

Каталог. Вентиляционное оборудование.



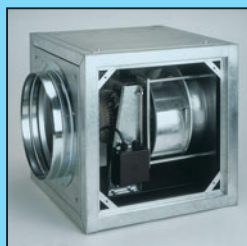
По вопросам продаж и поддержки обращайтесь:

Архангельск (8182)63-90-72
Астана +7(7172)727-132
Белгород (4722)40-23-64
Брянск (4832)59-03-52
Владивосток (423)249-28-31
Волгоград (844)278-03-48
Вологда (8172)26-41-59
Воронеж (473)204-51-73
Екатеринбург (343)384-55-89
Иваново (4932)77-34-06
Ижевск (3412)26-03-58
Казань (843)206-01-48

Калининград (4012)72-03-81
Калуга (4842)92-23-67
Кемерово (3842)65-04-62
Киров (8332)68-02-04
Краснодар (861)203-40-90
Красноярск (391)204-63-61
Курск (4712)77-13-04
Липецк (4742)52-20-81
Магнитогорск (3519)55-03-13
Москва (495)268-04-70
Мурманск (8152)59-64-93
Набережные Челны (8552)20-53-41

Нижний Новгород (831)429-08-12
Новокузнецк (3843)20-46-81
Новосибирск (383)227-86-73
Орел (4862)44-53-42
Оренбург (3532)37-68-04
Пенза (8412)22-31-16
Пермь (342)205-81-47
Ростов-на-Дону (863)308-18-15
Рязань (4912)46-61-64
Самара (846)206-03-16
Санкт-Петербург (812)309-46-40
Саратов (845)249-38-78

Смоленск (4812)29-41-54
Сочи (862)225-72-31
Ставрополь (8652)20-65-13
Тверь (4822)63-31-35
Томск (3822)98-41-53
Тула (4872)74-02-29
Тюмень (3452)66-21-18
Ульяновск (8422)24-23-59
Уфа (347)229-48-12
Челябинск (351)202-03-61
Череповец (8202)49-02-64
Ярославль (4852)69-52-93



| | |
|--------------------|-----------|
| TD | 2 |
| VENT | 8 |
| IBF | 12 |
| CVAB/CVAT | 17 |
| DH | 19 |
| RH | 21 |
| RCS | 23 |
| DF | 24 |
| DFK... + EU | 25 |
| ACOP PL | 26 |
| CAR | 27 |

In-Line Fans

Axial-flow Fans Wall Versions

Axial-flow Fans Cased Versions

Roof Fans

Fans "ATEX"

Centrifugal Fans VISP/VASP

Centrifugal Fans

Side Channel Blowers

Chip Extractors

Domestic Fans

Accessories

Electric Diagrams

General Information

Index



Construction

TD - the new generation of In-Line fans suit 6 different standard ducts (Ø100-400mm). Max flow 5100m³/h and max pressure 950Pa. The TD-fans are suitable for close-installation to ceilings, walls and to joists and they also are aesthetical attractive. The TD-fans can be horizontal or vertical installed.

The TD-fans can easily be dismantled for cleaning and service by loosen 2 binding clips without affecting the ducting.

The switch connector is mounted on the outside for easy electrical installation. TD-160, 250, 350, 500 and TD-800 have casing in reinforced plastic, TD-1000, 1300, 2000, 4000 and TD-6000 have casing in painted steel sheet. TD-160, 250, 350, 500 and TD-800 have impellers made of tough ABS plastic, TD-800N, 1000, 1300 2000, 4000 and TD-6000 have impellers made of aluminium sheet. All impellers are easy to dismount.



Motor

TD-160, 250 and TD-350:

220-240V, 50Hz single-phase asynchronous motor with built in fuse in the winding. Enclosure IP44. The motors are equipped with sleeve bearings and winded for 2 speeds, i.e. with a two-pole switch, one high speed (HF) and one low speed (LF) is obtained.

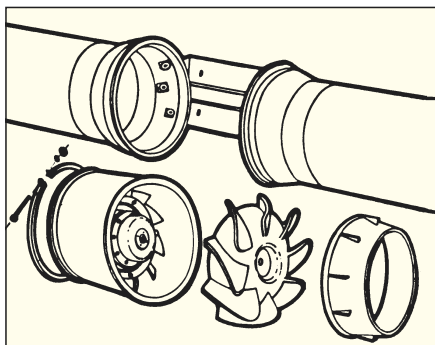
TD-500, 800, 1000, 1300 and TD-2000:

220-240V, 50Hz single-phase asynchronous motor with built in thermal protection (manually reset thermal contact can be supplied). Enclosure IP44. The motors are equipped with ball bearing and winded for 2 speeds, i.e. with a two-pole switch, one high speed (HF) and one low speed (LF) is obtained.

TD-4000 and TD-6000:

220-240V, 50Hz single-phase asynchronous motor with built in thermal protection (manually reset thermal contact can be supplied). Enclosure IP44. The motors are equipped with ball bearing.

Wiring diagram, see page 234.



Accessories

The TD-fans can be equipped with following:

- 2 speed switches
- Electronic regulator for variable speed control

Accessories



Duct filter DF page 24



Duct filter DFK page 25



Duct heater DH page 19



Backdraught shutter CAR page 27



Ativib. coupling ACOP PL page 26



Speed switch REGUL-2 page 230



Speed control REB page 230



Speed control RMB page 230



Humidistat HIG-2 page 231



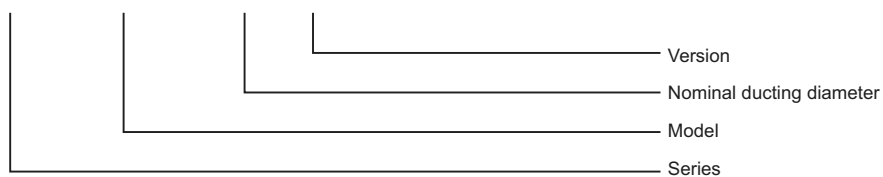
Air quality sensor SQA page 231



Thermostat TS, TK page 231

Model numbering system

TD - 800 / 200 N



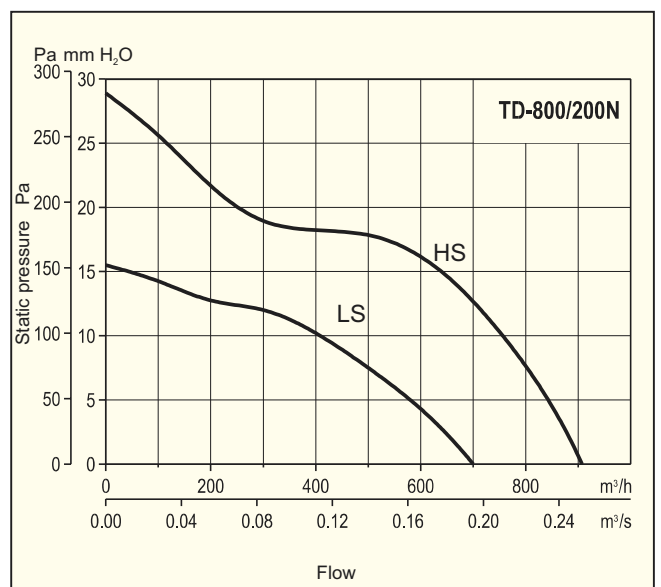
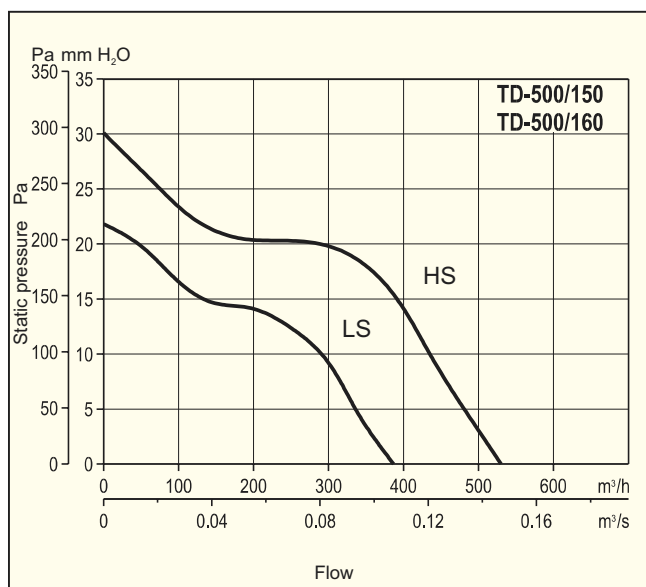
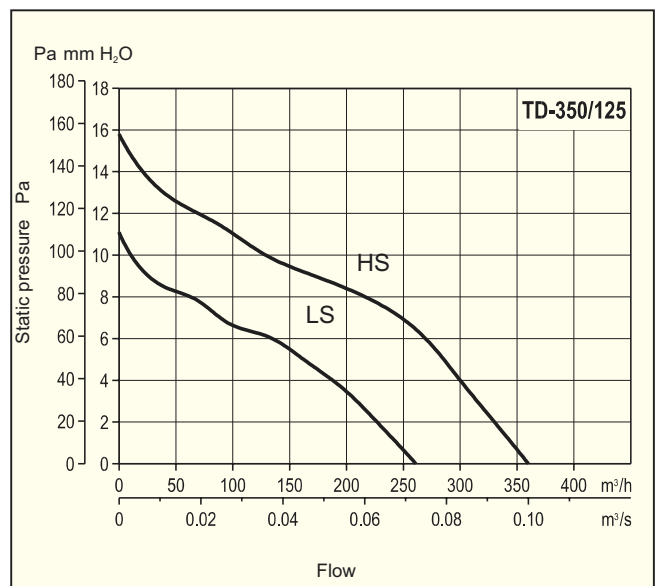
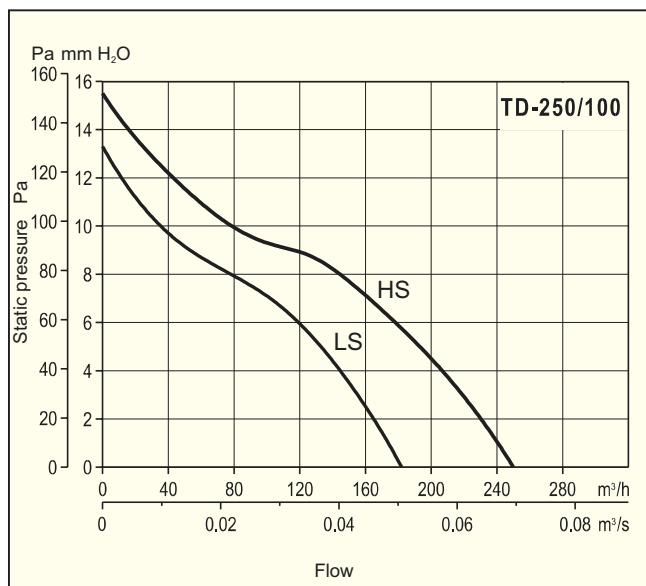
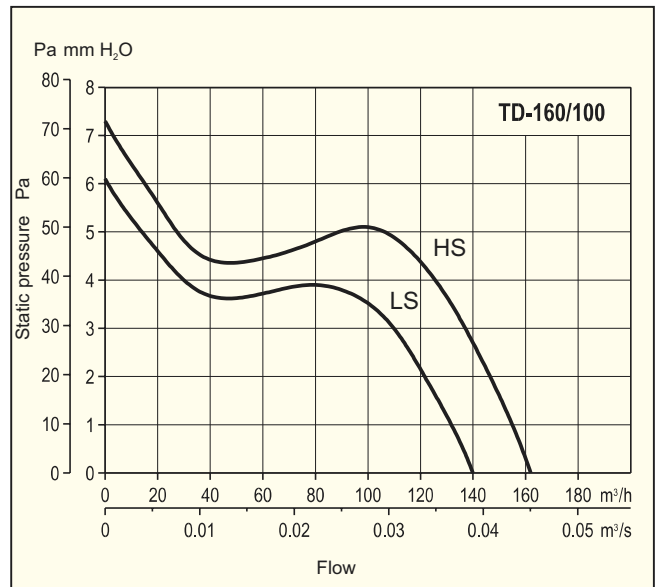
Data

| Type | Speed Rpm | Maximum power absorbed W | Maximum current A | Maximum duty m ³ /h | Maximum temperature °C | Sound level dB (A) | Weight kg | Article number |
|--------------------|------------------------|--------------------------------|-------------------------|--------------------------------------|------------------------------|--------------------------|--------------|------------------------|
| TD-160/100 | 2500 (HS) 2200 (LS) | 35 16 | 0,16 0,10 | 180 160 | -20 +40 | 29 26 | 1,4 | 112202061 |
| TD-250/100 | 2200 (HS) 1850 (LS) | 24 18 | 0,11 0,10 | 240 180 | -20 +40 | 31 26 | 2,0 | 112202065 |
| TD-350/125 | 2250 (HS) 1900 (LS) | 30 22 | 0,13 0,10 | 360 280 | -20 +40 | 33 28 | 2,0 | 112202073 |
| TD-500/ 150 160 | 2500 (HS) 1950 (LS) | 50 44 | 0,22 0,19 | 580 430 | -40 +60 | 33 29 | 2,7 | 112202104 112202102 |
| TD-800/200N | 2780 (HS) 2480 (LS) | 70 60 | 0,30 0,26 | 880 700 | -40 +60 | 37 33 | 4,9 | 112202153 |
| TD-800/200 | 2500 (HS) 2000 (LS) | 120 100 | 0,50 0,45 | 1100 800 | -40 +60 | 39 33 | 4,9 | 112202152 |
| TD-1000/250 | 2800(HS) 2610(LS) | 125 85 | 0,50 0,35 | 1010 900 | -40 +60 | 40 38 | 9,4 | 112202201 |
| TD-1300/250 | 2520 (HS) 2000 (LS) | 180 140 | 0,80 0,60 | 1300 1100 | -40 +60 | 43 39 | 9,4 | 112202221 |
| TD-2000/315 | 2700 (HS) 2000 (LS) | 255 160 | 1,20 0,80 | 2000 1550 | -40 +60 | 47 42 | 14,0 | 112202251 |
| TD-4000/355 | 1400 | 345 | 1,53 | 3800 | -20 +40 | 44 | 19,0 | 112202240 |
| TD-6000/400 | 1400 | 665 | 2,97 | 5500 | -20 +40 | 44 | 26,0 | 112202260 |

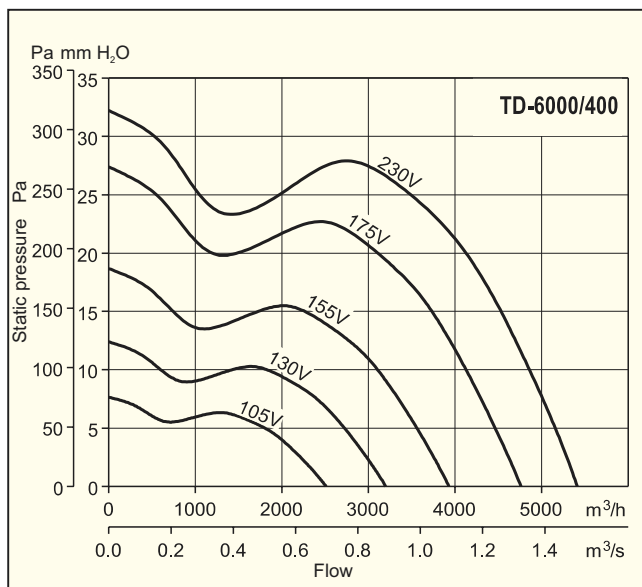
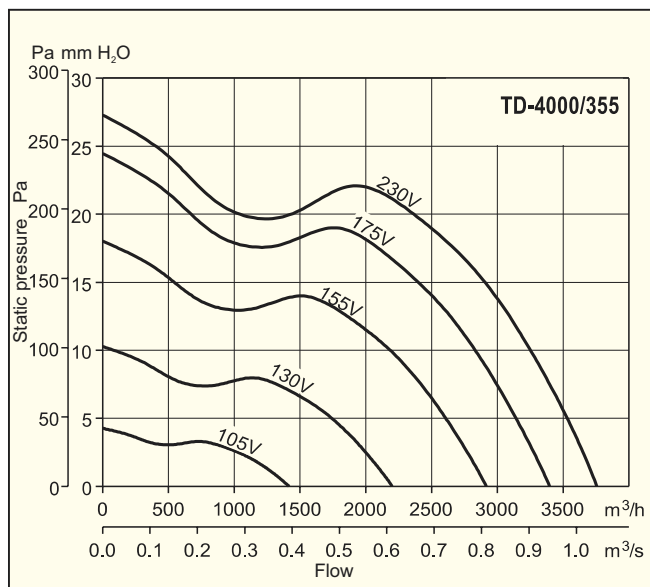
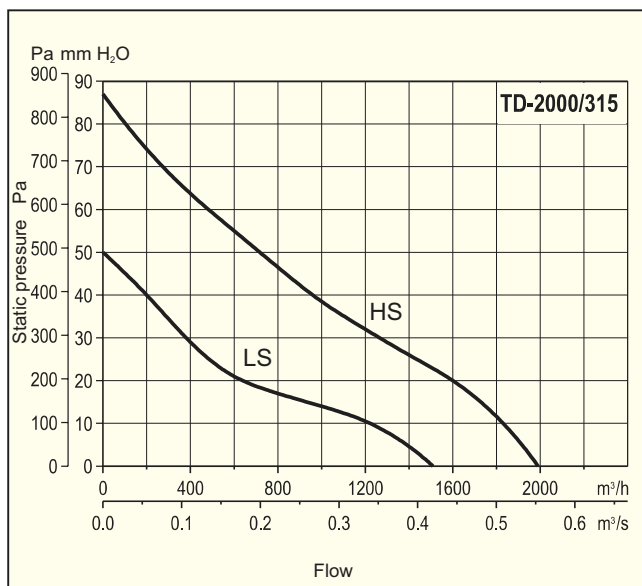
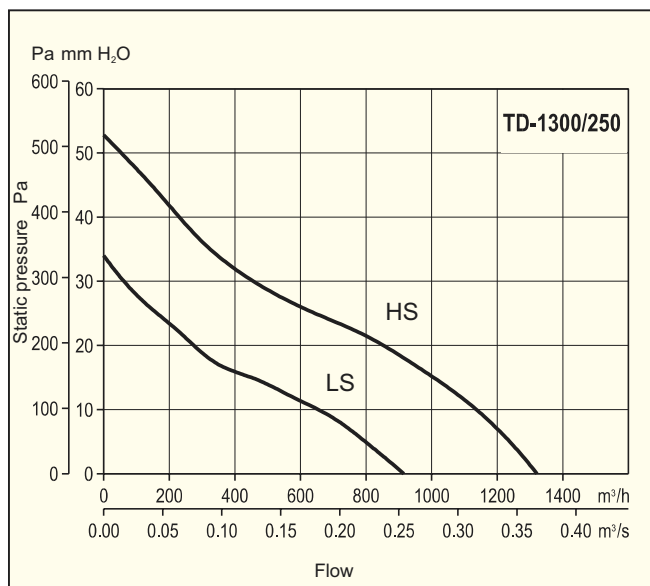
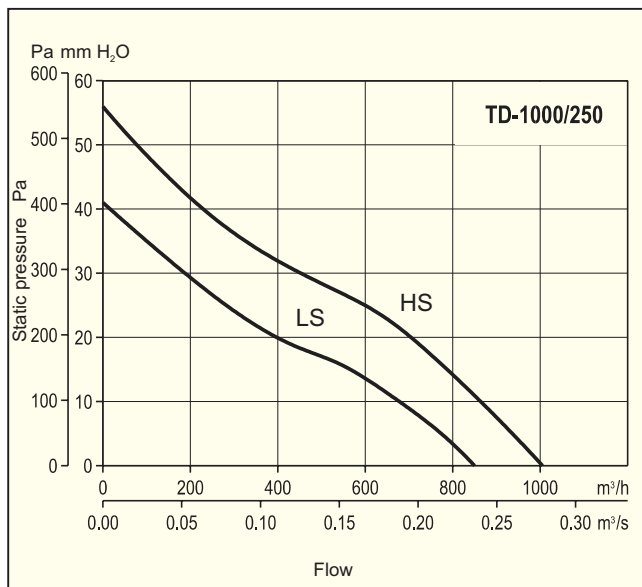
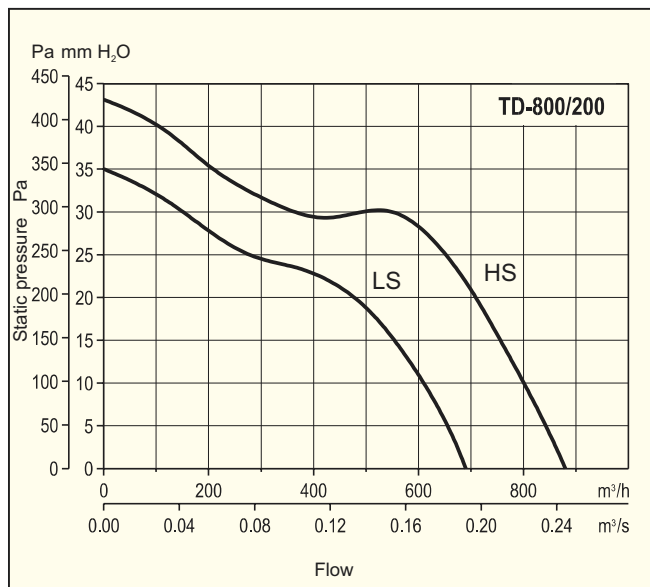
Performance curves

HS - High speed

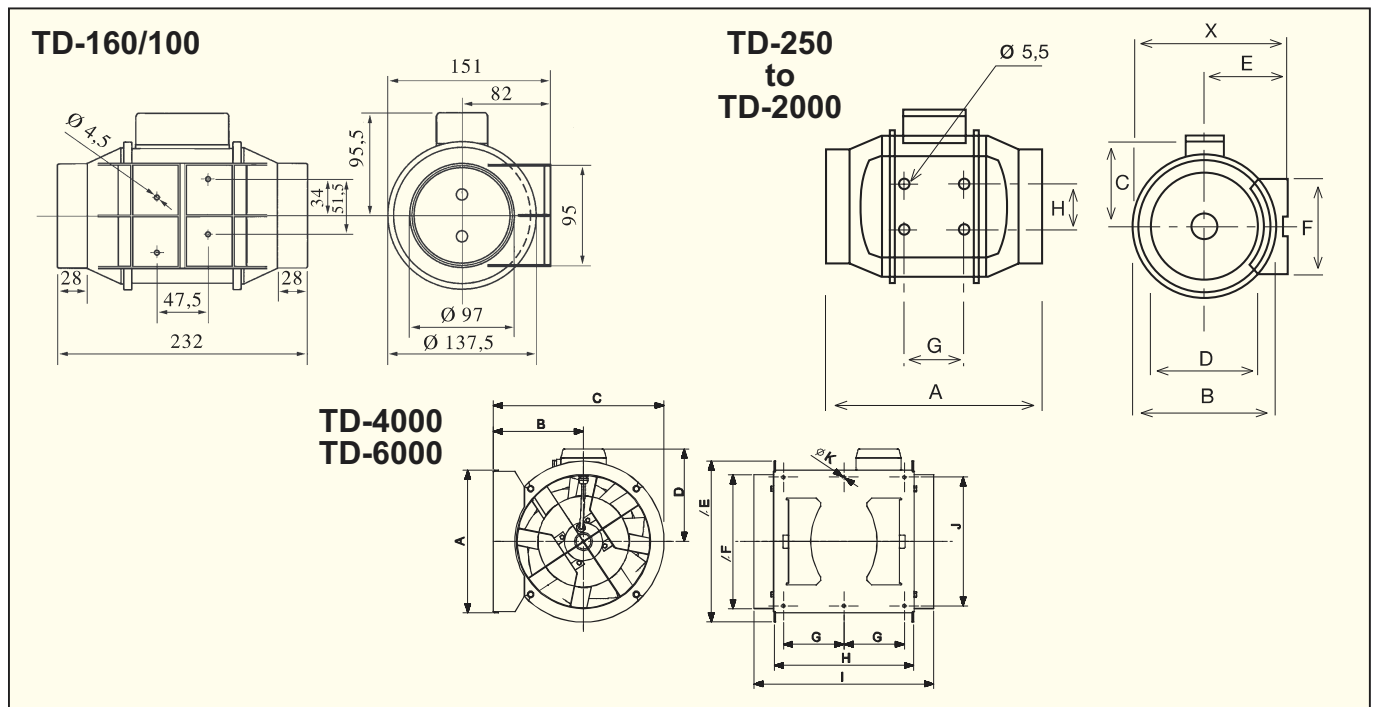
LS - Low speed



Performance curves



Dimensions in mm



| Type | X | A | ØB | C | ØD | E | F | G | H |
|-------------|-------|-----|-----|-----|-----|-----|-----|-----|-----|
| TD-250/100 | 188 | 303 | 176 | 115 | 97 | 100 | 90 | 80 | 60 |
| TD-350/125 | 188 | 258 | 176 | 115 | 123 | 100 | 90 | 80 | 60 |
| TD-500/150 | 212 | 295 | 200 | 127 | 147 | 112 | 130 | 80 | 60 |
| TD-500/160 | 212 | 275 | 200 | 127 | 157 | 112 | 130 | 80 | 60 |
| TD-800/200N | 232,5 | 302 | 217 | 141 | 198 | 124 | 140 | 100 | 94 |
| TD-800/200 | 232,5 | 302 | 217 | 141 | 198 | 124 | 140 | 100 | 94 |
| TD-1000/250 | 291 | 386 | 272 | 192 | 248 | 155 | 168 | 145 | 140 |
| TD-1300/250 | 291 | 386 | 272 | 192 | 248 | 155 | 168 | 145 | 140 |
| TD-2000/315 | 356 | 450 | 336 | 224 | 312 | 188 | 210 | 182 | 178 |

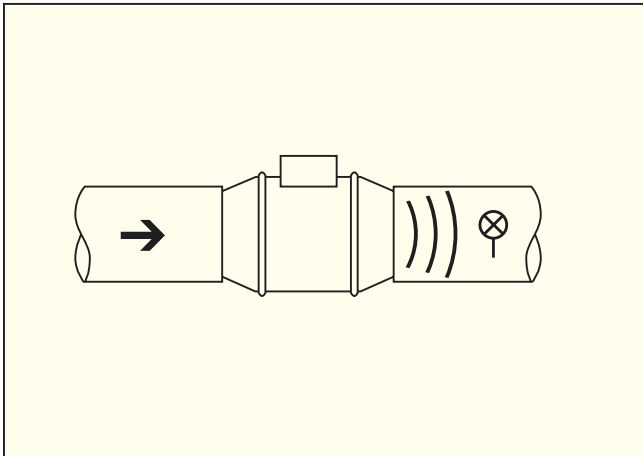
| Type | A | B | C | D | ØE | ØF | G | H | I | J | ØK |
|-------------|-----|-----|-----|-----|-----|-----|-----|-----|-----|-----|-----|
| TD-4000/355 | 377 | 238 | 451 | 224 | 426 | 354 | 150 | 368 | 474 | 340 | 8,5 |
| TD-6000/400 | 407 | 249 | 492 | 267 | 487 | 399 | 160 | 425 | 547 | 370 | 8,5 |

Construction

| | | 160 | 250 | 350 | 500 | 800 | 800N | 1000 | 1300 | 2000 | 4000 | 6000 |
|-----------------------------|---------------|-----|-----|-----|-----|-----|------|------|------|------|------|------|
| Casing | polipropylene | • | • | • | • | • | • | | | | | |
| | steel | | | | | | | • | • | • | • | • |
| Impeller | ABS | • | • | • | • | • | | | | | | |
| | aluminium | | | | | | • | • | • | • | • | • |
| Electrical insulation | | II | II | II | II | II | II | I | I | I | I | I |
| Thermal overload protection | fuse type | • | • | • | | | | | | | | |
| | automatic | | | | • | • | • | • | • | • | • | • |
| Ball bearings | | • | • | • | • | • | • | • | • | • | • | • |
| Speed control | 1-speed | | | | | | | | | | • | • |
| | 2-speed | • | • | • | • | • | • | • | • | • | | |

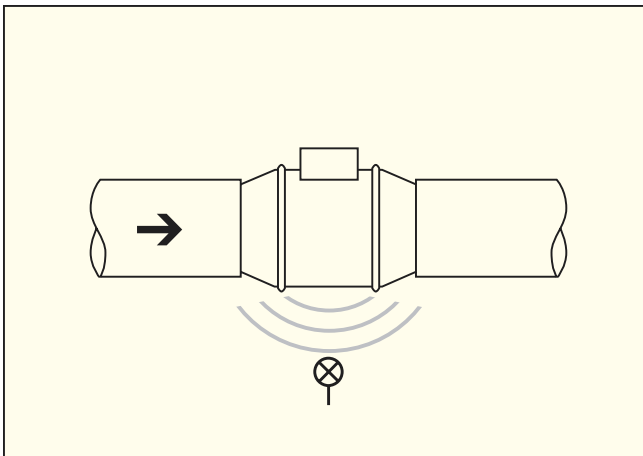
Acoustic performance characteristics

Sound power level spectrum (dB (A)) at octave average frequencies (Hz), measured at fan discharge.



| Frequency dB (A) \ Hz | 63 | 125 | 250 | 500 | 1000 | 2000 | 4000 | 8000 |
|--------------------------|----|-----|-----|-----|------|------|------|------|
| TD-160/100 | 30 | 30 | 39 | 49 | 52 | 42 | 37 | 27 |
| TD-250/100 | 28 | 47 | 46 | 53 | 52 | 47 | 39 | 33 |
| TD-350/125 | 35 | 47 | 46 | 53 | 54 | 50 | 41 | 33 |
| TD-500/150 | 32 | 35 | 55 | 57 | 59 | 62 | 56 | 48 |
| TD-500/160 | 32 | 35 | 55 | 57 | 59 | 62 | 56 | 48 |
| TD-800/200N | 37 | 42 | 62 | 64 | 66 | 64 | 60 | 52 |
| TD-800/200 | 37 | 47 | 61 | 63 | 68 | 67 | 64 | 54 |
| TD-1000/250 | 35 | 45 | 58 | 66 | 72 | 69 | 62 | 54 |
| TD-1300/250 | 37 | 52 | 64 | 67 | 75 | 73 | 66 | 61 |
| TD-2000/315 | 41 | 57 | 66 | 71 | 77 | 74 | 67 | 62 |
| TD-4000/355 | 40 | 49 | 61 | 66 | 73 | 70 | 66 | 57 |
| TD-6000/400 | 43 | 56 | 67 | 72 | 76 | 74 | 69 | 60 |

Acoustic power level spectrum (dB (A)) at octave average frequencies (Hz), measured outside fan casing.



| Frequency dB (A) \ Hz | 63 | 125 | 250 | 500 | 1000 | 2000 | 4000 | 8000 |
|--------------------------|----|-----|-----|-----|------|------|------|------|
| TD-160/100 | 30 | 29 | 37 | 47 | 43 | 39 | 33 | 24 |
| TD-250/100 | 27 | 46 | 45 | 44 | 43 | 43 | 32 | 25 |
| TD-350/125 | 33 | 46 | 46 | 47 | 47 | 45 | 33 | 24 |
| TD-500/150 | 25 | 32 | 43 | 39 | 44 | 53 | 42 | 29 |
| TD-500/160 | 25 | 32 | 43 | 39 | 44 | 53 | 42 | 29 |
| TD-800/200N | 26 | 32 | 48 | 47 | 52 | 53 | 44 | 31 |
| TD-800/200 | 29 | 36 | 47 | 46 | 54 | 57 | 48 | 33 |
| TD-1000/250 | 23 | 34 | 44 | 46 | 58 | 57 | 46 | 43 |
| TD-1300/250 | 22 | 36 | 39 | 47 | 60 | 59 | 52 | 47 |
| TD-2000/315 | 29 | 41 | 52 | 55 | 64 | 63 | 57 | 53 |
| TD-4000/355 | 31 | 49 | 55 | 55 | 63 | 57 | 51 | 40 |
| TD-6000/400 | 30 | 53 | 59 | 55 | 61 | 55 | 54 | 45 |



VENT 100 to VENT 315

Construction

In-Line fans designed for circular ducting Ø100 to Ø315mm. Casing in galvanized steel sheet, impeller with backward curved blades. Balanced according to ISO 1940.

Motor

Single-phase, external rotor motor with ball bearing, 220-240V, 50/60Hz with permanent capacitor, self-resetting thermal protection and jack panel. Enclosure IP44, insulation class B.

VENT-355L-T and VENT-400L-T has three phase motor with ball bearings, 230/400V, 50/60Hz.

Wiring diagram, see page 236.



VENT 355 and VENT 400

Accessories



Duct filter
DF
page 24



Duct filter
DFK
page 25



Duct heater
DH
page 19



Backdraught
shutter CAR
page 27



Antivib. coupling
ACOP PL
page 26



2-speed switch
REB
page 230



Speed controller
RMB
page 230



Humidistat
HIG-2
page 231



Air quality sensor
SQA
page 231



Thermostat
TS, TK
page 231

Technical specification

| Type | Voltage V | Speed rpm | Maximum power W | Maximum current A | Maximum duty m³/h | Sound pressure level* dB(A) | Maximum temperature °C | Weight kg | Article number |
|-------------|--------------|--------------|--------------------|----------------------|----------------------|--------------------------------|---------------------------|--------------|----------------|
| VENT-100B | 230 | 2100 | 48 | 0,22 | 235 | 38 | 40 | 3 | 112 208 103 |
| VENT-100L | 230 | 2500 | 78 | 0,33 | 290 | 47 | 60 | 3 | 112 208 101 |
| VENT-125B | 230 | 1900 | 44 | 0,21 | 280 | 39 | 40 | 3 | 112 208 107 |
| VENT-125L | 230 | 2450 | 80 | 0,35 | 410 | 47 | 60 | 3 | 112 208 105 |
| VENT-150B | 230 | 2100 | 70 | 0,30 | 560 | 46 | 60 | 5 | 112 208 132 |
| VENT-150L | 230 | 2700 | 120 | 0,53 | 700 | 50 | 60 | 5 | 112 208 130 |
| VENT-160B | 230 | 2200 | 70 | 0,30 | 600 | 45 | 60 | 5 | 112 208 112 |
| VENT-160L | 230 | 2750 | 130 | 0,55 | 760 | 51 | 60 | 5 | 112 208 110 |
| VENT-200B | 230 | 2250 | 125 | 0,50 | 830 | 47 | 60 | 5 | 112 208 117 |
| VENT-200L | 230 | 2600 | 170 | 0,72 | 1000 | 52 | 60 | 5 | 112 208 115 |
| VENT-250B | 230 | 2300 | 130 | 0,55 | 935 | 49 | 60 | 6 | 112 208 122 |
| VENT-250L | 230 | 2750 | 180 | 0,80 | 1100 | 54 | 60 | 6 | 112 208 120 |
| VENT-315B | 230 | 2300 | 235 | 1,00 | 1440 | 52 | 50 | 8 | 112 208 127 |
| VENT-315L | 230 | 2700 | 350 | 1,45 | 1890 | 55 | 50 | 8 | 112 208 125 |
| VENT-355L | 230 | 1350 | 280 | 1,20 | 2650 | 60 | 40 | 17 | 112 208 135 |
| VENT-400L | 230 | 1250 | 400 | 1,60 | 3380 | 61 | 40 | 22 | 112 208 140 |
| VENT-355L-T | 230/400 | 1375 | 290 | 1,4/0,8 | 2650 | 60 | 40 | 17 | 112 208 137 |
| VENT-400L-T | 230/400 | 1360 | 450 | 1,9/1,1 | 3380 | 61 | 40 | 22 | 112 208 142 |

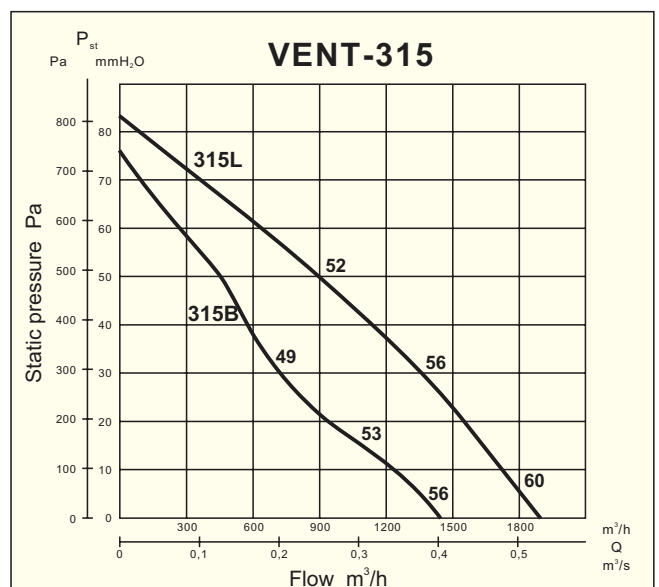
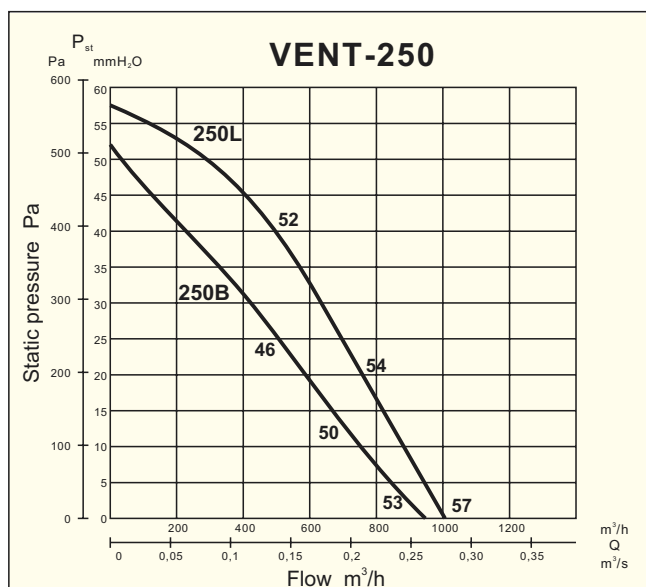
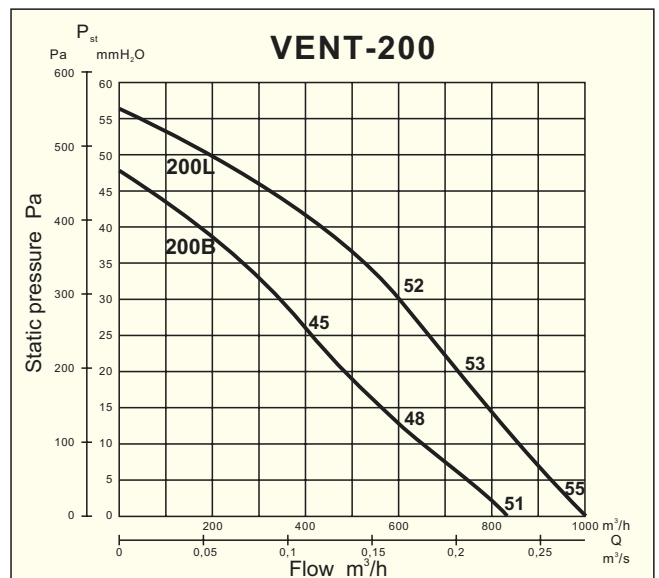
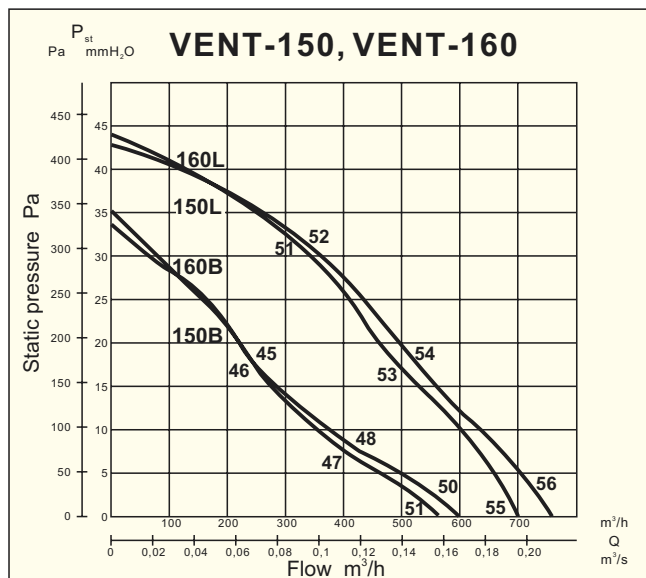
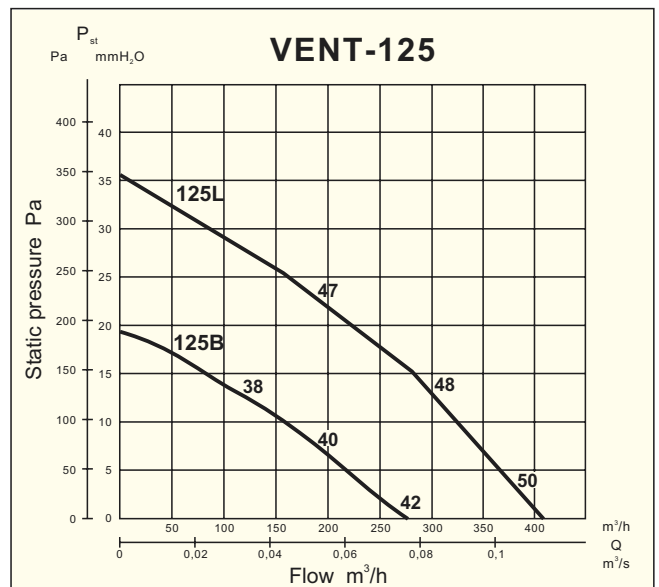
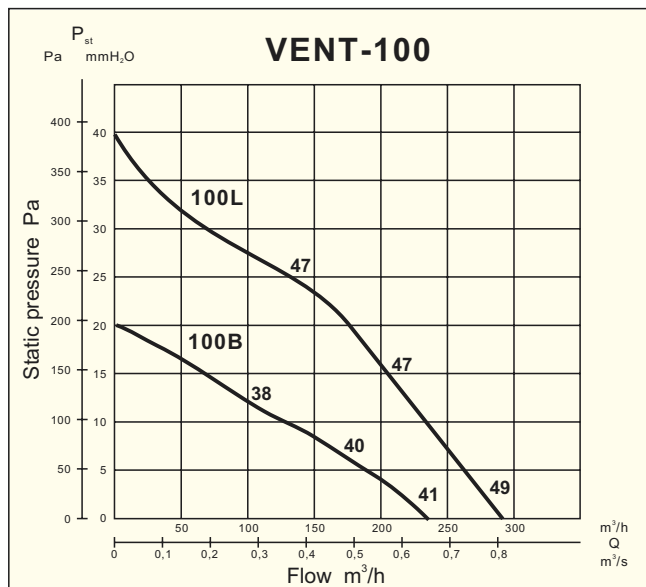
* - 3m distance with fan ducted.

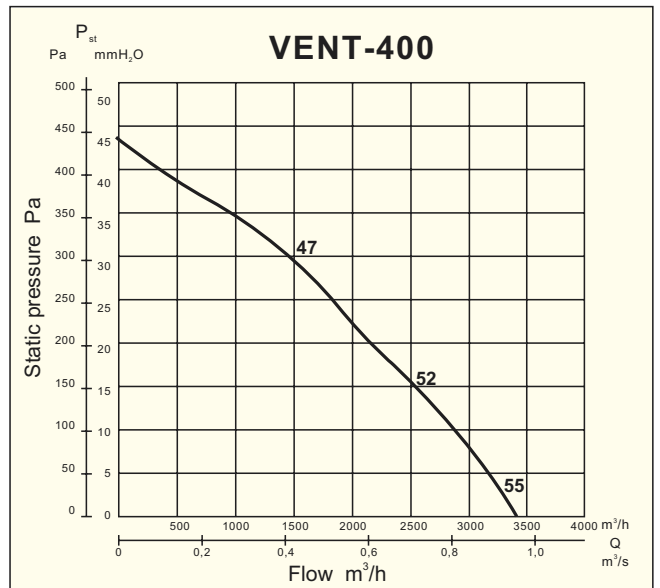
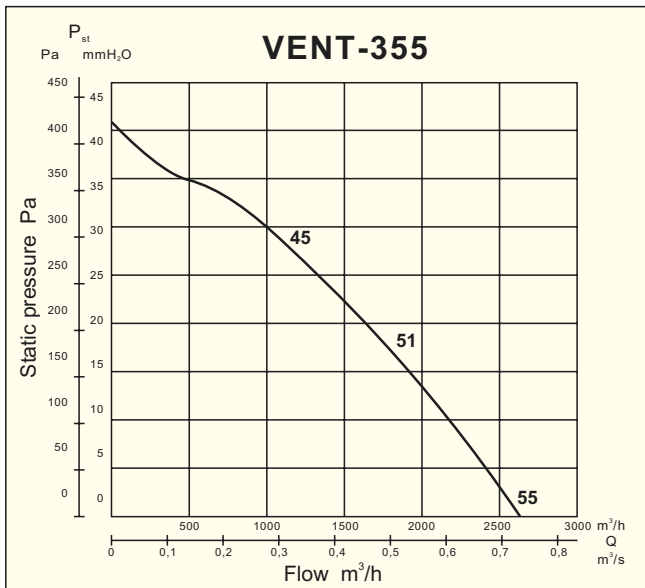
Acoustics performance characteristics

| Type | LwA | 63 | 125 | 250 | 500 | 1000 | 2000 | 4000 | 8000 | TOT |
|------|----------|----|-----|-----|-----|------|------|------|------|-----|
| 100L | inlet | 44 | 53 | 63 | 60 | 67 | 61 | 52 | 41 | 70 |
| | outlet | 42 | 48 | 67 | 61 | 63 | 61 | 55 | 44 | 70 |
| | radiated | 42 | 44 | 53 | 51 | 46 | 45 | 40 | 33 | 56 |
| 100B | inlet | 37 | 43 | 54 | 49 | 59 | 54 | 48 | 39 | 61 |
| | outlet | 38 | 42 | 56 | 48 | 53 | 53 | 49 | 38 | 60 |
| | radiated | 36 | 33 | 32 | 36 | 40 | 38 | 34 | 26 | 45 |
| 125L | inlet | 38 | 47 | 59 | 67 | 65 | 62 | 56 | 44 | 70 |
| | outlet | 38 | 45 | 61 | 64 | 63 | 63 | 56 | 46 | 69 |
| | radiated | 37 | 43 | 45 | 51 | 47 | 45 | 42 | 33 | 54 |
| 125B | inlet | 33 | 43 | 55 | 57 | 57 | 55 | 51 | 41 | 62 |
| | outlet | 34 | 41 | 57 | 53 | 55 | 56 | 52 | 41 | 62 |
| | radiated | 34 | 36 | 35 | 38 | 41 | 39 | 37 | 28 | 46 |
| 150L | inlet | 40 | 45 | 63 | 73 | 69 | 64 | 61 | 46 | 75 |
| | outlet | 40 | 45 | 63 | 66 | 67 | 64 | 61 | 47 | 72 |
| | radiated | 40 | 37 | 46 | 59 | 51 | 50 | 43 | 30 | 60 |
| 150B | inlet | 36 | 44 | 58 | 70 | 64 | 60 | 56 | 40 | 71 |
| | outlet | 36 | 43 | 55 | 62 | 62 | 59 | 56 | 40 | 67 |
| | radiated | 36 | 38 | 40 | 53 | 46 | 45 | 41 | 29 | 55 |
| 160L | inlet | 39 | 45 | 63 | 74 | 70 | 67 | 63 | 48 | 77 |
| | outlet | 43 | 45 | 61 | 67 | 68 | 65 | 62 | 49 | 72 |
| | radiated | 43 | 36 | 44 | 60 | 52 | 51 | 45 | 32 | 61 |
| 160B | inlet | 35 | 41 | 56 | 69 | 63 | 60 | 56 | 42 | 71 |
| | outlet | 35 | 42 | 54 | 63 | 61 | 59 | 57 | 42 | 67 |
| | radiated | 35 | 37 | 37 | 52 | 45 | 45 | 42 | 29 | 54 |

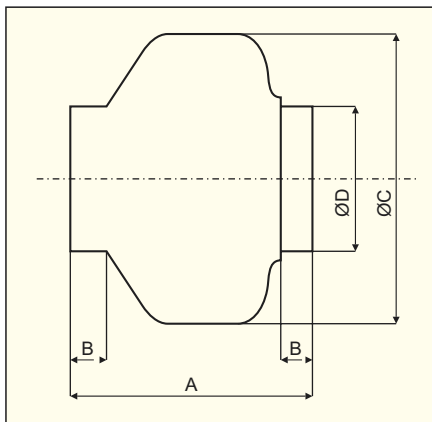
| Type | LwA | 63 | 125 | 250 | 500 | 1000 | 2000 | 4000 | 8000 | TOT |
|------|----------|----|-----|-----|-----|------|------|------|------|-----|
| 200L | inlet | 42 | 52 | 63 | 70 | 69 | 68 | 66 | 60 | 75 |
| | outlet | 43 | 51 | 63 | 70 | 69 | 69 | 68 | 59 | 75 |
| | radiated | 43 | 48 | 40 | 51 | 53 | 52 | 49 | 39 | 58 |
| 200B | inlet | 41 | 53 | 60 | 67 | 66 | 64 | 63 | 52 | 72 |
| | outlet | 42 | 51 | 61 | 65 | 66 | 66 | 65 | 53 | 72 |
| | radiated | 42 | 42 | 34 | 46 | 48 | 53 | 46 | 37 | 56 |
| 250L | inlet | 43 | 57 | 67 | 71 | 72 | 70 | 70 | 60 | 78 |
| | outlet | 42 | 53 | 67 | 73 | 75 | 75 | 72 | 62 | 80 |
| | radiated | 36 | 52 | 37 | 53 | 53 | 51 | 50 | 38 | 59 |
| 250B | inlet | 42 | 53 | 62 | 68 | 69 | 66 | 66 | 57 | 74 |
| | outlet | 39 | 48 | 62 | 70 | 70 | 69 | 67 | 59 | 76 |
| | radiated | 38 | 43 | 36 | 52 | 48 | 50 | 48 | 42 | 56 |
| 315L | inlet | 45 | 58 | 70 | 74 | 75 | 76 | 71 | 66 | 81 |
| | outlet | 57 | 58 | 72 | 76 | 77 | 77 | 72 | 68 | 83 |
| | radiated | 51 | 54 | 49 | 56 | 61 | 59 | 56 | 48 | 65 |
| 315B | inlet | 44 | 59 | 68 | 70 | 71 | 70 | 67 | 60 | 77 |
| | outlet | 44 | 51 | 71 | 72 | 75 | 74 | 69 | 64 | 80 |
| | radiated | 43 | 43 | 47 | 50 | 52 | 55 | 53 | 43 | 59 |
| 355L | inlet | 40 | 57 | 68 | 71 | 71 | 67 | 59 | 48 | 76 |
| | outlet | 42 | 59 | 62 | 69 | 70 | 68 | 60 | 50 | 74 |
| | radiated | 41 | 55 | 43 | 50 | 55 | 51 | 42 | 29 | 59 |
| 400L | inlet | 42 | 61 | 69 | 72 | 67 | 66 | 63 | 50 | 76 |
| | outlet | 47 | 63 | 66 | 70 | 69 | 68 | 64 | 51 | 75 |
| | radiated | 45 | 58 | 45 | 52 | 52 | 50 | 46 | 30 | 61 |

Performance curves

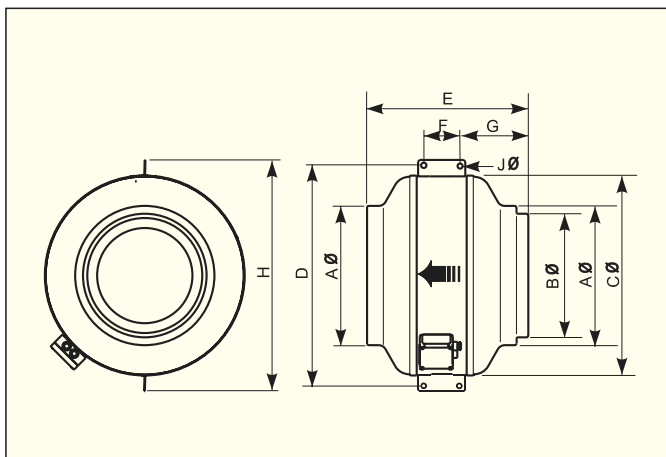




Dimensions in mm



| Type | A | B | ØC | ØD |
|----------|-----|----|-----|-----|
| VENT-100 | 194 | 23 | 243 | 98 |
| VENT-125 | 195 | 27 | 243 | 123 |
| VENT-150 | 214 | 24 | 333 | 147 |
| VENT-160 | 222 | 28 | 333 | 157 |
| VENT-200 | 223 | 25 | 333 | 198 |
| VENT-250 | 206 | 27 | 333 | 248 |
| VENT-315 | 230 | 25 | 401 | 312 |



| Type | A | B | C | D | E | F | G | H | J |
|----------|-----|-----|-----|-----|-----|-----|-----|-----|------|
| VENT-355 | 354 | 314 | 508 | 583 | 410 | 100 | 170 | 587 | 10,5 |
| VENT-400 | 399 | 354 | 568 | 623 | 441 | 100 | 185 | 647 | 10,5 |



Construction

In-line fan designed for installation in rectangular ducting. Casing in welded steel sheet, powder coated. Backward curved impellers.

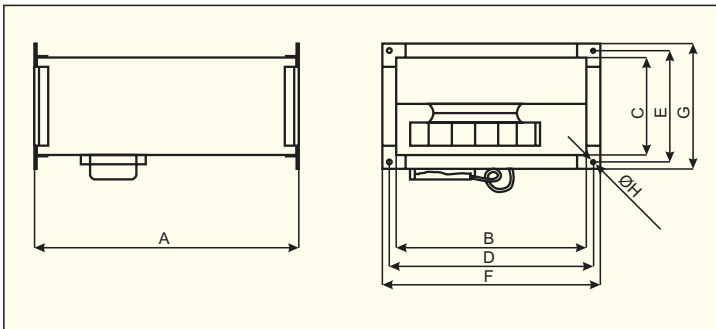
Motor

220-240V, 50Hz single-phase external rotor motor with capacitor suitable for speed control or 400V, 50Hz three phase. Enclosure IP44, insulation class B. Special voltage or frequency improved enclosure and motors with thermal protection may be supplied on request.

Wiring diagram, see page 236.



Dimensions in mm



| Type | A | B | C | D | E | F | G | ØH |
|------|------|------|-----|------|-----|------|-----|----|
| 190 | 402 | 298 | 148 | 320 | 170 | 340 | 190 | 9 |
| 220 | 502 | 398 | 198 | 420 | 220 | 440 | 240 | 9 |
| 280 | 532 | 498 | 248 | 520 | 270 | 540 | 290 | 9 |
| 315 | 565 | 500 | 298 | 522 | 320 | 540 | 338 | 9 |
| 355 | 725 | 600 | 348 | 622 | 370 | 640 | 388 | 9 |
| 400 | 725 | 600 | 348 | 622 | 370 | 640 | 388 | 9 |
| 450 | 725 | 700 | 400 | 722 | 422 | 740 | 440 | 9 |
| 500 | 880 | 800 | 500 | 822 | 522 | 840 | 540 | 9 |
| 560 | 1000 | 1000 | 500 | 1022 | 522 | 1040 | 540 | 9 |

Accessories



Electronic regulator REB page 230



Speed controller RMB page 230



Duct heater RH page 21

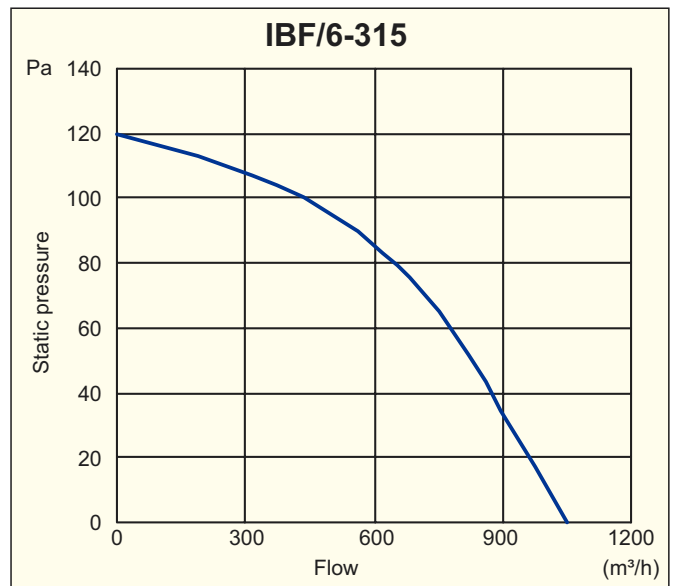
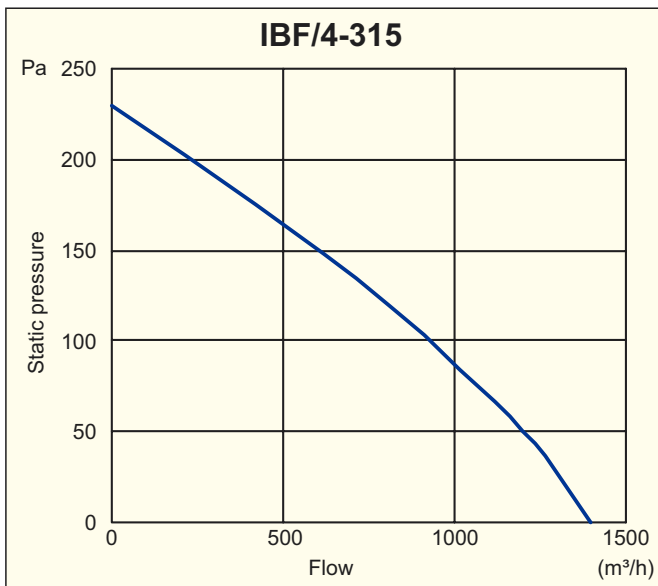
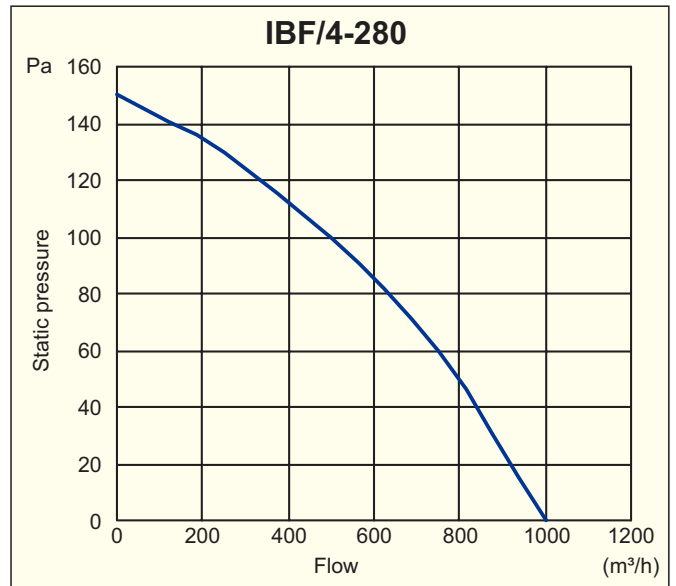
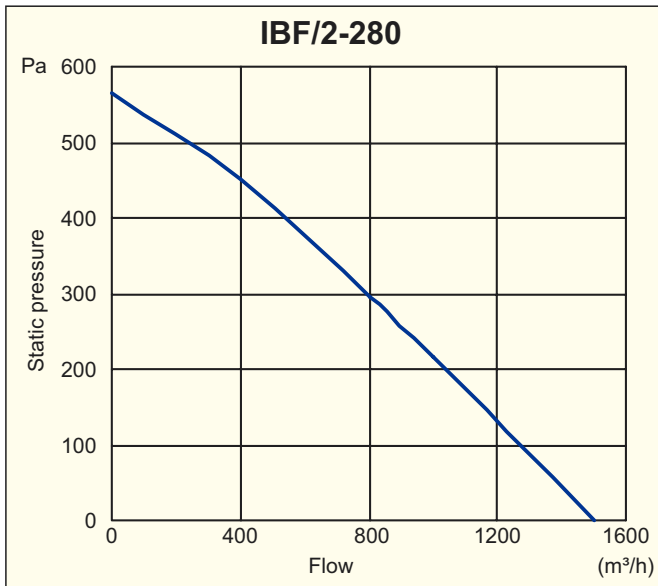
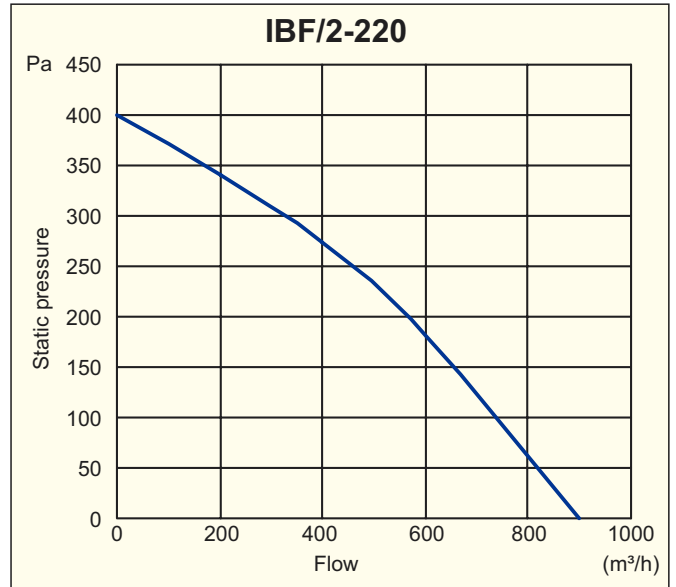
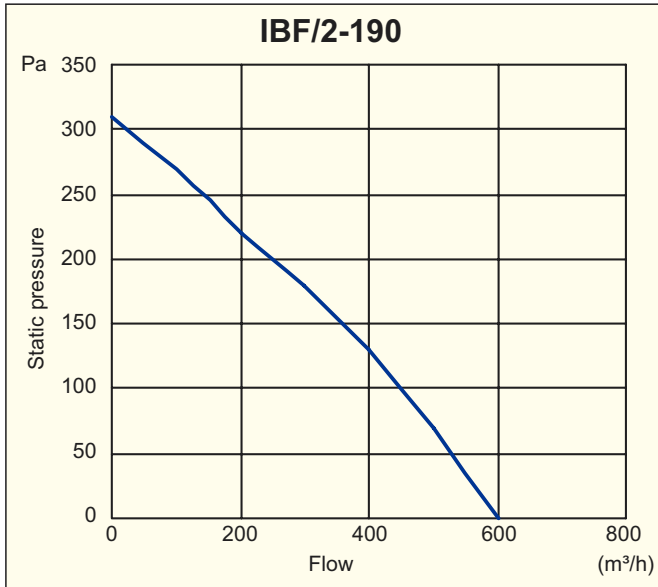


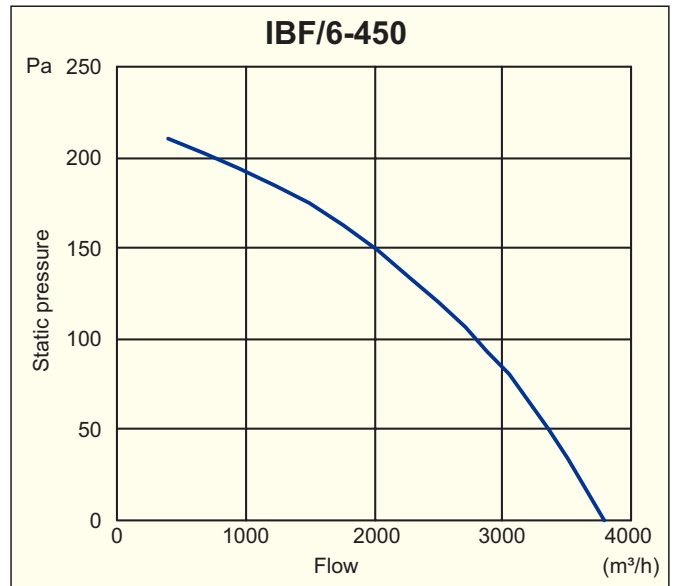
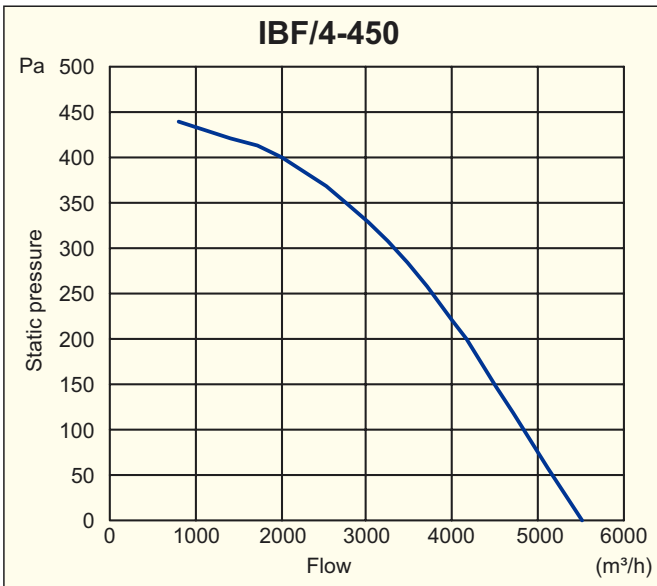
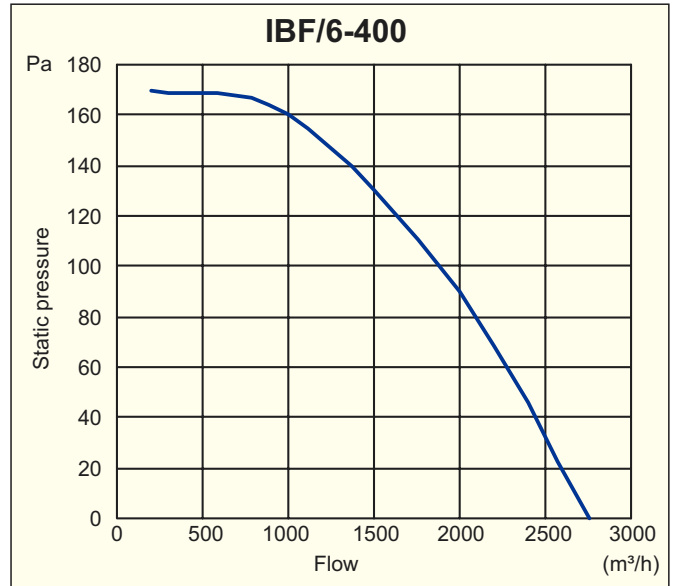
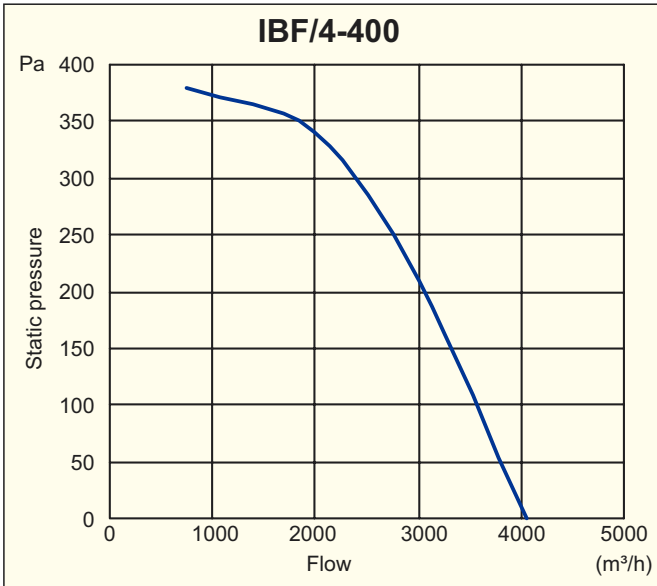
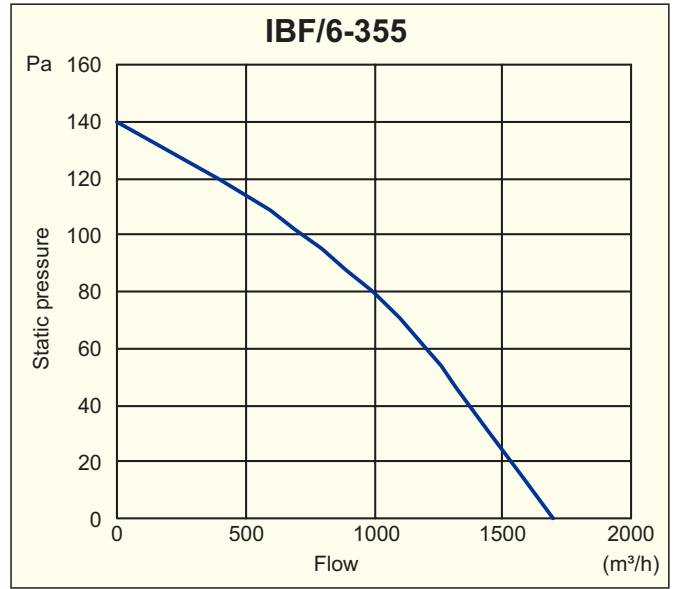
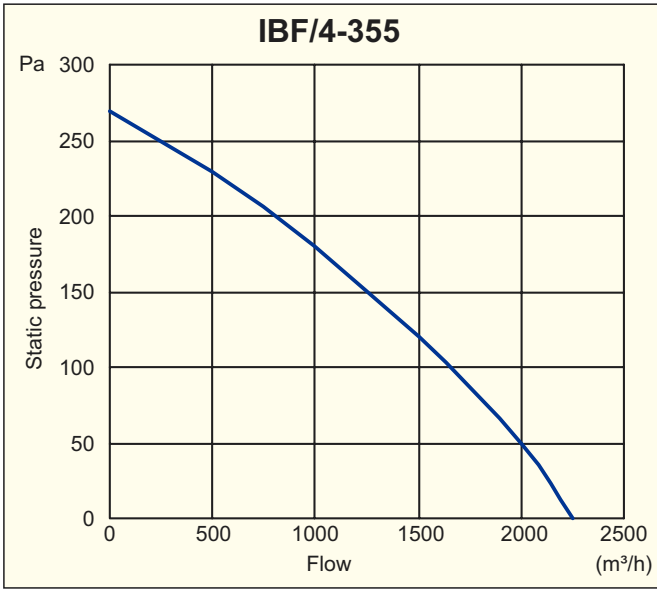
Silencer RCS page 23

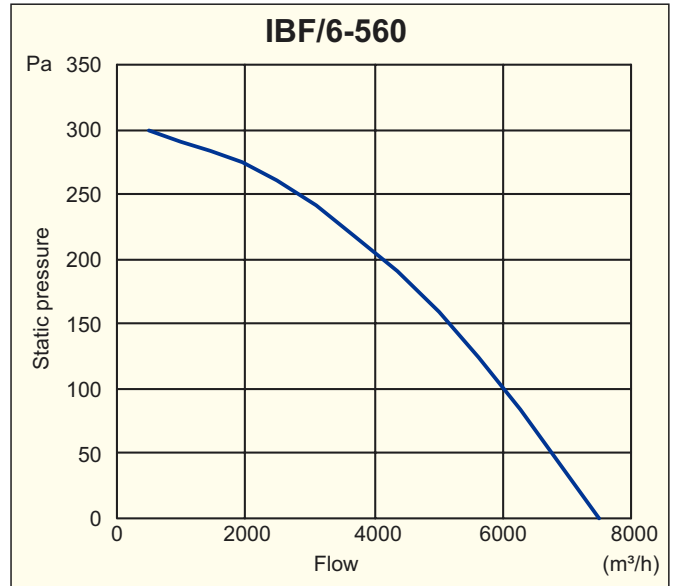
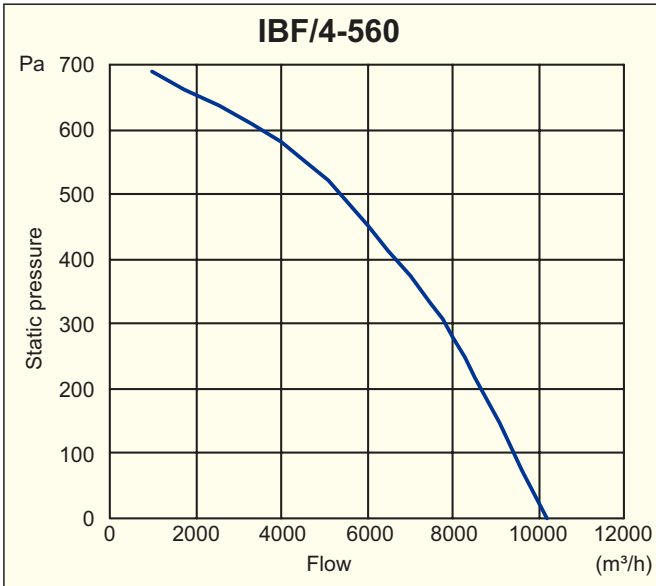
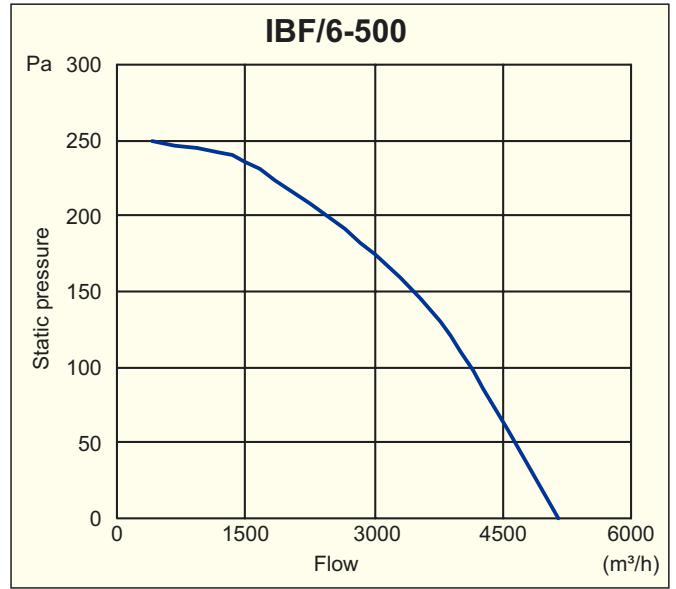
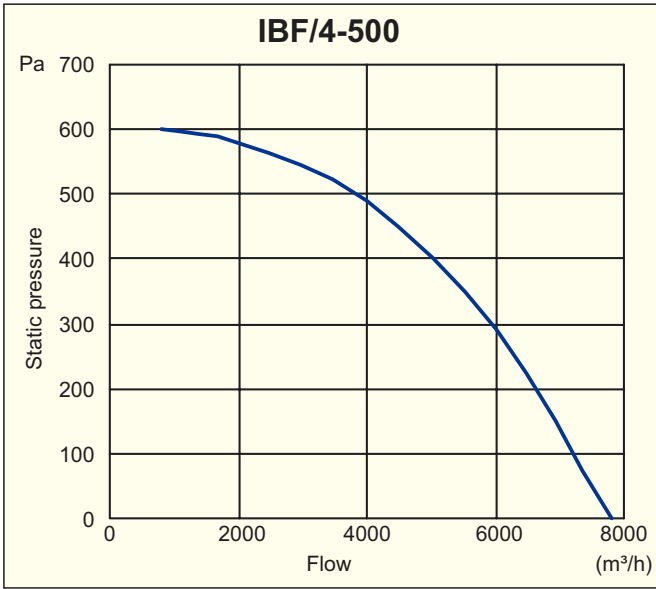
Data

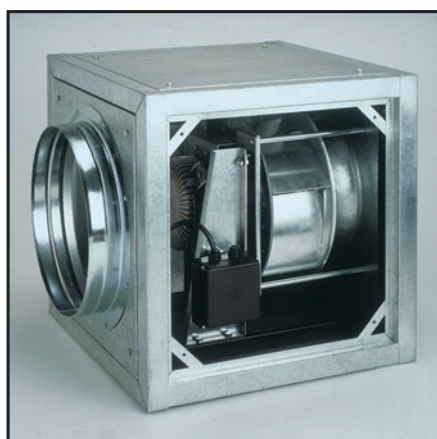
| Type | Motor power W | Speed rpm | Voltage V | Maximum current A | Maximum duty m³/h | Maximum pressure Pa | Sound pressure level dB(A) | Weight kg | Article number |
|------------|------------------|--------------|--------------|----------------------|----------------------|------------------------|-------------------------------|--------------|----------------|
| IBF/2-190 | 85 | 2400 | 230 | 0,34 | 600 | 300 | 64 | 7,5 | 113921100 |
| IBF/2-220 | 110 | 2790 | 230 | 0,53 | 900 | 400 | 71 | 12 | 113921200 |
| IBF/2-280 | 260 | 1850 | 230 | 1,1 | 1500 | 540 | 76 | 16 | 113921300 |
| IBF/4-280 | 90 | 1400 | 230 | 0,4 | 1000 | 150 | 61 | 15,5 | 113921400 |
| IBF/4-315S | 120 | 1440 | 230 | 0,56 | 1400 | 230 | 66 | 22 | 113921500 |
| IBF/4-355S | 230 | 1400 | 230 | 1,16 | 2250 | 270 | 68 | 33 | 113921600 |
| IBF/6-315S | 47 | 965 | 230 | 0,18 | 1050 | 120 | 51 | 22 | 113921550 |
| IBF/6-355S | 66 | 875 | 230 | 1,16 | 1700 | 140 | 55 | 33 | 113921650 |
| IBF/4-315T | 120 | 1400 | 400 | 0,48 | 1400 | 230 | 66 | 22 | 113921560 |
| IBF/4-355T | 230 | 1400 | 400 | 1,1 | 2250 | 270 | 68 | 33 | 113921660 |
| IBF/4-400S | 520 | 1355 | 230 | 2,2 | 4050 | 380 | 78 | 35 | 113921670 |
| IBF/4-400T | 460 | 1345 | 400 | 0,85 | 4050 | 380 | 78 | 35 | 113921680 |
| IBF/6-400S | 160 | 880 | 230 | 1,6 | 2750 | 170 | 67 | 35 | 113921690 |
| IBF/6-400T | 160 | 890 | 400 | 0,36 | 2750 | 170 | 67 | 35 | 113921700 |
| IBF/4-450S | 740 | 1280 | 230 | 3,2 | 5500 | 440 | 83 | 85 | 113921710 |
| IBF/4-450T | 690 | 1230 | 400 | 1,3 | 5500 | 440 | 83 | 85 | 113921720 |
| IBF/6-450S | 240 | 840 | 230 | 1,05 | 3800 | 210 | 74 | 85 | 113921730 |
| IBF/6-450T | 250 | 880 | 400 | 0,6 | 3800 | 210 | 74 | 85 | 113921740 |
| IBF/4-500S | 1300 | 1320 | 230 | 5,7 | 7800 | 600 | 83 | 122 | 113921750 |
| IBF/4-500T | 1200 | 1320 | 400 | 2,2 | 7800 | 600 | 83 | 117 | 113921760 |
| IBF/6-500S | 380 | 820 | 230 | 1,65 | 5150 | 250 | 73 | 110 | 113921770 |
| IBF/6-500T | 390 | 850 | 400 | 0,81 | 5150 | 250 | 73 | 110 | 113921780 |
| IBF/4-560T | 1800 | 1230 | 400 | 3,41 | 10200 | 690 | 88 | 155 | 113921790 |
| IBF/6-560S | 670 | 810 | 230 | 3 | 7500 | 300 | 78 | 155 | 113921800 |
| IBF/6-560T | 690 | 850 | 400 | 1,5 | 7500 | 300 | 78 | 150 | 113921810 |

Performance curves









Construction

In-line fan designed for installation in circular ducting from Ø200 to Ø710 mm. Insulated casing in galvanized steel sheet. Impeller in galvanized steel sheet with backward curved blades. Dynamic balanced according to ISO 1940.

Motor

220–240V, 50Hz single-phase or 230/400V, 50Hz three phase asynchronous motor, thermal protection with terminals of the thermal trip are brought out to the terminal box. Enclosure IP55 according to UNE 20–11 and IEC 34–5 (waterproof, dustproof design), insulation class F for environmental temperature +70°C. The motor is designed according to IEC 34–1 and dynamically balanced according to ISO 1940. Speed controllable by variation of the supply voltage by means of transformer or electrical regulator. Special voltage or frequency and improved enclosure can be supplied on request.

Wiring diagram, see page 235.

Technical specification

| Type | Speed rpm | Motor power W | Maximum current A | | Maximum duty m ³ /h | Sound level* dB (A) | | | Weight kg | Article number |
|---------------------|--------------|------------------|----------------------|------|--------------------------------------|------------------------|-------|----------|--------------|----------------|
| | | | 230V | 400V | | Outlet | Inlet | Radiated | | |
| SINGLE-PHASE | | | | | | | | | | |
| CVAB/4-700/200 | 1375 | 62 | 0,30 | - | 690 | 46 | 44 | 32 | 26 | 112 208 415 |
| CVAB/4-1200/250 | 1340 | 115 | 0,57 | - | 1150 | 51 | 47 | 35 | 30 | 112 208 418 |
| CVAB/4-1500/250 | 1380 | 160 | 0,72 | - | 1520 | 54 | 52 | 42 | 38 | 112 208 421 |
| CVAB/4-2600/355 | 1350 | 275 | 1,20 | - | 2600 | 60 | 55 | 42 | 46 | 112 208 425 |
| CVAB/4-3800/355 | 1380 | 570 | 2,60 | - | 3750 | 63 | 60 | 48 | 62 | 112 208 428 |
| CVAB/4-5600/400 | 1380 | 1100 | 5,30 | - | 5600 | 70 | 66 | 52 | 94 | 112 208 431 |
| THREE-PHASE | | | | | | | | | | |
| CVAT/4-700/200 | 1375 | 62 | - | 0,17 | 690 | 46 | 44 | 32 | 26 | 112 208 435 |
| CVAT/4-1200/250 | 1340 | 115 | - | 0,35 | 1150 | 51 | 47 | 35 | 30 | 112 208 438 |
| CVAT/4-1500/250 | 1380 | 160 | - | 0,50 | 1520 | 54 | 52 | 42 | 38 | 112 208 441 |
| CVAT/4-2600/355 | 1350 | 275 | - | 0,80 | 2600 | 60 | 55 | 42 | 46 | 112 208 445 |
| CVAT/4-3800/355 | 1380 | 570 | - | 1,50 | 3750 | 63 | 60 | 48 | 62 | 112 208 448 |
| CVAT/4-5600/400 | 1380 | 1100 | - | 1,80 | 5600 | 70 | 66 | 52 | 94 | 112 208 451 |
| CVAT/4-9000/500 | 1475 | 2050 | - | 4,80 | 8800 | 76 | 75 | 60 | 105 | 112 208 455 |
| CVAT/6-6000/500 | 960 | 900 | - | 3,30 | 5700 | 67 | 65 | 53 | 105 | 112 208 458 |
| CVAT/6-10000/630 | 975 | 1500 | - | 3,90 | 10000 | 69 | 69 | 53 | 120 | 112 208 461 |
| CVAT/6-14000/630 | 965 | 2500 | - | 5,40 | 14000 | 74 | 73 | 58 | 160 | 112 208 465 |
| CVAT/6-17000/710 | 965 | 3900 | - | 6,90 | 17100 | 78 | 76 | 60 | 220 | 112 208 468 |

* distance 1.5m

Accessories



Duct filter
DF
page 24



Duct filter
DFK
page 25



Duct heater
DH
page 19



Speed switch
REB
page 230



Speed controller
RMB
page 230



Humidistat
HIG-2
page 231

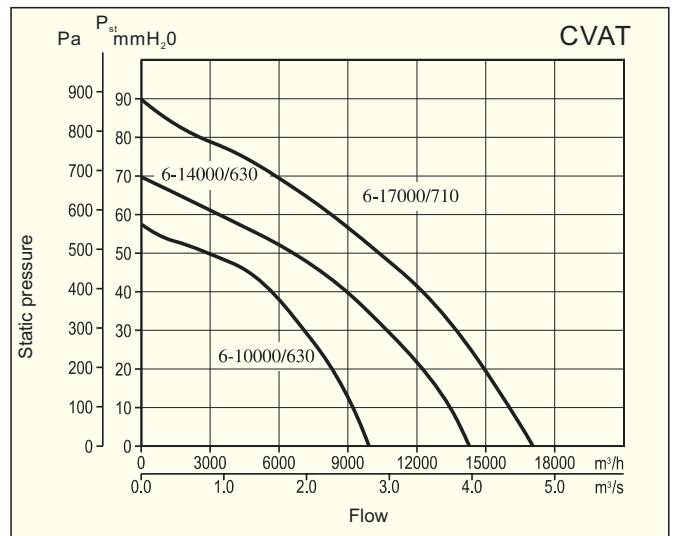
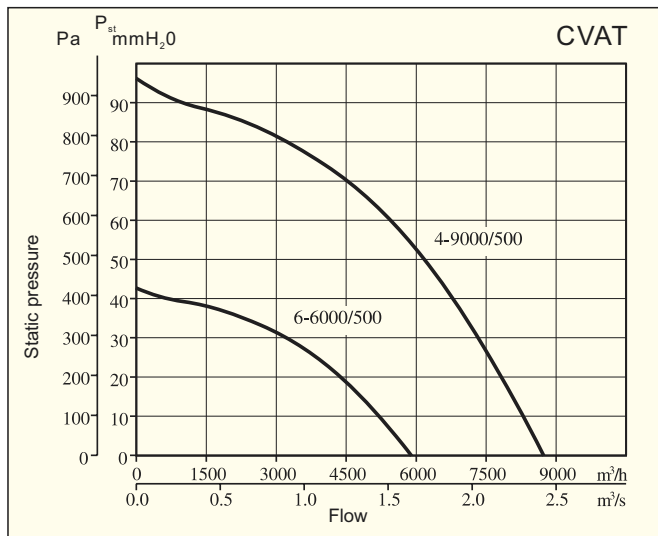
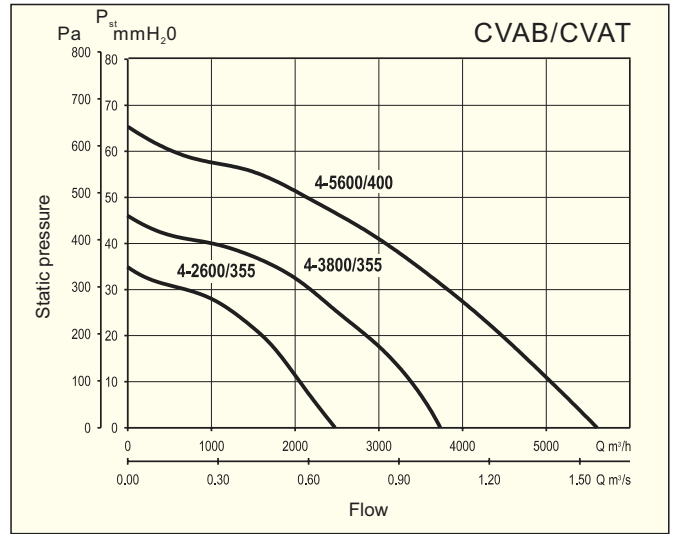
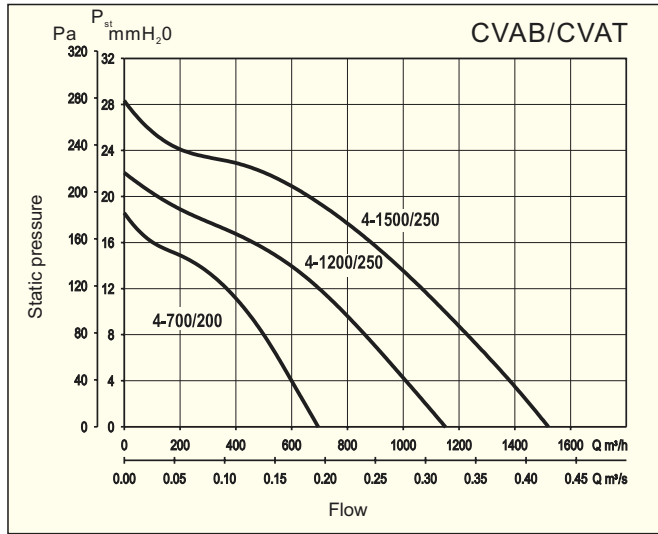


Air quality sensor
SQA
page 231

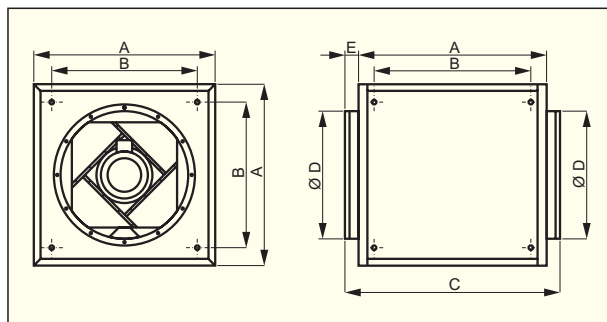


Thermostat
TS, TK
page 231

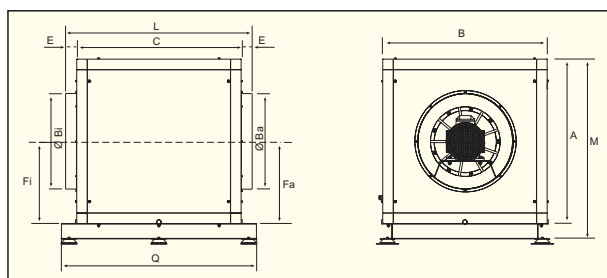
Performance curves



Dimensions in mm



| Type | A | B | C | ØD | E |
|-----------------|-----|-----|-----|-----|----|
| CVA□/4-700/200 | 400 | 270 | 530 | 200 | 65 |
| CVA□/4-1200/250 | 450 | 320 | 580 | 250 | 65 |
| CVA□/4-1500/250 | 500 | 370 | 630 | 250 | 65 |
| CVA□/4-2600/355 | 550 | 390 | 680 | 355 | 65 |
| CVA□/4-3800/355 | 650 | 490 | 780 | 355 | 65 |
| CVA□/4-5600/400 | 800 | 640 | 930 | 400 | 65 |



| Type | A | B | C | E | L | M | Q | ØBi | ØBa | Fi | Fa |
|------------------|------|------|------|----|------|------|------|-----|-----|-------|-------|
| CVAT/4-9000/500 | 860 | 860 | 860 | 55 | 970 | 940 | 1020 | 500 | 500 | 430 | 430 |
| CVAT/6-6000/500 | 860 | 860 | 860 | 55 | 970 | 940 | 1020 | 500 | 500 | 430 | 430 |
| CVAT/6-10000/630 | 920 | 920 | 920 | 55 | 1030 | 1000 | 1080 | 630 | 630 | 460 | 460 |
| CVAT/6-14000/630 | 980 | 980 | 980 | 55 | 1090 | 1060 | 1140 | 630 | 630 | 490 | 490 |
| CVAT/6-17000/710 | 1037 | 1037 | 1037 | 55 | 1147 | 1117 | 1197 | 710 | 710 | 518,5 | 518,5 |



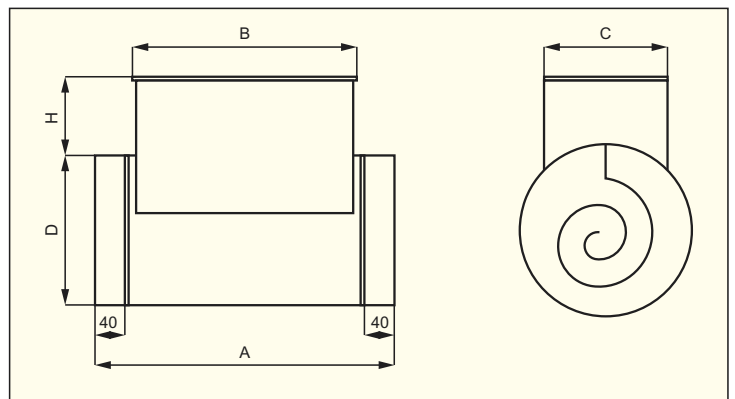
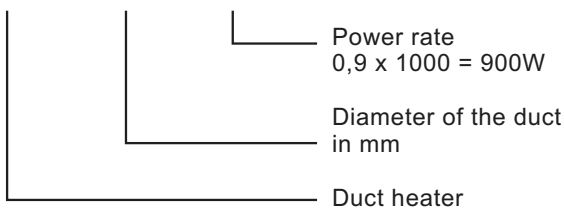
Construction

Duct heaters designed for installation directly in ventilation ducts (Ø100 to 400mm). Casing in welded steel sheet, powder coated. The heating elements are designed in stainless material (SS2337). Duct heaters should not be dimensioned for higher outlet temperature than 40°C. The air speed through the heaters should not be lower than 1,5m/s.

Wiring diagram, see page 236, 237.

Model numbering system

DH - 125 / 09



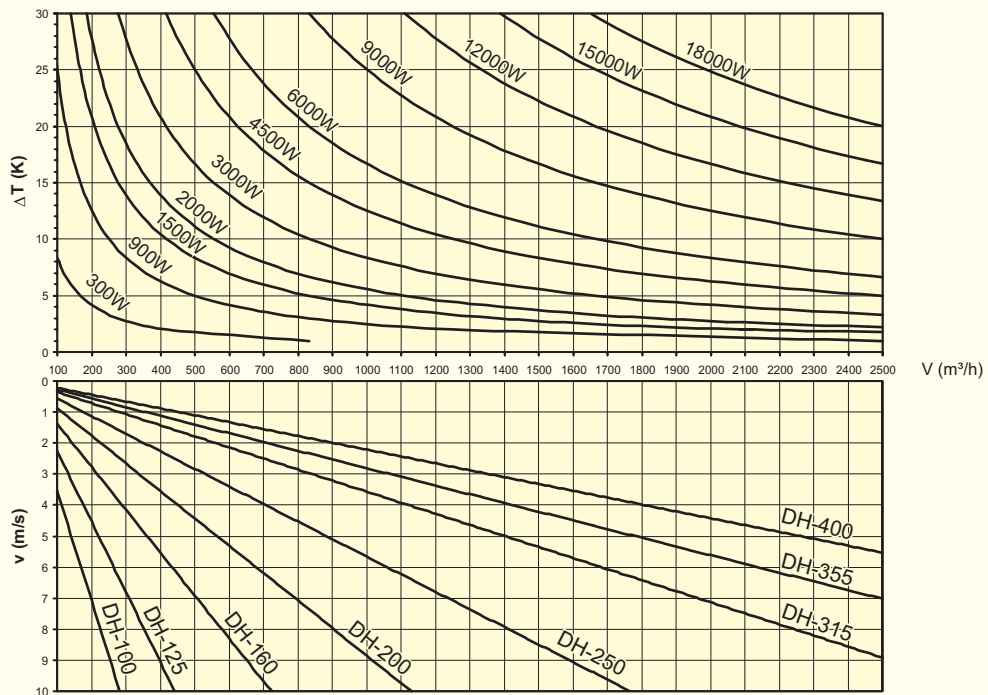
| Type | Motor power kW | Voltage V | Dimensions in mm | | | | | Number of element rows | Article number |
|------------|-------------------|--------------|------------------|-----|-----|-----|-----|---------------------------|-------------------|
| | | | A | B | C | D | H | | |
| DH-100/03 | 0,3 | 230 | 380 | 280 | 98 | 100 | 105 | 1 x 300W | 113 981 100 |
| DH-125/09 | 0,9 | 230 | 380 | 280 | 105 | 125 | 105 | 3 x 300W | 113 981 150 |
| DH-160/15 | 1,5 | 230 | 380 | 280 | 135 | 160 | 105 | 3 x 500W | 113 981 200 |
| DH-160/20 | 2,0 | 230 | 380 | 280 | 135 | 160 | 105 | 4 x 500W | 113 981 250 |
| DH-200/20 | 2,0 | 230 | 400 | 300 | 165 | 200 | 105 | 4 x 500W | 113 981 300 |
| DH-200/30 | 3,0 | 3x400 | 400 | 300 | 165 | 200 | 105 | 3 x 1000W | 113 981 330 |
| DH-200/45 | 4,5 | 3x400 | 400 | 300 | 165 | 200 | 105 | 3 x 1500W | 113 981 350 |
| DH-200/60 | 6,0 | 3x400 | 400 | 300 | 165 | 200 | 105 | 3 x 2000W | 113 981 360 |
| DH-250/30 | 3,0 | 3x400 | 400 | 300 | 195 | 250 | 75 | 3 x 1000W | 113 981 430 |
| DH-250/45 | 4,5 | 3x400 | 400 | 300 | 195 | 250 | 75 | 3 x 1500W | 113 981 450 |
| DH-250/60 | 6,0 | 3x400 | 400 | 300 | 195 | 250 | 75 | 3 x 2000W | 113 981 460 |
| DH-250/90 | 9,0 | 3x400 | 400 | 300 | 195 | 250 | 75 | 6 x 1500W | 113 981 490 |
| DH-315/30 | 3,0 | 3x400 | 400 | 300 | 230 | 315 | 75 | 3 x 1000W | 113 981 530 |
| DH-315/45 | 4,5 | 3x400 | 400 | 300 | 230 | 315 | 75 | 3 x 1500W | 113 981 550 |
| DH-315/60 | 6,0 | 3x400 | 400 | 300 | 230 | 315 | 75 | 3 x 2000W | 113 981 560 |
| DH-315/90 | 9,0 | 3x400 | 400 | 300 | 230 | 315 | 75 | 6 x 1500W | 113 981 590 |
| DH-315/120 | 12,0 | 3x400 | 400 | 300 | 230 | 315 | 75 | 6 x 2000W | 113 981 592 |
| DH-355/60 | 6,0 | 3x400 | 440 | 340 | 230 | 355 | 75 | 3 x 2000W | 113 981 660 |
| DH-355/90 | 9,0 | 3x400 | 440 | 340 | 230 | 355 | 75 | 3 x 3000W | 113 981 690 |
| DH-355/120 | 12,0 | 3x400 | 440 | 340 | 230 | 355 | 75 | 6 x 2000W | 113 981 692 |
| DH-355/150 | 15,0 | 3x400 | 340 | 230 | 355 | 355 | 75 | 3x2kW + 3x3kW | 113 981 694 |
| DH-400/60 | 6,0 | 3x400 | 340 | 230 | 400 | 400 | 75 | 3 x 2000W | 113 981 788 |
| DH-400/90 | 9,0 | 3x400 | 440 | 340 | 230 | 400 | 75 | 3 x 3000W | 113 981 790 |
| DH-400/120 | 12,0 | 3x400 | 440 | 340 | 230 | 400 | 75 | 6 x 2000W | 113 981 792 |
| DH-400/150 | 15,0 | 3x400 | 440 | 340 | 230 | 400 | 75 | 3x2kW + 3x3kW | 113 981 795 |
| DH-400/180 | 18,0 | 3x400 | 400 | 300 | 230 | 400 | 75 | 6 x 3000W | 113 981 797 |

Accessories

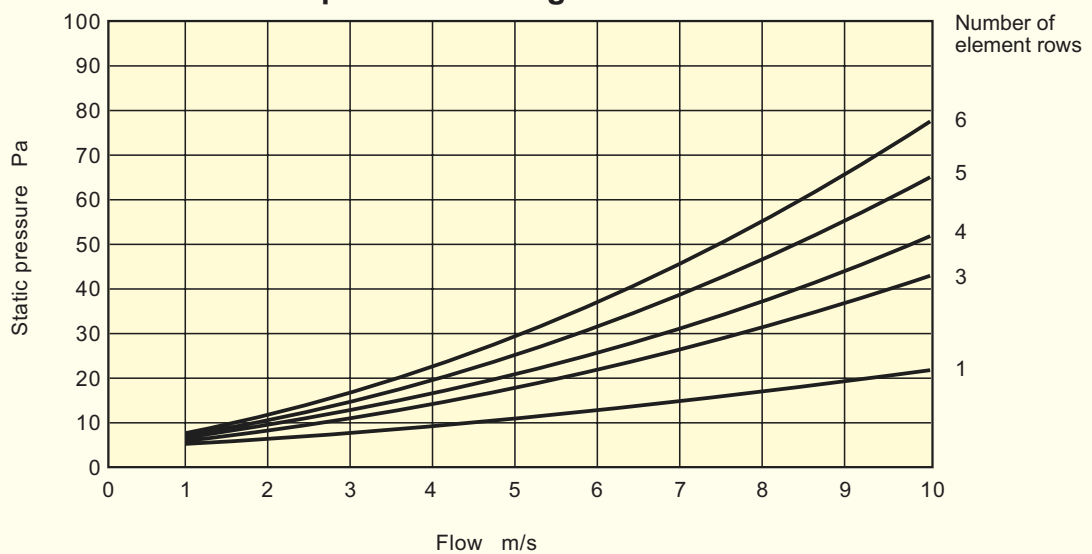


Thermostat
TS, TK
page 231

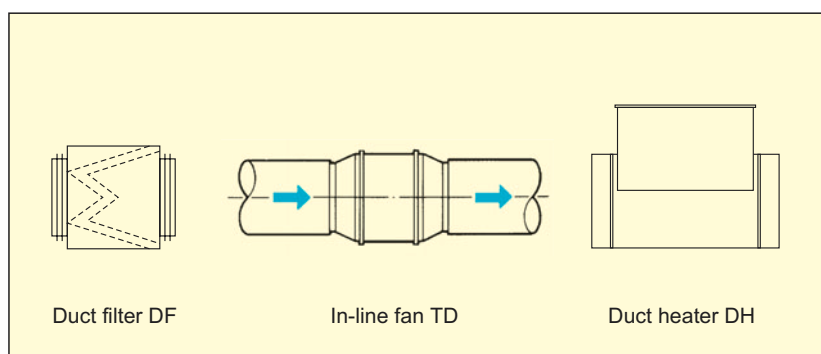
Selection of duct heater DH



Loss of air pressure through duct heater DH



Recommended assembly



Calculation of power requirement

$$P = Q \cdot 0,36 \cdot \Delta T$$

P - Power [W]

Q - Flow [m³/h]

ΔT - rise in temperature [C]



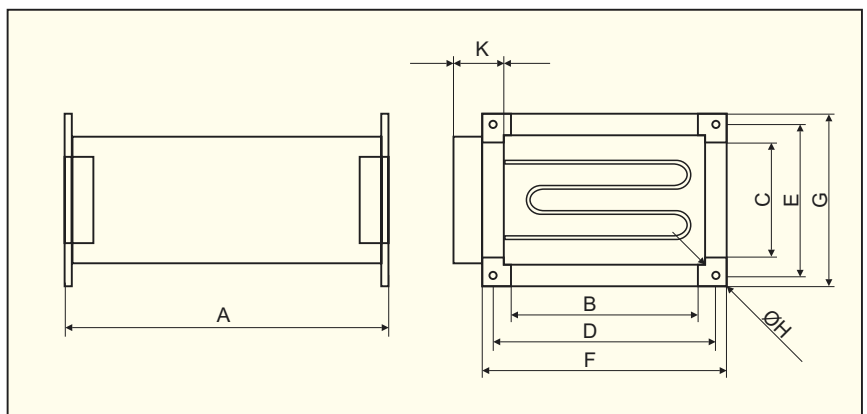
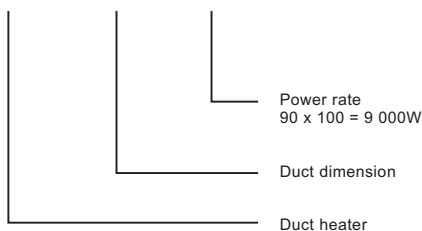
Construction

Duct heaters designed for installation directly in rectangular ventilation ducts. Casing in welded steel sheet and powder coated. The heating radiators are designed in stainless material (SS2337). Duct heaters have as a standard an automatic and a manual thermal protection. The duct heaters should not be dimensioned for higher outlet temperature than 40°C. The air speed through the heaters should not be lower than 1,5m/s.

Wiring diagram, see page 236, 237.

Model numbering system

RH - 40/20 - 90



Data

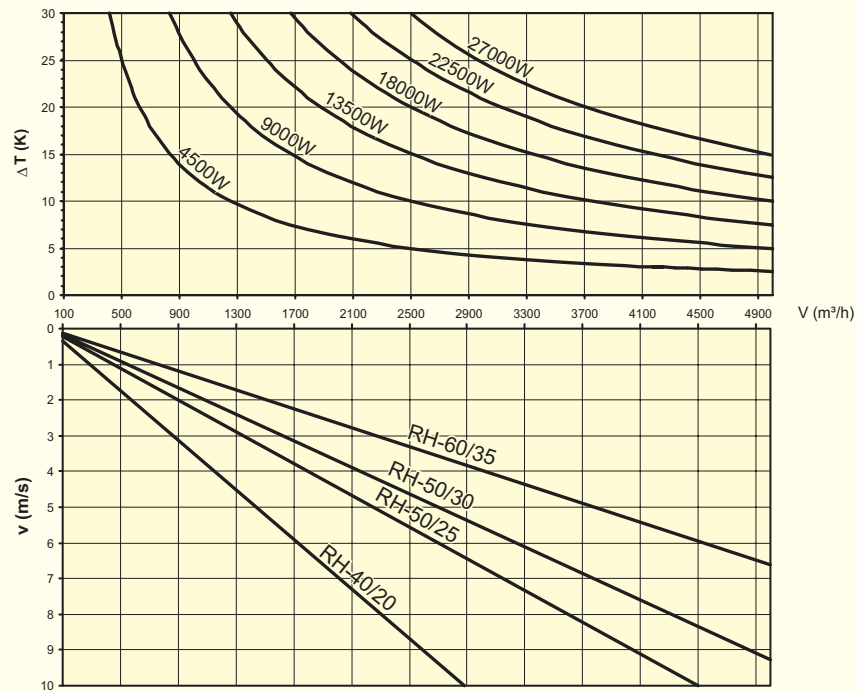
| Type | Motor power kW | Voltage V | Dimensions in mm | | | | | | | | Number of element rows | Article number | |
|--------------|----------------|-----------|------------------|-----|-----|-----|-----|-----|-----|----|------------------------|-----------------|-------------|
| | | | A | B | C | D | E | F | G | ØH | | | K |
| RH-40/20-45 | 4,5 | 3x400 | 312 | 398 | 198 | 420 | 220 | 440 | 240 | 9 | 90 | 3x1500W | 113 982 424 |
| RH-40/20-90 | 9,0 | 3x400 | 502 | | | | | | | | | 6x1500W | 113 982 425 |
| RH-50/25-90 | 9,0 | 3x400 | 322 | 498 | 248 | 520 | 270 | 540 | 290 | 9 | 90 | 6x1500W | 113 982 525 |
| RH-50/25-180 | 18,0 | 3x400 | 532 | | | | | | | | | 6x3000W | 113 982 528 |
| RH-50/30-135 | 13,5 | 3x400 | 532 | 500 | 298 | 522 | 320 | 540 | 338 | 9 | 90 | 3x3000W+3x1500W | 113 982 537 |
| RH-50/30-180 | 18,0 | 3x400 | 532 | 500 | 298 | 522 | 320 | 540 | 338 | 9 | 90 | 6x3000W | 113 982 538 |
| RH-60/35-225 | 22,5 | 3x400 | 682 | 600 | 348 | 622 | 370 | 640 | 338 | 9 | 90 | 3x1500W+6x3000W | 113 982 635 |
| RH-60/35-270 | 27,0 | 3x400 | 682 | 600 | 348 | 622 | 370 | 640 | 388 | 9 | 90 | 9x3000W | 113 982 638 |

Accessories

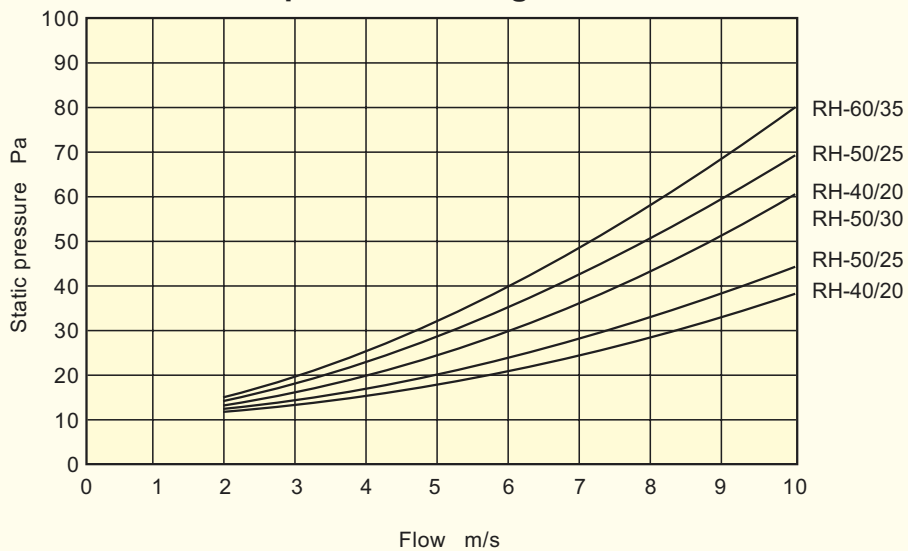


Thermostat
TS, TK
page 231

Selection of duct heater RH



Loss of air pressure through duct heater RH



Calculation of power requirement

$$P = Q \cdot 0,36 \cdot \Delta T$$

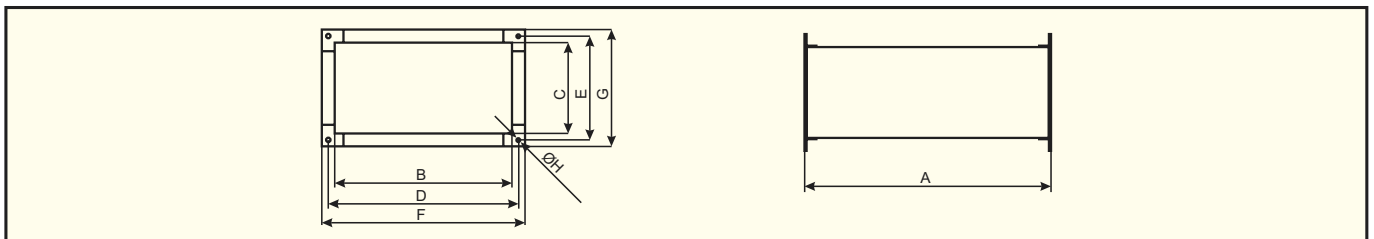
P - Power [W]

Q - Flow [m³/h]

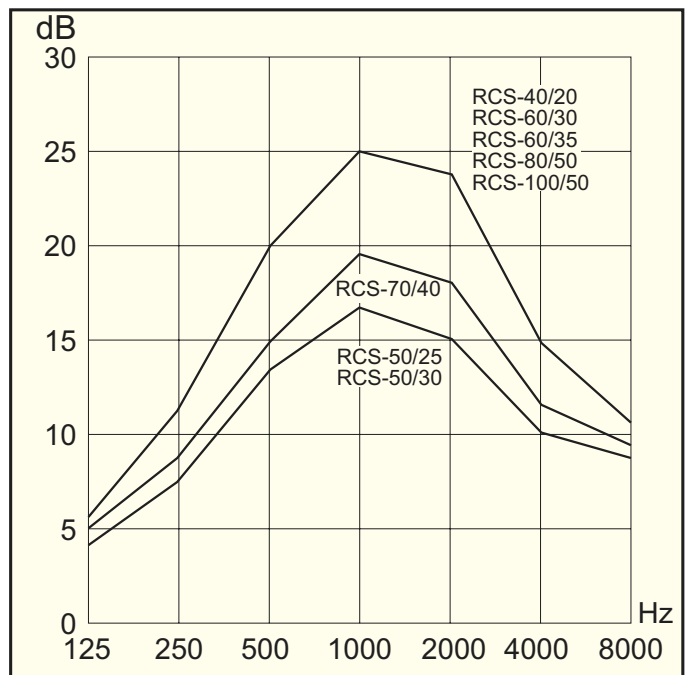
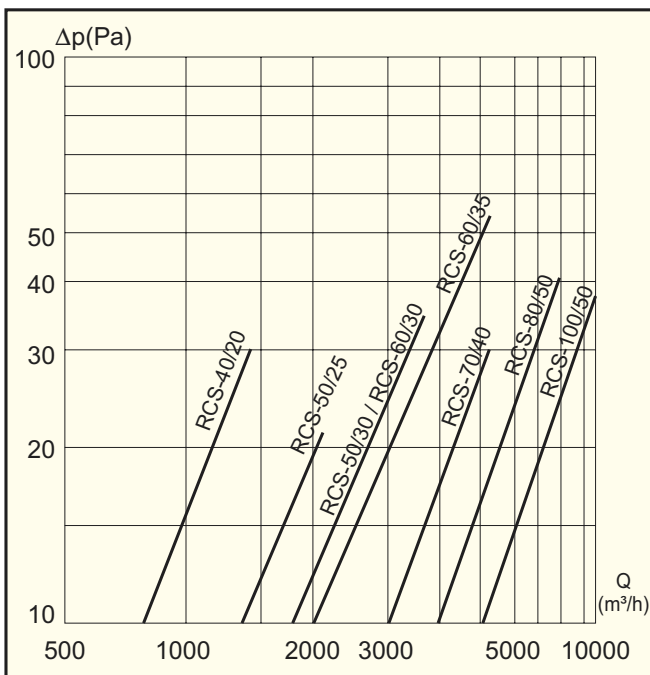
ΔT - rise in temperature [C]



Silencer for duct systems adapted for IBF.



| Type | A | B | C | D | E | F | G | ØH | Art. number |
|------------|------|------|-----|------|-----|------|-----|----|-------------|
| RCS-40/20 | 1000 | 400 | 198 | 440 | 220 | 440 | 240 | 9 | 213 985 910 |
| RCS-50/25 | 1000 | 500 | 248 | 520 | 270 | 540 | 290 | 9 | 213 985 920 |
| RCS-50/30 | 1000 | 500 | 298 | 520 | 320 | 540 | 340 | 9 | 213 985 930 |
| RCS-60/30 | 1000 | 600 | 298 | 620 | 320 | 640 | 340 | 9 | 213 985 940 |
| RCS-60/35 | 1000 | 600 | 348 | 620 | 370 | 640 | 390 | 9 | 213 985 950 |
| RCS-70/40 | 1000 | 700 | 398 | 720 | 420 | 740 | 440 | 9 | 213 985 960 |
| RCS-80/50 | 1000 | 800 | 498 | 820 | 520 | 840 | 540 | 9 | 213 985 970 |
| RCS-100/50 | 1000 | 1000 | 498 | 1020 | 520 | 1040 | 540 | 9 | 213 985 980 |

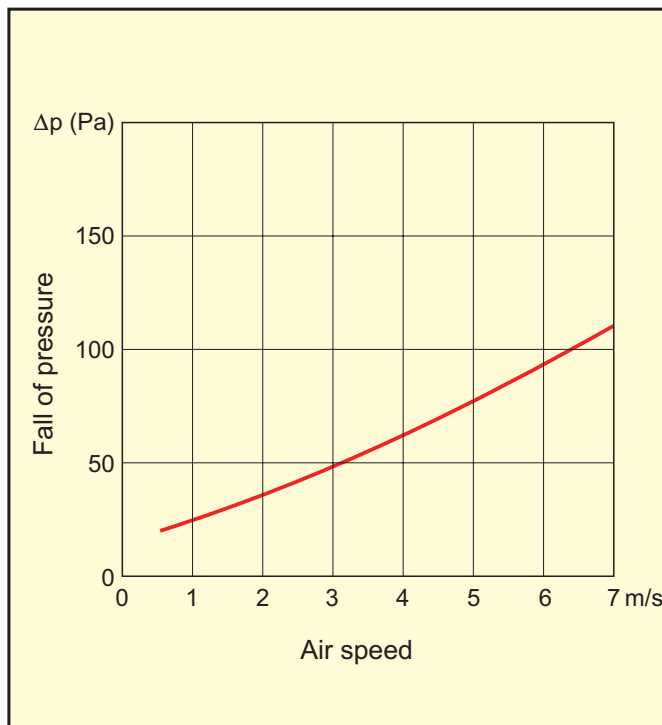




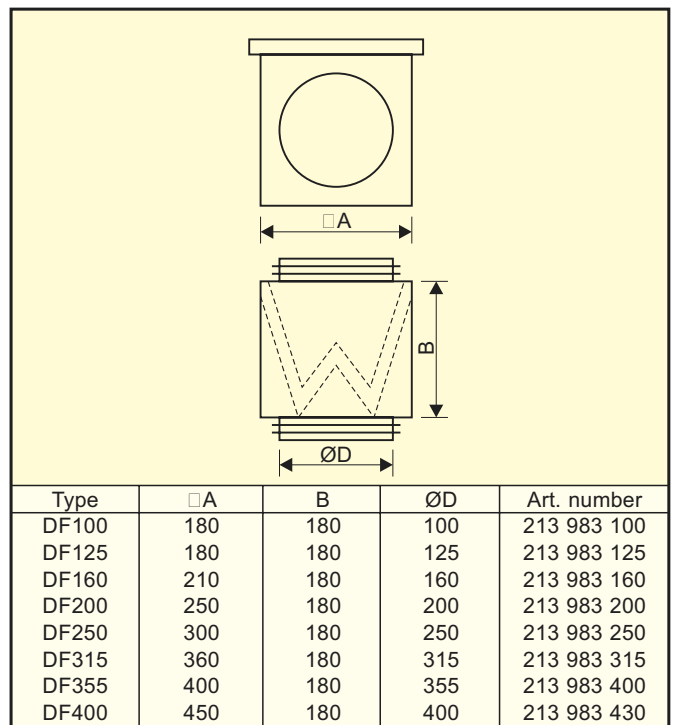
Construction

Duct filter DF adapted to cylindrical ventilation ducts in standard dimensions (100 - 400 mm). Casing in powder coated steel sheet with rubber packed sleeve couplings and closing with clamp lock. Standard RAL9010. Filter insert class EU3. Duct filters in other dimensions, materials, and classes can be delivered on request.

Performance curve



Dimensions in mm

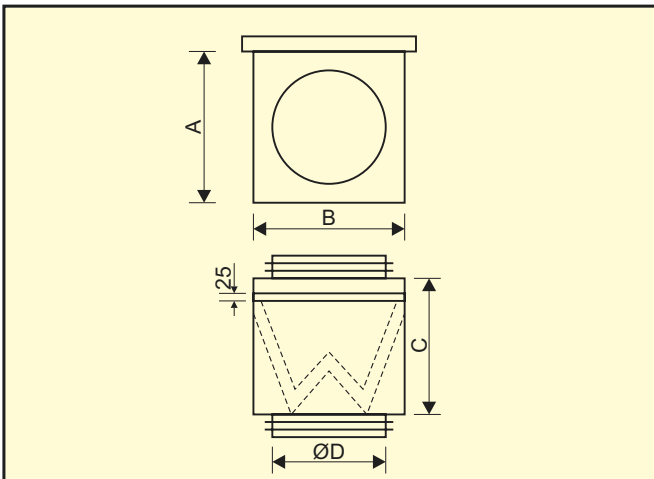




Construction

Duct filter DFK adapted to cylindrical ventilation ducts in standard dimensions (100-560 mm). Casing in powder coated steel sheet with rubber packed sleeve couplings and closing with clamp lock. Standard RAL9010. Bag insert EU3, EU5 or EU7.

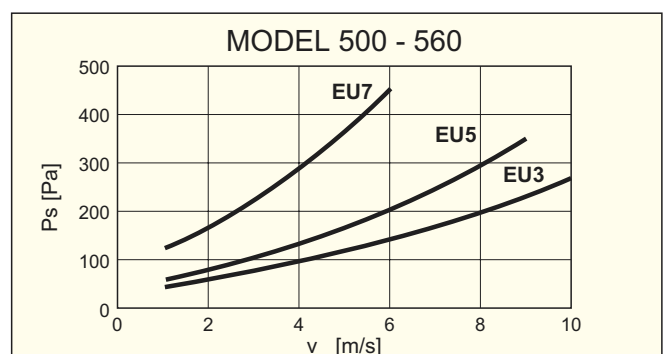
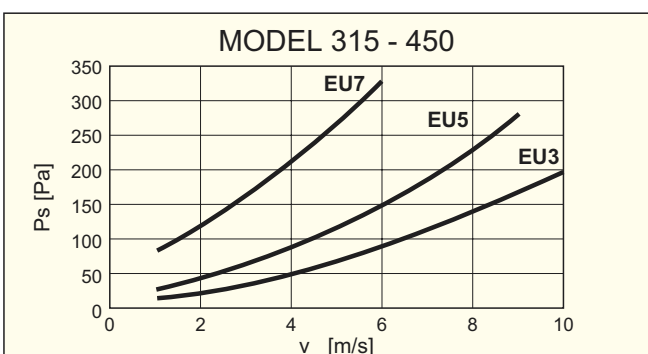
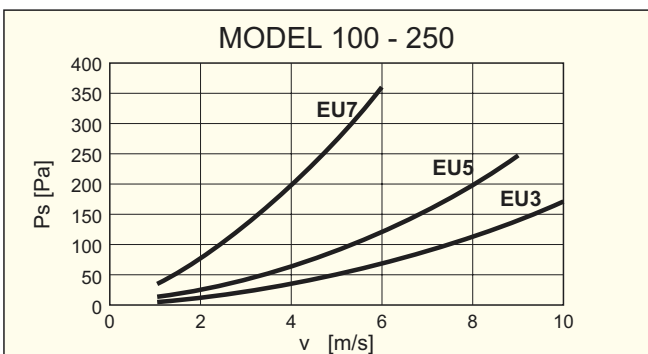
Dimensions in mm



| Type | A | B | C | ØD | Art. num. |
|----------|-----|-----|-----|-----|-----------|
| DF-K 100 | 290 | 290 | 450 | 100 | 213983600 |
| DF-K 125 | 290 | 290 | 450 | 125 | 213983610 |
| DF-K 160 | 290 | 290 | 450 | 160 | 213983620 |
| DF-K 200 | 290 | 290 | 450 | 200 | 213983630 |
| DF-K 250 | 290 | 290 | 450 | 250 | 213983640 |
| DF-K 315 | 493 | 595 | 600 | 315 | 213983650 |
| DF-K 355 | 493 | 595 | 600 | 355 | 213983660 |
| DF-K 400 | 493 | 595 | 600 | 400 | 213983670 |
| DF-K 450 | 493 | 595 | 600 | 450 | 213983680 |
| DF-K 500 | 595 | 595 | 600 | 500 | 213983690 |
| DF-K 560 | 595 | 595 | 600 | 560 | 213983700 |

| Type | Filter class | | |
|-----------------------|--------------|-----------|-----------|
| | EU3 | EU5 | EU7 |
| DF-K 100 ... DF-K 250 | 213983800 | 213983805 | 213983810 |
| DF-K 315 ... DF-K 450 | 213983830 | 213983835 | 213983840 |
| DF-K 500 ... DF-K 560 | 213983845 | 213983850 | 213983855 |

Performance curves

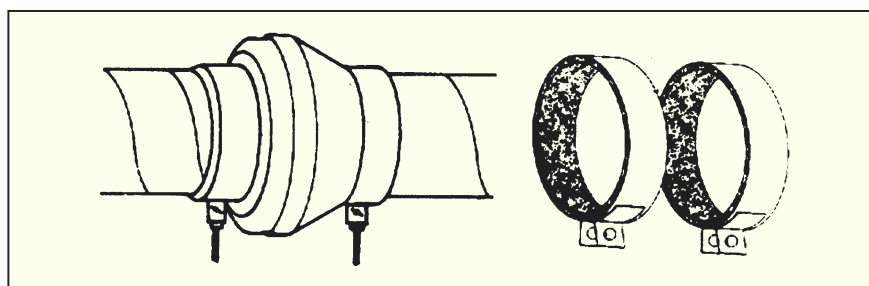


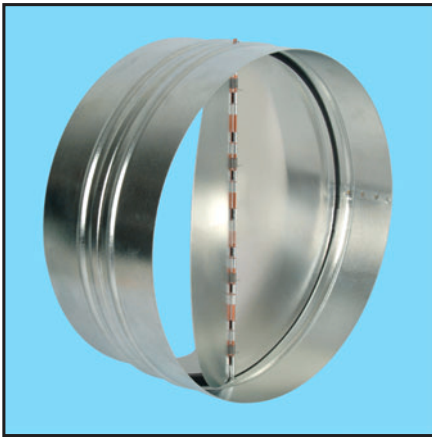


ACOP PL

Antivibration coupling for circular ventilation ducts.

| Type | Nominal diameter [mm] | Article number |
|-------------|--------------------------|----------------|
| ACOP PL 100 | 100 | 112930810 |
| ACOP PL 125 | 125 | 112930815 |
| ACOP PL 160 | 160 | 112930820 |
| ACOP PL 200 | 200 | 112930825 |
| ACOP PL 250 | 250 | 112930830 |
| ACOP PL 315 | 315 | 112930835 |
| ACOP PL 355 | 355 | 112930840 |
| ACOP PL 400 | 400 | 112930845 |

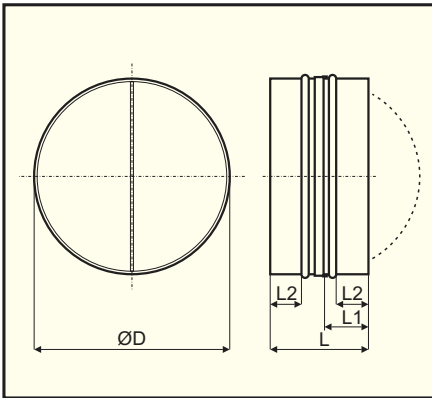




Construction

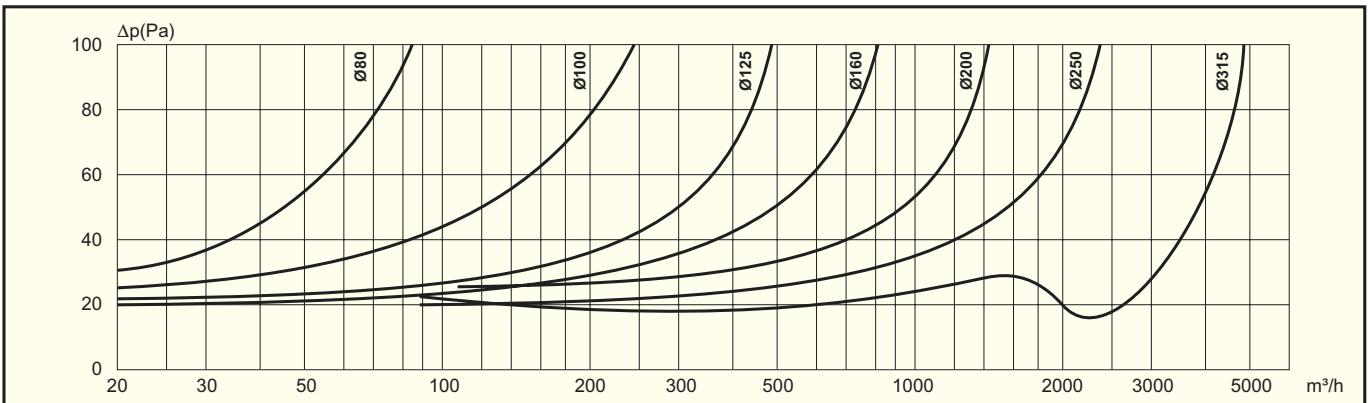
Backdraught shutters CAR are designed for installation in circular ventilation ducts.

Dimensions in mm



| Type | ØD | L | L1 | L2 | Art. number |
|---------|-----|-----|----|----|-------------|
| CAR-100 | 100 | 80 | 32 | | 112 930 100 |
| CAR-125 | 125 | 100 | 42 | | 112 930 125 |
| CAR-150 | 150 | 120 | 52 | | 112 930 150 |
| CAR-160 | 160 | 120 | 52 | | 112 930 160 |
| CAR-200 | 200 | 140 | 62 | | 112 930 200 |
| CAR-250 | 250 | 140 | 62 | | 112 930 250 |
| CAR-315 | 315 | 140 | 62 | 45 | 112 930 315 |

Performance curves





| | |
|----------------|-----------|
| HXM | 30 |
| COMPACT | 31 |
| AFW | 40 |

In-Line Fans

Axial-flow Fans Wall Versions

Axial-flow Fans Cased Versions

Roof Fans

Fans "ATEX"

Centrifugal Fans VISP/VASP

Centrifugal Fans

Side Channel Blowers

Chip Extractors

Domestic Fans

Accessories

Electric Diagrams

General Information

Index



Construction

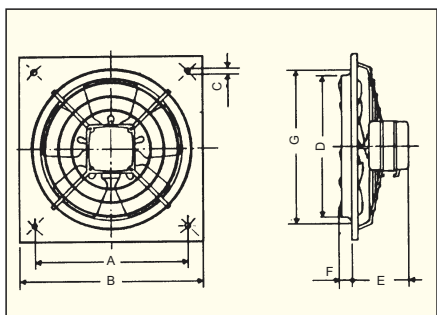
Axial-flow fan for wall mounting. Impeller of punched aluminium sheet, wall plate in galvanized steel sheet. Can be mounted in various directions.

Motor

220-240V, 50Hz single-phase shade pole motor with self-lubricating bearing. Enclosure IP40 or IP00 (HXM-400). Insulation class B. Variable speed control with transformer or electronic regulator. Thermal protection may be supplied on request.

Data

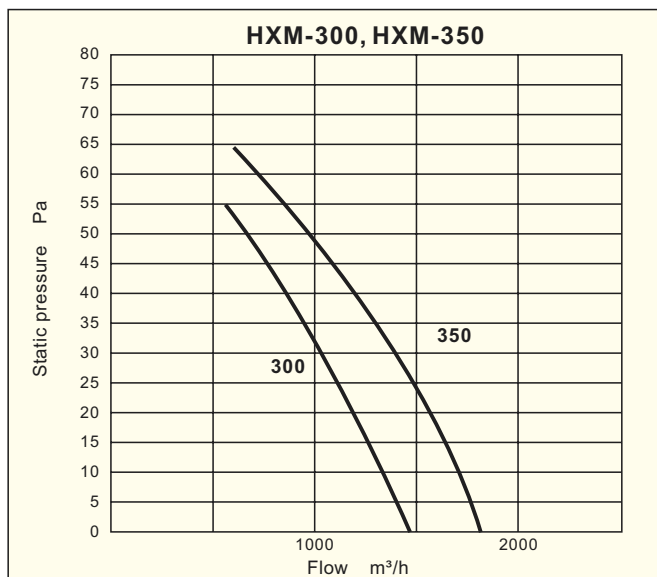
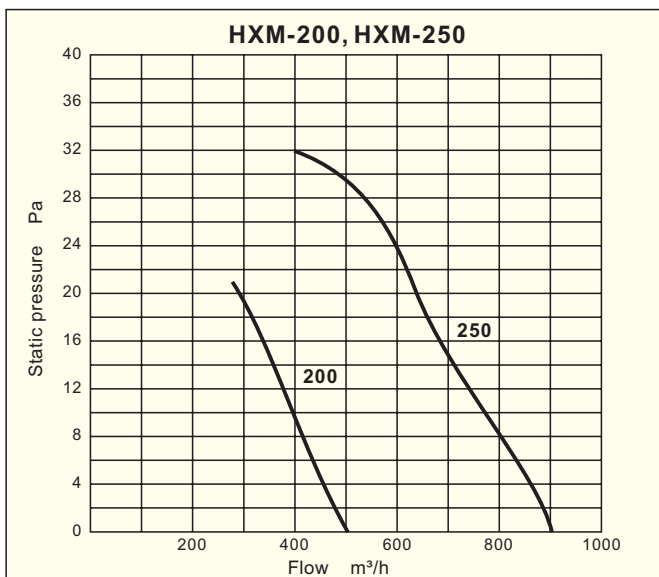
| Type | Speed rpm | Motor power W | Maximum current A | Maximum duty m ³ /h | Sound level dB(A) | Weight kg | Article number |
|---------|-----------|---------------|-------------------|--------------------------------|-------------------|-----------|----------------|
| HXM-200 | 1 300 | 32 | 0,22 | 500 | 36 | 1,7 | 112 150 101 |
| HXM-250 | 1 300 | 46 | 0,31 | 900 | 42 | 2,5 | 112 150 201 |
| HXM-300 | 1 300 | 55 | 0,40 | 1 400 | 48 | 3,1 | 112 150 301 |
| HXM-350 | 1 300 | 65 | 0,50 | 1 800 | 53 | 4,4 | 112 150 401 |



Dimensions in mm

| Type | A | B | C | D | E | F | G |
|---------|-------|-----|------|-----|-------|------|-----|
| HXM-200 | 222,0 | 266 | 9,0 | 205 | 82,5 | 19,0 | 211 |
| HXM-250 | 275,5 | 333 | 9,0 | 255 | 92,5 | 31,0 | 261 |
| HXM-300 | 336,5 | 400 | 10,5 | 305 | 92,5 | 35,5 | 311 |
| HXM-350 | 390,0 | 465 | 10,5 | 361 | 105,5 | 34,5 | 371 |

Performance curves



Accessories



PER-W
page 68



PER-CN
page 68



REB
page 230



HCFT, HCFB

Construction

Motor with painted cast aluminum casing. Impellers made of injection moulded plastic reinforced with anchored fiberglass, UV stable (HCFT/HCFB), or die casted in aluminium (HCBT/HCBB). Dynamic balanced according to ISO 1940. Adjustable impellers in plastic or aluminium can be supplied on request. For wall installation the fan can be mounted on a plate formed from a steel sheet stamping and is equipped with a steel wire finger proof guard. The motor and the unique construction of the impeller give compact solidity and allow wall- and duct-mounting in all variable positions.

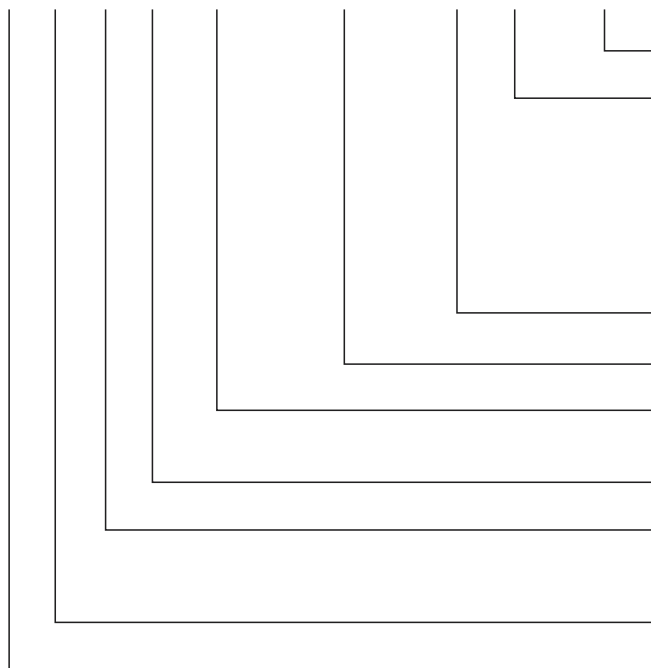
Motor

380–415V, 50Hz three-phase alt. 220–240V, 50Hz single-phase asynchronous motor, thermal protection with outgoing leads to the terminal box. Enclosure IP65 according to UNE 20–11 and IEC 34–5 (waterproof, dustproof design). Insulation class F for a maximum

environmental temperature of +70°C. The motor is designed according to IEC 34–1 and is dynamic balanced according to ISO 1940. Speed controllable by variation of the supply voltage by means of transformer or electric regulator. Special voltage or frequency, improved enclosure and three-phase motors for "Y" resp. "Δ" – running can be supplied on request.

Wiring diagram, see page 234.

Model numbering system



Special version

- A** = air direction motor - impeller for wall mounting
- B** = air direction impeller - motor, standard for duct mounting
- Ex** = explosion proof motor EExe II T3
- L** = weather proof enclosure **M** = extended lead (830mm long)
- N** = without frame
- PN** = deep support without frame
- S** = motor and impeller only
- W** = remote terminal box **X** = support without safety guard

Blade angle **H** = high (approx 34°) **L** = low (approx 22°)

Nominal diameter in mm

Speed: 2 = approx 2900rpm 50Hz 4 = approx 1400rpm 50Hz
 6 = approx 900rpm 50Hz 8 = approx 700rpm 50Hz

Type of motor: **T** = three-phase **B** = single-phase

Impeller: **F** = fixed blades impeller, standard
 G = adjustable blade impellers
 B = impeller in aluminium

C = compact series

Fan mounting: **H** = wall mounted **T** = case duct mounted

Accessories



PER-W
page 68



PER-CN
page 68



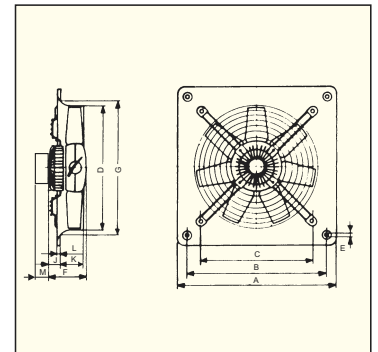
REB
page 230



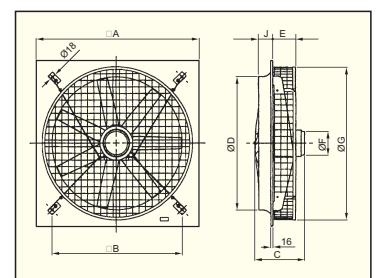
RMB, RMT
page 230

Dimensions in mm

| Type | A | B | C | ØD | ØE | F | | | | ØG | J | | | | K | L | M | |
|------|-----|-----|-----|-----|----|-----|-------|-------|-------|-----|------|-------|------|------|------|------|------|------|
| | | | | | | /2 | /4 | /6 | /8 | | /2 | /4 | /6 | /8 | | | HCFT | HCFB |
| 250 | 315 | 260 | 220 | 254 | 10 | 122 | 122 | | | 294 | 59 | 59 | | | 53 | 12 | 40 | 65 |
| 315 | 400 | 330 | 280 | 315 | 10 | | 122 | | | 329 | | 32 | | | 68 | 12 | 40 | 65 |
| 355 | 450 | 380 | 315 | 355 | 10 | | 129 | 129 | | 371 | | 45 | 45 | | 75 | 12 | 40 | 65 |
| 400 | 500 | 420 | 355 | 400 | 10 | | 129 | 129 | | 422 | 40,5 | 40,5 | | | 78 | 12 | 40 | 65 |
| 450 | 560 | 480 | 400 | 450 | 10 | | 150 | 150 | 150 | 476 | | 48 | 48 | 48 | 91 | 12 | 40 | 65 |
| 500 | 630 | 560 | 450 | 500 | 10 | | 150 | 150 | 150 | 536 | | 44,5 | 44,5 | 44,5 | 97 | 12 | 40 | 65 |
| 560 | 710 | 630 | 510 | 560 | 10 | | 218,5 | 150 | 150 | 596 | | 110,5 | 42 | 42 | 98,5 | 12 | 40 | 65 |
| 630 | 800 | 710 | 580 | 630 | 12 | | 218,5 | 150 | 150 | 674 | | 110,5 | 41 | 41 | 103 | 12 | 40 | 65 |
| 710 | 900 | 800 | 636 | 710 | 12 | | 218,5 | 218,5 | 218,5 | 733 | | 134 | 134 | 134 | 91,5 | 16,5 | 40 | 65 |



| Type | □ | □ | Ø | J | E | Ø | C | | | | | | ØF | | | | | |
|-----------|------|------|------|-----|-----|------|-----|-----|-----|-----|-----|-----|-----|-----|-----|-----|-----|-----|
| | | | | | | | /4 | | /6 | | /8 | | /4 | | /6 | | /8 | |
| | | | | | | | L | H | L | H | L | H | L | H | L | H | L | H |
| HCFT-800 | 1000 | 800 | 800 | 92 | 189 | 926 | 345 | 380 | 310 | 345 | 310 | 345 | 181 | 203 | 162 | 181 | 162 | 181 |
| HCFT-1000 | 1250 | 1000 | 1000 | 110 | 174 | 1154 | 380 | 380 | 345 | 380 | 345 | 380 | 203 | 203 | 181 | 203 | 181 | 203 |



* blade angle H = high (approx 34°)
L = low (approx 22°)

Acoustic characteristics Sound pressure level dB(A)

2-POLE

| Type \ Hz | 63 | 125 | 250 | 500 | 1000 | 2000 | 4000 | 8000 |
|-----------|----|-----|-----|-----|------|------|------|------|
| 2-250 | 50 | 61 | 68 | 73 | 74 | 74 | 67 | 58 |

4-POLE

| Type \ Hz | 63 | 125 | 250 | 500 | 1000 | 2000 | 4000 | 8000 |
|-----------|----|-----|-----|-----|------|------|------|------|
| 4-250 | 44 | 50 | 57 | 58 | 60 | 59 | 53 | 42 |
| 4-315 | 37 | 47 | 57 | 61 | 66 | 63 | 57 | 48 |
| 4-355 | 39 | 59 | 56 | 65 | 70 | 66 | 61 | 52 |
| 4-400 | 41 | 62 | 58 | 67 | 74 | 70 | 66 | 43 |
| 4-450 | 40 | 65 | 62 | 68 | 77 | 71 | 67 | 58 |
| 4-500 | 50 | 68 | 67 | 73 | 79 | 77 | 72 | 61 |
| 4-560 | 47 | 72 | 70 | 82 | 82 | 79 | 74 | 65 |
| 4-630 | 52 | 75 | 73 | 81 | 86 | 83 | 77 | 68 |
| 4-710 | 56 | 78 | 76 | 84 | 89 | 86 | 81 | 71 |
| 4-800/L | 61 | 83 | 81 | 89 | 95 | 91 | 86 | 77 |
| 4-800/H | 64 | 86 | 84 | 92 | 98 | 94 | 89 | 80 |
| 4-1000/L | 68 | 90 | 88 | 96 | 102 | 98 | 93 | 84 |
| 4-1000/H | 71 | 93 | 91 | 99 | 105 | 101 | 96 | 87 |

6-POLE

| Type \ Hz | 63 | 125 | 250 | 500 | 1000 | 2000 | 4000 | 8000 |
|-----------|----|-----|-----|-----|------|------|------|------|
| 6-355 | 39 | 45 | 46 | 52 | 53 | 54 | 48 | 37 |
| 6-400 | 34 | 46 | 49 | 59 | 60 | 60 | 53 | 41 |
| 6-450 | 35 | 50 | 52 | 61 | 64 | 62 | 56 | 45 |
| 6-500 | 39 | 52 | 55 | 63 | 67 | 65 | 59 | 49 |
| 6-560 | 41 | 55 | 60 | 67 | 71 | 70 | 64 | 53 |
| 6-630 | 43 | 59 | 62 | 70 | 71 | 69 | 67 | 56 |
| 6-710 | 51 | 65 | 68 | 77 | 80 | 79 | 73 | 62 |
| 6-800/L | 56 | 70 | 73 | 82 | 85 | 84 | 78 | 67 |
| 6-800/H | 58 | 72 | 75 | 84 | 87 | 86 | 80 | 69 |
| 6-1000/L | 63 | 77 | 80 | 89 | 92 | 91 | 85 | 74 |
| 6-1000/H | 66 | 80 | 83 | 92 | 95 | 94 | 88 | 77 |

8-POLE

| Type \ Hz | 63 | 125 | 250 | 500 | 1000 | 2000 | 4000 | 8000 |
|-----------|----|-----|-----|-----|------|------|------|------|
| 8-450 | 42 | 42 | 47 | 55 | 57 | 58 | 49 | 39 |
| 8-500 | 42 | 42 | 51 | 56 | 59 | 59 | 52 | 42 |
| 8-560 | 46 | 46 | 55 | 60 | 62 | 62 | 55 | 45 |
| 8-630 | 45 | 48 | 57 | 63 | 63 | 64 | 58 | 46 |
| 8-710 | 57 | 57 | 64 | 71 | 73 | 73 | 65 | 55 |
| 8-800/L | 61 | 61 | 69 | 75 | 77 | 77 | 70 | 60 |
| 8-800/H | 63 | 63 | 71 | 77 | 79 | 79 | 72 | 62 |
| 8-1000/L | 68 | 68 | 76 | 82 | 84 | 84 | 77 | 67 |
| 8-1000/H | 72 | 72 | 80 | 86 | 88 | 88 | 81 | 71 |

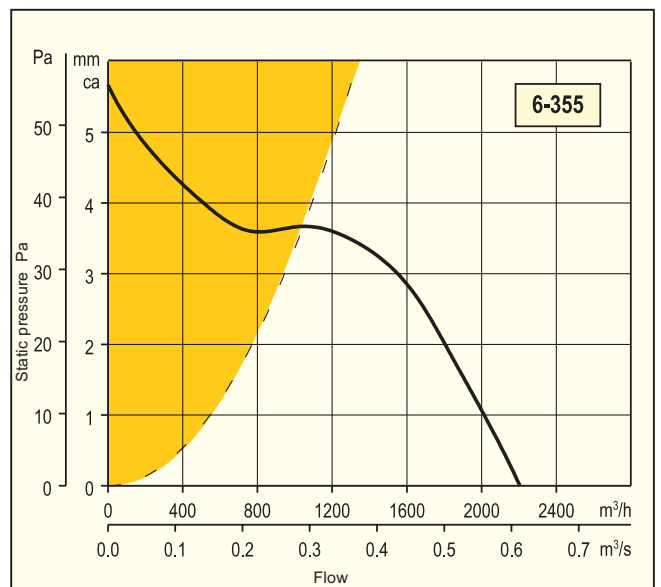
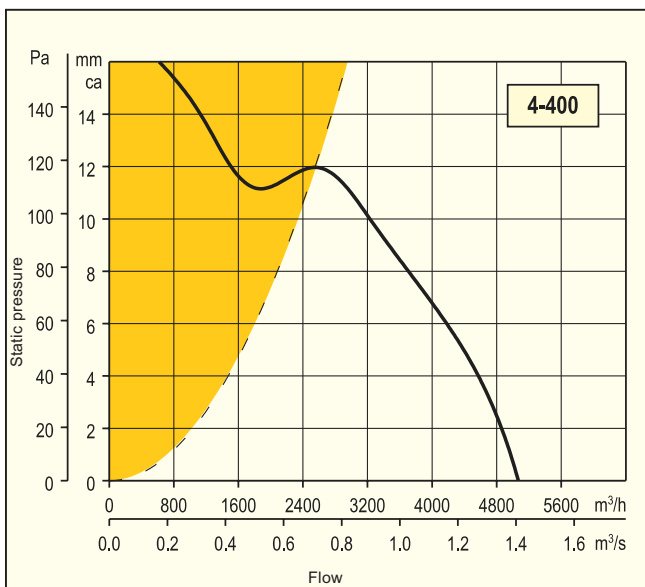
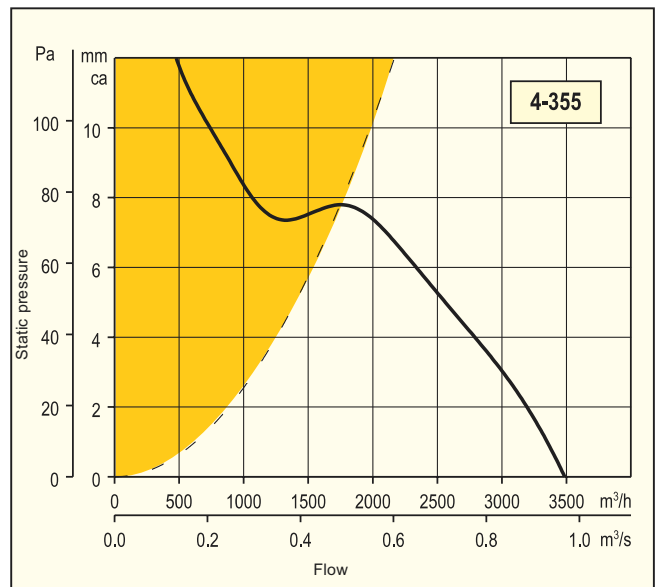
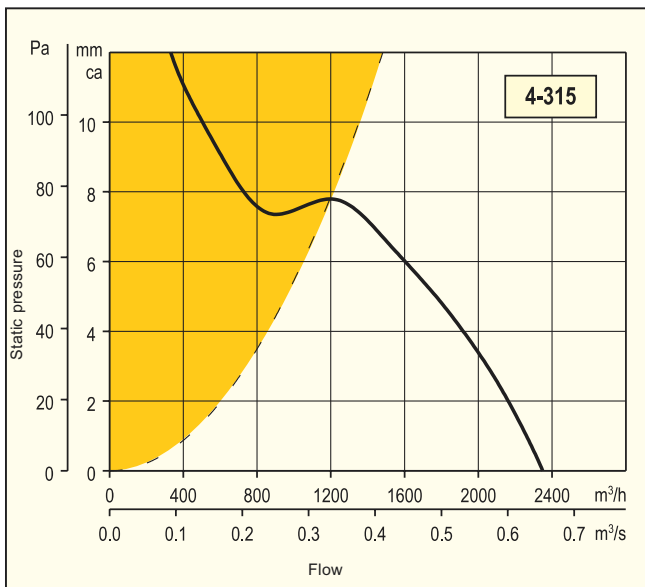
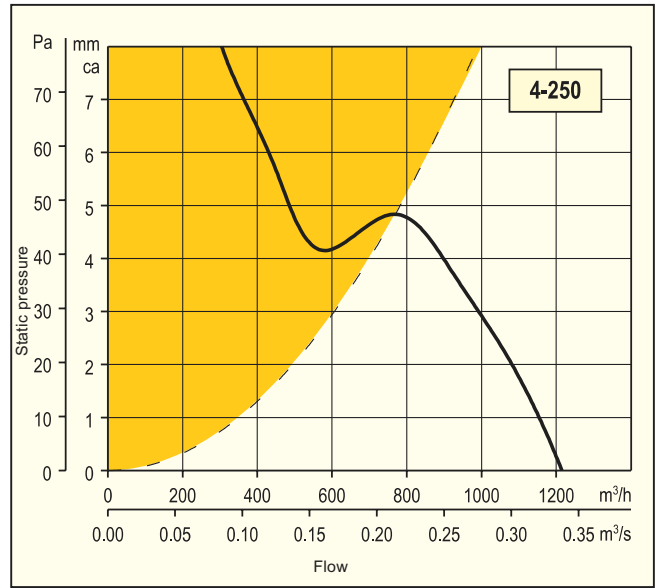
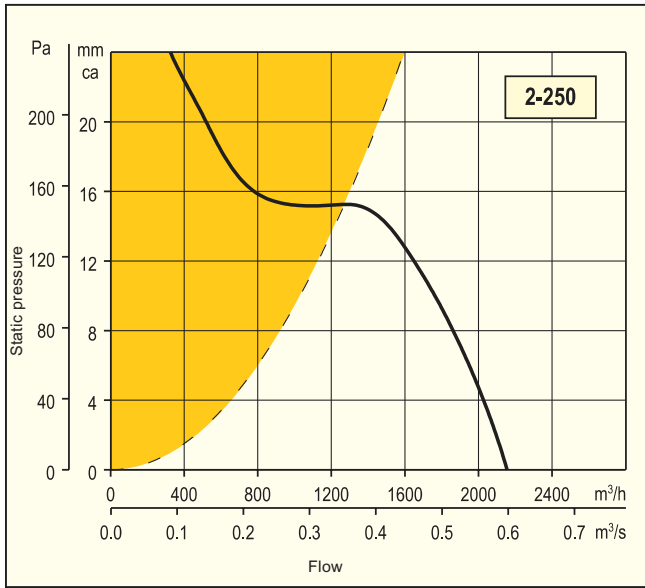
Technical specification HCFT / HCFB

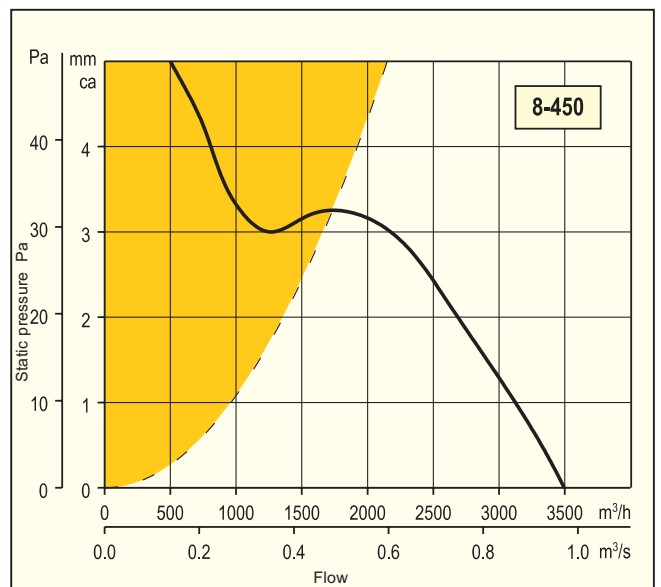
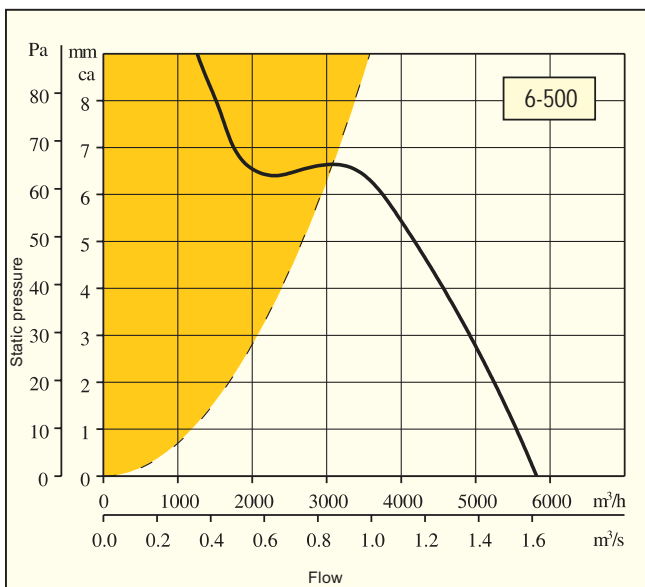
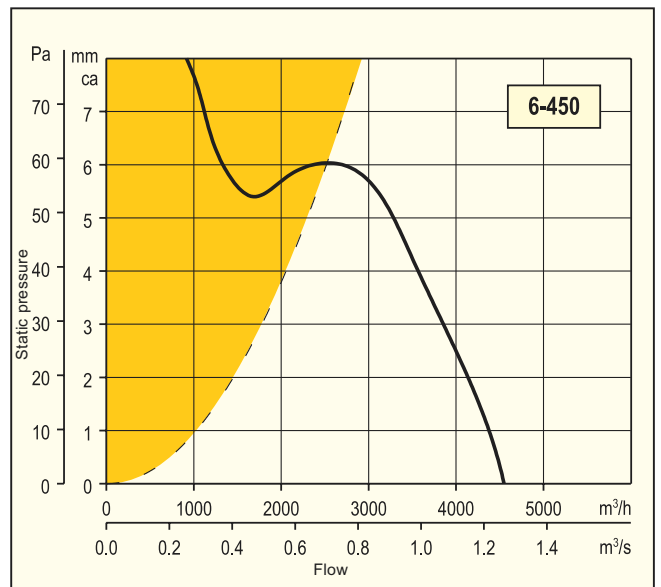
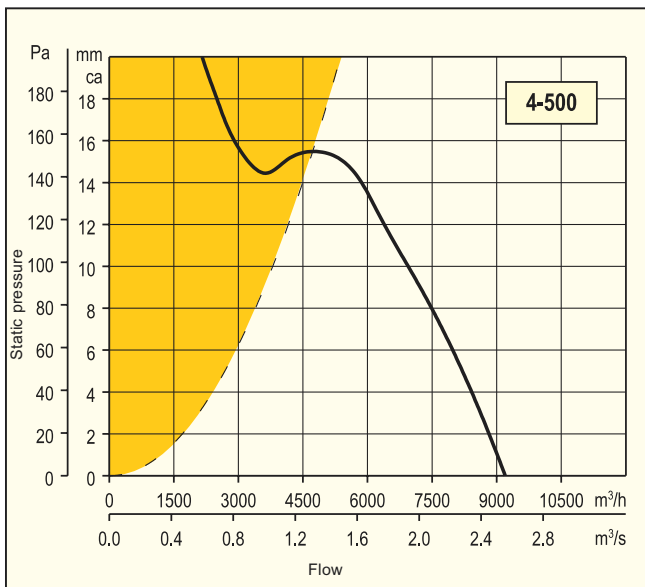
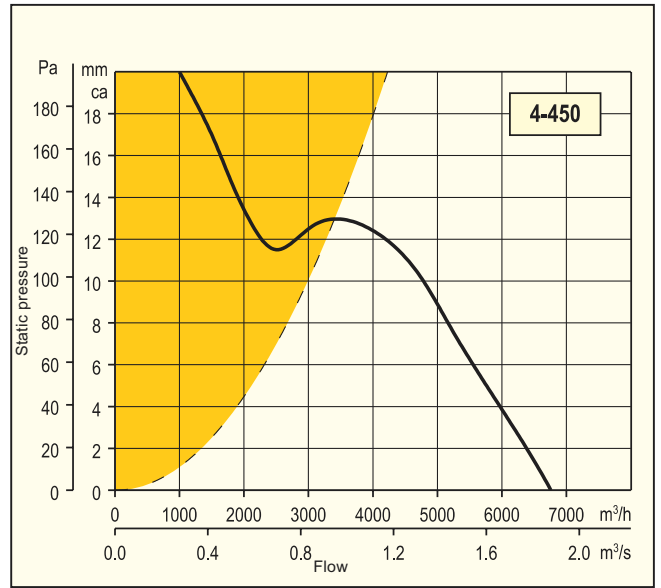
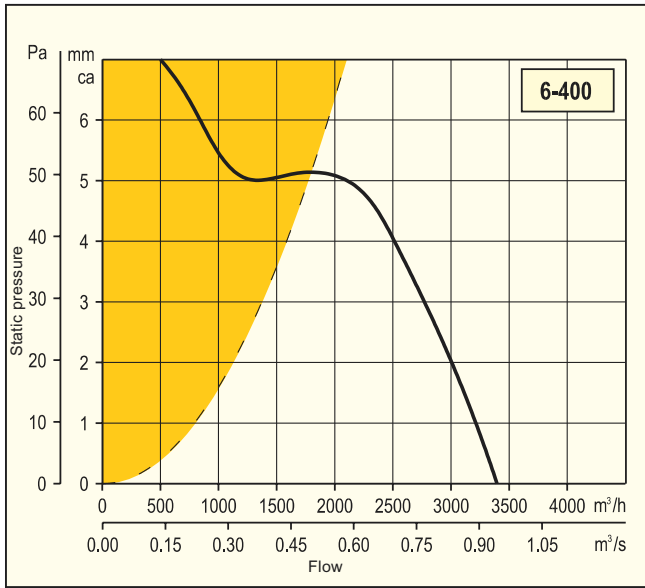
| | Number of poles | Type | Speed | Maximum power absorbed W | Maximum current A | | Duty at free discharge (max) m³/h | Sound pressure level dB (A) | Weight kg | Speed regulation device | Article number |
|---------------------|-----------------|---------------|-------|-----------------------------|----------------------|-------|--------------------------------------|--------------------------------|--------------|-------------------------|----------------|
| | | Wall version | rpm | | 230 V | 400 V | | | | | |
| SINGLE-PHASE | 2 | HCFB/2-250/H | 2500 | 250 | 1,2 | — | 2160 | 65 | 4,4 | — | 112 300 885 |
| | | | | | | | | | | | |
| | 4 | HCFB/4-250/H | 1330 | 60 | 0,3 | — | 1215 | 52 | 4,4 | REB-1 | 112 300 995 |
| | | HCFB/4-315/H | 1300 | 100 | 0,6 | — | 2350 | 54 | 6,5 | REB-1 | 112 301 051 |
| | | HCFB/4-355/H | 1225 | 200 | 1,0 | — | 3490 | 58 | 7,6 | REB-2,5 | 112 301 151 |
| | | HCFB/4-400/H | 1200 | 340 | 1,6 | — | 5070 | 60 | 9,0 | REB-2,5 | 112 301 251 |
| | | HCFB/4-450/H | 1290 | 480 | 2,3 | — | 6760 | 65 | 13,0 | REB-2,5 | 112 301 361 |
| | | HCFB/4-500/H | 1290 | 650 | 3,0 | — | 9200 | 68 | 15,4 | REB-5N | 112 301 451 |
| | | HCFB/4-560/H | 1250 | 980 | 4,9 | — | 12480 | 71 | 21,3 | REB-5N | 112 301 551 |
| | 6 | HCFB/4-630/H | 1200 | 1700 | 7,6 | — | 17060 | 72 | 25,0 | — | 112 301 651 |
| | | HCFB/6-355/H | 800 | 90 | 0,5 | — | 2210 | 50 | 7,6 | REB-1 | 112 303 051 |
| | | HCFB/6-400/H | 750 | 110 | 0,6 | — | 3400 | 52 | 9,0 | REB-1 | 112 303 151 |
| | | HCFB/6-450/H | 835 | 220 | 1,2 | — | 4550 | 53 | 13,0 | REB-2,5 | 112 303 251 |
| | | HCFB/6-500/H | 840 | 290 | 1,6 | — | 5820 | 56 | 15,4 | REB-2,5 | 112 303 351 |
| | | HCFB/6-560/H | 900 | 420 | 2,4 | — | 7870 | 59 | 21,3 | REB-2,5 | 112 303 451 |
| | | HCFB/6-630/H | 800 | 510 | 2,6 | — | 10750 | 60 | 25,0 | REB-5N | 112 303 551 |
| | 8 | HCFB/6-710/H | 900 | 1300 | 5,7 | — | 17570 | 66 | 27,0 | — | 112 303 651 |
| | | HCFB/8-450/H | 625 | 130 | 0,7 | — | 3500 | 48 | 13,0 | REB-1 | 112 306 251 |
| | | HCFB/8-500/H | 605 | 160 | 0,9 | — | 4660 | 49 | 16,0 | REB-1 | 112 306 351 |
| | | HCFB/8-560/H | 610 | 240 | 1,3 | — | 5990 | 51 | 21,3 | REB-2,5 | 112 306 451 |
| HCFB/8-630/H | | 585 | 320 | 1,7 | — | 8340 | 52 | 25,0 | REB-2,5 | 112 306 551 | |
| | | HCFB/8-710/H | 625 | 480 | 2,4 | — | 11960 | 60 | 27,0 | — | 112 306 651 |
| THREE-PHASE | 2 | HCFT/2-250/H | 2500 | 250 | — | 0,5 | 2160 | 65 | 5,0 | — | 112 289 035 |
| | | | | | | | | | | | |
| | 4 | HCFT/4-250/H | 1330 | 60 | — | 0,2 | 1220 | 52 | 4,4 | RMT-1,5 | 112 209 895 |
| | | HCFT/4-315/H | 1300 | 150 | — | 0,3 | 2350 | 54 | 6,5 | RMT-1,5 | 112 300 051 |
| | | HCFT/4-355/H | 1260 | 200 | — | 0,5 | 3490 | 58 | 7,6 | RMT-1,5 | 112 300 151 |
| | | HCFT/4-400/H | 1350 | 300 | — | 0,8 | 5070 | 60 | 9,0 | RMT-1,5 | 112 300 251 |
| | | HCFT/4-450/H | 1230 | 500 | — | 1,0 | 6760 | 65 | 13,0 | RMT-1,5 | 112 300 351 |
| | | HCFT/4-500/H | 1350 | 660 | — | 1,6 | 9200 | 68 | 16,0 | RMT-3,5 | 112 300 451 |
| | | HCFT/4-560/H | 1320 | 1210 | — | 2,3 | 12480 | 71 | 22,0 | RMT-3,5 | 112 300 551 |
| | | HCFT/4-630/H | 1420 | 1550 | — | 3,0 | 17060 | 72 | 25,0 | — | 112 300 651 |
| | | HCFT/4-710/H | 1350 | 2200 | — | 4,0 | 22150 | 75 | 27,0 | — | 113 300 710 |
| | | HCFT/4-800/L | 1420 | 2300 | — | 3,8 | 24960 | 79 | 37,0 | — | 112 300 711 |
| | | HCFT/4-800/H | 1430 | 4200 | — | 7,3 | 32600 | 82 | 52,0 | — | 112 300 715 |
| | | HCFT/4-1000/L | 1400 | 4400 | — | 7,1 | 42000 | 84 | 67,0 | — | 112 300 721 |
| | HCFT/4-1000/H | 1460 | 7200 | — | 12,0 | 54000 | 87 | 95,0 | — | 112 300 725 | |
| | 6 | HCFT/6-355/H | 875 | 90 | — | 0,3 | 2210 | 50 | 7,6 | RMT-1,5 | 112 302 051 |
| | | HCFT/6-400/H | 830 | 110 | — | 0,3 | 3400 | 52 | 9,0 | RMT-1,5 | 112 302 151 |
| | | HCFT/6-450/H | 835 | 190 | — | 0,5 | 4550 | 53 | 13,0 | RMT-1,5 | 112 302 251 |
| | | HCFT/6-500/H | 840 | 250 | — | 0,5 | 5820 | 56 | 16,0 | RMT-1,5 | 112 302 351 |
| | | HCFT/6-560/H | 900 | 410 | — | 0,9 | 8260 | 59 | 22,0 | RMT-1,5 | 112 302 451 |
| | | HCFT/6-630/H | 810 | 460 | — | 1,2 | 11000 | 60 | 25,0 | RMT-1,5 | 112 302 551 |
| | | HCFT/6-710/H | 920 | 1100 | — | 2,8 | 16500 | 66 | 27,0 | — | 113 302 701 |
| | | HCFT/6-800/L | 900 | 1180 | — | 2,2 | 19370 | 70 | 31,0 | — | 112 302 711 |
| | | HCFT/6-800/H | 940 | 1220 | — | 2,5 | 22000 | 72 | 36,0 | — | 112 302 715 |
| | | HCFT/6-1000/L | 940 | 1400 | — | 3,2 | 28000 | 75 | 54,0 | — | 112 302 721 |
| | HCFT/6-1000/H | 950 | 2330 | — | 4,4 | 36400 | 78 | 62,0 | — | 112 302 725 | |
| | 8 | HCFT/8-450/H | 660 | 130 | — | 0,4 | 3500 | 51 | 13,0 | RMT-1,5 | 112 304 051 |
| | | HCFT/8-500/H | 625 | 150 | — | 0,4 | 4660 | 53 | 15,4 | RMT-1,5 | 112 304 151 |
| | | HCFT/8-560/H | 610 | 230 | — | 0,6 | 5990 | 55 | 21,3 | RMT-1,5 | 112 304 251 |
| | | HCFT/8-630/H | 635 | 310 | — | 0,8 | 8340 | 57 | 25,0 | RMT-1,5 | 112 304 301 |
| HCFT/8-710/H | | 670 | 450 | — | 1,2 | 11960 | 60 | 27,0 | — | 112 304 361 | |
| HCFT/8-800/L | | 710 | 580 | — | 1,3 | 14000 | 63 | 63,0 | — | 112 305 365 | |
| HCFT/8-800/H | | 690 | 700 | — | 1,7 | 17160 | 65 | 64,0 | — | 112 304 371 | |
| HCFT/8-1000/L | | 700 | 720 | — | 1,7 | 20490 | 68 | 68,0 | — | 112 304 375 | |
| HCFT/9-1000/H | | 725 | 1100 | — | 2,7 | 27040 | 72 | 71,0 | — | 112 304 381 | |

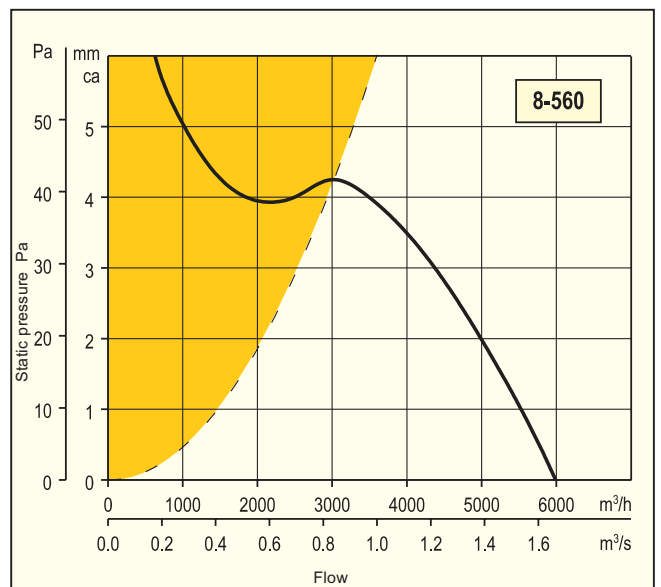
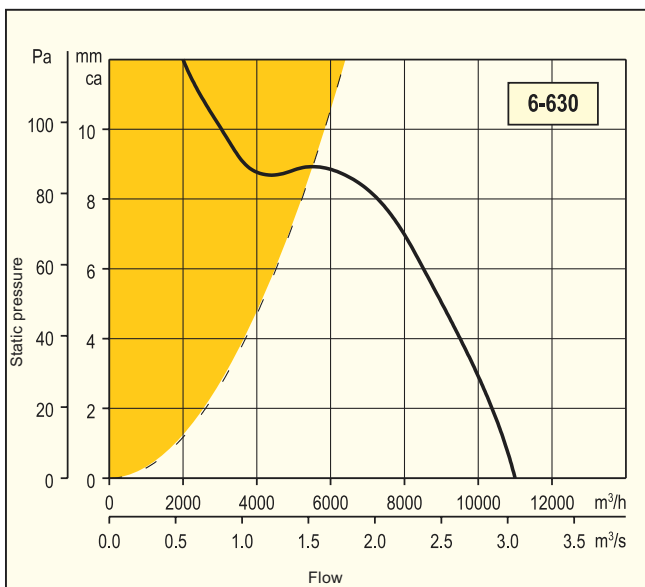
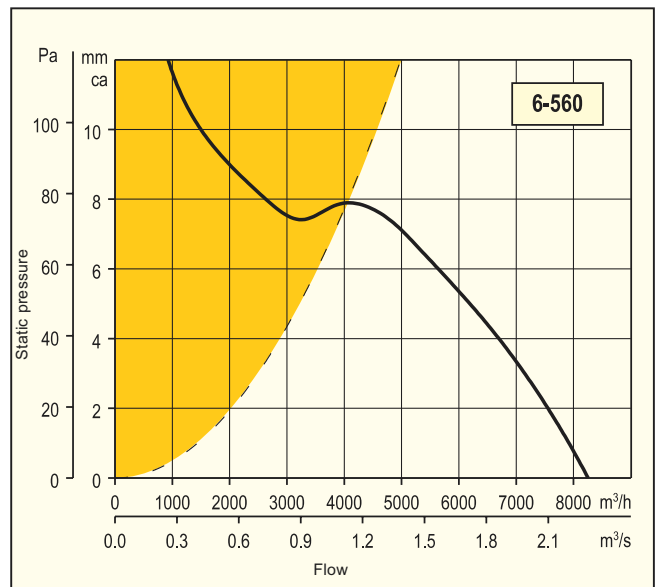
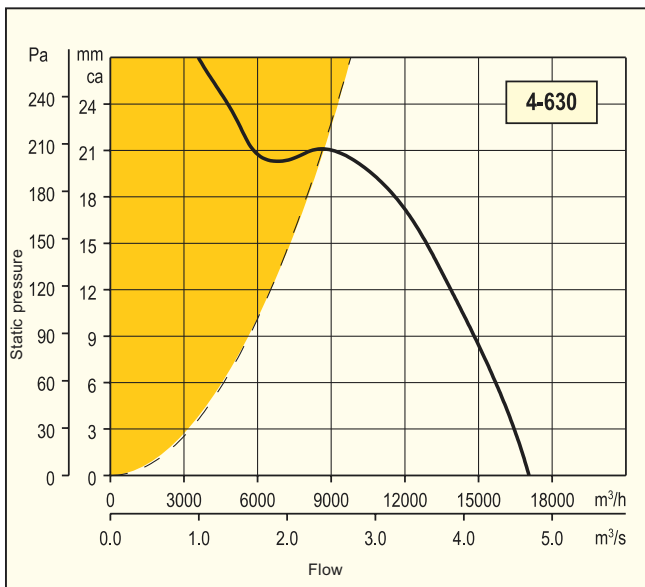
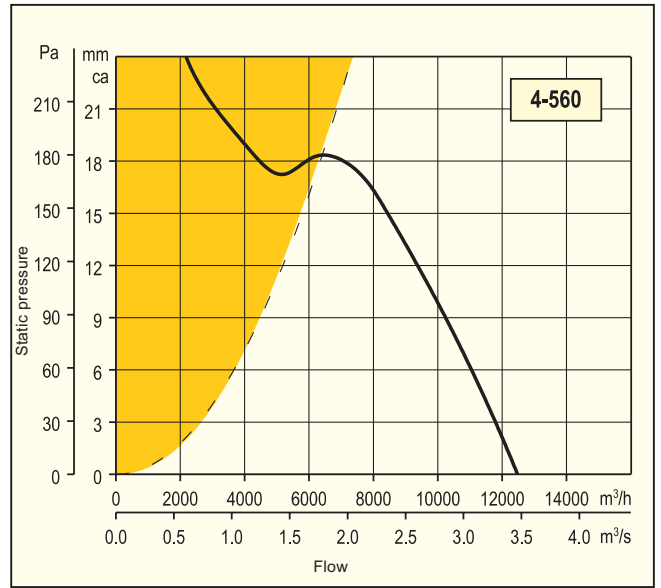
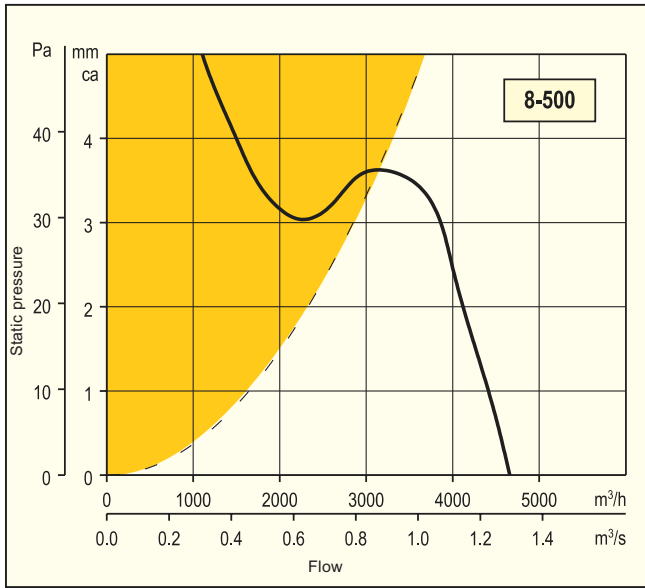
Technical specification HCBT / HCBB

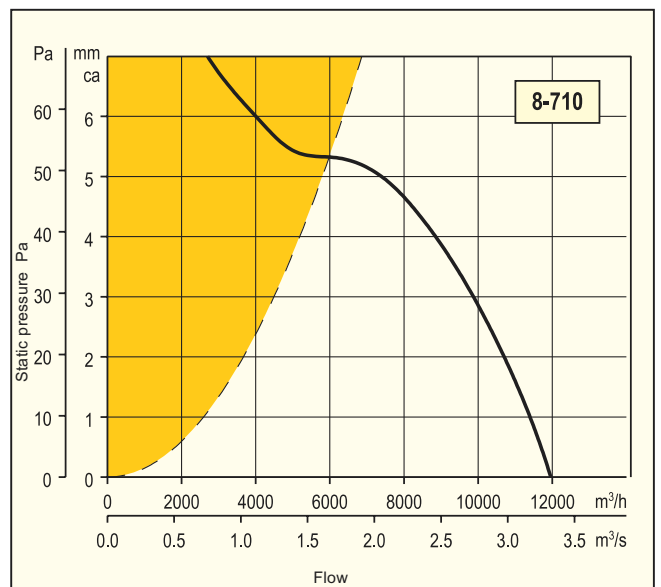
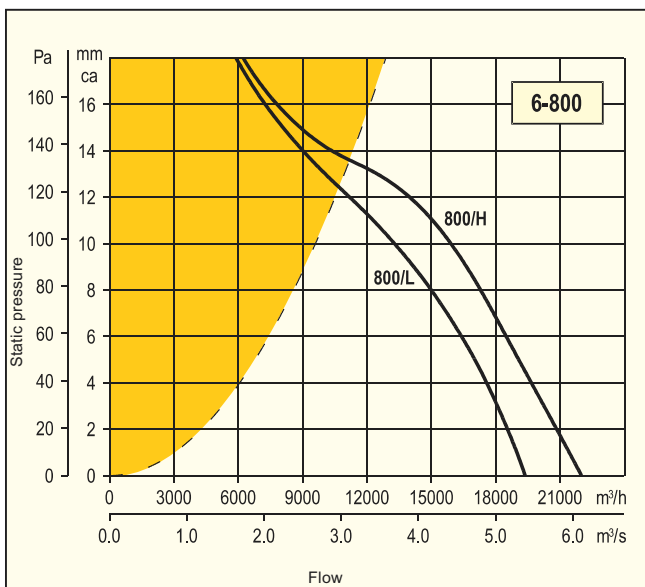
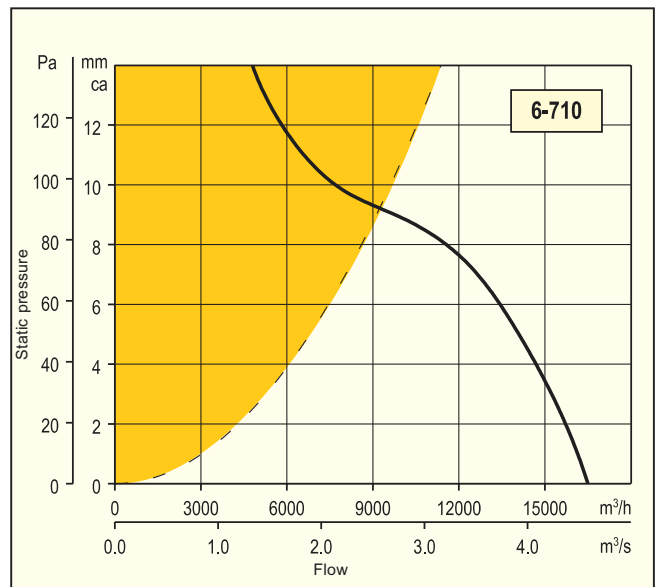
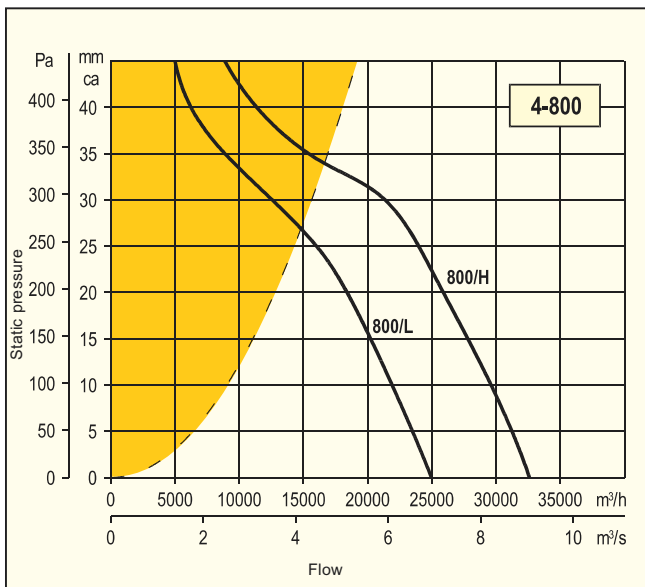
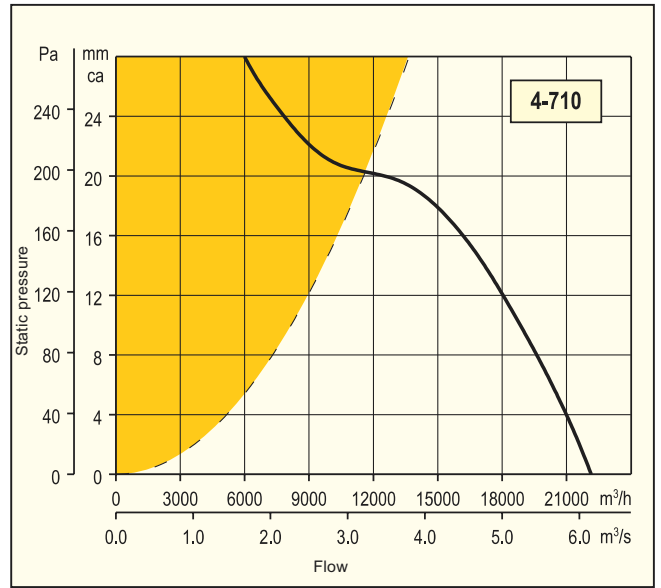
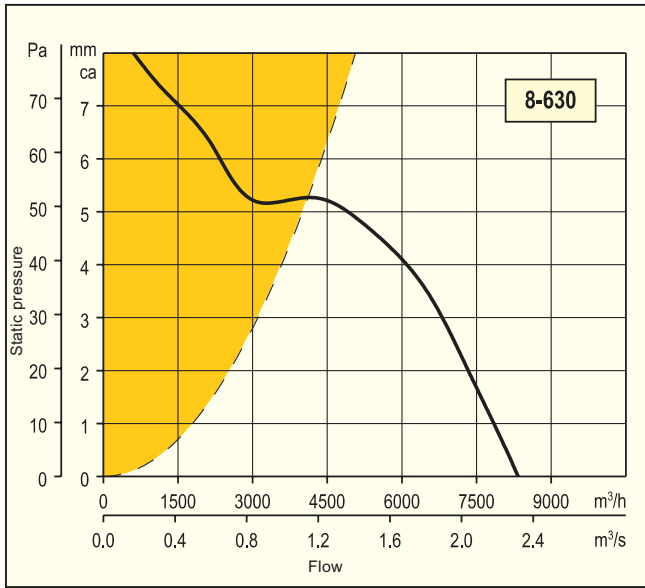
| | Number of poles | Type | Speed rpm | Maximum power absorbed W | Maximum current A | | Sound pressure level dB (A) | Duty at free discharge (max) m³/h | Weight kg | Speed regulation device | Article number | |
|---------------|-----------------|---------------|--------------|--------------------------|-------------------|-------|-----------------------------|-----------------------------------|-----------|-------------------------|----------------|-------------|
| | | Wall version | | | 230 V | 400 V | | | | | | |
| SINGLE-PHASE | 2 | HCBB/2-250/H | 2500 | 250 | 1,2 | — | 65 | 2160 | 5 | — | 112 300 881 | |
| | | | | | | | | | | | | |
| | 4 | HCBB/4-250/H | 1330 | 60 | 0,3 | — | 52 | 1215 | 5 | REB-1 | 112 300 991 | |
| | | HCBB/4-315/H | 1300 | 100 | 0,6 | — | 54 | 2350 | 7 | REB-1 | 112 301 071 | |
| | | HCBB/4-355/H | 1225 | 200 | 1,0 | — | 58 | 3490 | 8 | REB-2,5 | 112 301 171 | |
| | | HCBB/4-400/H | 1200 | 340 | 1,6 | — | 60 | 5070 | 9 | REB-2,5 | 112 301 271 | |
| | | HCBB/4-450/H | 1290 | 480 | 2,3 | — | 65 | 6760 | 13 | REB-2,5 | 112 301 371 | |
| | | HCBB/4-500/H | 1290 | 650 | 3,0 | — | 68 | 9200 | 16 | REB-5N | 112 301 471 | |
| | | HCBB/4-560/H | 1250 | 980 | 4,9 | — | 71 | 12480 | 22 | REB-5N | 112 301 571 | |
| | | HCBB/4-630/H | 1200 | 1700 | 7,6 | — | 72 | 17060 | 25 | — | 112 301 671 | |
| | 6 | HCBB/6-355/H | 800 | 90 | 0,5 | — | 50 | 2210 | 8 | REB-1 | 112 303 071 | |
| | | HCBB/6-400/H | 750 | 110 | 0,6 | — | 52 | 3400 | 9 | REB-1 | 112 303 171 | |
| | | HCBB/6-450/H | 835 | 220 | 1,2 | — | 53 | 4550 | 13 | REB-2,5 | 112 303 271 | |
| | | HCBB/6-500/H | 840 | 290 | 1,6 | — | 56 | 5820 | 16 | REB-2,5 | 112 303 371 | |
| | | HCBB/6-560/H | 900 | 420 | 2,4 | — | 59 | 7870 | 22 | REB-2,5 | 112 303 471 | |
| | | HCBB/6-630/H | 800 | 510 | 2,6 | — | 60 | 10750 | 25 | REB-5N | 112 303 571 | |
| | | HCBB/6-710/H | 900 | 1300 | 5,7 | — | 66 | 17570 | 27 | — | 112 303 671 | |
| | | | | | | | | | | | | |
| | 8 | HCBB/8-450/H | 625 | 130 | 0,7 | — | 46 | 3500 | 13 | REB-1 | 112 306 271 | |
| | | HCBB/8-500/H | 605 | 160 | 0,9 | — | 49 | 4660 | 16 | REB-1 | 112 306 371 | |
| | | HCBB/8-560/H | 610 | 240 | 1,3 | — | 52 | 5990 | 22 | REB-2,5 | 112 306 471 | |
| | | HCBB/8-630/H | 585 | 320 | 1,7 | — | 53 | 8340 | 25 | REB-2,5 | 112 306 571 | |
| | | HCBB/8-710/H | 625 | 480 | 2,4 | — | 59 | 11960 | 27 | — | 112 306 671 | |
| | THREE-PHASE | 2 | HCBT/2-250/H | 2500 | 250 | 0,9 | 0,5 | 65 | 2160 | 5 | — | 112 289 075 |
| | | | | | | | | | | | | |
| | | 4 | HCBT/4-250/H | 1330 | 60 | 0,3 | 0,2 | 52 | 1220 | 5 | RMT-1,5 | 112 209 875 |
| | | | HCBT/4-315/H | 1300 | 150 | 0,6 | 0,3 | 54 | 2350 | 7 | RMT-1,5 | 112 300 071 |
| | | | HCBT/4-355/H | 1260 | 200 | 0,8 | 0,5 | 58 | 3490 | 8 | RMT-1,5 | 112 300 171 |
| HCBT/4-400/H | | | 1350 | 300 | 1,4 | 0,8 | 60 | 5070 | 9 | RMT-1,5 | 112 300 271 | |
| HCBT/4-450/H | | | 1230 | 500 | 1,7 | 1,0 | 65 | 6760 | 13 | RMT-1,5 | 112 300 371 | |
| HCBT/4-500/H | | | 1350 | 660 | 2,7 | 1,6 | 68 | 9200 | 16 | RMT-3,5 | 112 300 471 | |
| HCBT/4-560/H | | | 1320 | 1210 | 3,9 | 2,3 | 71 | 12480 | 22 | RMT-3,5 | 112 300 571 | |
| HCBT/4-630/H | | | 1420 | 1550 | 5,2 | 3,0 | 72 | 17060 | 25 | — | 112 300 671 | |
| HCBT/4-710/H | | | 1350 | 2200 | 7,0 | 4,0 | 75 | 22150 | 27 | — | 112 300 770 | |
| HCBT/4-800/L | | | 1420 | 2300 | 6,6 | 3,8 | 79 | 24960 | 37 | — | 112 300 771 | |
| HCBT/4-800/H | | | 1430 | 4200 | 12,6 | 7,3 | 82 | 32600 | 52 | — | 112 300 775 | |
| HCBT/4-1000/L | | | 1400 | 4400 | 12,3 | 7,1 | 84 | 42000 | 67 | — | 112 300 776 | |
| HCBT/4-1000/H | | 1460 | 7200 | 20,5 | 12,0 | 87 | 54000 | 95 | — | 112 300 777 | | |
| 6 | | HCBT/6-355/H | 875 | 90 | 0,5 | 0,3 | 50 | 2210 | 8 | RMT-1,5 | 112 302 071 | |
| | | HCBT/6-400/H | 830 | 110 | 0,5 | 0,3 | 52 | 3400 | 9 | RMT-1,5 | 112 302 171 | |
| | | HCBT/6-450/H | 835 | 190 | 0,8 | 0,5 | 53 | 4550 | 13 | RMT-1,5 | 112 302 271 | |
| | | HCBT/6-500/H | 840 | 250 | 0,9 | 0,5 | 56 | 5820 | 16 | RMT-1,5 | 112 302 371 | |
| | | HCBT/6-560/H | 900 | 410 | 1,6 | 0,9 | 59 | 8260 | 22 | RMT-1,5 | 112 302 471 | |
| | | HCBT/6-630/H | 810 | 460 | 2,0 | 1,2 | 60 | 11000 | 25 | RMT-1,5 | 112 302 571 | |
| | | HCBT/6-710/H | 920 | 1100 | 4,9 | 2,8 | 66 | 16500 | 27 | — | 112 302 770 | |
| | | HCBT/6-800/L | 900 | 1180 | 3,9 | 2,2 | 70 | 19370 | 31 | — | 112 302 771 | |
| | | HCBT/6-800/H | 940 | 1220 | 4,3 | 2,5 | 72 | 22000 | 36 | — | 112 302 775 | |
| | | HCBT/6-1000/L | 940 | 1400 | 5,6 | 3,2 | 75 | 28000 | 54 | — | 112 302 776 | |
| HCBT/6-1000/H | | 950 | 2330 | 7,6 | 4,4 | 78 | 36400 | 62 | — | 112 302 777 | | |
| 8 | | HCBT/8-450/H | 660 | 130 | 0,7 | 0,4 | 46 | 3500 | 13 | RMT-1,5 | 112 304 071 | |
| | | HCBT/8-500/H | 625 | 150 | 0,7 | 0,4 | 49 | 4660 | 16 | RMT-1,5 | 112 304 171 | |
| | | HCBT/8-560/H | 610 | 230 | 1,0 | 0,6 | 52 | 5990 | 22 | RMT-1,5 | 112 304 271 | |
| | | HCBT/8-630/H | 635 | 310 | 1,3 | 0,8 | 53 | 8340 | 25 | RMT-1,5 | 112 304 372 | |
| | | HCBT/8-710/H | 970 | 150 | 2,0 | 1,2 | 59 | 11960 | 27 | — | 112 304 373 | |
| | | HCBT/8-800/L | 710 | 580 | 2,2 | 1,3 | 63 | 14000 | 63 | — | 112 304 374 | |
| | HCBT/8-800/H | 690 | 700 | 3,0 | 1,7 | 65 | 17160 | 64 | — | 112 304 376 | | |
| | HCBT/8-1000/L | 700 | 720 | 3,0 | 1,7 | 68 | 20490 | 68 | — | 112 304 377 | | |
| | HCBT/8-1000/H | 725 | 1100 | 4,6 | 2,7 | 72 | 27040 | 71 | — | 112 304 378 | | |

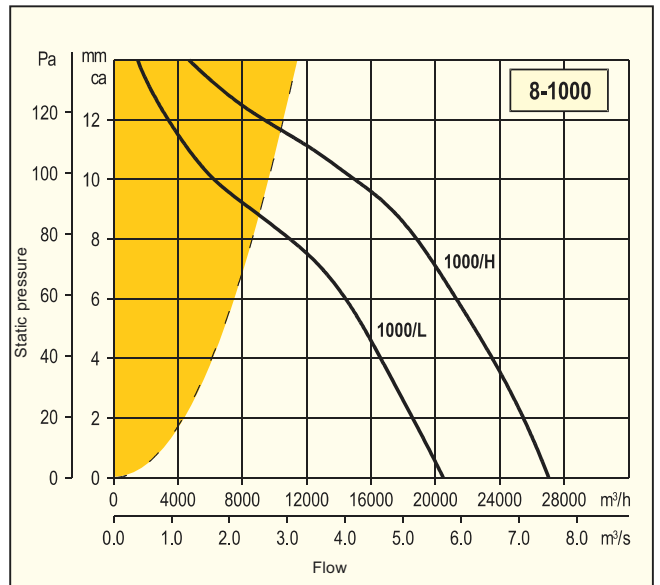
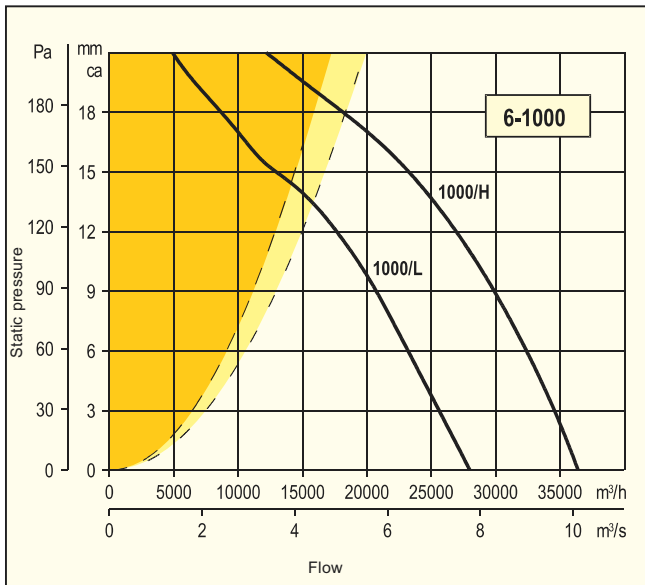
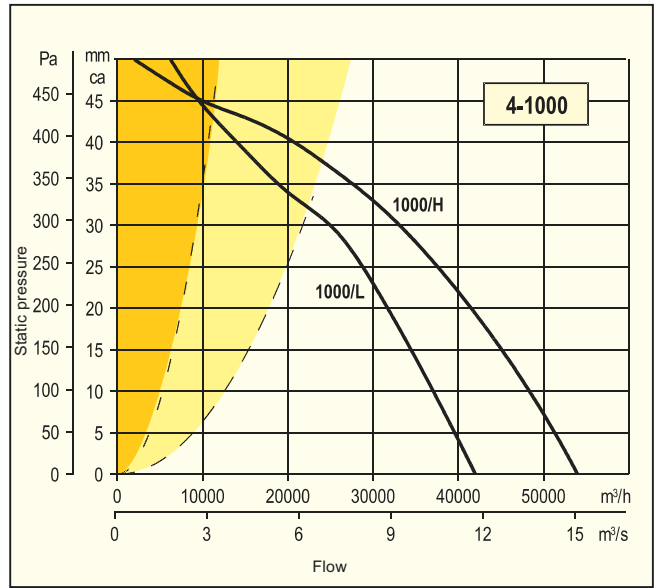
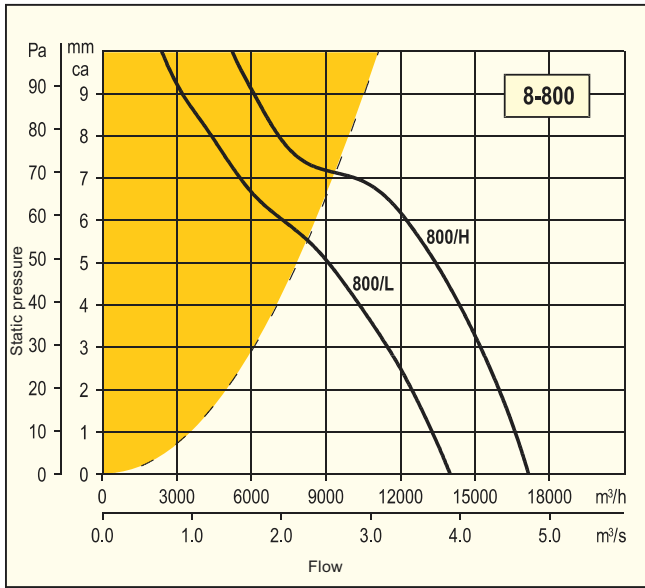
Performance curves













Construction

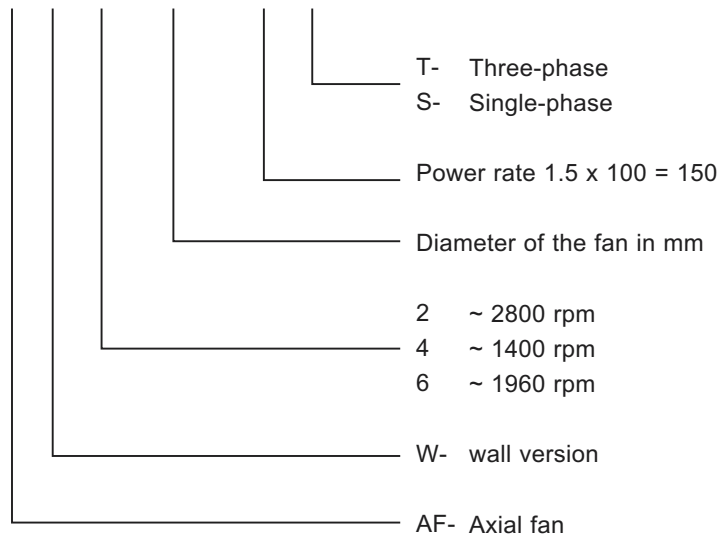
Axial-flow fan for wall mounting. Impeller of polyamide reinforced with anchored fiberglass. Wall plate formed from a steel sheet stamping. The motor and the unique construction of the impeller give compact solidity and allow wall- and duct-mounting in all variable positions.

Motor

220-240/380-420V, 50 Hz (380-420/660-690V over 3kW) three-phase or 220-240V, 50Hz single-phase asynchronous motor with squirrel cage rotor, in accordance with IEC72 and IEC34-1. Insulation class F, enclosure IP55. Special voltage or frequency, improved enclosure IP65, explosion proof motor may be supplied on request. Wiring diagram, see page 235.

Model numbering system

AFW / 2 - 400 - 150 T



Accessories



PER-W
page 68



PER-CN
page 68



REB
page 230



RMB, RMT
page 230

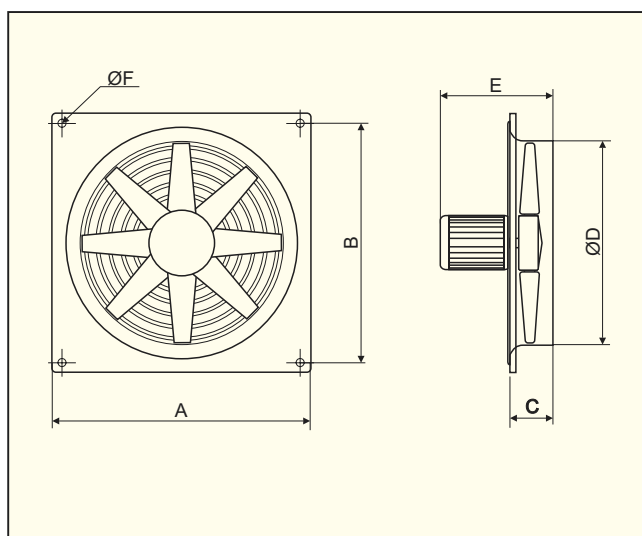
Data

| Type | Speed rpm | Voltage V | Rated output kW | Rated current A | Sound level dB (A)* | Max Flow m³/h | Weight kg | Article number |
|----------------|--------------|--------------|-----------------------|-----------------------|---------------------------|---------------------|--------------|-------------------|
| AFW/2-250-025S | 2850 | 230V | 0,25 | 1,8 | 72 | 2250 | 9 | 213 909 250 |
| AFW/2-315-037S | 2860 | 230V | 0,37 | 2,5 | 74 | 3400 | 10 | 213 909 315 |
| AFW/2-355-055S | 2860 | 230V | 0,55 | 3,4 | 77 | 4500 | 11 | 213 909 355 |
| AFW/2-250-025T | 2760 | 400V | 0,25 | 0,65 | 72 | 2250 | 9 | 213 910 250 |
| AFW/2-250-037T | 2800 | 400V | 0,37 | 1,0 | 72 | 2600 | 10 | 213 910 253 |
| AFW/2-315-037T | 2800 | 400V | 0,37 | 1,0 | 74 | 3400 | 12 | 213 910 315 |
| AFW/2-315-075T | 2800 | 400V | 0,75 | 1,9 | 77 | 5000 | 18 | 213 910 317 |
| AFW/2-355-055T | 2790 | 400V | 0,55 | 1,35 | 77 | 4500 | 14 | 213 910 355 |
| AFW/2-355-110T | 2780 | 400V | 1,1 | 2,5 | 78 | 5700 | 22 | 213 910 358 |
| AFW/2-400-150 | 2800 | 400V | 1,5 | 3,4 | 80 | 7800 | 30 | 213 910 400 |
| AFW/2-450-220 | 2800 | 400V | 2,2 | 4,7 | 81 | 9500 | 38 | 213 910 450 |
| AFW/2-450-300 | 2800 | 400V | 3,0 | 6,5 | 81 | 12000 | 38 | 213 910 455 |
| AFW/2-500-300 | 2800 | 400V | 3,0 | 6,5 | 81 | 15000 | 40 | 213 910 500 |
| AFW/4-560-150 | 1440 | 400V | 1,5 | 4,3 | 82 | 14000 | 33 | 213 910 560 |
| AFW/4-630-220 | 1420 | 400V | 2,2 | 4,8 | 82 | 18200 | 41 | 213 910 630 |
| AFW/4-710-400 | 1440 | 400V | 4,0 | 8,1 | 83 | 25500 | 45 | 213 910 710 |

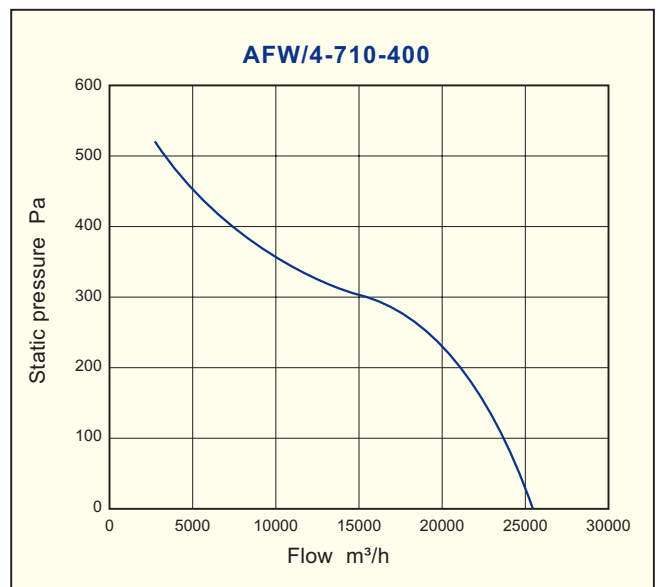
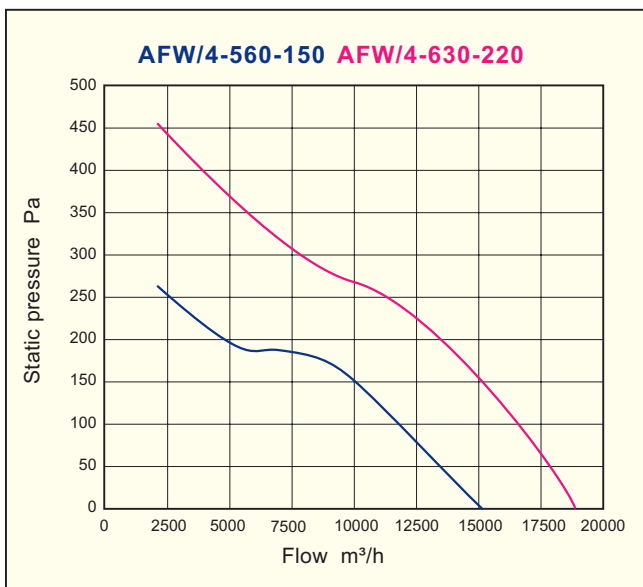
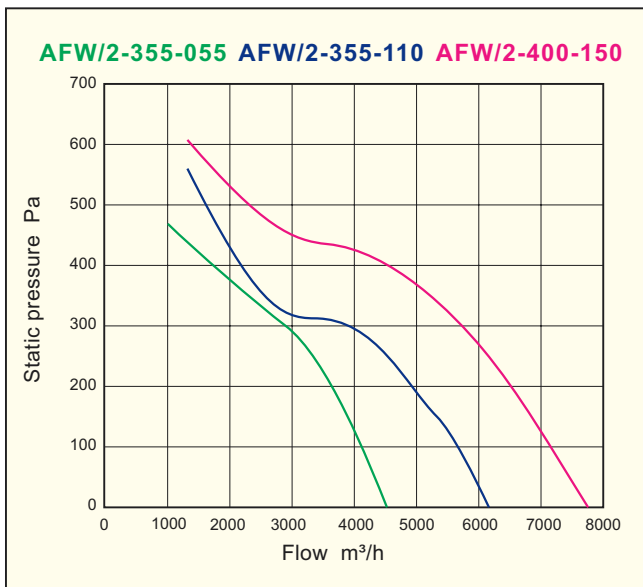
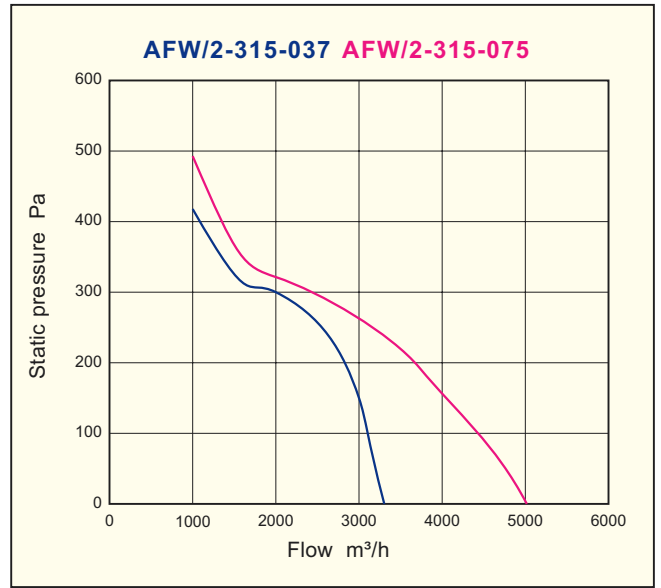
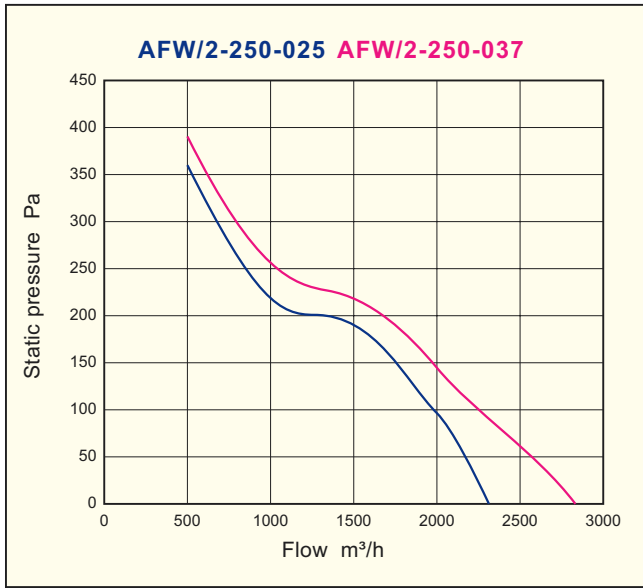
* distance 1m

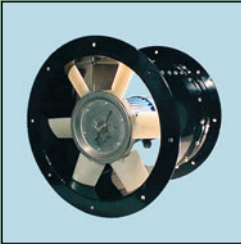
Dimensions in mm

| Type | A | B | C | D | E | F |
|----------------|-----|-----|-----|-----|-----|------|
| AFW/2-250-025 | 315 | 260 | 65 | 254 | 275 | 10 |
| AFW/2-250-037 | 315 | 260 | 65 | 254 | 290 | 10 |
| AFW/2-315-037 | 400 | 330 | 80 | 315 | 300 | 10 |
| AFW/2-315-075 | 400 | 330 | 80 | 315 | 320 | 10 |
| AFW/2-355-055 | 450 | 380 | 87 | 355 | 320 | 10 |
| AFW/2-355-110 | 450 | 380 | 87 | 355 | 320 | 10 |
| AFW/2-400-150 | 500 | 420 | 90 | 400 | 350 | 10 |
| AFW/2-450-220 | 560 | 480 | 103 | 450 | 390 | 10 |
| AFW/2-450-300 | 560 | 480 | 103 | 450 | 390 | 10 |
| AFW/2-500-300 | 630 | 560 | 110 | 500 | 400 | 10 |
| AFW/4-560-150 | 710 | 630 | 110 | 560 | 400 | 10 |
| AFW/4-630-220 | 800 | 710 | 115 | 630 | 425 | 10 |
| AFW/4-710-400* | 900 | 800 | 110 | 710 | 430 | 10,5 |



Performance curves





| | |
|-----------------------|-----------|
| COMPACT | 44 |
| TCBBx2, TCBTx2 | 52 |
| AFC | 54 |
| AFC - VB | 58 |
| AFC - HT | 60 |
| AFD | 61 |
| AFH | 63 |
| AFS | 65 |
| AFK | 67 |
| Accessories | 68 |

In-Line Fans

Axial-flow Fans Wall Versions

Axial-flow Fans Cased Versions

Roof Fans

Fans "ATEX"

Centrifugal Fans VISP/VASP

Centrifugal Fans

Side Channel Blowers

Chip Extractors

Domestic Fans

Accessories

Electric Diagrams

General Information

Index



TCFT, TCFB

Construction

Motor with painted cast aluminum casing. Impellers made of injection moulded plastic reinforced with anchored fiberglass, UV stable (TCFT/TCFB), or die casted in aluminium (TCBT/TCBB). Dynamic balanced according to ISO 1940. Adjustable impellers in plastic or aluminium can be supplied on request. For duct installation the fan is mounted in a casing of steel sheet. The motor and the unique construction of the impeller give compact solidity and allow wall- and duct-mounting in all variable positions.

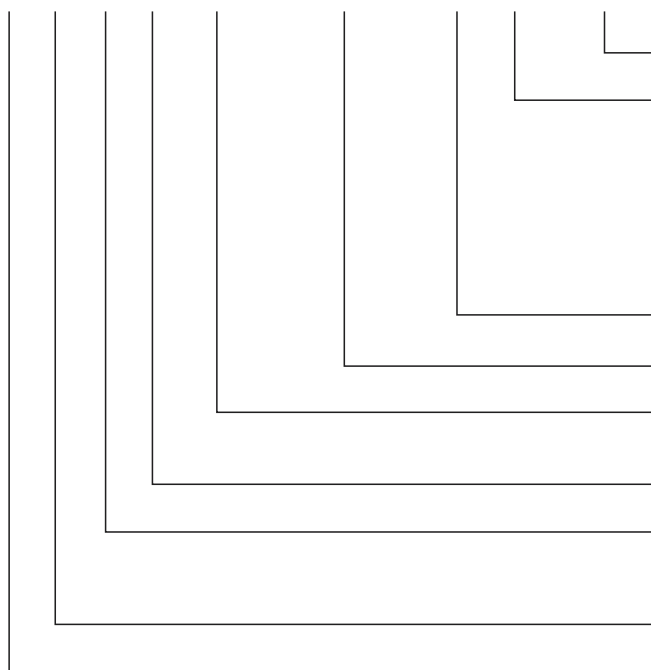
Motor

380–415V, 50Hz three-phase alt. 220–240V, 50Hz single-phase asynchronous motor, thermal protection with outgoing leads to the terminal box. Enclosure IP65 according to UNE 113 and IEC 34–1 (size /4-710 and 800 are IP55). Insulation class F for a maximum

environmental temperature of +70°C. The motor is designed according to IEC 34–1 and is dynamic balanced according to ISO 1940. Speed controllable by variation of the supply voltage by means of transformer or electric regulator (not size /4-560, -4-630, 710 and 800). Special voltage or frequency, improved enclosure can be supplied on request.

Wiring diagram, see page 235.

Model numbering system



Special version

- A** = air direction motor - impeller for wall mounting
- B** = air direction impeller - motor, standard for duct mounting
- Ex** = explosion proof motor EExe II T3
- L** = weather proof enclosure **M** = extended lead (830mm long)
- S** = motor and impeller only

Blade angle **H** = high (approx 34°) **L** = low (approx 22°)

Nominal diameter in mm

Speed: 2 = approx 2900rpm 50Hz 4 = approx 1400rpm 50Hz
 6 = approx 900rpm 50Hz 8 = approx 700rpm 50Hz

Type of motor: **T** = three-phase **B** = single-phase

Impeller: **F** = fixed blades impeller, standard
 G = adjustable blade impellers
 B = impeller in aluminium

C = compact series

Fan mounting: **H** = wall mounted **T** = case duct mounted

Accessories



ACOP
page 68



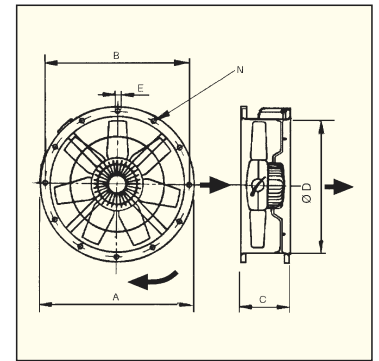
REB
page 230



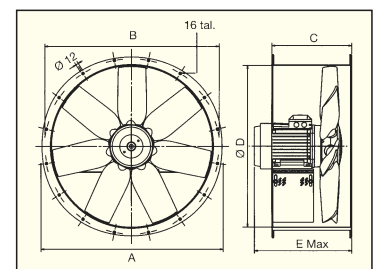
RMB, RMT
page 230

Dimensions in mm

| Type | ØA | B | C | ØD | ØE | Number of holes N |
|-------------|-----|-----|-----|-----|----|-------------------|
| 250 | 327 | 292 | 170 | 254 | 10 | 4 |
| 315 | 386 | 355 | 170 | 315 | 10 | 8 |
| 355 | 426 | 395 | 170 | 355 | 10 | 8 |
| 400 | 487 | 450 | 170 | 400 | 12 | 8 |
| 450 | 537 | 500 | 180 | 450 | 12 | 8 |
| 500 | 595 | 560 | 180 | 500 | 12 | 12 |
| 560 | 655 | 630 | 240 | 560 | 12 | 12 |
| 630 | 725 | 690 | 240 | 630 | 12 | 12 |
| 710 (6/8 p) | 806 | 770 | 240 | 710 | 12 | 16 |



| Type | ØA | B | C | ØD | E | | |
|-------------|-----|-----|-----|-----|-----|-----|-----|
| | | | | | 4 p | 6 p | 8 p |
| 710/L (4 p) | 806 | 770 | 350 | 710 | 405 | - | - |
| 710/H (4 p) | 806 | 770 | 350 | 710 | 426 | - | - |
| 800/L | 896 | 860 | 350 | 800 | 419 | 398 | 398 |
| 800/K | 896 | 860 | 350 | 800 | 415 | 419 | 398 |
| 800/G | 896 | 860 | 350 | 800 | 471 | 415 | 419 |
| 800/H | 896 | 860 | 350 | 800 | 471 | 415 | 419 |



Acoustic characteristics Sound pressure level dB(A)

2-POLE

| Type \ Hz | 63 | 125 | 250 | 500 | 1000 | 2000 | 4000 | 8000 |
|-----------|----|-----|-----|-----|------|------|------|------|
| 2-250/H | 50 | 61 | 68 | 73 | 74 | 74 | 67 | 58 |

6-POLE

| Type \ Hz | 63 | 125 | 250 | 500 | 1000 | 2000 | 4000 | 8000 |
|-----------|----|-----|-----|-----|------|------|------|------|
| 6-355/H | 39 | 45 | 46 | 52 | 53 | 54 | 48 | 37 |
| 6-400/H | 34 | 46 | 49 | 59 | 60 | 60 | 53 | 41 |
| 6-450/H | 32 | 48 | 52 | 60 | 64 | 62 | 56 | 47 |
| 6-500/H | 36 | 52 | 55 | 64 | 68 | 66 | 60 | 50 |
| 6-560/L | 36 | 51 | 57 | 66 | 70 | 68 | 62 | 54 |
| 6-560/H | 38 | 53 | 59 | 68 | 72 | 70 | 64 | 56 |
| 6-630/L | 37 | 51 | 60 | 69 | 73 | 71 | 65 | 58 |
| 6-630/H | 39 | 53 | 62 | 71 | 75 | 72 | 67 | 60 |
| 6-710/L | 45 | 66 | 72 | 78 | 79 | 76 | 71 | 64 |
| 6-710/H | 48 | 68 | 75 | 81 | 82 | 79 | 74 | 67 |
| 6-800/L | 58 | 74 | 86 | 89 | 89 | 84 | 77 | 68 |
| 6-800/K | 60 | 76 | 88 | 91 | 91 | 85 | 78 | 69 |
| 6-800/G | 61 | 77 | 88 | 92 | 92 | 86 | 79 | 70 |
| 6-800/H | 62 | 79 | 90 | 93 | 94 | 88 | 81 | 72 |

4-POLE

| Type \ Hz | 63 | 125 | 250 | 500 | 1000 | 2000 | 4000 | 8000 |
|-----------|----|-----|-----|-----|------|------|------|------|
| 4-250/H | 44 | 50 | 57 | 58 | 60 | 59 | 53 | 42 |
| 4-315/H | 37 | 47 | 57 | 61 | 66 | 63 | 57 | 48 |
| 4-355/H | 39 | 59 | 56 | 65 | 70 | 66 | 61 | 52 |
| 4-400/H | 41 | 62 | 58 | 67 | 74 | 70 | 66 | 43 |
| 4-450/H | 41 | 57 | 60 | 69 | 73 | 71 | 65 | 55 |
| 4-500/H | 44 | 61 | 64 | 73 | 76 | 75 | 68 | 59 |
| 4-560/L | 44 | 60 | 66 | 75 | 78 | 76 | 71 | 62 |
| 4-560/H | 46 | 61 | 67 | 76 | 80 | 78 | 72 | 64 |
| 4-630/L | 46 | 60 | 69 | 78 | 82 | 80 | 75 | 67 |
| 4-630/H | 47 | 61 | 70 | 79 | 83 | 81 | 76 | 68 |
| 4-710/L | 52 | 72 | 79 | 84 | 86 | 83 | 78 | 70 |
| 4-710/H | 56 | 76 | 83 | 88 | 90 | 86 | 81 | 74 |
| 4-800/L | 64 | 81 | 92 | 95 | 96 | 90 | 83 | 74 |
| 4-800/K | 67 | 83 | 94 | 98 | 98 | 92 | 85 | 76 |
| 4-800/G | 69 | 85 | 96 | 99 | 100 | 94 | 87 | 78 |
| 4-800/H | 71 | 87 | 99 | 102 | 102 | 97 | 90 | 81 |

8-POLE

| Type \ Hz | 63 | 125 | 250 | 500 | 1000 | 2000 | 4000 | 8000 |
|-----------|----|-----|-----|-----|------|------|------|------|
| 8-450/H | 38 | 41 | 47 | 52 | 58 | 55 | 47 | 37 |
| 8-500/H | 41 | 43 | 50 | 55 | 61 | 58 | 49 | 39 |
| 8-560/H | 44 | 47 | 53 | 58 | 64 | 61 | 53 | 43 |
| 8-630/H | 43 | 49 | 59 | 67 | 71 | 67 | 58 | 50 |
| 8-710/H | 42 | 62 | 69 | 74 | 76 | 72 | 67 | 60 |
| 8-800/L | 54 | 70 | 81 | 85 | 85 | 79 | 72 | 63 |
| 8-800/K | 54 | 71 | 82 | 85 | 86 | 80 | 73 | 64 |
| 8-800/G | 55 | 72 | 83 | 86 | 86 | 81 | 74 | 65 |
| 8-800/H | 56 | 72 | 84 | 87 | 87 | 82 | 75 | 66 |

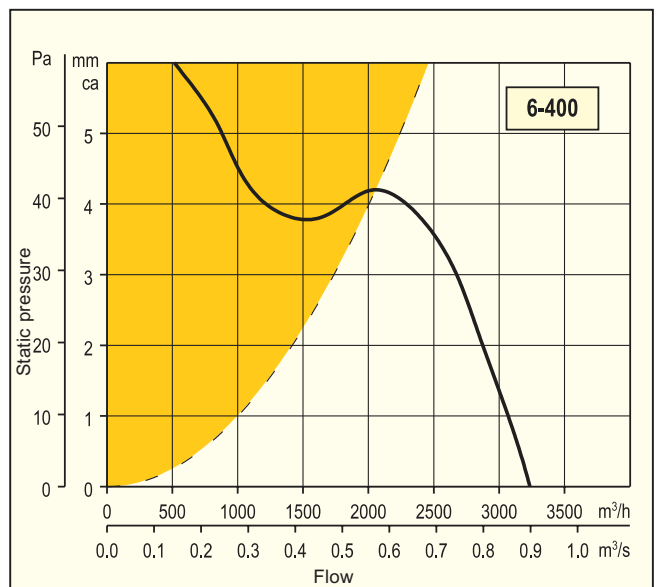
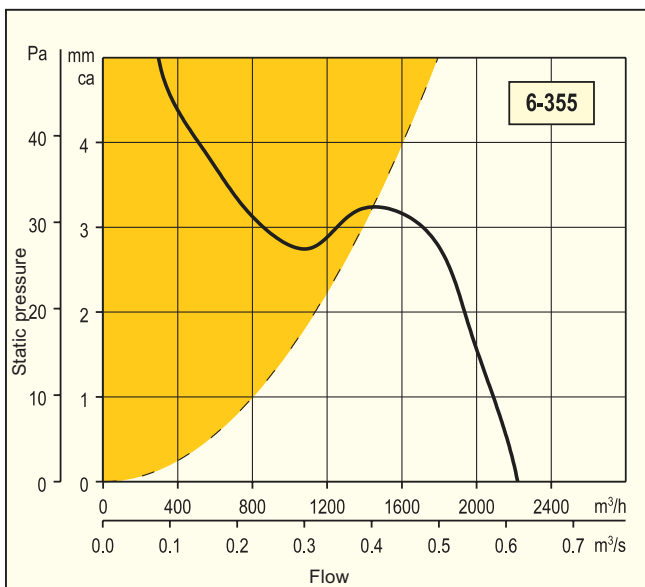
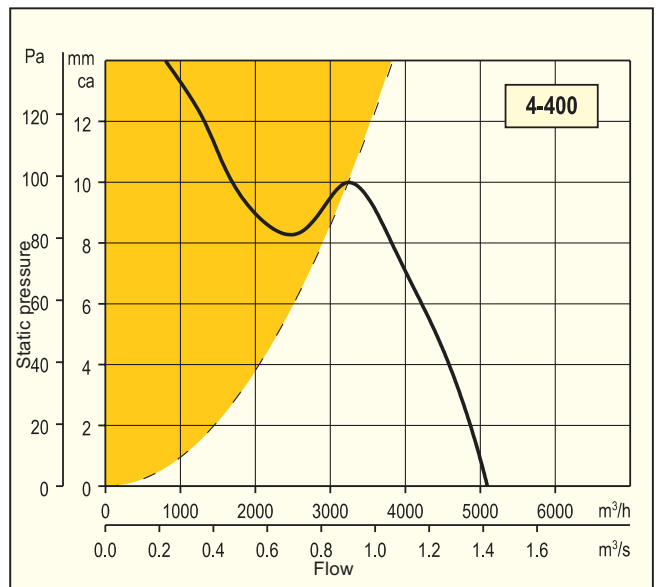
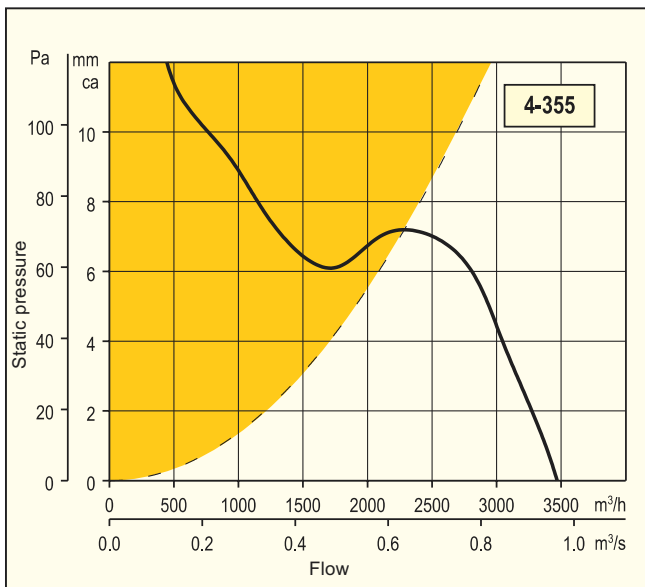
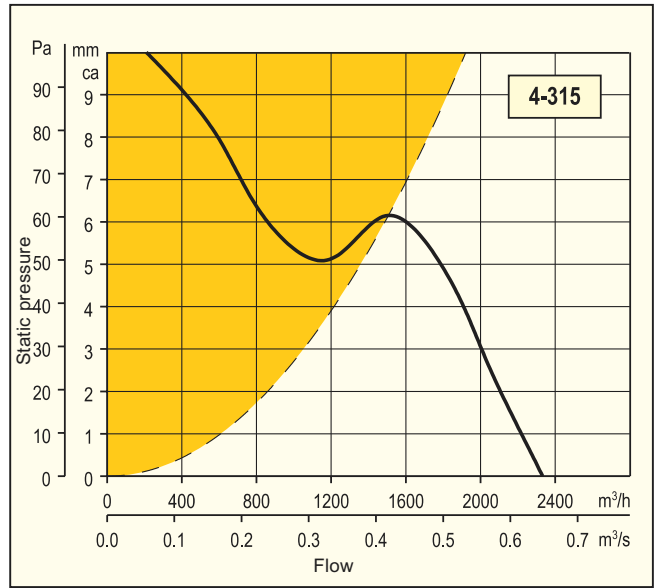
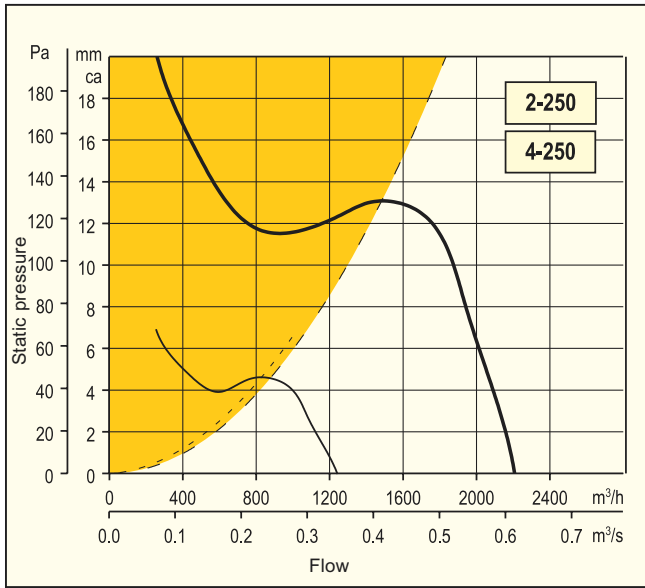
Technical specification TCFT / TCFB

| | Number of poles | Type | Speed rpm | Maximum power W | Maximum current A | | Sound pressure level dB (A) | Duty at free discharge (max) m³/h | Weight kg | Speed regulation device | Article number | |
|---------------------|-----------------|---------------|-----------|-----------------|-------------------|-------|-----------------------------|-----------------------------------|-------------|-------------------------|----------------|--|
| | | Cased version | | | 230 V | 400 V | | | | | | |
| SINGLE-PHASE | 2 | | | | | | | | | | | |
| | | TCFB/2-250/H | 2500 | 250 | 1,2 | — | 65 | 2160 | 5 | — | 112 350 895 | |
| | 4 | | | | | | | | | | | |
| | | TCFB/4-250/H | 1330 | 60 | 0,3 | — | 52 | 1215 | 5 | REB-1 | 112 350 995 | |
| | | TCFB/4-315/H | 1300 | 100 | 0,6 | — | 54 | 2350 | 7 | REB-1 | 112 351 051 | |
| | | TCFB/4-355/H | 1225 | 200 | 1,0 | — | 58 | 3490 | 8 | REB-2,5 | 112 351 151 | |
| | | TCFB/4-400/H | 1200 | 340 | 1,6 | — | 60 | 5070 | 9 | REB-2,5 | 112 351 251 | |
| | | TCFB/4-450/H | 1290 | 480 | 2,3 | — | 65 | 6760 | 13 | REB-2,5 | 112 351 351 | |
| | | TCFB/4-500/H | 1290 | 650 | 3,0 | — | 68 | 9200 | 16 | REB-5N | 112 351 451 | |
| | | TCFB/4-560/H | 1250 | 980 | 4,9 | — | 71 | 12480 | 22 | REB-5N | 112 351 551 | |
| | TCFB/4-630/H | 1200 | 1700 | 7,6 | — | 72 | 17060 | 25 | — | 112 351 651 | | |
| | 6 | | | | | | | | | | | |
| | | TCFB/6-355/H | 800 | 90 | 0,5 | — | 50 | 2210 | 8 | REB-1 | 112 352 351 | |
| | | TCFB/6-400/H | 750 | 110 | 0,6 | — | 52 | 3400 | 9 | REB-1 | 112 352 451 | |
| | | TCFB/6-450/H | 835 | 220 | 1,2 | — | 53 | 4550 | 13 | REB-2,5 | 112 352 551 | |
| | | TCFB/6-500/H | 840 | 290 | 1,6 | — | 56 | 5820 | 16 | REB-2,5 | 112 352 651 | |
| | | TCFB/6-560/H | 900 | 420 | 2,4 | — | 59 | 7870 | 22 | REB-2,5 | 112 352 751 | |
| | 8 | | | | | | | | | | | |
| TCFB/8-450/H | | 625 | 130 | 0,7 | — | 48 | 3500 | 13 | REB-1 | 112 354 551 | | |
| TCFB/8-500/H | | 605 | 160 | 0,9 | — | 49 | 4660 | 16 | REB-1 | 112 354 651 | | |
| TCFB/8-560/H | | 610 | 240 | 1,3 | — | 51 | 5990 | 22 | REB-2,5 | 112 354 751 | | |
| TCFB/8-630/H | 585 | 320 | 1,7 | — | 52 | 8340 | 25 | REB-2,5 | 112 354 851 | | | |
| THREE-PHASE | 2 | | | | | | | | | | | |
| | | TCFT/2-250/H | 2500 | 250 | 0,9 | 0,5 | 65 | 2160 | 5 | — | 112 330 995 | |
| | 4 | | | | | | | | | | | |
| | | TCFT/4-250/H | 1330 | 60 | 0,3 | 0,2 | 52 | 1220 | 5 | RMT-1,5 | 112 349 055 | |
| | | TCFT/4-315/H | 1300 | 150 | 0,6 | 0,3 | 54 | 2350 | 7 | RMT-1,5 | 112 350 051 | |
| | | TCFT/4-355/H | 1260 | 200 | 0,8 | 0,5 | 58 | 3490 | 8 | RMT-1,5 | 112 350 151 | |
| | | TCFT/4-400/H | 1350 | 300 | 1,4 | 0,8 | 60 | 5070 | 9 | RMT-1,5 | 112 350 251 | |
| | | TCFT/4-450/H | 1230 | 500 | 1,7 | 1,0 | 65 | 6760 | 13 | RMT-1,5 | 112 350 351 | |
| | | TCFT/4-500/H | 1350 | 660 | 2,7 | 1,6 | 68 | 9200 | 16 | RMT-3,5 | 112 350 451 | |
| | | TCFT/4-560/H | 1320 | 1210 | 3,9 | 2,3 | 71 | 12480 | 22 | RMT-3,5 | 112 350 551 | |
| | TCFT/4-630/H | 1420 | 1550 | 5,2 | 3,0 | 72 | 17060 | 25 | — | 112 350 651 | | |
| | 6 | | | | | | | | | | | |
| | | TCFT/6-355/H | 875 | 90 | 0,5 | 0,3 | 50 | 2210 | 8 | RMT-1,5 | 112 351 751 | |
| | | TCFT/6-400/H | 830 | 110 | 0,5 | 0,3 | 52 | 3400 | 9 | RMT-1,5 | 112 351 851 | |
| | | TCFT/6-450/H | 835 | 190 | 0,8 | 0,5 | 53 | 4550 | 13 | RMT-1,5 | 112 352 041 | |
| | | TCFT/6-500/H | 840 | 250 | 0,9 | 0,5 | 56 | 5820 | 16 | RMT-1,5 | 112 352 051 | |
| | | TCFT/6-560/H | 900 | 410 | 1,6 | 0,9 | 59 | 8260 | 22 | RMT-1,5 | 112 352 151 | |
| | 8 | | | | | | | | | | | |
| TCFT/8-450/H | | 660 | 130 | 0,7 | 0,4 | 51 | 3500 | 13 | RMT-1,5 | 112 353 551 | | |
| TCFT/8-500/H | | 625 | 150 | 0,7 | 0,4 | 53 | 4660 | 16 | RMT-1,5 | 112 353 651 | | |
| TCFT/8-560/H | | 610 | 230 | 1,0 | 0,6 | 55 | 5990 | 22 | RMT-1,5 | 112 353 751 | | |
| TCFT/8-630/H | 635 | 310 | 1,3 | 0,8 | 57 | 8340 | 25 | RMT-1,5 | 112 353 851 | | | |

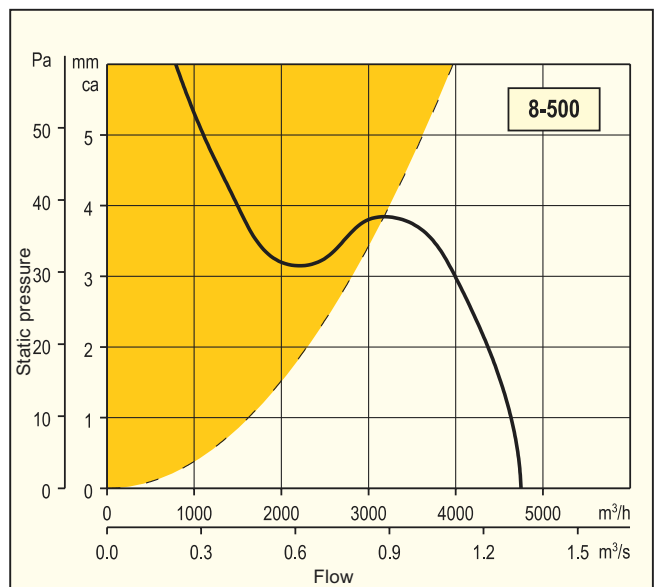
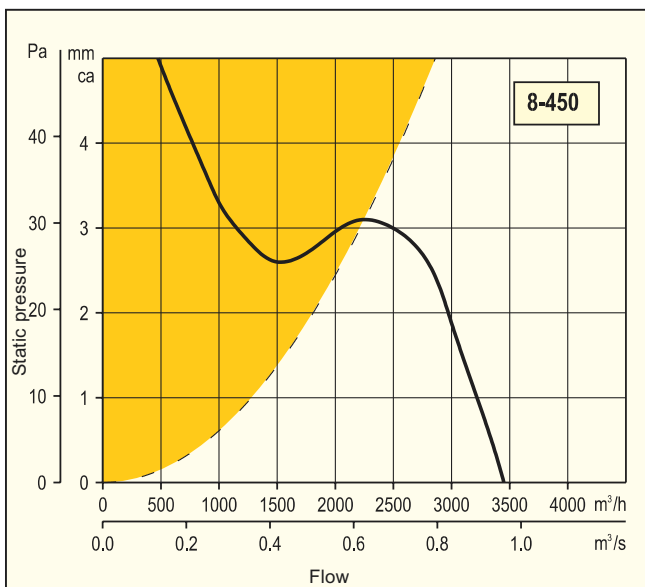
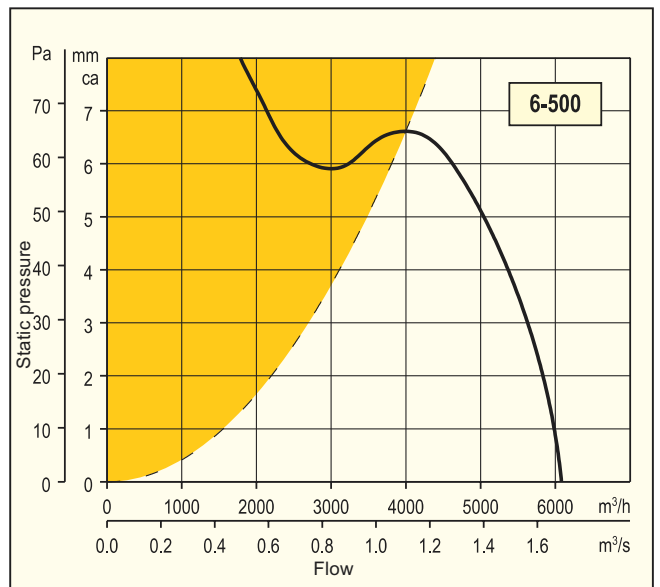
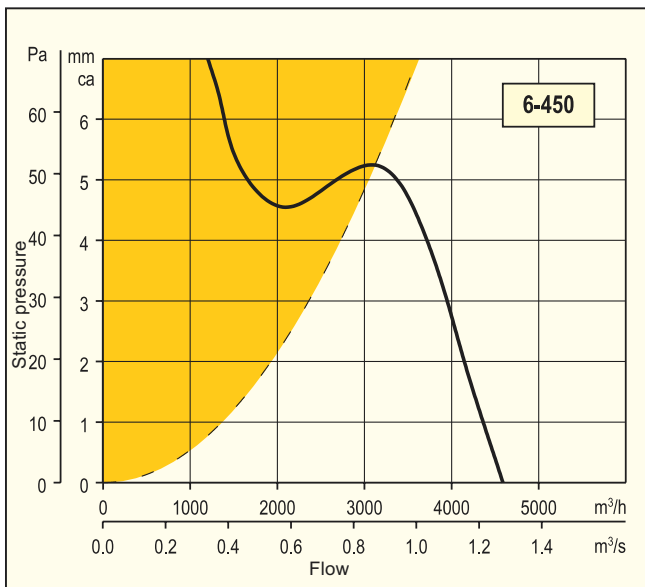
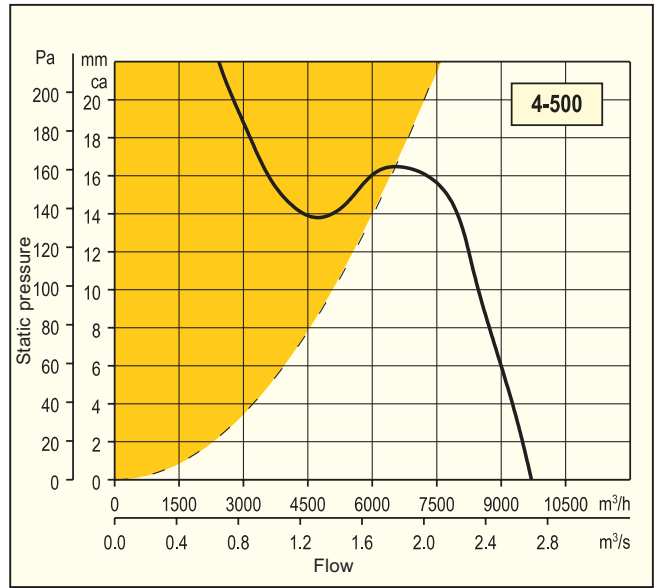
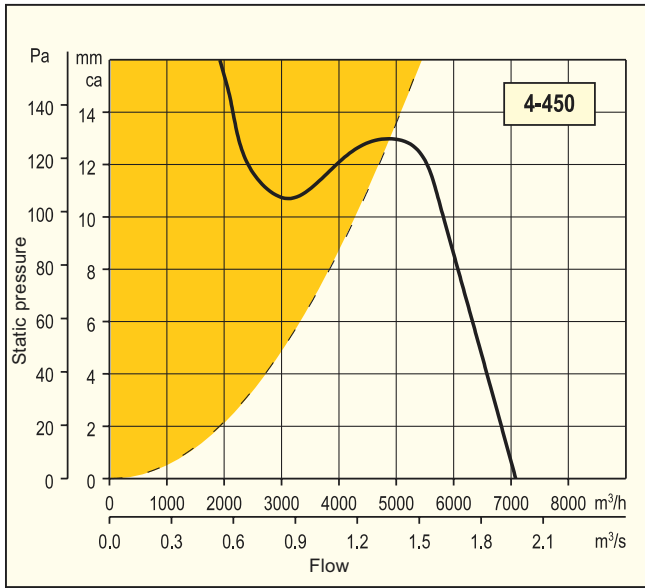
Technical specification TCBT / TCBB

| | Number of poles | Type | Speed rpm | Maximum power W | Maximum current A | | Sound pressure level dB (A) | Duty at free discharge (max) m³/h | Weight kg | Speed regulation device | Article number | |
|--------------|-----------------|--------------|--------------|-----------------|-------------------|-------|-----------------------------|-----------------------------------|-----------|-------------------------|----------------|-------------|
| | | | | | 230 V | 400 V | | | | | | |
| | | | | | | | | | | | | |
| SINGLE-PHASE | 2 | TCBB/2-250/H | 2500 | 240 | 1,2 | — | 65 | 2210 | 8,0 | — | 112 350 891 | |
| | | | | | | | | | | | | |
| | 4 | TCBB/4-250/H | 1330 | 60 | 0,3 | — | 52 | 1250 | 8,0 | REB-1 | 112 350 997 | |
| | | TCBB/4-315/H | 1300 | 100 | 0,6 | — | 54 | 2340 | 11,0 | REB-1 | 112 351 071 | |
| | | TCBB/4-355/H | 1225 | 200 | 1,0 | — | 58 | 3470 | 13,2 | REB-2,5 | 112 351 171 | |
| | | TCBB/4-400/H | 1200 | 340 | 1,6 | — | 60 | 5100 | 15,5 | REB-2,5 | 112 351 271 | |
| | | TCBB/4-450/H | 1370 | 620 | 2,7 | — | 62 | 7100 | 21,0 | REB-5 | 112 351 371 | |
| | | TCBB/4-500/H | 1300 | 80 | 3,5 | — | 66 | 9710 | 25,0 | REB-5 | 112 351 471 | |
| | | TCBB/4-560/L | 1300 | 1240 | 5,8 | — | 67 | 11750 | 33,0 | RMB-8 | 112 351 570 | |
| | | TCBB/4-560/H | 1340 | 1680 | 7,7 | — | 69 | 13780 | 34,7 | — | 112 351 571 | |
| | TCBB/4-630/L | 1280 | 1800 | 8,4 | — | 70 | 16100 | 40,0 | — | 112 351 670 | | |
| | 6 | TCBB/6-355/H | 800 | 90 | 0,5 | — | 50 | 2220 | 13,2 | REB-1 | 112 352 371 | |
| | | TCBB/6-400/H | 750 | 110 | 0,6 | — | 52 | 3240 | 15,5 | REB-1 | 112 352 471 | |
| | | TCBB/6-450/H | 890 | 240 | 1,2 | — | 53 | 4590 | 20,7 | REB-2,5 | 112 352 571 | |
| | | TCBB/6-500/H | 890 | 310 | 1,7 | — | 57 | 6100 | 24,8 | REB-2,5 | 112 352 671 | |
| | | TCBB/6-560/L | 900 | 420 | 2,4 | — | 58 | 7400 | 33,0 | REB-5 | 112 352 770 | |
| | | TCBB/6-560/H | 900 | 550 | 2,8 | — | 60 | 8680 | 33,5 | REB-5 | 112 352 771 | |
| | | TCBB/6-630/L | 860 | 640 | 3,1 | — | 60 | 10600 | 38,0 | REB-5 | 112 352 864 | |
| | | TCBB/6-630/H | 930 | 980 | 5,4 | — | 62 | 13000 | 38,5 | RMB-8 | 112 352 865 | |
| | | TCBB/6-710/L | 900 | 1050 | 5,5 | — | 66 | 15800 | 46,0 | — | 112 352 870 | |
| | TCBB/6-710/H | 840 | 1300 | 6,5 | — | 69 | 17800 | 46,0 | — | 112 352 871 | | |
| | 8 | TCBB/8-450/H | 620 | 140 | 0,8 | — | 47 | 3450 | 20,7 | REB-1 | 112 354 571 | |
| | | TCBB/8-500/H | 595 | 175 | 1,0 | — | 48 | 4750 | 24,8 | REB-2,5 | 112 354 671 | |
| | | TCBB/8-560/H | 595 | 260 | 1,4 | — | 50 | 6620 | 33,0 | REB-2,5 | 112 354 771 | |
| | | TCBB/8-630/H | 680 | 440 | 2,1 | — | 57 | 8730 | 38,5 | REB-2,5 | 112 354 871 | |
| | | TCBB/8-710/H | 625 | 480 | 2,4 | — | 63 | 11000 | 46,0 | — | 112 353 865 | |
| | THREE-PHASE | 2 | TCBT/2-250/H | 2500 | 240 | 0,9 | 0,5 | 65 | 2210 | 8,0 | — | 112 330 991 |
| | | | | | | | | | | | | |
| | | 4 | TCBT/4-250/H | 1330 | 60 | 0,3 | 0,2 | 52 | 1250 | 8,0 | RMT-1,5 | 112 349 056 |
| | | | TCBT/4-315/H | 1300 | 150 | 0,6 | 0,3 | 54 | 2340 | 11,0 | RMT-1,5 | 112 350 071 |
| | | | TCBT/4-355/H | 1260 | 200 | 0,8 | 0,5 | 58 | 3470 | 13,2 | RMT-1,5 | 112 350 171 |
| | | | TCBT/4-400/H | 1360 | 300 | 1,4 | 0,8 | 60 | 5100 | 15,5 | RMT-1,5 | 112 350 271 |
| TCBT/4-450/H | | | 1400 | 630 | 2,7 | 1,6 | 62 | 7100 | 21,0 | RMT-3,5 | 112 350 371 | |
| TCBT/4-500/H | | | 1340 | 880 | 2,9 | 1,7 | 66 | 9710 | 25,0 | RMT-3,5 | 112 350 471 | |
| TCBT/4-560/L | | | 1320 | 1210 | 3,9 | 2,3 | 67 | 11750 | 33,0 | RMT-8 | 112 350 570 | |
| TCBT/4-560/H | | | 1370 | 1520 | 4,9 | 2,8 | 69 | 13780 | 34,7 | — | 112 350 571 | |
| TCBT/4-630/L | | | 1330 | 1900 | 5,6 | 3,2 | 69 | 16100 | 39,0 | — | 112 350 580 | |
| TCBT/4-630/H | | | 1360 | 2200 | 7,1 | 4,0 | 70 | 18200 | 40,0 | — | 112 350 581 | |
| TCBT/4-710/L | | | 1420 | 2500 | 8,4 | 4,8 | 73 | 21590 | 46,0 | — | 112 350 670 | |
| TCBT/4-710/H | | | 1450 | 3400 | 11,1 | 6,4 | 76 | 25500 | 54,0 | — | 112 350 671 | |
| TCBT/4-800/L | | | 1450 | 3700 | 11,2 | 6,5 | 82 | 29200 | 65,0 | — | 112 350 770 | |
| TCBT/4-800/K | | 1450 | 5000 | - | 9,0 | 84 | 33300 | 68,0 | — | 112 350 772 | | |
| TCBT/4-800/G | | 1460 | 6900 | - | 11,6 | 87 | 38400 | 81,0 | — | 112 350 774 | | |
| TCBT/4-800/H | | 1460 | 8800 | - | 15,0 | 89 | 43200 | 89,0 | — | 112 350 776 | | |
| 6 | | TCBT/6-355/H | 875 | 90 | 0,5 | 0,3 | 50 | 2220 | 13,2 | RMT-1,5 | 112 351 771 | |
| | | TCBT/6-400/H | 830 | 110 | 0,5 | 0,3 | 52 | 3240 | 15,5 | RMT-1,5 | 112 351 871 | |
| | | TCBT/6-450/H | 890 | 200 | 0,9 | 0,5 | 53 | 4590 | 20,7 | RMT-1,5 | 112 352 071 | |
| | | TCBT/6-500/H | 870 | 270 | 1,0 | 0,6 | 57 | 6100 | 24,8 | RMT-1,5 | 112 352 081 | |
| | | TCBT/6-560/L | 900 | 410 | 1,6 | 0,9 | 58 | 7400 | 33,0 | RMT-3,5 | 112 352 170 | |
| | | TCBT/6-560/H | 870 | 470 | 1,7 | 1,0 | 60 | 8680 | 33,5 | RMT-3,5 | 112 352 171 | |
| | | TCBT/6-630/L | 890 | 620 | 2,2 | 1,3 | 60 | 10600 | 38,0 | RMT-3,5 | 112 352 240 | |
| | | TCBT/6-630/H | 950 | 860 | 4,9 | 2,8 | 62 | 13000 | 38,5 | RMT-8 | 112 352 241 | |
| | | TCBT/6-710/L | 900 | 1080 | 5,7 | 3,3 | 66 | 15800 | 46,0 | — | 112 352 264 | |
| | | TCBT/6-710/H | 910 | 1300 | 5,2 | 3,0 | 69 | 17800 | 46,0 | — | 112 352 265 | |
| | | TCBT/6-800/L | 950 | 1500 | 5,7 | 3,3 | 74 | 20700 | 57,0 | — | 112 352 361 | |
| | | TCBT/6-800/K | 965 | 1800 | 7,1 | 4,1 | 76 | 23100 | 64,0 | — | 112 352 364 | |
| | | TCBT/6-800/G | 960 | 2500 | 9,0 | 5,2 | 79 | 26100 | 68,0 | — | 112 352 366 | |
| | | TCBT/6-800/H | 980 | 2900 | 10,7 | 6,2 | 80 | 29800 | 80,0 | — | 112 352 368 | |
| | 8 | TCBT/8-450/H | 665 | 140 | 0,8 | 0,5 | 47 | 3450 | 20,7 | RMT-1,5 | 112 353 571 | |
| | | TCBT/8-500/H | 615 | 165 | 1,0 | 0,6 | 50 | 4750 | 24,8 | RMT-1,5 | 112 353 671 | |
| TCBT/8-560/H | | 595 | 250 | 1,2 | 0,7 | 52 | 6620 | 33,0 | RMT-1,5 | 112 353 771 | | |
| TCBT/8-630/H | | 980 | 380 | 1,9 | 1,1 | 57 | 8730 | 38,5 | RMT-3,5 | 112 353 871 | | |
| TCBT/8-710/H | | 920 | 540 | 2,1 | 1,2 | 63 | 11000 | 46,0 | — | 112 353 881 | | |
| TCBT/8-800/L | | 700 | 650 | 3,1 | 1,8 | 67 | 14000 | 54,0 | — | 112 353 891 | | |
| TCBT/8-800/K | | 710 | 870 | 4,3 | 2,5 | 69 | 16600 | 57,0 | — | 112 353 892 | | |
| TCBT/8-800/G | | 720 | 1100 | 4,8 | 2,8 | 72 | 19500 | 61,0 | — | 112 353 894 | | |
| TCBT/8-800/H | | 720 | 1340 | 6,2 | 3,6 | 74 | 22500 | 64,0 | — | 112 353 896 | | |

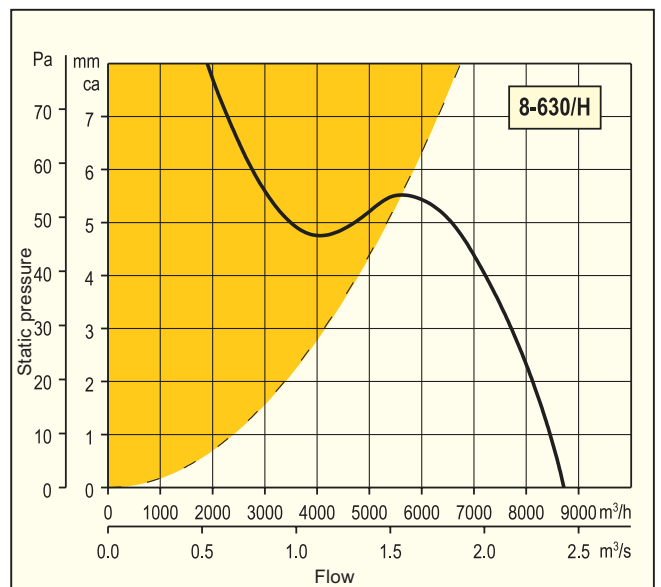
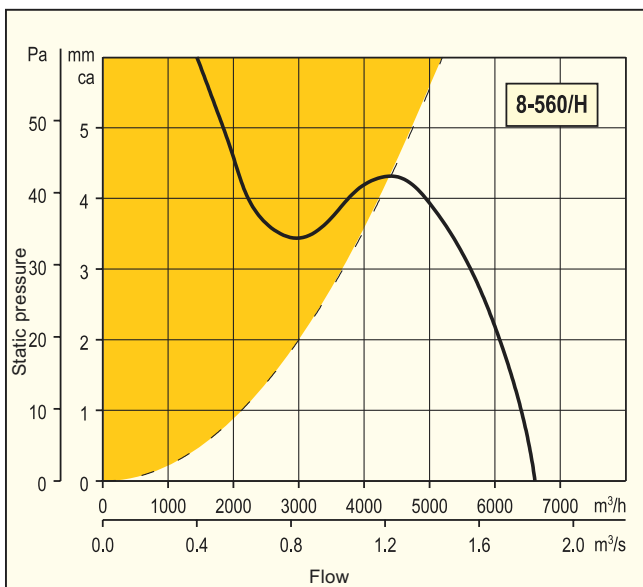
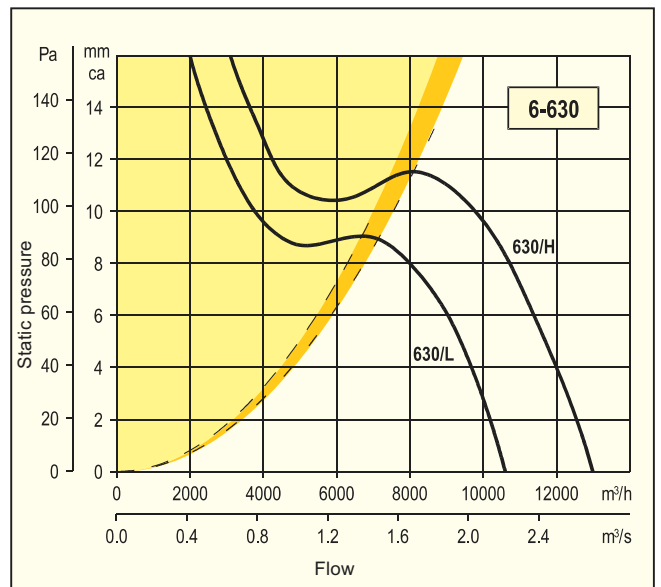
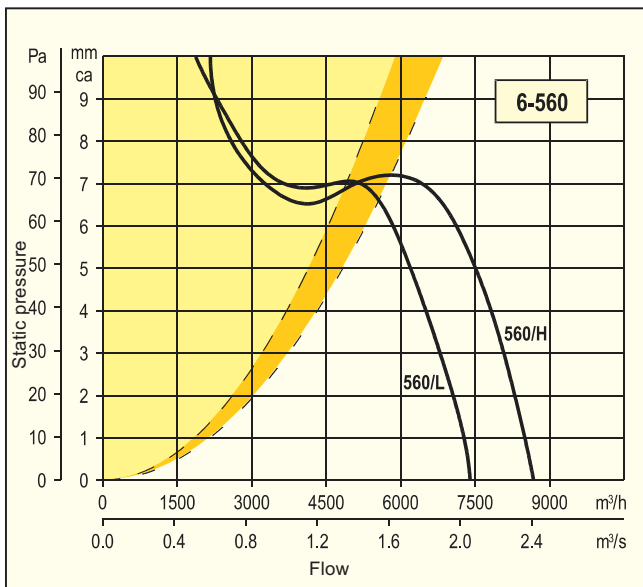
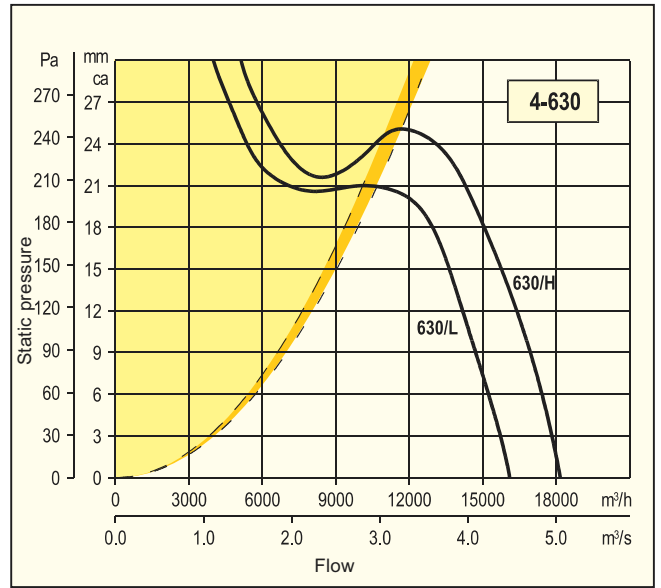
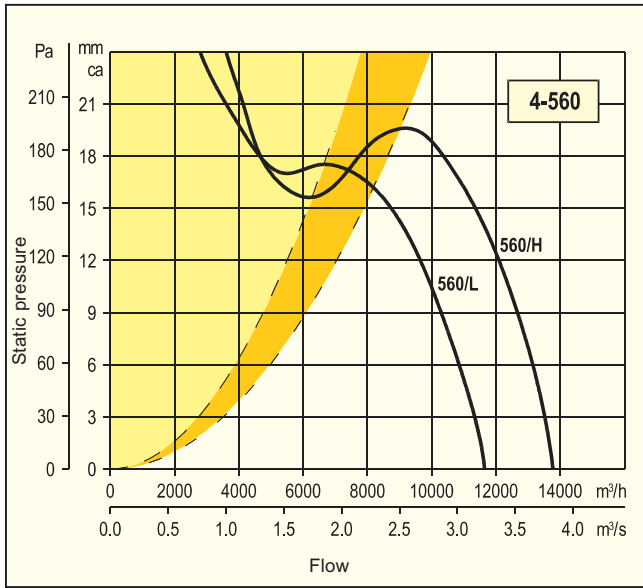
Performance curves



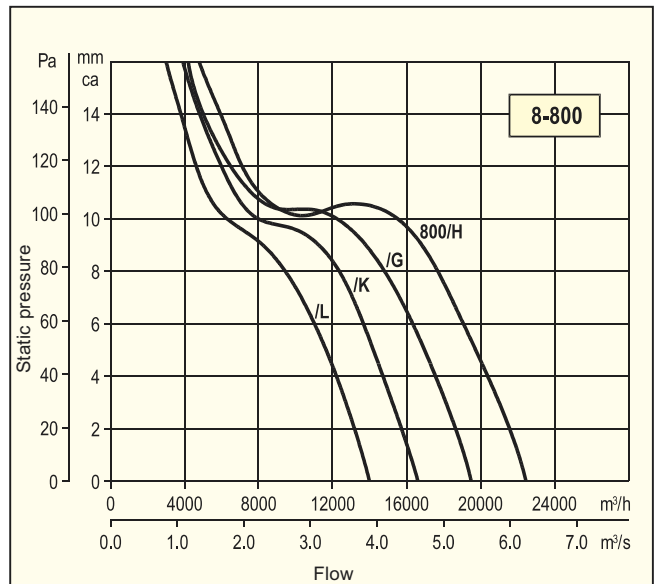
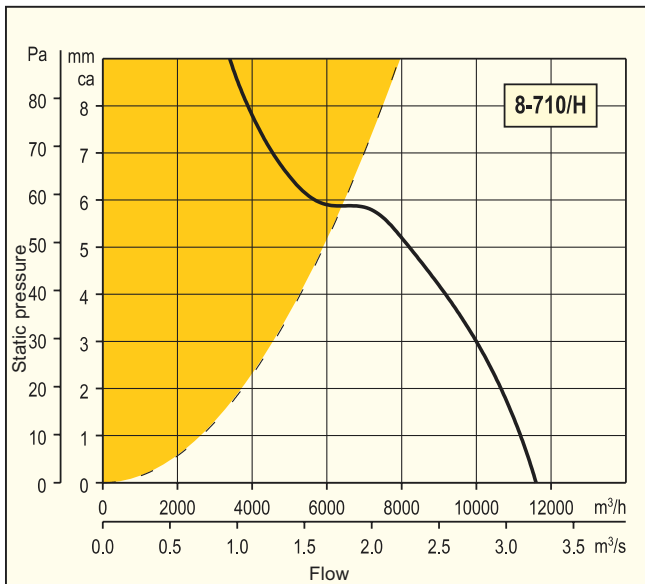
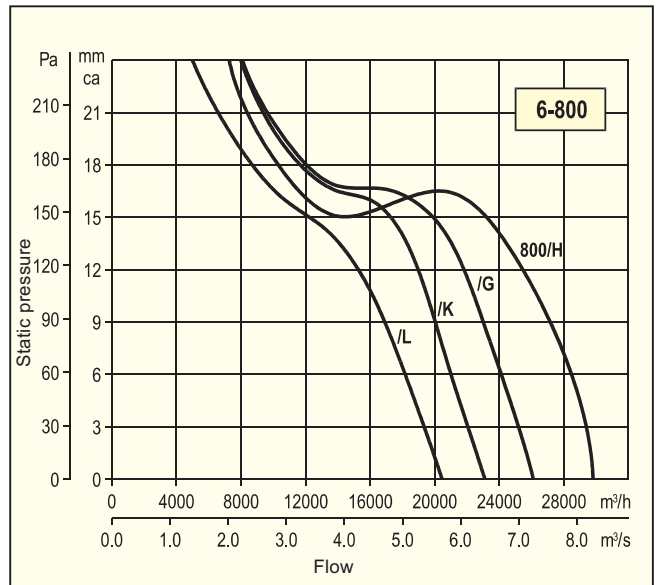
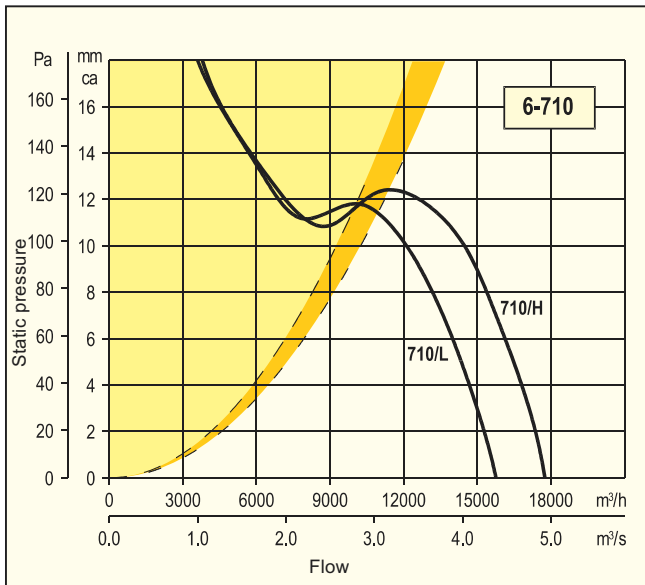
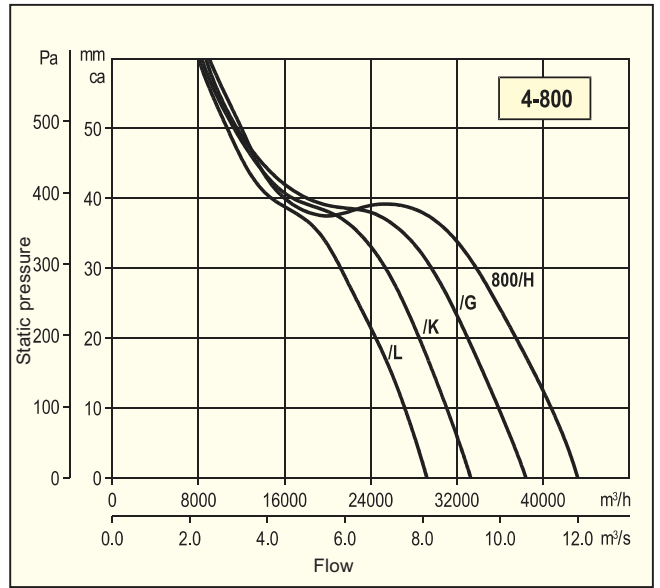
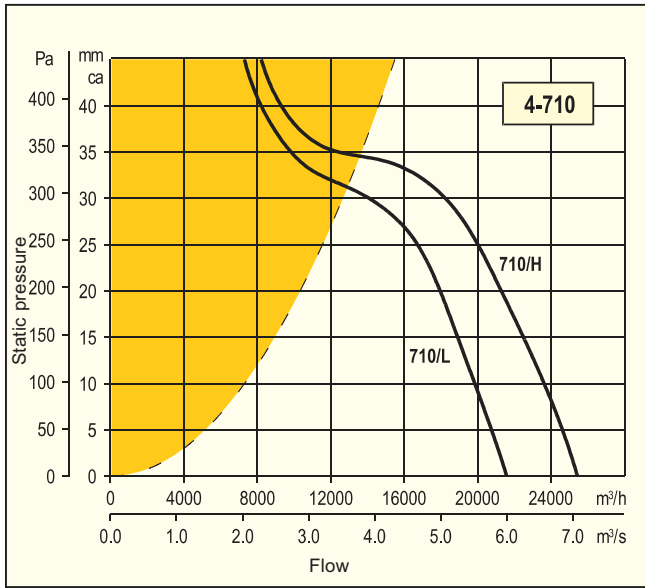
Performance curves



Performance curves



Performance curves





TCBBx2, TCBTx2

Construction

Axial fan in cased version with casing of welded steel sheet and two contrarotating impellers made in die casted aluminium, dynamically balanced according to ISO1940.

Motor

Two 380-415V, 50Hz three-phase alt. two 220-240V, 50Hz single-phase asynchronous motor, thermal protection with outgoing leads to the thermal box. Enclosure IP65, insulation class F. Size 450 and 500 are speed controlled by means of transformer or electric regulator. Special voltage or frequency, improved enclosure and three-phase motors for „Y” resp. „Δ” running can be supplied on request.

Wiring diagram, see page 235.

Data

| Type | Speed rpm | Maximum power absorbed kW | Maximum current A | Sound level* dB (A) | Maximum duty m³/h | Weight kg | Article number |
|--------------|--------------|------------------------------|----------------------|------------------------|----------------------|--------------|----------------|
| TCBBx2/4-450 | 1370 | 1,24 | 5,40 | 74 | 6900 | 42 | 112 355 450 |
| TCBBx2/4-500 | 1300 | 1,70 | 7,30 | 76 | 9400 | 50 | 112 355 500 |
| TCBBx2/4-560 | 1340 | 3,25 | 15,50 | 78 | 14300 | 66 | 112 355 560 |
| TCBBx2/4-630 | 1280 | 3,90 | 19,00 | 79 | 18200 | 80 | 112 355 630 |
| TCBTx2/4-450 | 1400 | 1,25 | 3,40 | 74 | 6900 | 42 | 112 356 450 |
| TCBTx2/4-500 | 1340 | 1,75 | 3,60 | 76 | 9400 | 50 | 112 356 500 |
| TCBTx2/4-560 | 1360 | 3,12 | 5,80 | 78 | 14300 | 66 | 112 356 560 |
| TCBTx2/4-630 | 1370 | 4,20 | 8,00 | 79 | 18200 | 80 | 112 356 630 |

* - inlet

Acoustic characteristic Sound pressure level dB(A)

| Type | Working point m³/h | 63 | 125 | 250 | 500 | 1000 | 2000 | 4000 | 8000 | Total |
|------------|--------------------|----|-----|-----|-----|------|------|------|------|-------|
| 450 inlet | 6600 | 46 | 73 | 85 | 82 | 85 | 79 | 72 | 64 | 90 |
| | 5850 | 46 | 73 | 84 | 81 | 83 | 79 | 71 | 64 | 88 |
| | 4300 | 58 | 70 | 80 | 80 | 83 | 79 | 71 | 64 | 87 |
| 450 outlet | 6600 | 63 | 75 | 86 | 85 | 87 | 82 | 74 | 67 | 92 |
| | 5850 | 53 | 73 | 85 | 84 | 87 | 81 | 74 | 67 | 91 |
| | 4300 | 58 | 70 | 82 | 83 | 86 | 82 | 74 | 67 | 90 |
| 500 inlet | 9000 | 48 | 78 | 87 | 85 | 87 | 81 | 74 | 67 | 92 |
| | 7500 | 52 | 76 | 85 | 85 | 85 | 80 | 73 | 65 | 90 |
| | 6000 | 60 | 73 | 83 | 82 | 85 | 80 | 73 | 66 | 89 |
| 500 outlet | 9000 | 65 | 76 | 87 | 88 | 90 | 84 | 77 | 70 | 94 |
| | 7500 | 62 | 75 | 86 | 87 | 88 | 83 | 76 | 69 | 92 |
| | 6000 | 59 | 72 | 86 | 85 | 88 | 83 | 76 | 69 | 92 |
| 560 inlet | 13720 | 50 | 85 | 87 | 88 | 91 | 85 | 78 | 73 | 95 |
| | 10800 | 57 | 79 | 83 | 86 | 89 | 84 | 78 | 72 | 93 |
| | 9000 | 63 | 79 | 81 | 86 | 89 | 84 | 78 | 72 | 92 |
| 560 outlet | 13720 | 74 | 86 | 85 | 91 | 94 | 88 | 81 | 75 | 97 |
| | 10800 | 70 | 82 | 84 | 88 | 92 | 87 | 81 | 74 | 95 |
| | 9000 | 74 | 81 | 85 | 89 | 92 | 87 | 81 | 74 | 95 |
| 630 inlet | 17500 | 51 | 85 | 91 | 89 | 93 | 87 | 80 | 74 | 97 |
| | 15600 | 55 | 85 | 85 | 88 | 91 | 86 | 80 | 73 | 95 |
| | 12000 | 64 | 80 | 84 | 88 | 90 | 86 | 80 | 73 | 94 |
| 630 outlet | 17500 | 73 | 87 | 88 | 93 | 95 | 89 | 83 | 77 | 99 |
| | 15600 | 71 | 87 | 86 | 91 | 94 | 89 | 83 | 76 | 98 |
| | 12000 | 67 | 84 | 86 | 90 | 94 | 89 | 84 | 76 | 97 |

Accessories

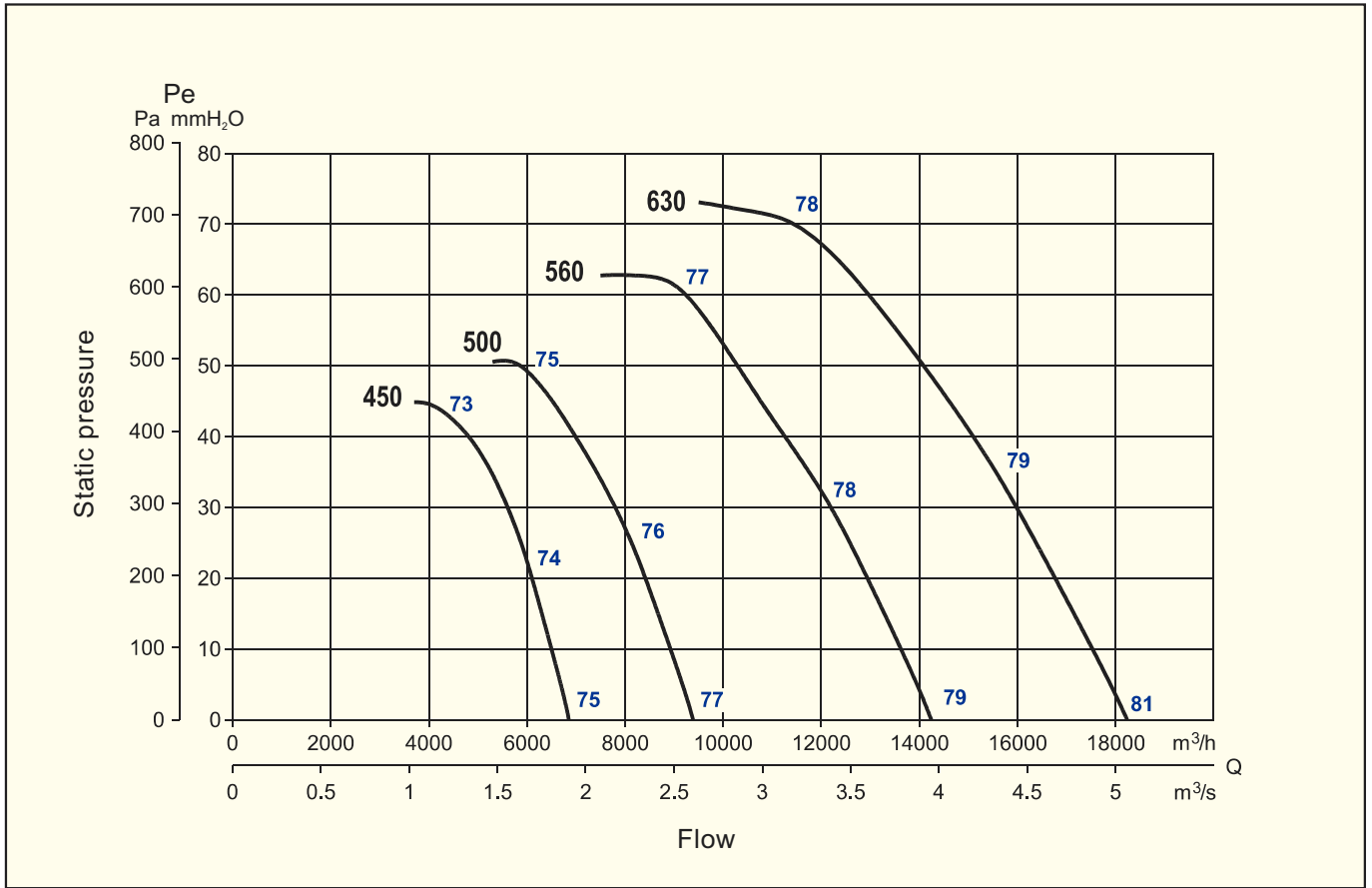


ACOP
page 68

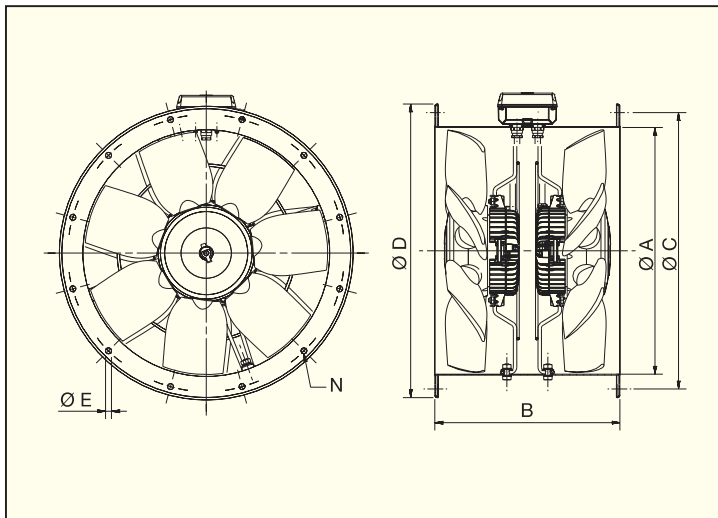


RMB, RMT
page 230

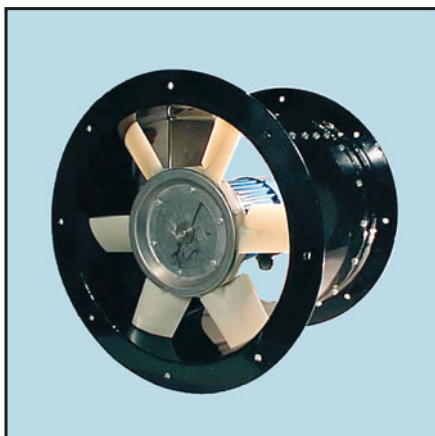
Performance curves



Dimensions in mm



| Type | ØA | B | ØC | ØD | ØE | No. of holes N |
|------|-----|-----|-----|-----|----|----------------|
| 450 | 537 | 375 | 500 | 450 | 12 | 8 |
| 500 | 595 | 375 | 550 | 500 | 12 | 12 |
| 560 | 655 | 520 | 620 | 560 | 12 | 12 |
| 630 | 725 | 520 | 660 | 630 | 12 | 12 |



Construction

Axial fan designed for installation in a ducted system. Casing of rolled and electro-welded steel sheet, powder coated RAL9005. Impeller in polypropylene. Casing in acid-proof steel or galvanized steel and impellers in fiberglass reinforced polyamide, in die-cast aluminium or steel sheet may be supplied on request.

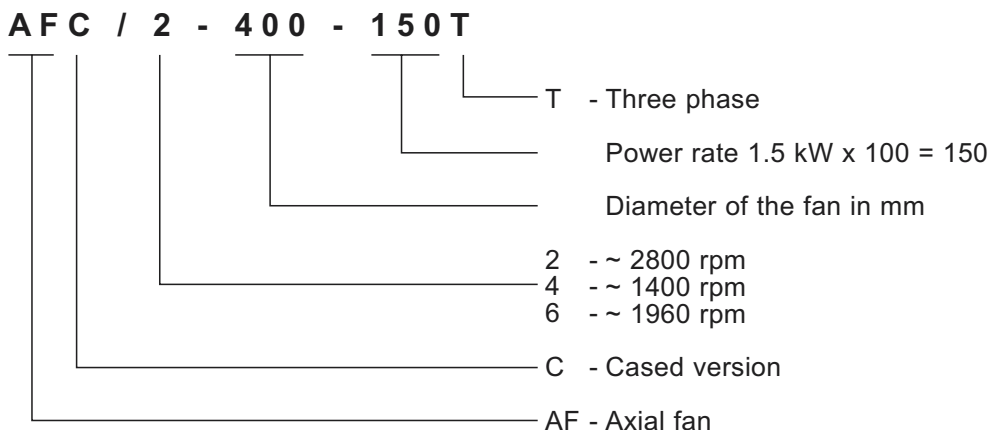
Motor

220-240/380-420V, 50 Hz (380-420/660-690V over 3kW) three-phase or 220-240V, 50Hz single-phase asynchronous motor with squirrel cage rotor, in accordance with IEC72 and IEC34-1. Insulation class F, enclosure IP55. Special voltage or frequency, improved enclosure IP65, explosion proof motor may be supplied on request. Wiring diagram, see page 235.

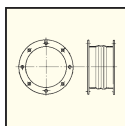
AFC MOBILE REV



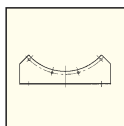
Model numbering system



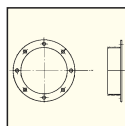
Accessories



Sleeve
AFC
page 69



AFC
page 69



Sleeve coupling
AFC
page 69



Protection net
AFC
page 69



PER-CN
page 68

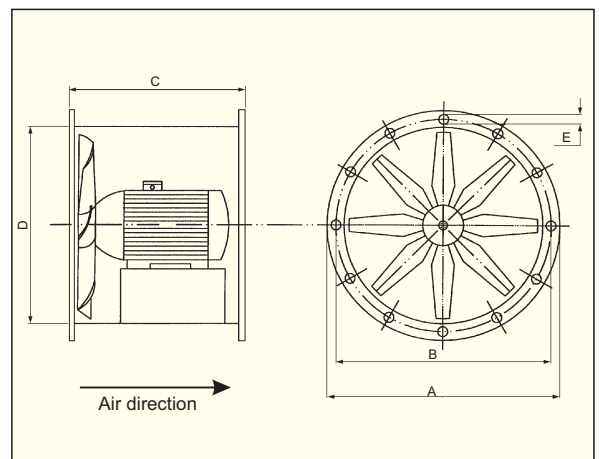
Technical specification

| Type | Speed rpm | Voltage V | Motor power kW | Maximum current A | Sound level* dB (A) | Maximum duty m³/h | Weight kg | Article number |
|-----------------|--------------|--------------|-------------------|-------------------------|------------------------|-------------------------|--------------|----------------|
| AFC/2-250-025S | 2850 | 230V | 0,25 | 1,8 | 72 | 2250 | 15 | 213 912 250 |
| AFC/2-315-037S | 2860 | 230V | 0,37 | 2,5 | 74 | 3400 | 17 | 213 912 315 |
| AFC/2-355-055S | 2860 | 230V | 0,55 | 3,4 | 77 | 4500 | 30 | 213 912 355 |
| AFC/2-250-025T | 2760 | 400V | 0,25 | 0,65 | 72 | 2250 | 15 | 213 911 250 |
| AFC/2-250-037T | 2800 | 400V | 0,37 | 1,0 | 72 | 2600 | 15 | 213 911 253 |
| AFC/2-315-037T | 2800 | 400V | 0,37 | 1,0 | 74 | 3400 | 17 | 213 911 315 |
| AFC/2-315-075T | 2800 | 400V | 0,75 | 1,9 | 77 | 5000 | 20 | 213 911 317 |
| AFC/2-355-055T | 2790 | 400V | 0,55 | 1,35 | 77 | 4500 | 30 | 213 911 355 |
| AFC/2-355-110T | 2780 | 400V | 1,1 | 2,5 | 78 | 5700 | 35 | 213 911 356 |
| AFC/2-400-150 | 2800 | 400V | 1,5 | 3,4 | 80 | 7800 | 37 | 213 911 400 |
| AFC/2-450-220 | 2800 | 400V | 2,2 | 4,7 | 81 | 9500 | 57 | 213 911 450 |
| AFC/2-450-300 | 2800 | 400V | 3,0 | 6,5 | 81 | 12000 | 57 | 213 911 453 |
| AFC/2-500-300 | 2800 | 400V | 3,0 | 6,5 | 81 | 15000 | 60 | 213 911 500 |
| AFC/4-560-150 | 1440 | 400V | 1,5 | 4,3 | 82 | 14000 | 65 | 213 911 560 |
| AFC/4-630-220 | 1420 | 400V | 2,2 | 4,8 | 82 | 18200 | 75 | 213 911 630 |
| AFC/4-710-400 | 1440 | 400V | 4,0 | 8,1 | 83 | 25500 | 80 | 213 911 710 |
| AFC/4-800-400 | 1440 | 400V | 4,0 | 8,1 | 83 | 30000 | 85 | 213 911 800 |
| AFC/4-900-400 | 1440 | 400V | 4,0 | 8,1 | 83 | 32500 | 90 | 213 911 900 |
| AFC/4-900P-750 | 1440 | 400V | 7,5 | 14,4 | 83 | 43500 | 108 | 213 911 905 |
| AFC/4-1000-1100 | 1440 | 400V | 11,0 | 21,2 | 83 | 55000 | 160 | 213 911 910 |
| AFC/6-1250-1100 | 960 | 400V | 11,0 | 22,2 | 84 | 75000 | 230 | 213 911 912 |
| AFC/6-1500-1100 | 960 | 400V | 11,0 | 22,2 | 85 | 80000 | 350 | 213 911 915 |
| AFC/8-2000-1100 | 700 | 400V | 11,0 | 25,1 | 88 | 120000 | 500 | 213 911 920 |

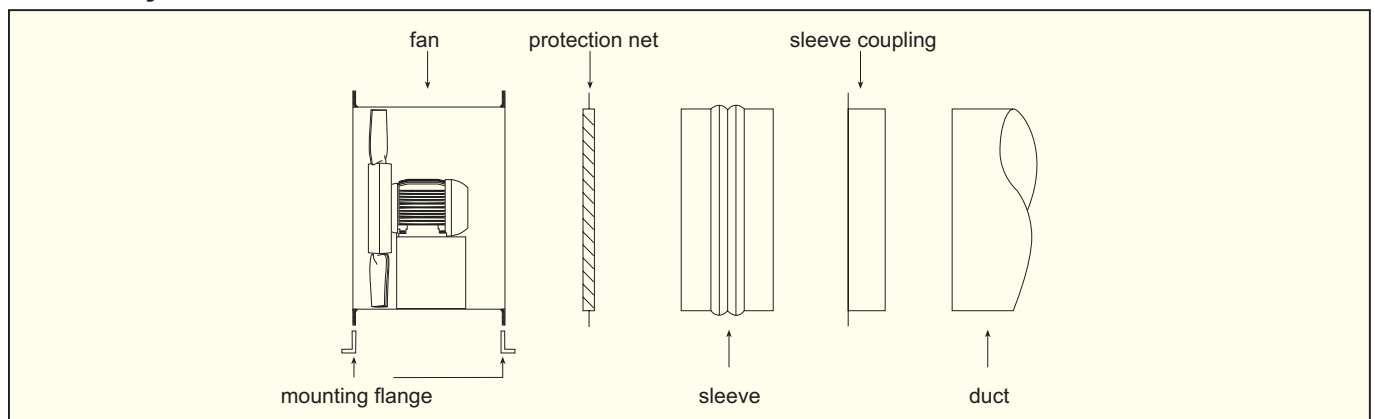
* - distance 1 m

Dimensions in mm

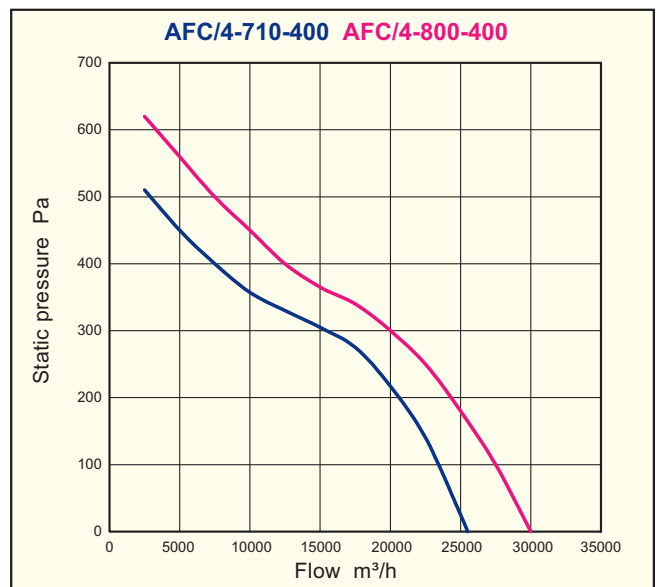
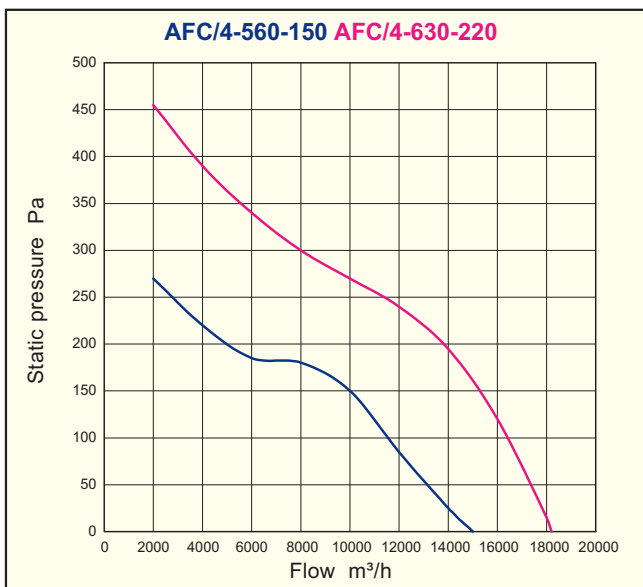
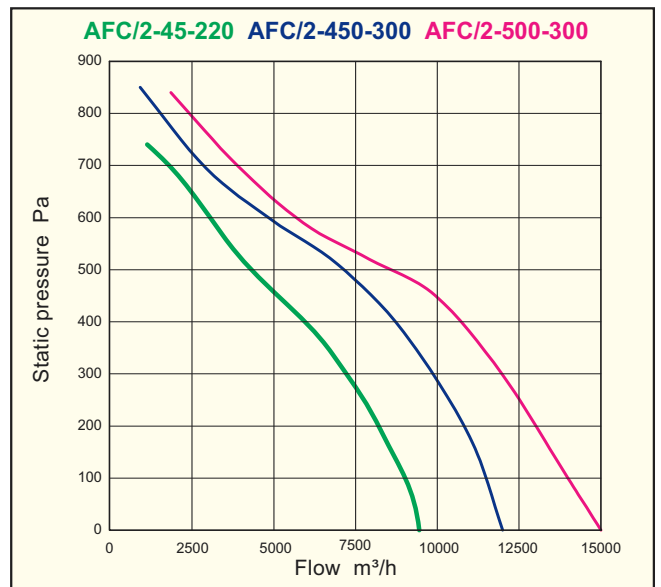
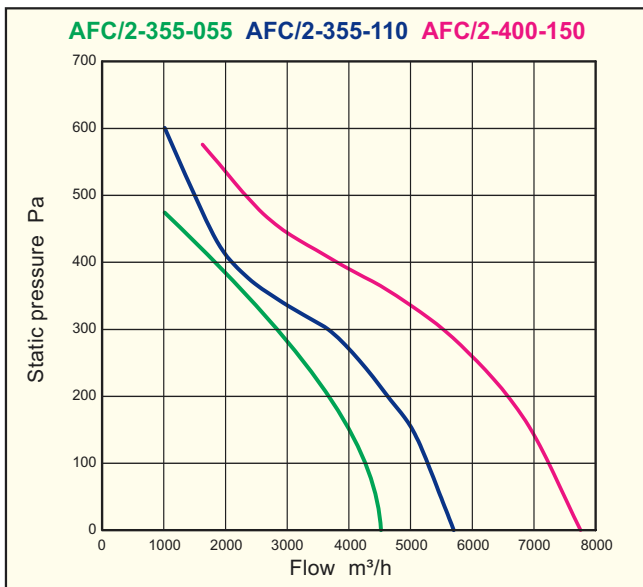
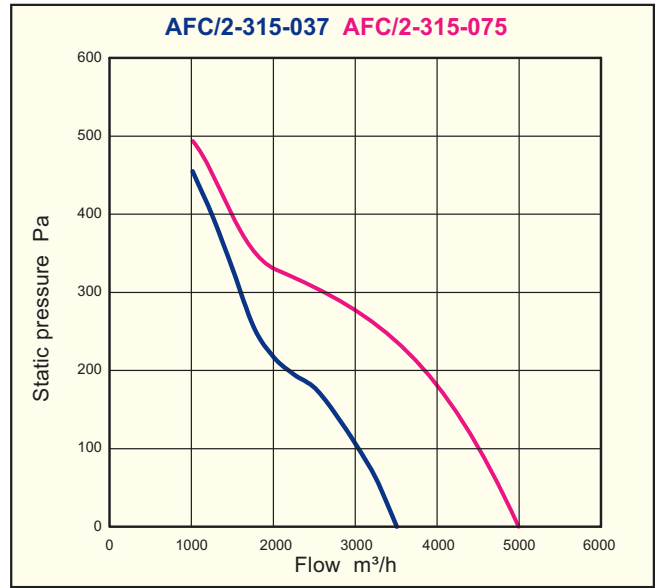
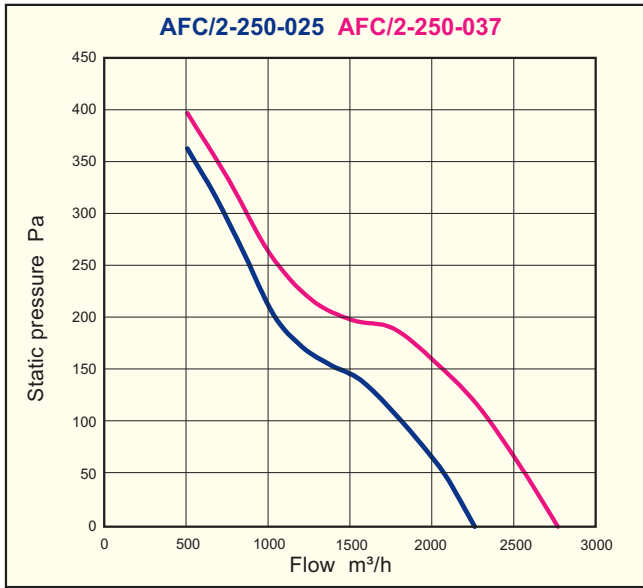
| Type | A | B | C | D | E | Number of holes |
|-----------------|------|------|------|------|----|--------------------|
| AFC/2-250-037 | 310 | 280 | 300 | 250 | 8 | 8 |
| AFC/2-315-110 | 375 | 345 | 330 | 315 | 8 | 8 |
| AFC/2-355-110 | 426 | 395 | 380 | 355 | 10 | 8 |
| AFC/2-400-150 | 500 | 450 | 380 | 400 | 10 | 8 |
| AFC/2-450-□ | 550 | 500 | 430 | 450 | 10 | 8 |
| AFC/2-500-300 | 600 | 550 | 450 | 500 | 12 | 12 |
| AFC/4-560-150 | 660 | 610 | 450 | 560 | 12 | 12 |
| AFC/4-630-220 | 736 | 690 | 500 | 630 | 12 | 12 |
| AFC/4-710-400 | 810 | 760 | 470 | 710 | 12 | 12 |
| AFC/4-800-400 | 900 | 850 | 480 | 800 | 12 | 12 |
| AFC/4-900-400 | 1000 | 950 | 490 | 900 | 12 | 12 |
| AFC/4-900P-750 | 1000 | 950 | 570 | 900 | 12 | 12 |
| AFC/4-1000-1100 | 1100 | 1050 | 730 | 1000 | 12 | 12 |
| AFC/6-1250-1100 | 1350 | 1310 | 750 | 1250 | 12 | 16 |
| AFC/6-1500-1100 | 1700 | 1600 | 750 | 1500 | 16 | 24 |
| AFC/8-2000-1100 | 2200 | 2100 | 1010 | 2000 | 16 | 24 |

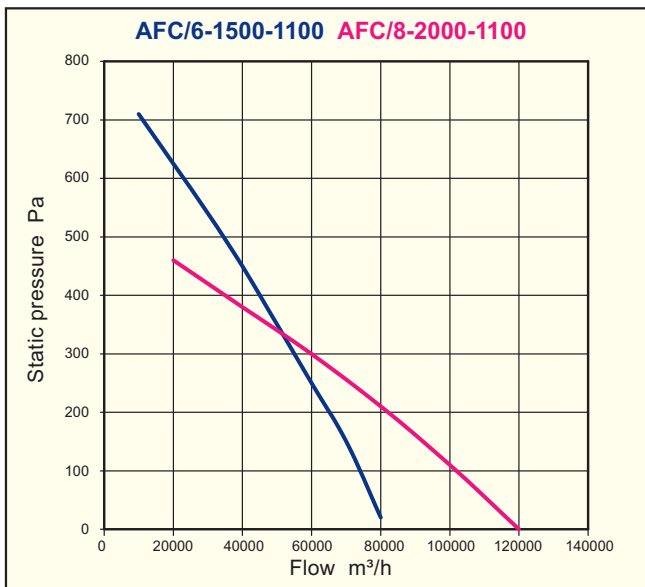
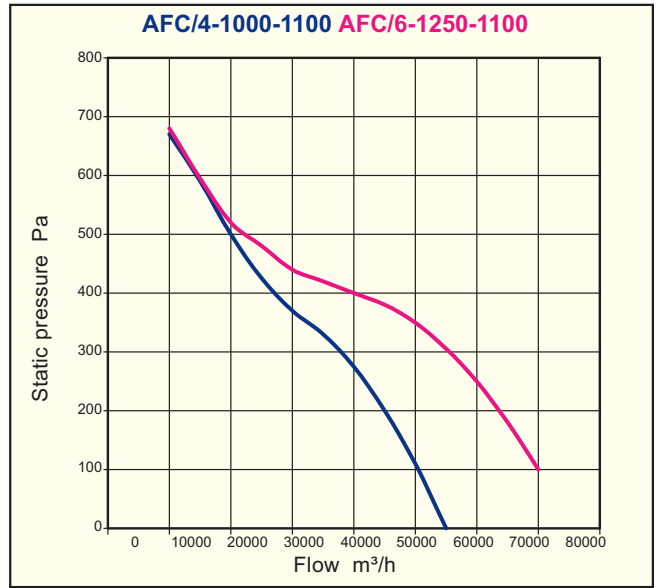
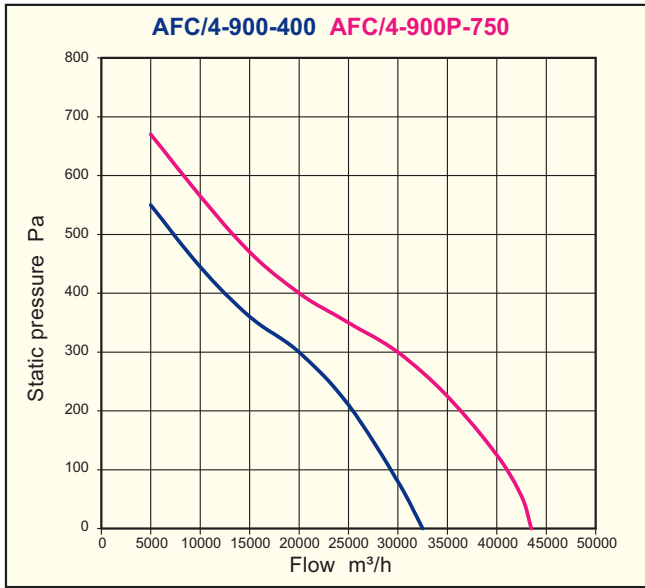


Assembly instructions



Performance curves







Construction

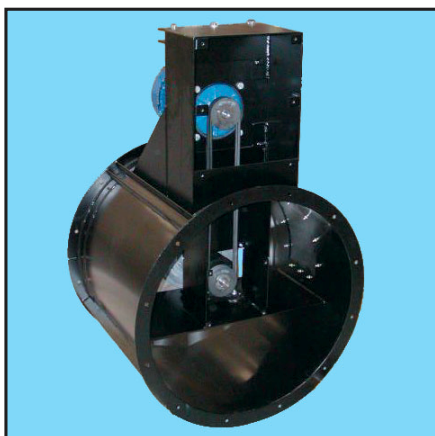
Belt driven axial-flow fan for installation in a ducted system. Casing of powder coated steel sheet, RAL9005. Impellers in fiberglass reinforced polyamide. Casing in acid-proof steel or galvanized steel and impellers in die-cast aluminium or steel sheet may be supplied on request. Maximum allowed temperature for transported air is -20°C to 100°C.

For performance curves see AFC.

Motor

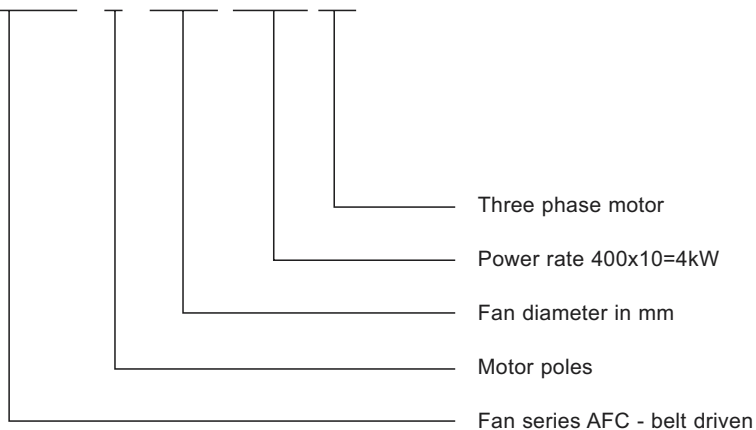
220-240/380-420V, 50Hz (380-420/660-690V over 3kW) three phase or 220-240V, 50Hz single-phase asynchronous motor with squirrel cage rotor, in accordance with IEC 72 and IEC 34-1. Insulation class F, enclosure IP55. Special voltage or frequency, improved enclosure IP65, explosion proof motor may be supplied on request.

Wiring diagram see page 235.

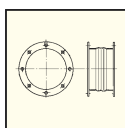


Model numbering system

AFC - VB / 4 - 7 10 - 400 T

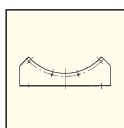


Accessories



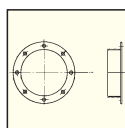
Sleeve AFC

page 69



Stand AFC

page 69



Coupling

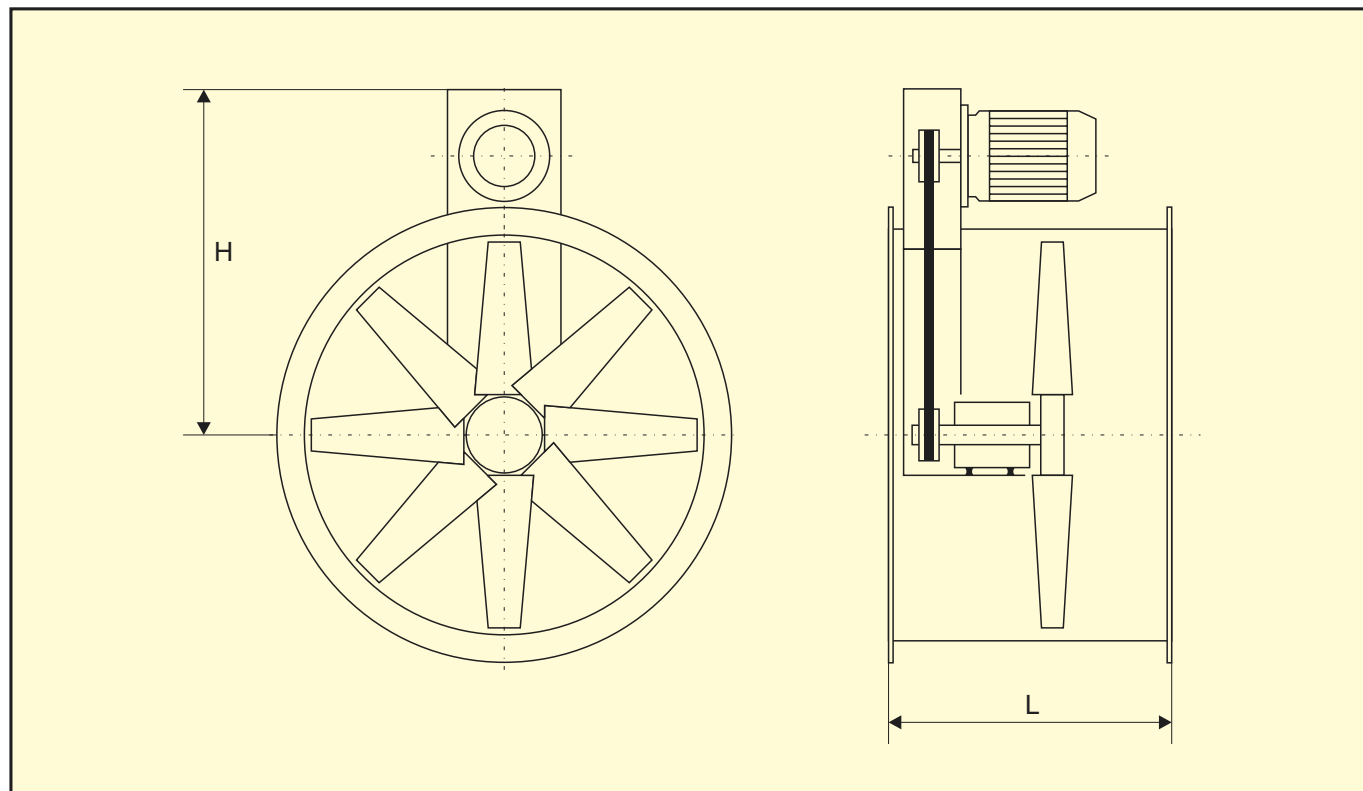
page 69



Protection net

page 69

Data and dimensions in mm



For characteristics see AFC.

Data

| Type | Voltage V | Motor power kW | Maximum current A | L | H | Article number |
|--------------------|--------------|----------------------|-------------------------|------|------|----------------|
| AFC-VB/2-400-150 | 400 | 1,5 | 3,4 | 480 | 480 | 213917100 |
| AFC-VB/2-450-300 | 400 | 3 | 6,5 | 500 | 540 | 213917110 |
| AFC-VB/2-500-300 | 400 | 3 | 6,5 | 500 | 570 | 213917120 |
| AFC-VB/4-560-150 | 400 | 1,5 | 4,3 | 500 | 600 | 213917130 |
| AFC-VB/4-630-220 | 400 | 2,2 | 4,8 | 660 | 670 | 213917140 |
| AFC-VB/4-710-400 | 400 | 4 | 8,1 | 810 | 660 | 213917150 |
| AFC-VB/4-800-400 | 400 | 4 | 8,1 | 850 | 750 | 213917160 |
| AFC-VB/4-900-400 | 400 | 4 | 8,1 | 1000 | 900 | 213917170 |
| AFC-VB/4-900-750 | 400 | 7,5 | 14,4 | 1000 | 900 | 213917180 |
| AFC-VB/4-1000-1100 | 400 | 11 | 21,2 | 1205 | 1004 | 213917190 |



Construction

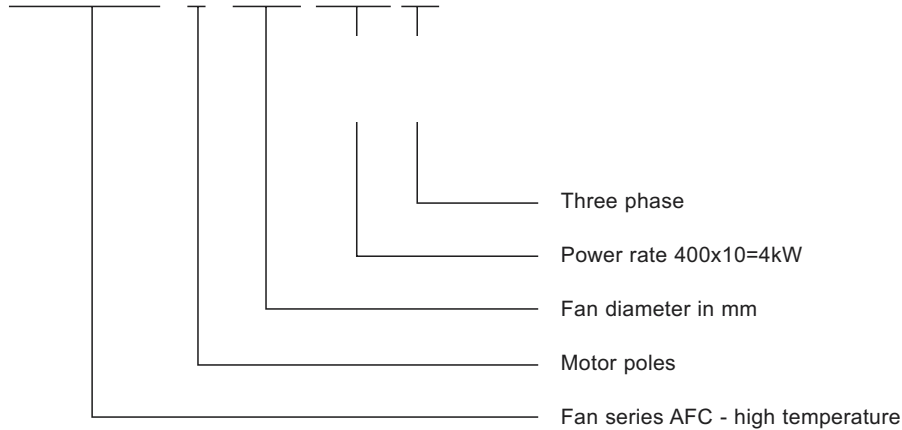
Axial fan designed for installation in a ducted system. Casing of steel sheet, powder coated RAL7042. Made for temperatures up to 90°C continuous running (100°C 10 min/h). Impeller in die-cast aluminium. Casing in acid-proof steel or galvanized steel may be supplied on request. For performance curves see AFC.

Motor

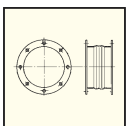
220-240/380-420V, 50Hz (380-420/660-690V over 3kW) three-phase or 220-240V, 50Hz single-phase asynchronous motor with squirrel cage rotor. Insulation class F, enclosure IP55. Special voltage or frequency, improved enclosure IP65, may be supplied on request. Wiring diagram see page 235.

Model numbering system

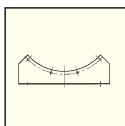
AFC-HT/4-710-400 T



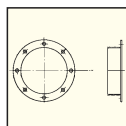
Accessories



Sleeve AFC
page 69



Stand AFC
page 69



Coupling
page 69



Protection net
page 69



Construction

Axial-flow fan in cased version with casing welded of acid-proof steel and reversible impeller in die casted aluminium, dynamically balanced according to ISO1940. The fan is suitable for usage in environments with very high humidity.

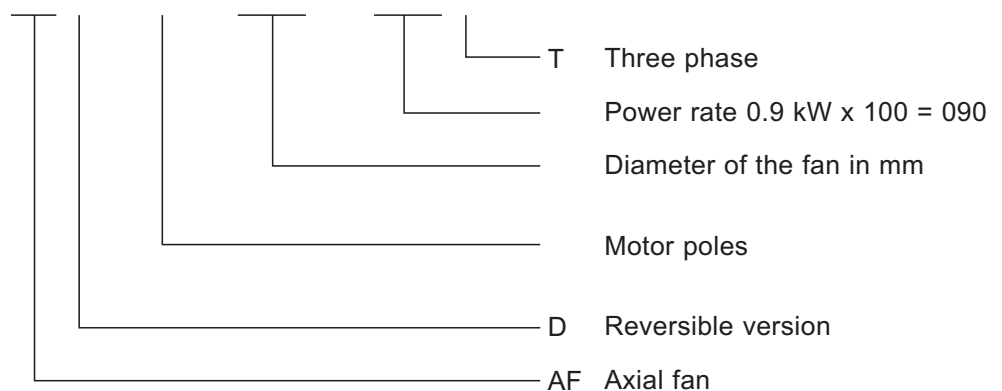
Motor

220-240/380-420V, 50 Hz (380-420/660-720V over 3kW) three-phase or 220-240V, 50Hz single-phase asynchronous motor with squirrel cage rotor, in accordance with IEC72 and IEC34-1. Insulation class H, enclosure IP55. Special voltage or frequency, improved enclosure IP65, explosion proof motor may be supplied on request. Wiring diagram, see page 235.



Model numbering system

A F D / 2 - 6 0 0 - 0 9 0 T

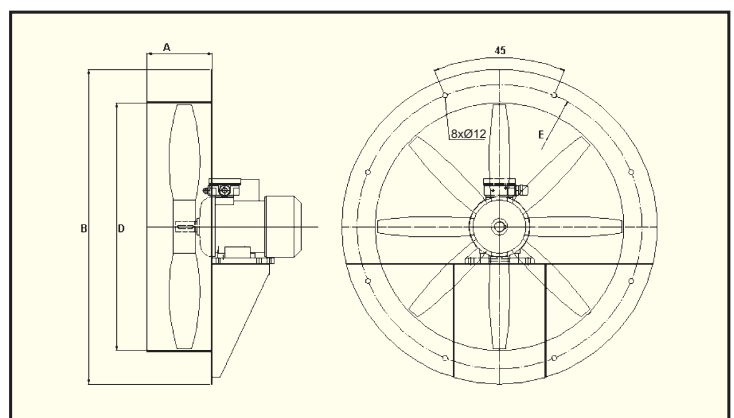


Data

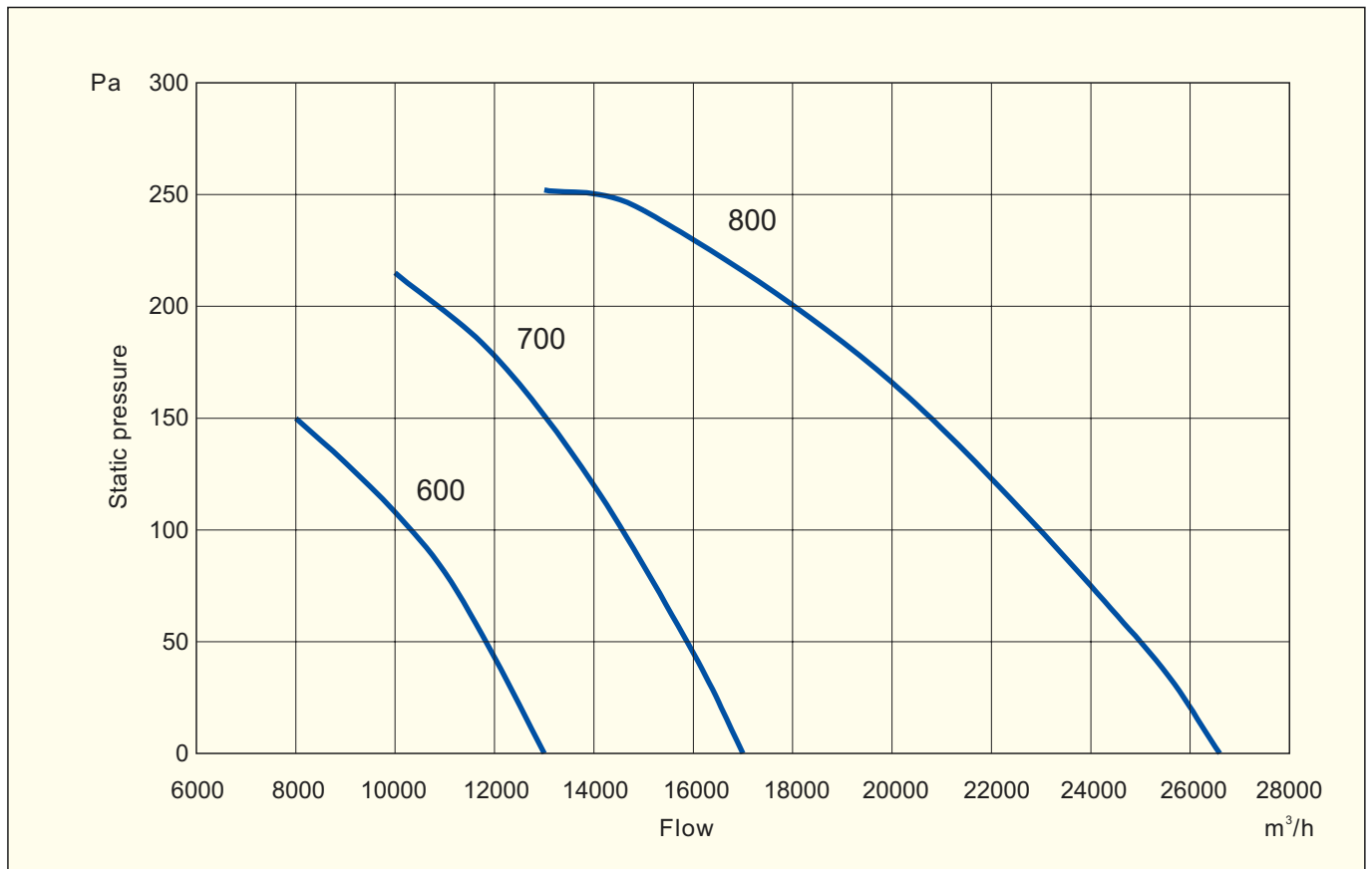
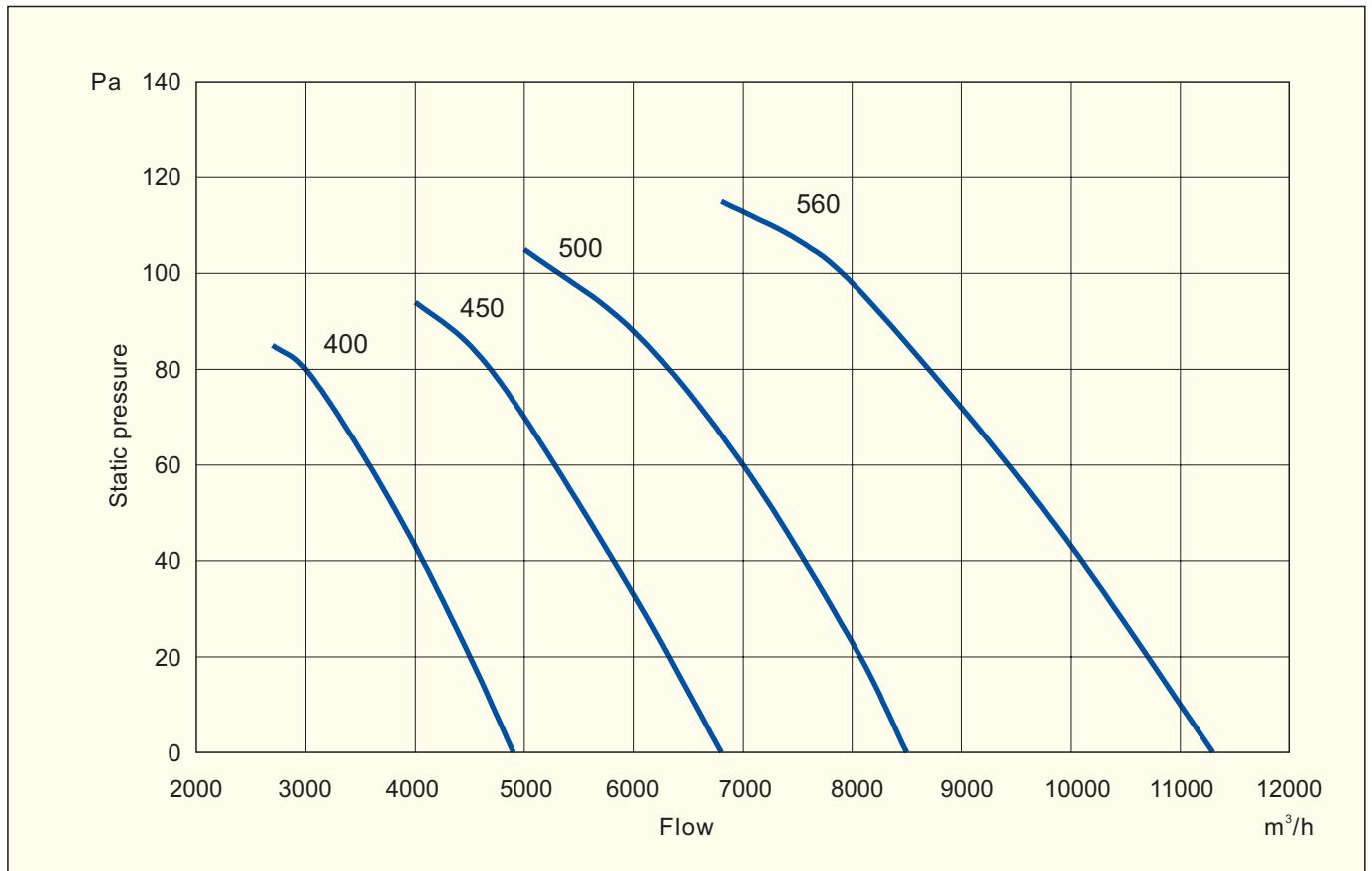
| Type | Speed rpm | Motor power kW | Voltage V | Maximum current A | Maximum duty m³/h | Article number |
|----------------|--------------|-------------------|--------------|----------------------|----------------------|----------------|
| AFD/4-400-025T | 1400 | 0,25 | 400 | 0,71 | 4 900,00 | 213 913 400 |
| AFD/4-450-037T | 1400 | 0,37 | 400 | 0,98 | 6 800,00 | 213 913 450 |
| AFD/4-500-055T | 1400 | 0,55 | 400 | 1,5 | 8 500,00 | 213 913 500 |
| AFD/4-560-090T | 1400 | 0,90 | 400 | 2,4 | 11 300,00 | 213 913 560 |
| AFD/4-600-090T | 1450 | 0,90 | 400 | 2,4 | 13 000,00 | 213 913 600 |
| AFD/4-700-220T | 1420 | 2,2 | 400 | 4,8 | 17 000,00 | 213 913 700 |
| AFD/4-800-300T | 1420 | 3,0 | 400 | 6,5 | 26 600,00 | 213 913 800 |

Dimensions in mm

| Type | A | B | D | E |
|------|-----|-----|-----|-----|
| 400 | 100 | 500 | 410 | 450 |
| 450 | 100 | 550 | 460 | 500 |
| 500 | 100 | 600 | 510 | 550 |
| 560 | 100 | 660 | 570 | 610 |
| 600 | 160 | 775 | 610 | 700 |
| 700 | 160 | 875 | 710 | 800 |
| 800 | 160 | 975 | 810 | 900 |



Performance curves





Construction

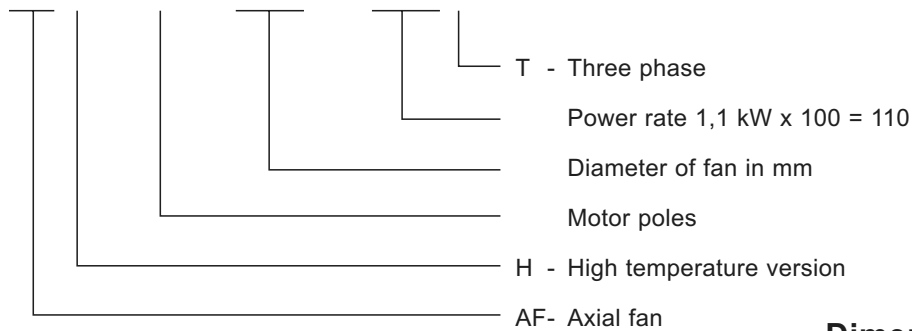
Bifurcated axial fan in tubular version, with motor placed in a chamber, isolated from the air stream. Design allows continuous transportation of gases with max. temp. 150°C. Casing of rolled and electro-welded steel sheet, powder coated. Impeller in die-casted aluminium. Casings in acid-proof steel or galvanized steel and impellers in steel sheet may be supplied on request.

Motor

220-240/380-420V, 50Hz (380-420/660-720V over 3kW) three-phase or 220-240V, 50Hz single-phase asynchronous motor with squirrel cage rotor, in accordance with IEC72 and IEC-34-1. Insulation class F, enclosure IP55. Special voltage or frequency, improved enclosure IP65, explosion proof motor may be supplied on request. Wiring diagram, see page 235.

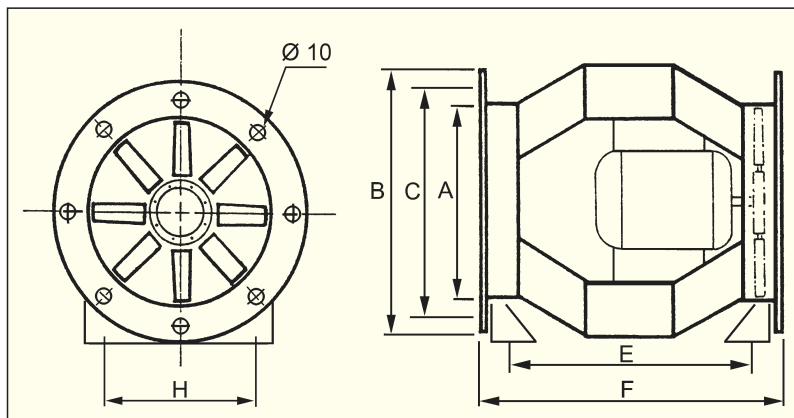
Model numbering system

AFH / 2 - 400 - 110 T



Maximum allowed temperature

- +150°C - continuous running
- +200°C - temporary running



Dimensions in mm

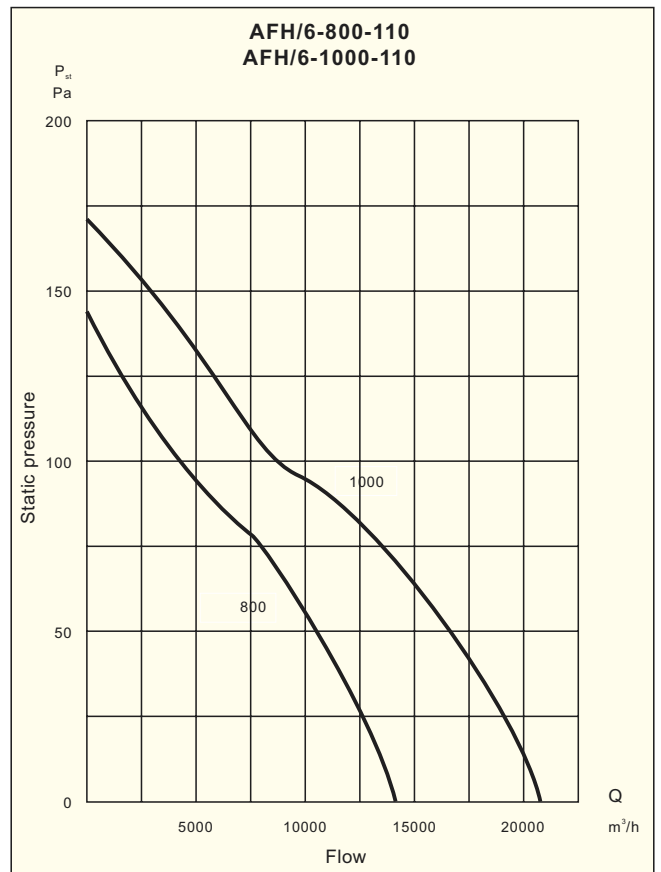
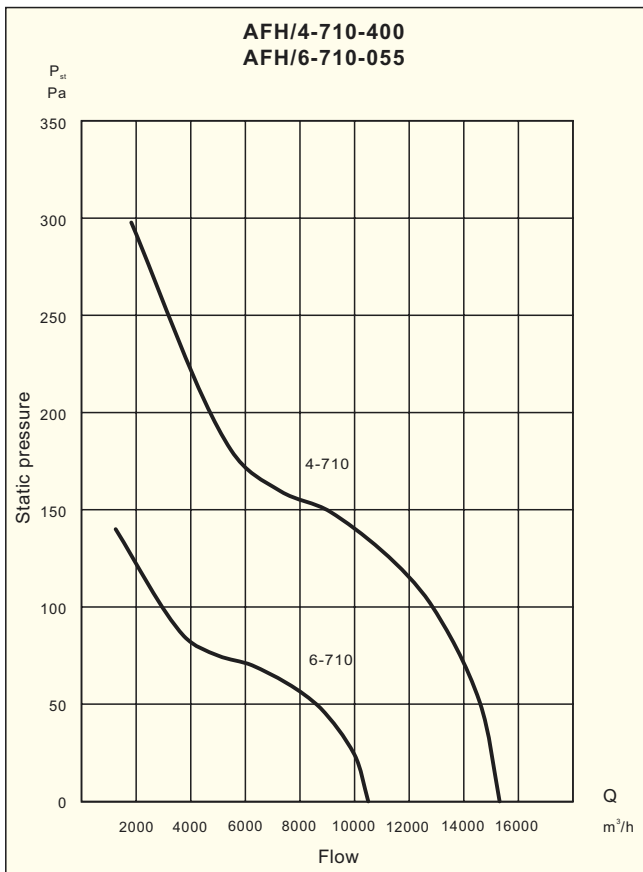
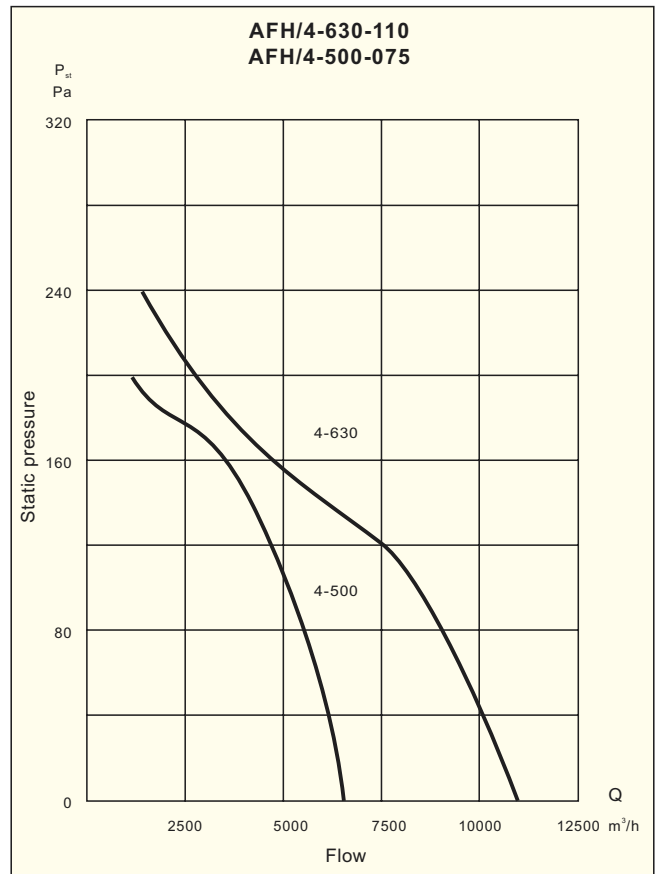
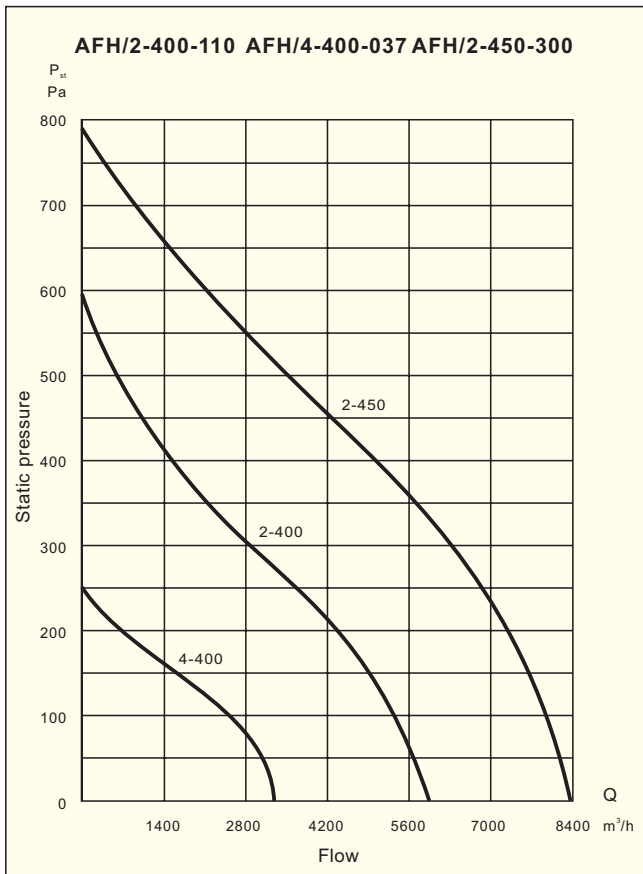
| Type | A | B | C | E | F | H | No. of holes |
|----------|------|------|------|------|------|-----|--------------|
| AFH-400 | 400 | 504 | 460 | 422 | 580 | 200 | 8 |
| AFH-450 | 450 | 554 | 500 | 572 | 640 | 340 | 8 |
| AFH-500 | 500 | 606 | 556 | 662 | 730 | 280 | 8 |
| AFH-630 | 630 | 736 | 686 | 662 | 730 | 340 | 12 |
| AFH-710 | 710 | 830 | 766 | 702 | 770 | 310 | 12 |
| AFH-800 | 800 | 906 | 856 | 702 | 830 | 370 | 12 |
| AFH-1000 | 1000 | 1106 | 1056 | 1150 | 1270 | 550 | 12 |

Technical specification

| Type | Speed rpm | Motor power kW | Maximum current (400 V) A | Maximum duty m³/h | Sound level * dB (A) | Article number |
|------------------|-----------|----------------|---------------------------|-------------------|----------------------|----------------|
| AFH/2-400-110 S | 2800 | 1,10 | 2,50 | 6150 | 83 | 113 912 090 |
| AFH/2-400-110 T | 2800 | 1,10 | 2,50 | 6150 | 83 | 113 912 100 |
| AFH/4-400-037 T | 1400 | 0,37 | 1,07 | 3300 | 74 | 113 912 110 |
| AFH/2-450-300 T | 2800 | 3,00 | 6,50 | 8400 | 85 | 113 912 300 |
| AFH/4-500-075 T | 1400 | 0,75 | 1,81 | 6300 | 76 | 113 912 400 |
| AFH/4-630-110 T | 1400 | 1,10 | 2,70 | 10800 | 78 | 113 912 500 |
| AFH/4-710-400 T | 1400 | 4,00 | 8,30 | 15300 | 80 | 113 912 610 |
| AFH/6-710-055 T | 920 | 0,55 | 1,65 | 10500 | 75 | 113 912 600 |
| AFH/6-800-110 T | 920 | 1,10 | 2,90 | 14400 | 76 | 113 912 700 |
| AFH/6-1000-110 T | 920 | 1,10 | 2,90 | 20080 | 81 | 113 912 800 |

* - distance 3 m

Performance curves





Construction

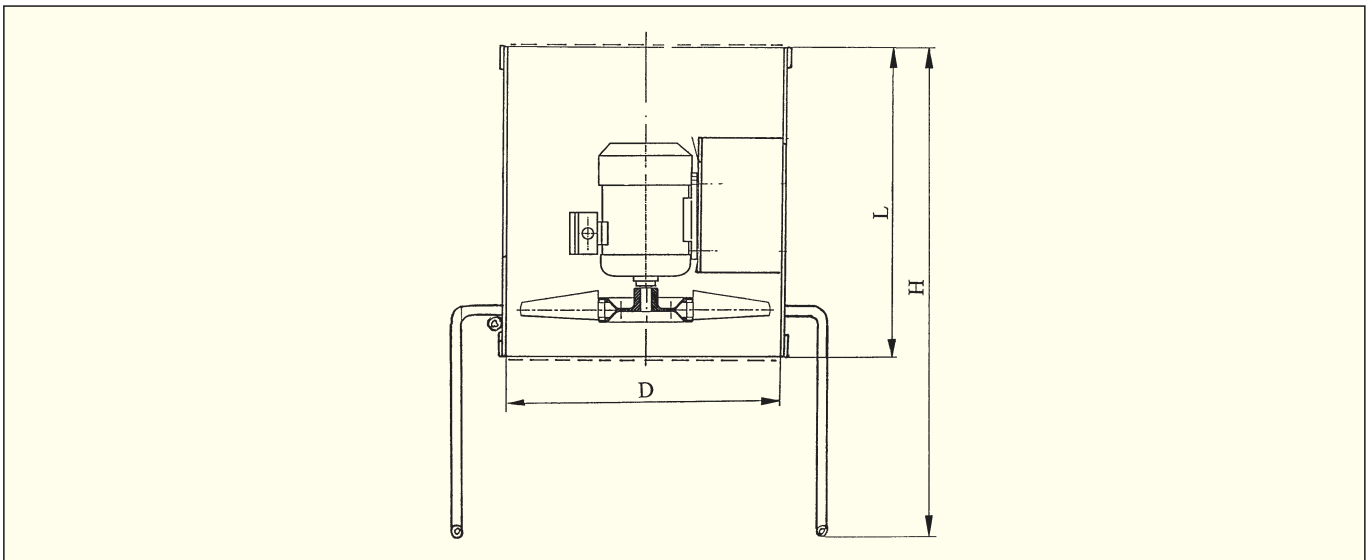
Axial-flow fan with vertical stand, casing in welded steel sheet, fan blades in fiberglass reinforced polypropylene with a hub in aluminium, dynamically balanced according to ISO1940, wire guards on the inlet and outlet. The fan is provided with a protection nets and a pre-assembled switch with a speed regulator. The fan can be used as a local cooler, dryer, exhauster or temperature balancer.

Motor

220-240V, 50Hz single-phase asynchronous motor. Enclosure IP55, class F insulation. Special voltage or frequency, and enclosure may be supplied on request.

Wiring diagram, see page 235.

Dimensions in mm

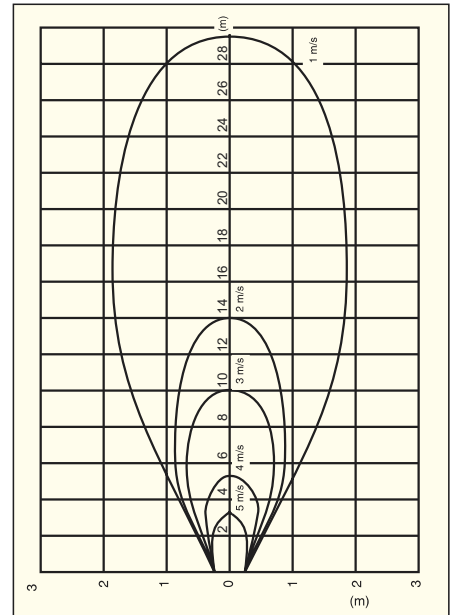
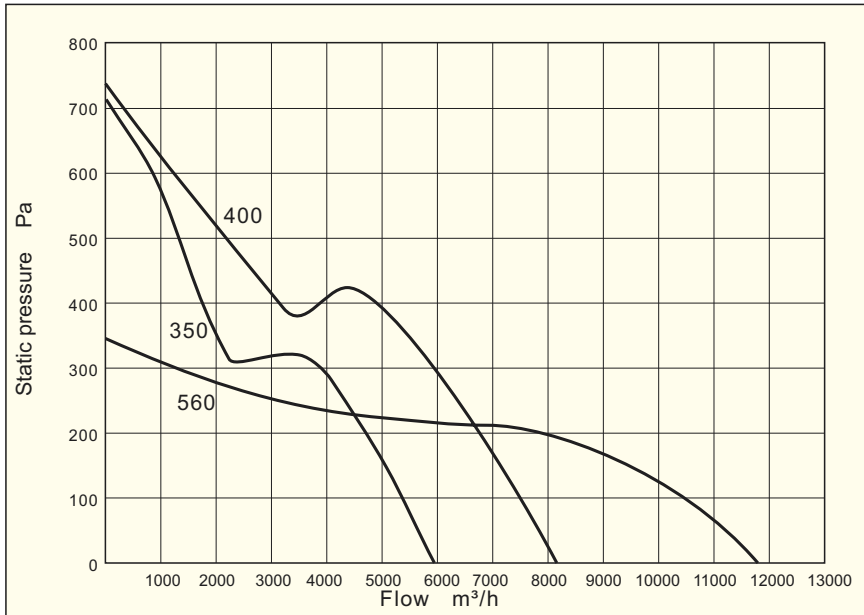


| Type | D | L | H |
|----------------|-----|-----|-----|
| AFS/2-350-055S | 360 | 400 | 665 |
| AFS/2-400-110S | 410 | 410 | 680 |
| AFS/4-560-110S | 580 | 460 | 790 |

Data

| Type | Speed rpm | Motor power kW | Maximum current A | Voltage V | Maximum flow m³/h | Sound pressure level dB (A) | Weight kg | Article number |
|----------------|--------------|----------------------|-------------------------|--------------|-------------------------|--------------------------------------|--------------|-------------------|
| AFS/2-350-055S | 2860 | 0,55 | 3,4 | 230 | 5750 | 78 | 24 | 213914 535 |
| AFS/2-400-110S | 2800 | 1,10 | 7,9 | 230 | 8000 | 80 | 26 | 213914 540 |
| AFS/4-560-110S | 2860 | 1,10 | 7,0 | 230 | 12000 | 77 | 37 | 213914 560 |

Performance curves





Construction

Axial-flow fan for duct mounting with a casing in welded steel sheet, fan blades in fiberglass reinforced polypropylene with a hub in aluminium, dynamically balanced according to ISO1940, wire guards on the inlet and outlet. The fan is provided with a stand and a pre-assembled switch with a speed regulator. The fan can be used as a local cooler, dryer, exhauster or temperature balancer.

Motor

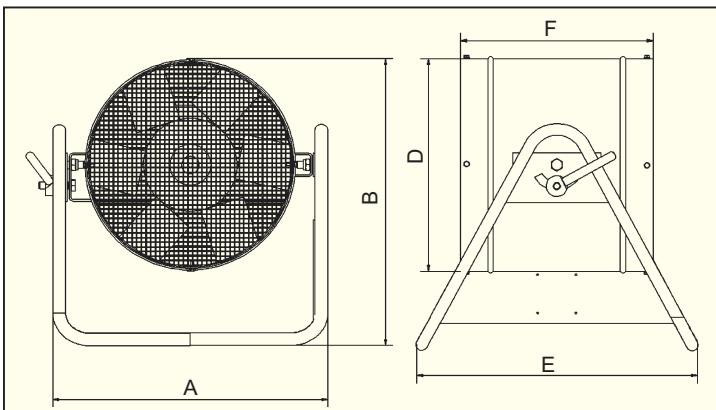
220–240V, 50Hz single-phase asynchronous motor according to UNE-113 and IEC34-1, with a thermal motor protection type Klixon. Enclosure IP55, class F insulation. Special voltage or frequency, and enclosure may be supplied on request. Wiring diagram, see page 235.

Data

| Type | Speed rpm | Voltage V | Motor power kW | Maximum current A | Maximum duty m³/s | Sound level* dB (A) | Article number |
|---------|--------------|--------------|-------------------|-------------------------|-------------------------|------------------------|-------------------|
| AFK-315 | 1420 | 230 | 0,12 | 1,0 | 0,7 | 61 | 213 914 315 |
| AFK-355 | 1420 | 230 | 0,18 | 1,4 | 1 | 62 | 213 914 355 |
| AFK-400 | 1420 | 230 | 0,37 | 2,8 | 1,5 | 65 | 213 914 400 |
| AFK-450 | 1420 | 230 | 0,55 | 3,8 | 2 | 69 | 213 914 450 |
| AFK-500 | 1420 | 230 | 0,55 | 3,8 | 2,5 | 71 | 213 914 500 |
| AFK-560 | 1420 | 230 | 0,55 | 3,8 | 3 | 72 | 213 914 560 |

* - distance 1 m

Dimensions in mm

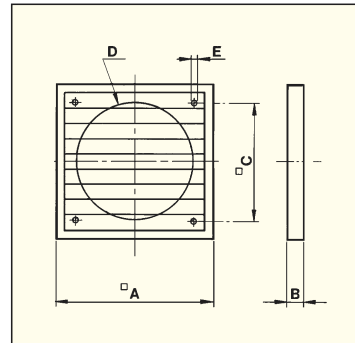


| Type | A | B | D | E | F |
|---------|-----|-----|-----|-----|-----|
| AFK-315 | 430 | 450 | 315 | 400 | 300 |
| AFK-355 | 470 | 500 | 355 | 450 | 320 |
| AFK-400 | 520 | 560 | 400 | 500 | 350 |
| AFK-450 | 570 | 600 | 450 | 650 | 400 |
| AFK-500 | 620 | 700 | 500 | 650 | 400 |
| AFK-560 | 680 | 800 | 560 | 700 | 500 |

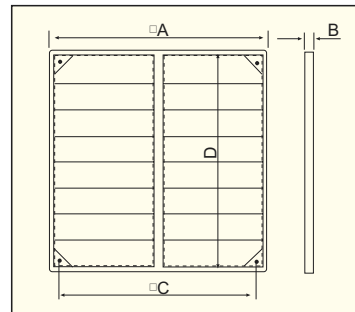


PER-W

Louvre shutters in plastic



| Type | A | B | C | ØD | ØE |
|-------------|-----|----|-----|-----|----|
| PER-100 W | 123 | 12 | 90 | 98 | 4 |
| PER-125 W | 158 | 15 | 110 | 130 | 4 |
| PER-160 W | 178 | 20 | 130 | 152 | 4 |
| PER-200 W/N | 245 | 20 | 190 | 210 | 5 |
| PER-250 W/N | 299 | 25 | 235 | 260 | 5 |
| PER-300 W/N | 347 | 26 | 274 | 310 | 5 |
| PER-350 W/N | 397 | 26 | 310 | 360 | 5 |
| PER-400 W/N | 460 | 26 | 364 | 423 | 5 |
| PER-450 W/N | 501 | 31 | 395 | 460 | 5 |
| PER-500 W/N | 549 | 31 | 445 | 510 | 5 |

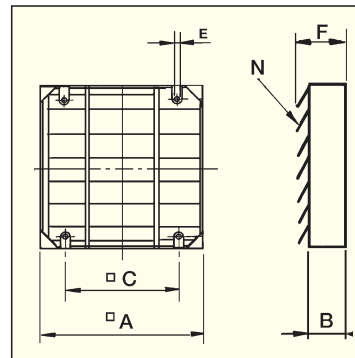


| Type | A | D | C | B |
|-------------|------|------|-----|----|
| PER-560 W/N | 610 | 567 | 530 | 30 |
| PER-650 W/N | 701 | 660 | 626 | 31 |
| PER-710 W/N | 749 | 710 | 663 | 31 |
| PER-800 W | 840 | 800 | 772 | 40 |
| PER-1000 W | 1040 | 1000 | 972 | 40 |

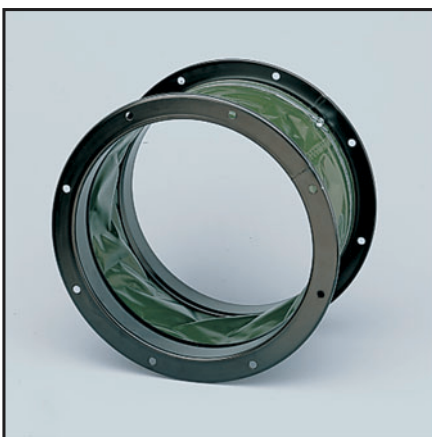


PER-CN

Louvre shutters in aluminium sheet

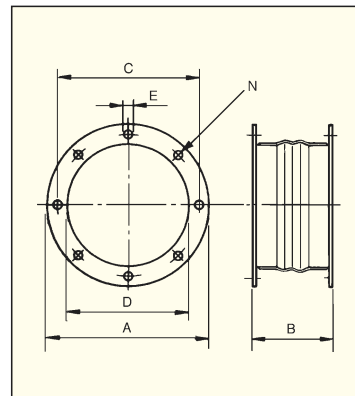


| Type | A | B | C |
|-------------|------|----|-----|
| PER-250 CN | 333 | 40 | 287 |
| PER-355 CN | 398 | 40 | 352 |
| PER-400 CN | 451 | 40 | 405 |
| PER-450 CN | 504 | 40 | 458 |
| PER-500 CN | 557 | 40 | 511 |
| PER-630 CN | 700 | 50 | 590 |
| PER-710 CN | 800 | 50 | 690 |
| PER-800 CN | 900 | 50 | 790 |
| PER-1000 CN | 1100 | 50 | 990 |

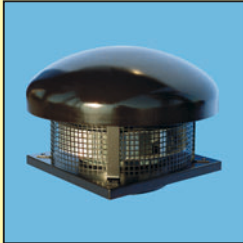


ACOP

Flexible flange connector



| Type | ØA | B Max. | B Min. | ØC | ØD | ØE | N - No of holes |
|----------|-----|--------|--------|-----|-----|----|-----------------|
| ACOP-250 | 323 | 200 | 110 | 292 | 250 | 10 | 4 |
| ACOP-315 | 386 | 220 | 110 | 355 | 315 | 10 | 8 |
| ACOP-355 | 426 | 220 | 110 | 395 | 355 | 10 | 8 |
| ACOP-400 | 487 | 236 | 126 | 450 | 400 | 12 | 8 |
| ACOP-450 | 537 | 236 | 126 | 500 | 450 | 12 | 8 |
| ACOP-500 | 595 | 248 | 138 | 560 | 500 | 12 | 12 |
| ACOP-560 | 655 | 298 | 138 | 620 | 560 | 12 | 12 |
| ACOP-630 | 725 | 298 | 138 | 690 | 630 | 12 | 12 |
| ACOP-710 | 806 | 298 | 138 | 770 | 710 | 12 | 16 |
| ACOP-800 | 896 | 300 | 138 | 860 | 800 | 12 | 16 |



| | |
|-----------------------|-----------|
| RF | 72 |
| RFV | 75 |
| RBH | 77 |
| CTH..., CTV... | 79 |
| Accessories | 86 |

In-Line Fans

Axial-flow Fans Wall Versions

Axial-flow Fans Cased Versions

Roof Fans

Fans "ATEX"

Centrifugal Fans VISP/VASP

Centrifugal Fans

Side Channel Blowers

Chip Extractors

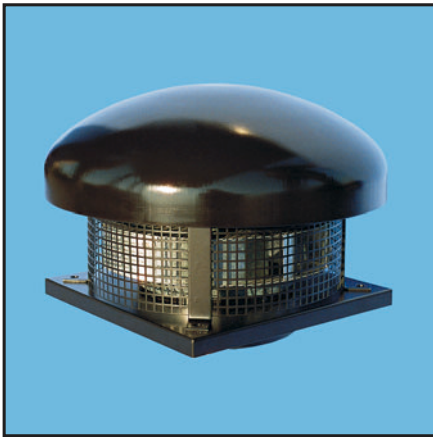
Domestic Fans

Accessories

Electric Diagrams

General Information

Index



Construction

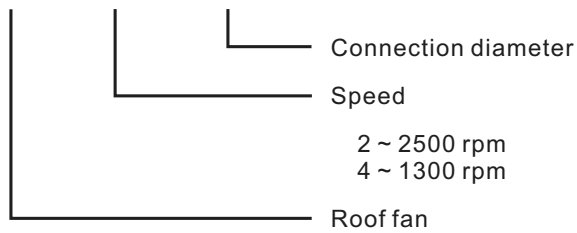
Roof fan for horizontal discharge with cowl pressed of steel sheet. Base welded of steel sheet. All the metallic parts are protected with black powder paint RAL9005. Backward curved impeller. Cowls and bases in other materials may be supplied on request.

Motor

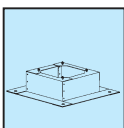
220-240V, 50Hz single-phase external rotor motor with capacitor, suitable for speed control. Enclosure IP44, insulation class B. Special voltage or frequency, improved enclosure and motors with thermal protection may be supplied on request. Wiring diagram, see page 236.

Model numbering system

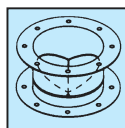
R F / 2 - 125



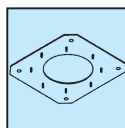
Accessories



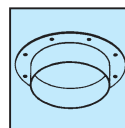
RS
page 86



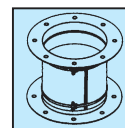
JCA
page 85



JPA
page 85



JBR
page 85



JAE
page 85



ACOP PL
page 26



REB
page 230



RMB
page 230



HIG-2
page 231



SQA
page 231

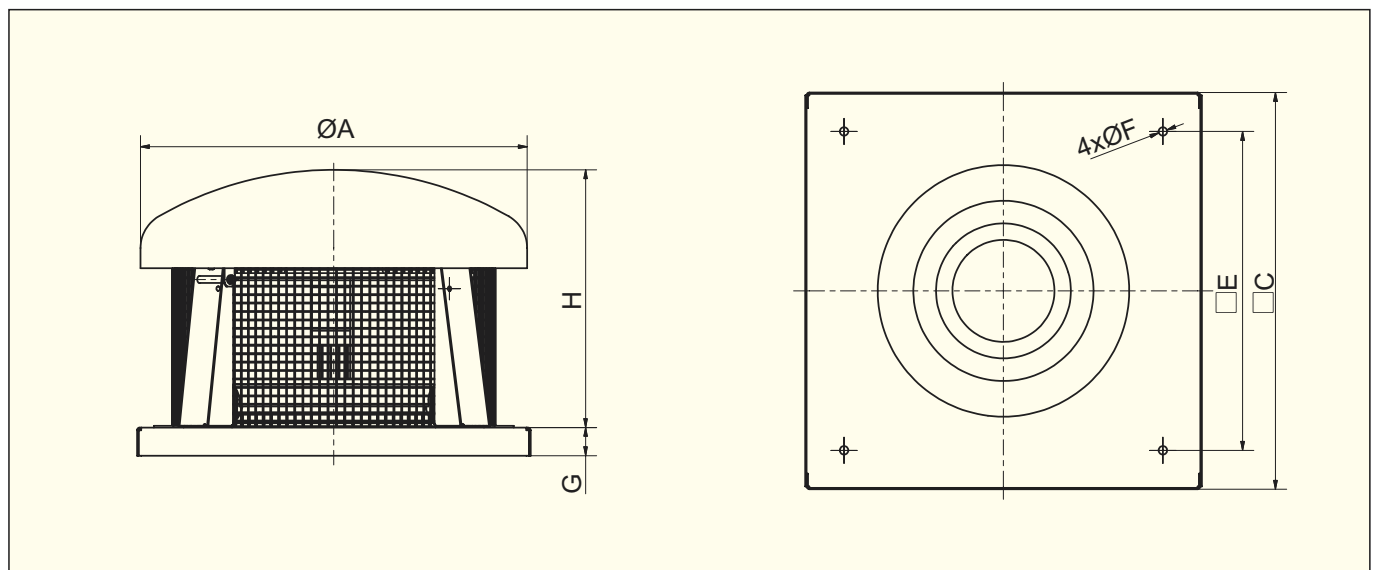


TS, TK
page 231

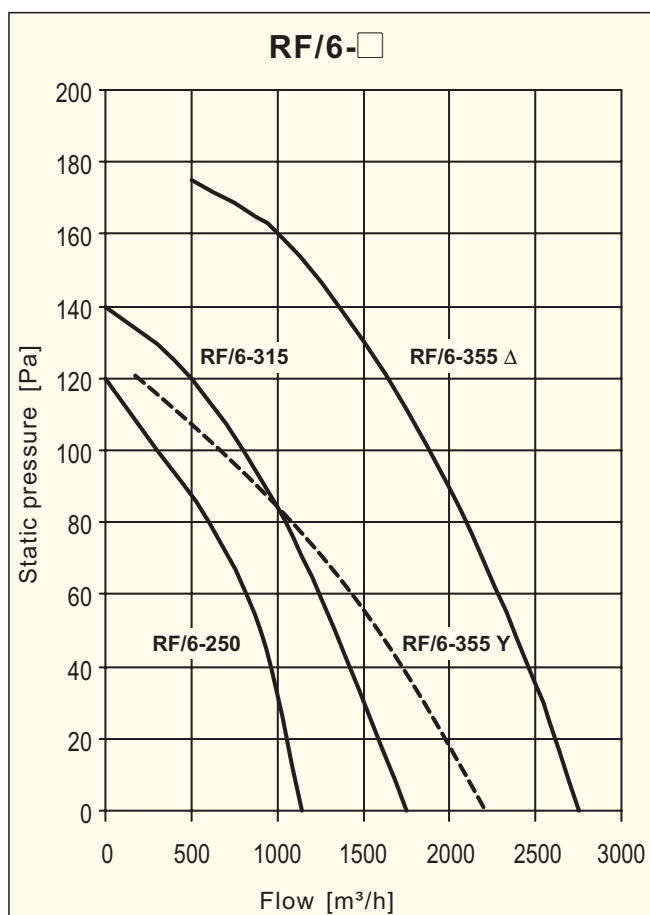
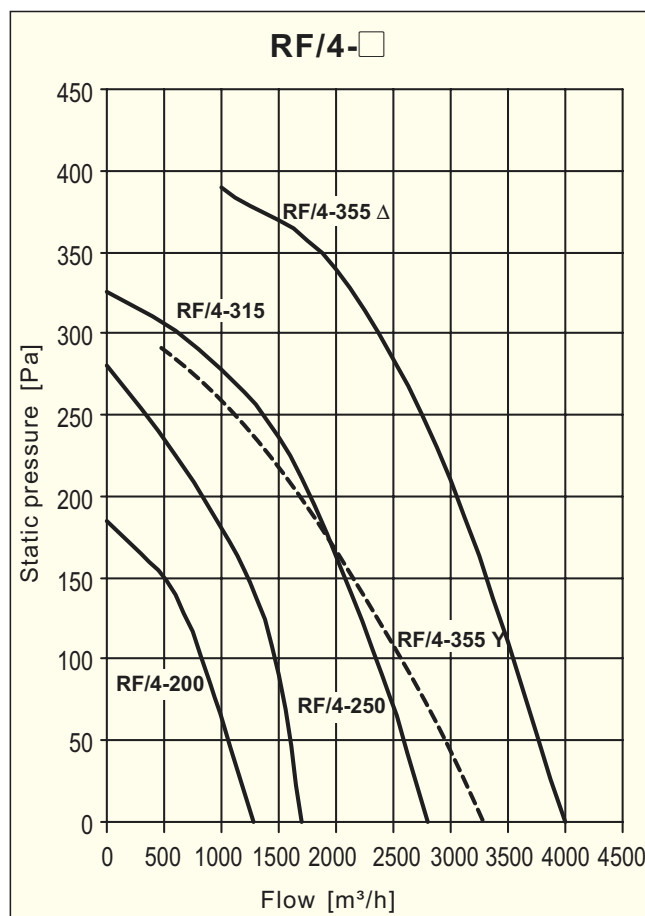
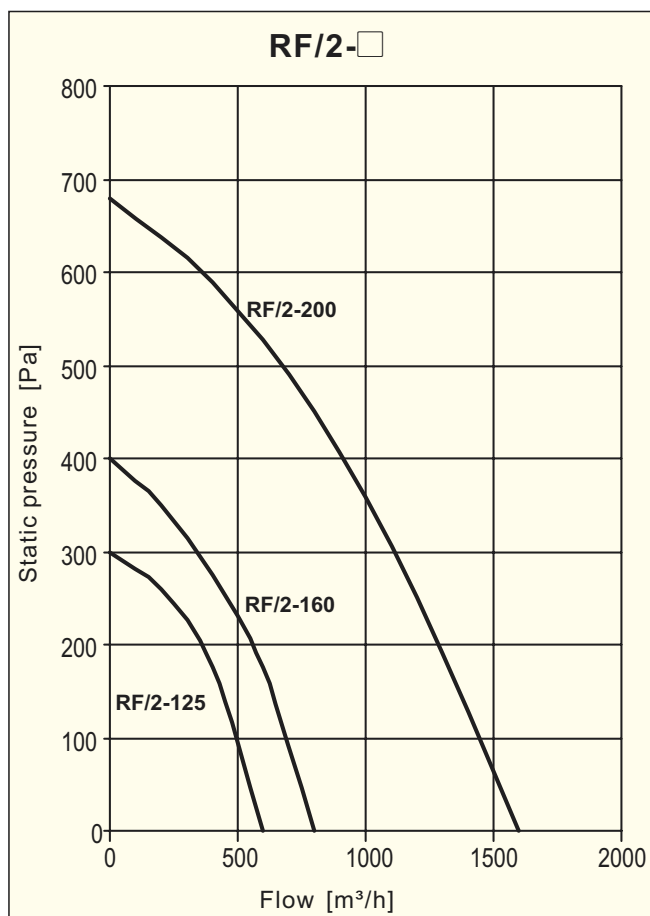
Technical specification

| Type | Speed rpm | Motor power W | Voltage V | Maximum current A | Maximum duty m³/h | Sound pressure level dB(A) | Weight kg | Article number |
|-----------|--------------|---------------------|--------------|-------------------------|-------------------------|----------------------------------|--------------|----------------|
| RF/2-125 | 2400 | 85 | 230 | 0,34 | 600 | 68 | 7,5 | 213 900 125 |
| RF/2-160 | 2790 | 110 | 230 | 0,53 | 820 | 76 | 8,0 | 213 900 160 |
| RF/2-200 | 1850 | 260 | 230 | 1,10 | 1590 | 76 | 11,0 | 213 900 200 |
| RF/4-200 | 1400 | 90 | 230 | 0,40 | 1280 | 60 | 11,0 | 213 900 210 |
| RF/4-250S | 1400 | 120 | 230 | 0,56 | 1700 | 63 | 14,0 | 213 900 250 |
| RF/4-250T | 1400 | 120 | 400 | 0,48 | 1700 | 63 | 14,0 | 213 900 260 |
| RF/4-315S | 1400 | 230 | 230 | 1,16 | 2800 | 65 | 16,0 | 213 900 315 |
| RF/4-315T | 1400 | 230 | 400 | 1,10 | 2800 | 65 | 16,0 | 213 900 320 |
| RF/6-250 | 965 | 47 | 230 | 0,18 | 1140 | 63 | 14,0 | 213 900 270 |
| RF/6-315 | 875 | 66 | 230 | 0,33 | 1750 | 64 | 16,0 | 213 900 330 |
| RF/4-355S | 1355 | 520 | 230 | 1,64 | 4050 | 78 | 25,0 | 213 900 355 |
| RF/4-355T | 1345 | 460 | 400 Δ | 1 | 4050 | 78 | 25,0 | 213 900 360 |
| | 1065 | 325 | 400 Y | 0,7 | 3300 | 71 | 25,0 | |
| RF/6-355S | 880 | 160 | 230 | 0,7 | 2750 | 67 | 25,0 | 213 900 370 |
| RF/6-355T | 890 | 160 | 400 Δ | 0,4 | 2750 | 67 | 25,0 | 213 900 380 |
| | 690 | 105 | 400 Y | 0,3 | 2200 | 64 | 25,0 | |

Dimensions in mm



| Type | $\varnothing A$ | B | $\square C$ | $\varnothing D$ | $\square E$ | $\varnothing F$ | G | H | I |
|--------------------|-----------------|-----|-------------|-----------------|-------------|-----------------|----|-----|----|
| RF/2-125 | 360 | 220 | 300 | 125 | 245 | 10 | 20 | 170 | 50 |
| RF/2-160 | 360 | 220 | 300 | 160 | 245 | 10 | 20 | 170 | 50 |
| RF/2-200 | 400 | 290 | 300 | 200 | 245 | 10 | 20 | 240 | 50 |
| RF/4-200 | 400 | 290 | 300 | 200 | 245 | 10 | 20 | 240 | 50 |
| RF/ \square -250 | 460 | 329 | 435 | 248 | 330 | 12 | 20 | 279 | 50 |
| RF/ \square -315 | 460 | 357 | 435 | 312 | 330 | 12 | 20 | 307 | 50 |
| RF/ \square -355 | 550 | - | 560 | - | 450 | 12 | 40 | 337 | - |





Construction

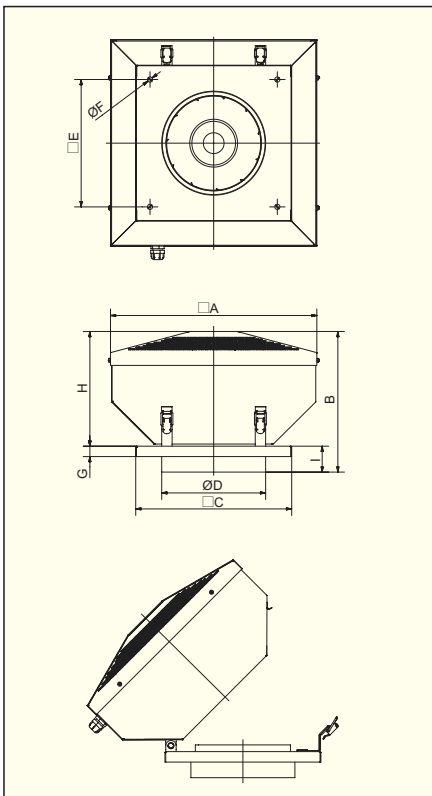
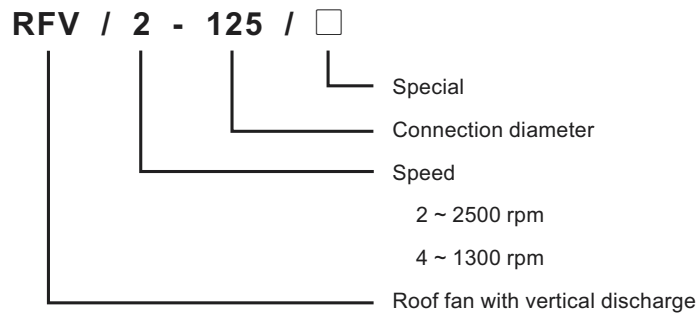
Roof fan for vertical discharge with welded casing and base of steel sheet, powder coated RAL5010. Backward curved impeller. The design of the fan enables a cover to be removed for easy inspection, service and duct cleaning. Casings and bases in other materials may be supplied on request.

Motor

220-240V, 50Hz single-phase external rotor motor with capacitor, suitable for speed control. Enclosure IP44, insulation class B. Special voltage or frequency, improved enclosure and motors with thermal protection may be supplied on request. Wiring diagram, see page 236.



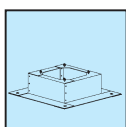
Model numbering system



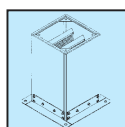
Dimensions in mm

| Type | □ A | B | □ C | ∅ D | □ E | ∅ F | G | H | I |
|---------|-----|-----|-----|-----|-----|-----|----|-----|----|
| RFV-125 | 307 | 217 | 300 | 125 | 245 | 10 | 20 | 167 | 50 |
| RFV-160 | 307 | 217 | 300 | 160 | 245 | 10 | 20 | 167 | 50 |
| RFV-200 | 397 | 285 | 300 | 200 | 245 | 10 | 20 | 235 | 50 |
| RFV-250 | 459 | 324 | 435 | 248 | 330 | 12 | 20 | 273 | 52 |
| RFV-315 | 459 | 351 | 435 | 312 | 330 | 12 | 20 | 300 | 52 |

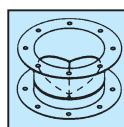
Accessories



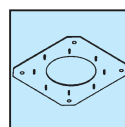
RS
page 86



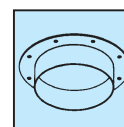
RSA
page 86



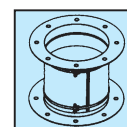
JCA
page 85



JPA
page 85



JBR
page 85



JAE
page 85



REB
page 230



RMB
page 230



HIG-2
page 231



SQA
page 231



TS, TK
page 231

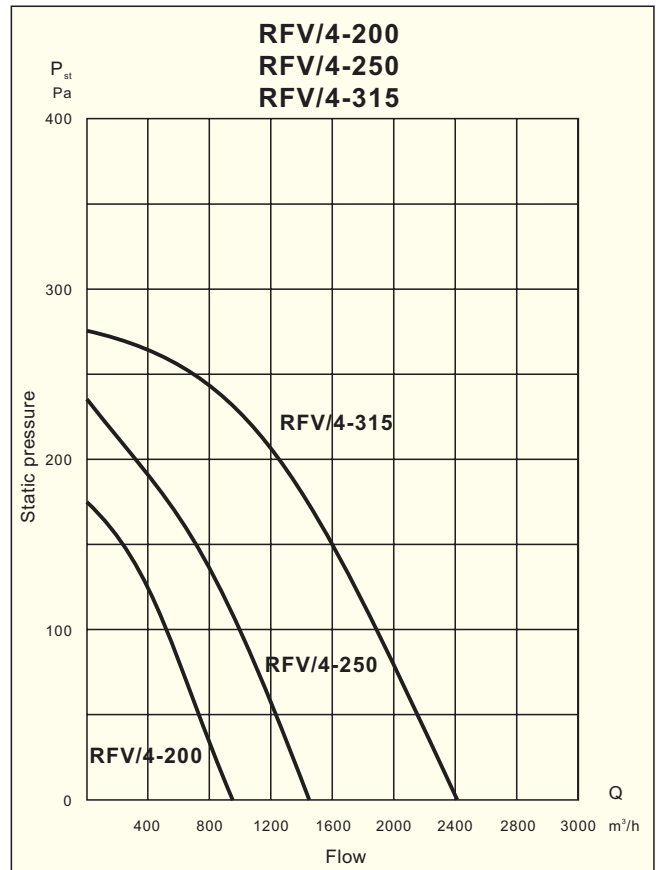
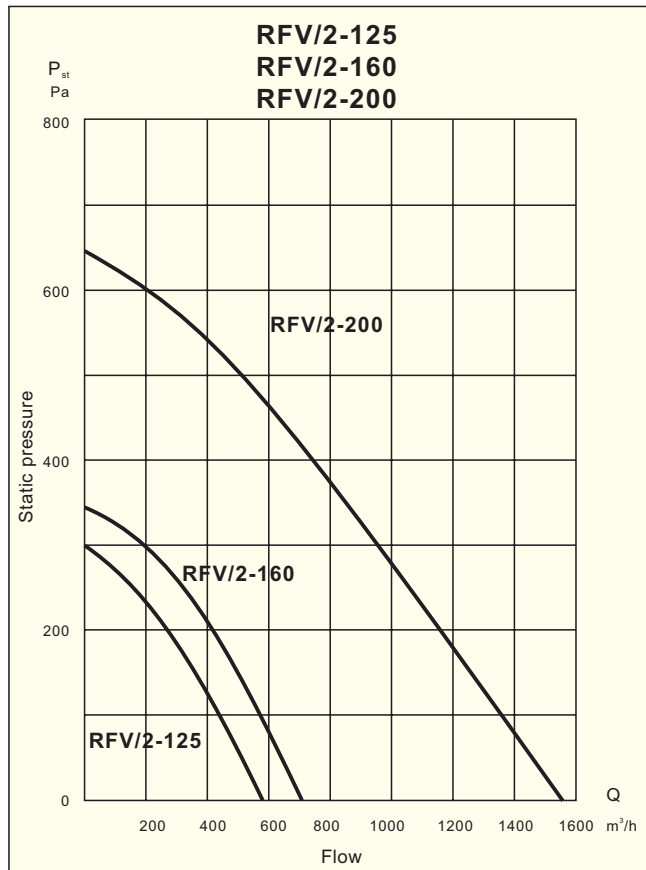


ACOP PL
page 26

Data

| Type | Speed rpm | Motor power W | Voltage V | Maximum current A | Maximum duty m³/h | Sound level dB(A) | Weight kg | Article number |
|------------|--------------|------------------|--------------|-------------------------|-------------------------|----------------------|--------------|----------------|
| RFV/2-125 | 2400 | 85 | 230 | 0,34 | 580 | 62 | 7,5 | 213 900 135 |
| RFV/2-160 | 2790 | 110 | 230 | 0,53 | 730 | 68 | 8,0 | 213 900 165 |
| RFV/2-200 | 1850 | 260 | 230 | 1,10 | 1550 | 69 | 11,0 | 213 900 205 |
| RFV/4-200 | 1400 | 90 | 230 | 0,40 | 1250 | 55 | 11,0 | 213 900 215 |
| RFV/4-250S | 1400 | 120 | 230 | 0,56 | 1650 | 58 | 14,0 | 213 900 255 |
| RFV/4-250T | 1400 | 120 | 400 | 0,48 | 1650 | 58 | 14,0 | 213 900 265 |
| RFV/4-315S | 1400 | 230 | 230 | 1,16 | 2800 | 59 | 16,0 | 213 900 325 |
| RFV/4-315T | 1400 | 230 | 400 | 1,10 | 2800 | 59 | 16,0 | 213 900 335 |

Performance curves





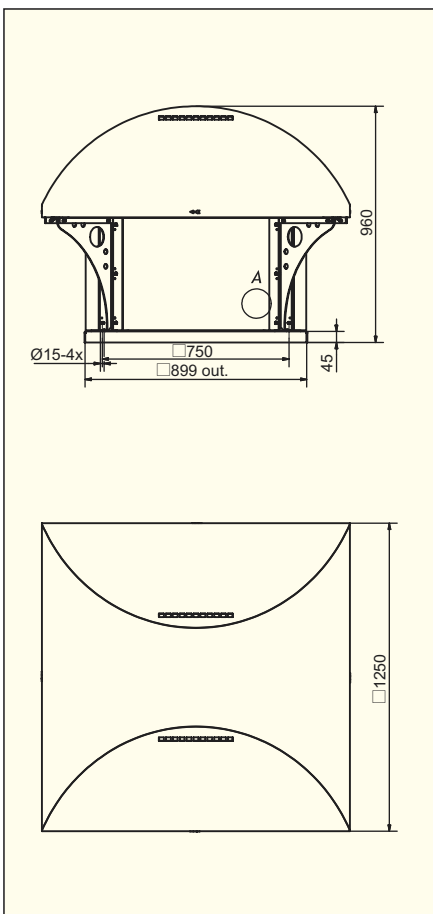
Construction

Roof fan for horizontal discharge, suitable for buildings with low degree of polluted air. Casing and base made of steel sheet, powder coated RAL9006. Impeller made of aluminium.

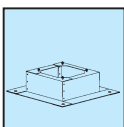
Motor

400V, 50Hz three-phase asynchronous motor, enclosure IP55, insulation class F. Special voltage or frequency, improved enclosure and motors with thermal protection may be supplied on request.

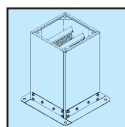
Wiring diagram, see page 236.



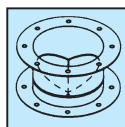
Accessories



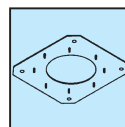
RS
page 86



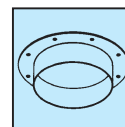
RSA
page 86



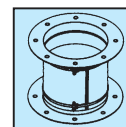
JCA
page 85



JPA
page 85



JBR
page 85

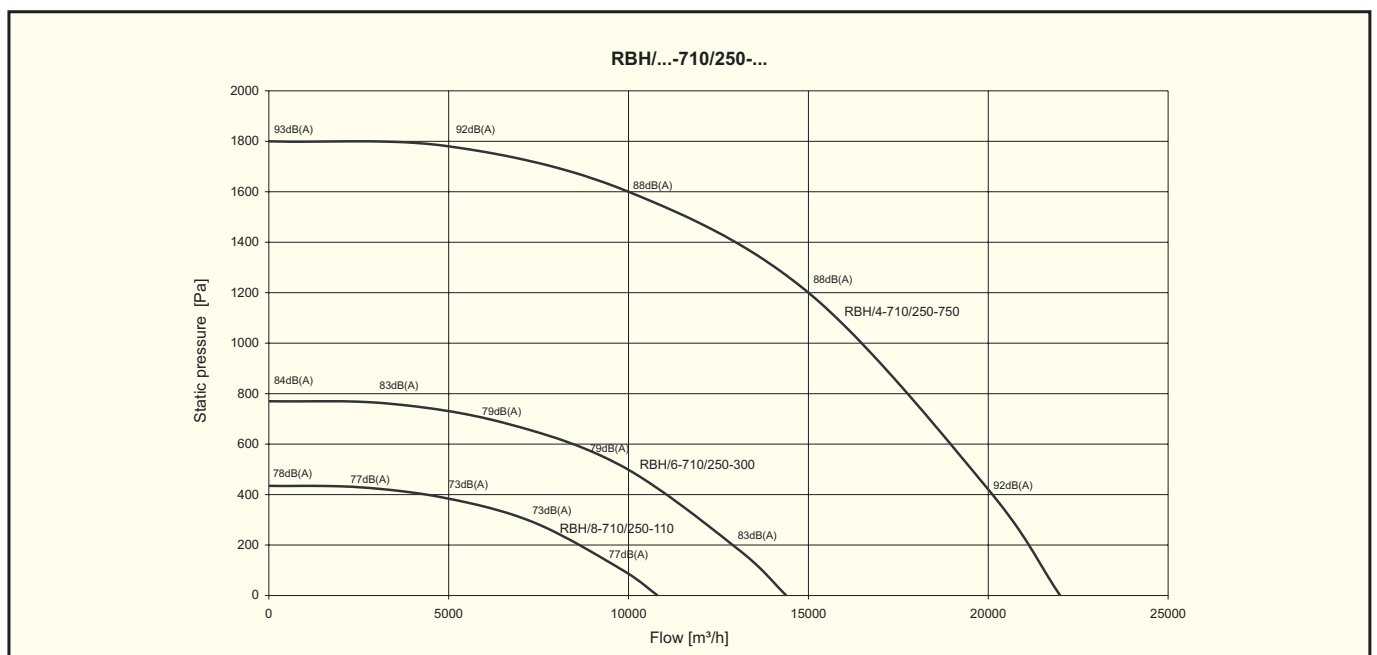
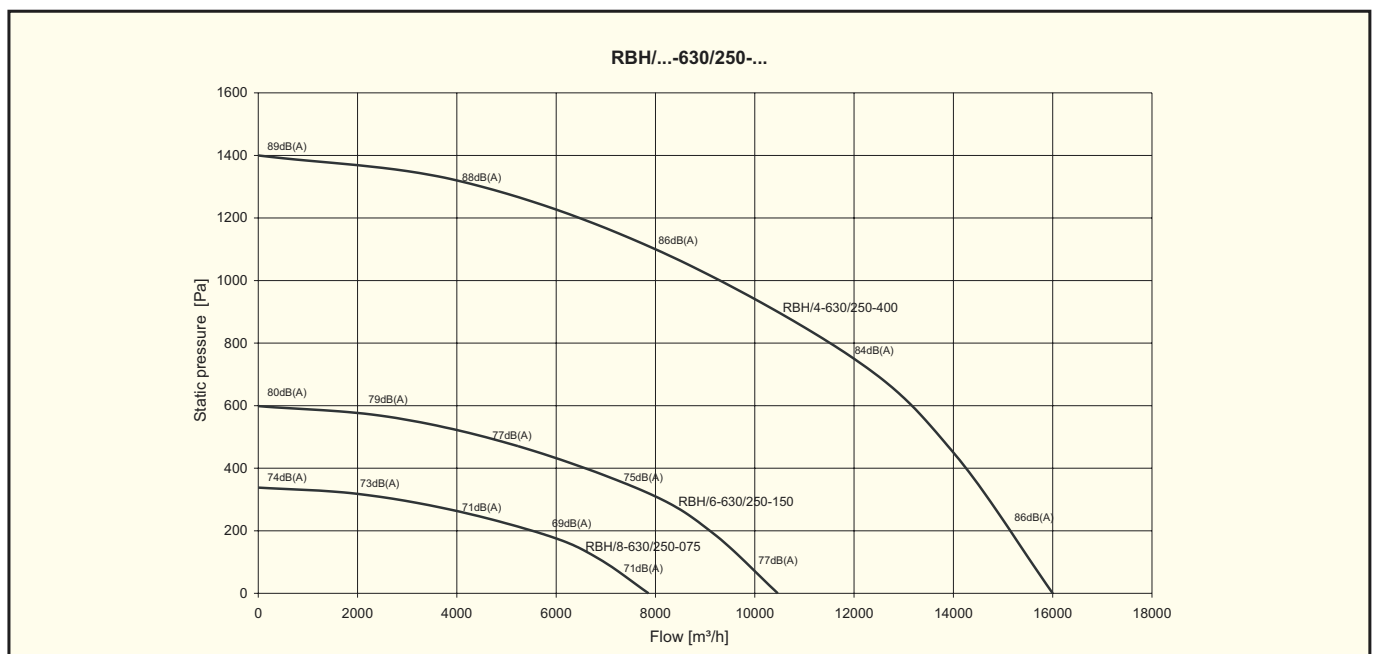


JAE
page 85

Data

| Type | Speed rpm | Motor power kW | Maximum current A | Voltage V | Maximum duty m ³ /h | Maximum pressure Pa | Weight kg | Article number |
|---------------|-----------|----------------|-------------------|-----------|--------------------------------|---------------------|-----------|----------------|
| RBH/8-630-075 | 710 | 0,75 | 2,2 | 400 | 7800 | 330 | 205 | 213 900 505 |
| RBH/6-630-150 | 945 | 1,5 | 3,8 | 400 | 10400 | 600 | 205 | 213 900 510 |
| RBH/4-630-400 | 1445 | 4,0 | 8,1 | 400 | 16000 | 1400 | 220 | 213 900 515 |
| RBH/8-710-110 | 710 | 1,1 | 3,3 | 400 | 10800 | 440 | 235 | 213 900 555 |
| RBH/6-710-300 | 960 | 3,0 | 6,9 | 400 | 14300 | 750 | 235 | 213 900 560 |
| RBH/4-710-750 | 1455 | 7,5 | 14,4 | 400 | 22000 | 1800 | 250 | 213 900 565 |

Performance curves





Products certified 400°C/2h

Construction

Roof fan for horizontal (CTHB-CTHT) or vertical (CTVB-CTVT) installation designed for continuous running in high temperatures:

- type CTVB/4-180 and CTVB/4-225 -40° to +200°C
- type CTHB/4-180 and CTHB/4-225 -40° to +200°C
- other models -40° to +120°C

Backward curved impellers manufactured in galvanized steel sheet. Base manufactured from galvanized steel sheet. Spun aluminium cowls.

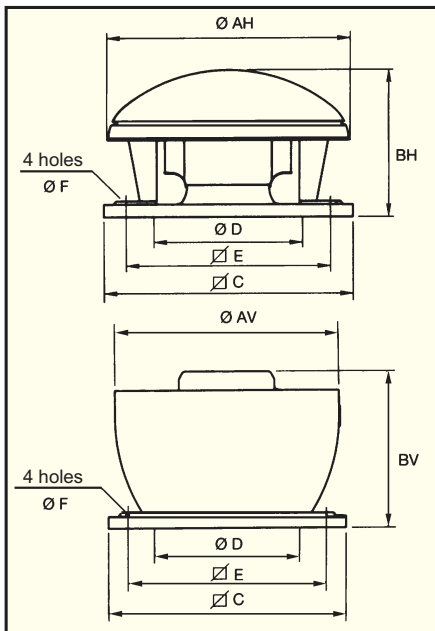
Motor

400V, 50Hz three-phase alt. 230V, 50Hz single-phase asynchronous induction motor. Enclosure IP55, insulation class F. Three-phase designs from sizes 140 to 400 are suitable for speed control. Motors for special voltage, three-phase motors for "Y" resp. "Δ" running and 2-speed motors may be supplied on request.

Wiring diagram, see page 235.

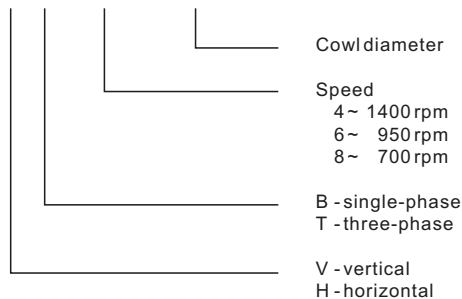
Accessories

Roof fittings, roof inlets, variable speed controls.



Model numbering system

CTVB / 4 - 140



Dimensions in mm

| Type | Ø AH | Ø AV | BH | BV | □ C | Ø D | □ E | Ø F |
|------|------|------|------|------|------|-----|-----|-----|
| 140 | 415 | 421 | 277 | 359 | 300 | 180 | 245 | 10 |
| 180 | 415 | 421 | 292 | 374 | 300 | 180 | 245 | 10 |
| 200 | 561 | 556 | 340 | 404 | 435 | 250 | 330 | 12 |
| 225 | 561 | 556 | 383 | 452 | 435 | 250 | 330 | 12 |
| 250 | 762 | 750 | 425 | 522 | 560 | 355 | 450 | 12 |
| 315 | 762 | 750 | 469 | 564 | 560 | 355 | 450 | 12 |
| 400 | 850 | 850 | 532 | 608 | 630 | 400 | 535 | 12 |
| 450 | 962 | 950 | 713 | 741 | 710 | 500 | 590 | 14 |
| 500 | 1214 | 1216 | 824 | 832 | 905 | 630 | 750 | 14 |
| 560 | 1214 | 1216 | 874 | 832 | 905 | 630 | 750 | 14 |
| 630 | 1336 | 1327 | 1029 | 1053 | 1100 | 710 | 840 | 14 |

Accessories



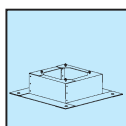
REB

page 230



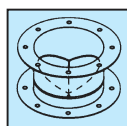
RMB

page 230



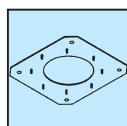
JBS

page 85

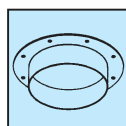


JCA

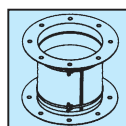
page 85



JPA



JBR



JAE

Data

| Type | Speed rpm | Maximum power absorbed W | Maximum current A | Maximum duty m³/h | Sound pressure level at 2/3 Qmax * dB(A) | | Weight kg | Article number |
|-----------------------------|--------------|-----------------------------------|-------------------------|-------------------------|--|--------|--------------|-------------------|
| | | | | | Inlet | Outlet | | |
| SINGLE-PHASE 230V | | | | | | | | |
| 4-POLE, SINGLE-PHASE | | | | | | | | |
| CTHB/4-140 | 1370 | 60 | 0,32 | 800 | 46 | 52 | 7,5 | 112 700 001 |
| CTHB/4-180 | 1330 | 50 | 0,33 | 990 | 46 | 52 | 8,0 | 112 700 011 |
| CTHB/4-200 | 1320 | 120 | 0,60 | 1450 | 49 | 55 | 14,2 | 112 700 021 |
| CTHB/4-225 | 1350 | 170 | 0,90 | 2100 | 53 | 59 | 17 | 112 700 031 |
| CTHB/4-250 | 1320 | 280 | 1,40 | 3100 | 57 | 62 | 28 | 112 700 041 |
| CTHB/4-315 | 1375 | 590 | 2,70 | 4900 | 60 | 66 | 32 | 112 700 051 |
| CTHB/4-400 | 1380 | 1100 | 5,30 | 7000 | 67 | 73 | 42,5 | 112 700 061 |
| 6-POLE, SINGLE-PHASE | | | | | | | | |
| CTHB/6-200 | 940 | 80 | 0,40 | 970 | 38 | 45 | 14,2 | 112 700 101 |
| CTHB/6-225 | 890 | 90 | 0,40 | 1400 | 42 | 48 | 17 | 112 700 111 |
| CTHB/6-250 | 940 | 100 | 0,57 | 2000 | 45 | 52 | 28 | 112 700 121 |
| CTHB/6-315 | 840 | 170 | 0,81 | 3200 | 49 | 55 | 32 | 112 700 131 |
| CTHB/6-400 | 950 | 350 | 1,60 | 4500 | 56 | 62 | 42,5 | 112 700 141 |
| THREE-PHASE 400V | | | | | | | | |
| 4-POLE, THREE-PHASE | | | | | | | | |
| CTHT/4-140 | 1375 | 60 | 0,17 | 800 | 46 | 52 | 7,5 | 112 700 201 |
| CTHT/4-180 | 1330 | 70 | 0,17 | 990 | 46 | 52 | 8,0 | 112 700 211 |
| CTHT/4-200 | 1330 | 130 | 0,35 | 1450 | 49 | 55 | 14,2 | 112 700 221 |
| CTHT/4-225 | 1360 | 170 | 0,50 | 2100 | 53 | 59 | 17 | 112 700 231 |
| CTHT/4-250 | 1400 | 300 | 0,80 | 3100 | 57 | 62 | 28 | 112 700 241 |
| CTHT/4-315 | 1410 | 620 | 1,50 | 4900 | 60 | 66 | 32 | 112 700 251 |
| CTHT/4-400 | 1350 | 920 | 1,80 | 7000 | 67 | 73 | 42,5 | 112 700 261 |
| CTHT/4-450 | 1440 | 2000 | 4,60 | 10200 | 71 | 76 | 67 | 112 700 271 |
| 6-POLE, THREE-PHASE | | | | | | | | |
| CTHT/6-200 | 940 | 80 | 0,24 | 970 | 38 | 45 | 14,2 | 112 700 301 |
| CTHT/6-225 | 900 | 90 | 0,23 | 1400 | 42 | 48 | 17 | 112 700 311 |
| CTHT/6-250 | 950 | 100 | 0,41 | 2000 | 45 | 52 | 28 | 112 700 321 |
| CTHT/6-315 | 900 | 180 | 0,50 | 3200 | 49 | 55 | 32 | 112 700 331 |
| CTHT/6-400 | 925 | 350 | 1,00 | 4500 | 56 | 62 | 42,5 | 112 700 341 |
| CTHT/6-450 | 940 | 850 | 3,50 | 6900 | 59 | 66 | 67 | 112 700 351 |
| CTHT/6-500 | 965 | 1400 | 4,30 | 10500 | 63 | 69 | 104 | 112 700 361 |
| CTHT/6-560 | 950 | 2400 | 5,30 | 16000 | 66 | 73 | 118 | 112 700 371 |
| CTHT/6-630 | 950 | 3700 | 8,30 | 21000 | 70 | 76 | 156 | 112 700 381 |
| 8-POLE, THREE-PHASE | | | | | | | | |
| CTHT/8-450 | 700 | 700 | 2,10 | 5000 | 55 | 61 | 67 | 112 700 400 |
| CTHT/8-500 | 725 | 770 | 2,40 | 7500 | 55 | 62 | 104 | 112 700 401 |
| CTHT/8-560 | 730 | 1100 | 3,60 | 11500 | 58 | 65 | 118 | 112 700 411 |
| CTHT/8-630 | 735 | 1650 | 4,90 | 15000 | 62 | 69 | 156 | 112 700 421 |
| 2-SPEED, THREE-PHASE | | | | | | | | |
| CTHT/4/8-315 | 1400/700 | 370/230 | 1,10/0,90 | 4900/2400 | 60/45 | 66/51 | 33 | |
| CTHT/4/8-400 | 1400/700 | 560/260 | 1,30/1,10 | 7000/3500 | 67/52 | 73/58 | 44 | |
| CTHT/4/8-450 | 1400/700 | 2400/600 | 6,10/2,50 | 10200/5100 | 71/55 | 76/61 | 69 | |
| CTHT/6/12-450 | 950/490 | 500/190 | 2,00/1,00 | 6900/3400 | 59/44 | 66/51 | 72 | |
| CTHT/6/12-500 | 980/490 | 1520/430 | 4,50/2,20 | 10500/5300 | 63/48 | 69/54 | 109 | |
| CTHT/6/12-630 | 960/480 | 4100/730 | 8,10/2,60 | 21000/10500 | 70/55 | 76/61 | 161 | |

* The values of sound levels are values measured dB(A) at the fan discharge side and at the maximum volume (Qmax) and two thirds maximum volume (2/3 Qmax).

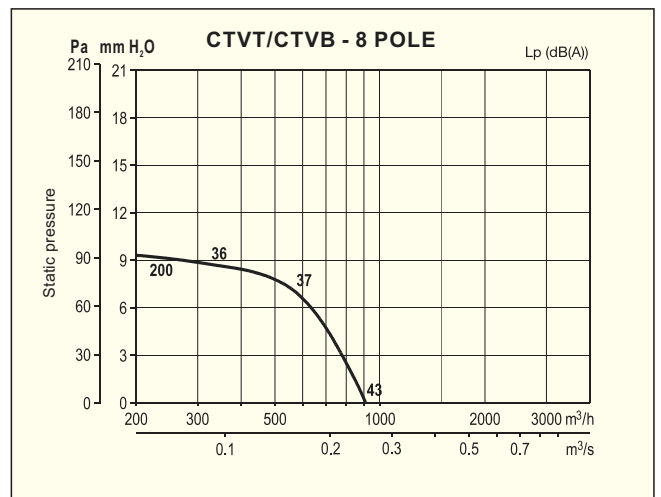
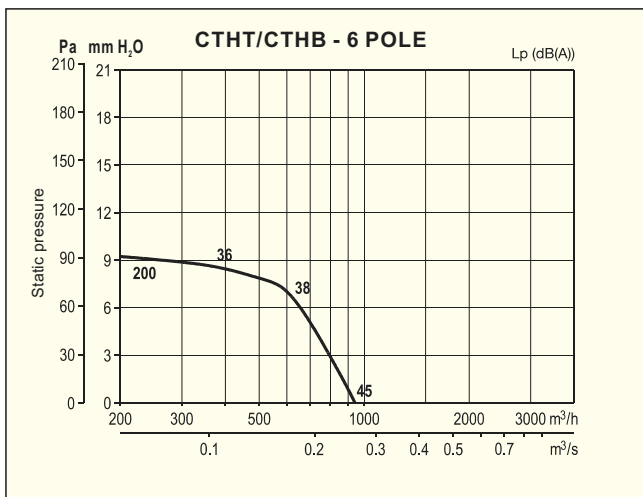
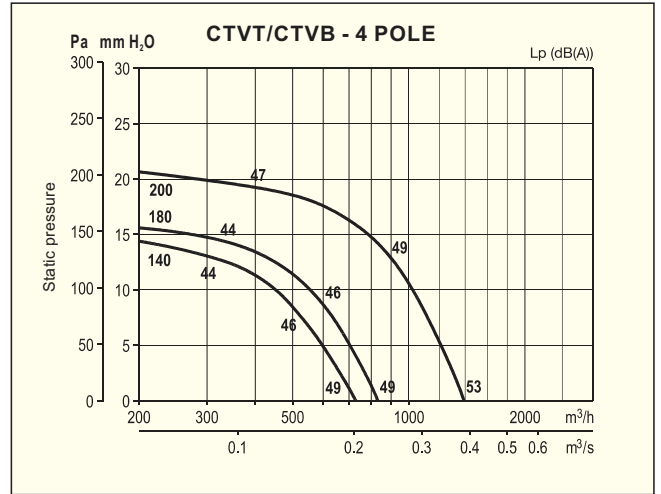
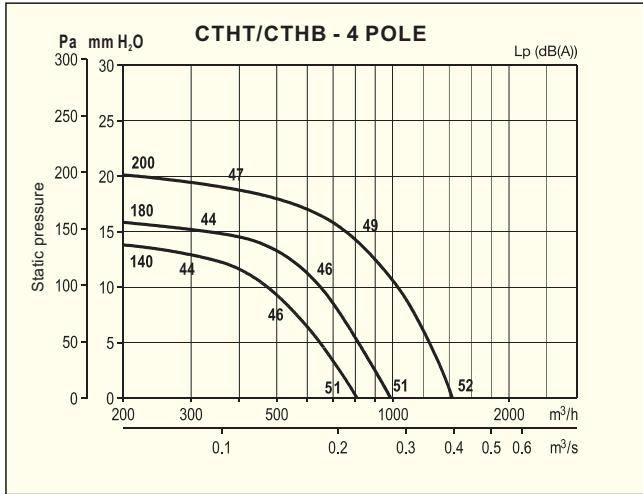
Data

| Type | Speed rpm | Maximum power absorbed W | Maximum current A | Maximum duty m³/h | Sound pressure level at 2/3 Qmax * dB(A) | | Weight kg | Article number |
|-----------------------------|--------------|-----------------------------------|-------------------------|-------------------------|--|--------|--------------|-------------------|
| | | | | | Inlet | Outlet | | |
| SINGLE-PHASE 230V | | | | | | | | |
| 4-POLE, SINGLE-PHASE | | | | | | | | |
| CTVB/4-140 | 1375 | 60 | 0,30 | 750 | 46 | 49 | 10,0 | 112 700 501 |
| CTVB/4-180 | 1330 | 60 | 0,30 | 900 | 46 | 49 | 10,5 | 112 700 511 |
| CTVB/4-200 | 1330 | 100 | 0,60 | 1350 | 49 | 53 | 17,0 | 112 700 521 |
| CTVB/4-225 | 1350 | 130 | 0,71 | 2000 | 53 | 56 | 19,8 | 112 700 531 |
| CTVB/4-250 | 1325 | 250 | 1,20 | 2950 | 56 | 60 | 35 | 112 700 541 |
| CTVB/4-315 | 1390 | 570 | 2,70 | 4700 | 60 | 64 | 39 | 112 700 551 |
| CTVB/4-400 | 1390 | 1100 | 5,30 | 6800 | 67 | 70 | 50 | 112 700 561 |
| 6-POLE, SINGLE-PHASE | | | | | | | | |
| CTVB/6-200 | 940 | 80 | 0,40 | 900 | 38 | 42 | 17,0 | 112 700 601 |
| CTVB/6-225 | 890 | 90 | 0,40 | 1300 | 41 | 45 | 19,8 | 112 700 611 |
| CTVB/6-250 | 940 | 100 | 0,57 | 1850 | 45 | 49 | 35 | 112 700 621 |
| CTVB/6-315 | 870 | 160 | 0,80 | 3000 | 48 | 53 | 39 | 112 700 631 |
| CTVB/6-400 | 960 | 340 | 1,60 | 4300 | 55 | 59 | 50 | 112 700 641 |
| THREE-PHASE 400V | | | | | | | | |
| 4-POLE, THREE-PHASE | | | | | | | | |
| CTVT/4-140 | 1400 | 60 | 0,18 | 750 | 46 | 49 | 10,0 | 112 700 701 |
| CTVT/4-180 | 1350 | 60 | 0,18 | 900 | 46 | 49 | 10,5 | 112 700 711 |
| CTVT/4-200 | 1340 | 130 | 0,44 | 1350 | 49 | 53 | 17,0 | 112 700 721 |
| CTVT/4-225 | 1360 | 180 | 0,47 | 2000 | 53 | 56 | 19,8 | 112 700 731 |
| CTVT/4-250 | 1400 | 300 | 0,80 | 2950 | 56 | 60 | 35 | 112 700 741 |
| CTVT/4-315 | 1410 | 400 | 1,40 | 4700 | 60 | 64 | 39 | 112 700 751 |
| CTVT/4-400 | 1330 | 1000 | 1,80 | 6800 | 67 | 70 | 50 | 112 700 761 |
| CTVT/4-450 | 1440 | 2100 | 4,30 | 8990 | 70 | 74 | 75 | 112 700 771 |
| 6-POLE, THREE-PHASE | | | | | | | | |
| CTVT/4-200 | 950 | 80 | 0,24 | 900 | 38 | 42 | 17,0 | 112 700 801 |
| CTVT/6-225 | 900 | 90 | 0,23 | 1300 | 41 | 45 | 19,8 | 112 700 811 |
| CTVT/6-250 | 950 | 100 | 0,41 | 1850 | 45 | 49 | 35 | 112 700 821 |
| CTVT/6-315 | 910 | 160 | 0,44 | 3000 | 48 | 53 | 39 | 112 700 831 |
| CTVT/6-400 | 930 | 350 | 1,00 | 4300 | 55 | 59 | 50 | 112 700 841 |
| CTVT/6-450 | 950 | 800 | 3,50 | 6300 | 59 | 63 | 75 | 112 700 851 |
| CTVT/6-500 | 975 | 1500 | 3,70 | 10000 | 62 | 66 | 115 | 112 700 861 |
| CTVT/6-560 | 950 | 2400 | 5,50 | 15000 | 66 | 70 | 129 | 112 700 871 |
| CTVT/6-630 | 950 | 3900 | 8,30 | 19500 | 70 | 74 | 168 | 112 700 881 |
| 8-POLE, THREE-PHASE | | | | | | | | |
| CTVT/8-450 | 690 | 700 | 1,50 | 4800 | 55 | 59 | 75 | 112 700 900 |
| CTVT/8-500 | 700 | 770 | 2,40 | 7100 | 54 | 58 | 115 | 112 700 901 |
| CTVT/8-560 | 730 | 1100 | 3,30 | 10000 | 58 | 62 | 129 | 112 700 911 |
| CTVT/8-630 | 735 | 1650 | 4,90 | 13500 | 61 | 66 | 168 | 112 700 921 |
| 2-SPEED, THREE-PHASE | | | | | | | | |
| CTVT/4/8-315 | 1400/700 | 370/320 | 1.10/0.90 | 4700/2100 | 60/45 | 64/49 | 40 | |
| CTVT/4/8-400 | 1400/700 | 560/260 | 1.30/1.10 | 6800/3300 | 67/52 | 70/55 | 52 | |
| CTVT/4/8-450 | 1400/700 | 2400/600 | 6.10/2.50 | 10000/4500 | 70/55 | 74/59 | 77 | |
| CTVT/6/12-450 | 960/490 | 500/190 | 2.00/1.00 | 6300/2800 | 59/44 | 63/48 | 80 | |
| CTVT/6/12-500 | 980/490 | 1520/340 | 4.50/2.20 | 10000/4800 | 62/47 | 66/51 | 134 | |
| CTVT/6/12-630 | 960/480 | 4100/730 | 8.10/2.60 | 19500/9500 | 70/54 | 74/59 | 173 | |

* The values of sound levels are values measured dB(A) at the fan discharge side and at the maximum volume (Qmax) and two thirds maximum volume (2/3 Qmax).

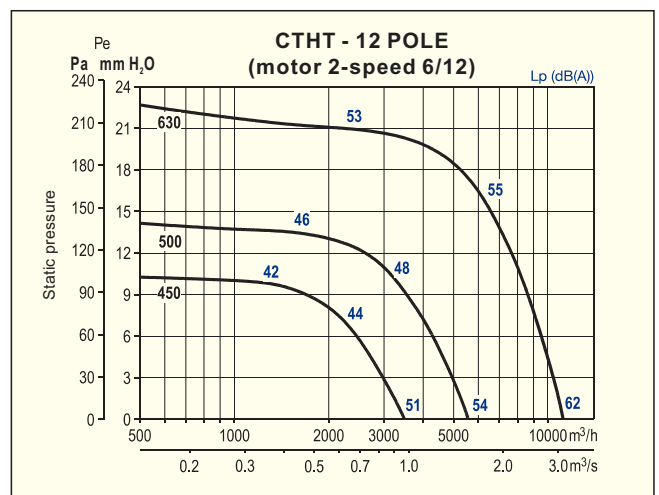
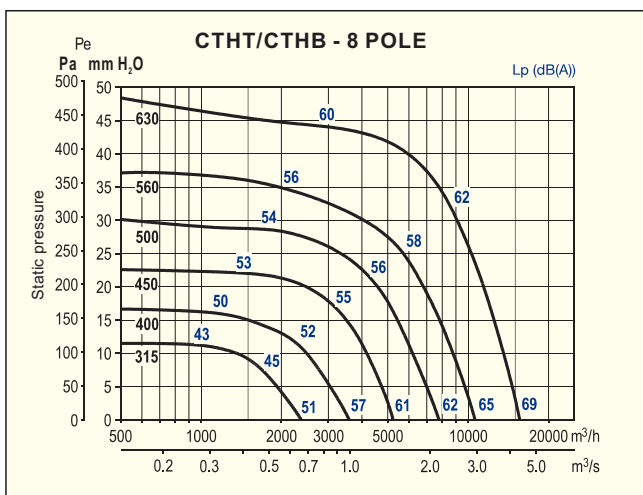
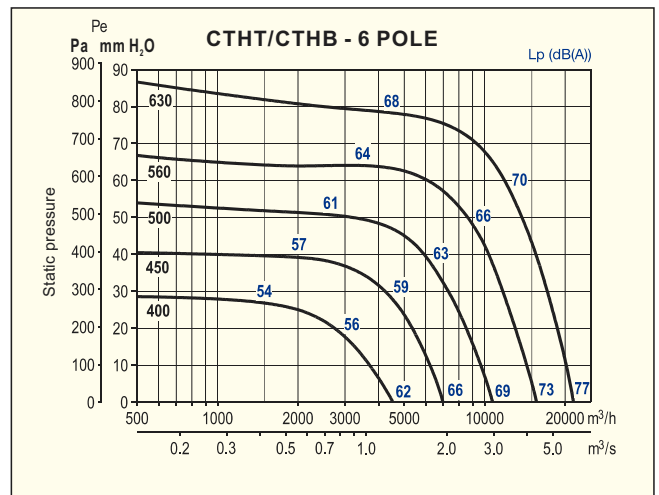
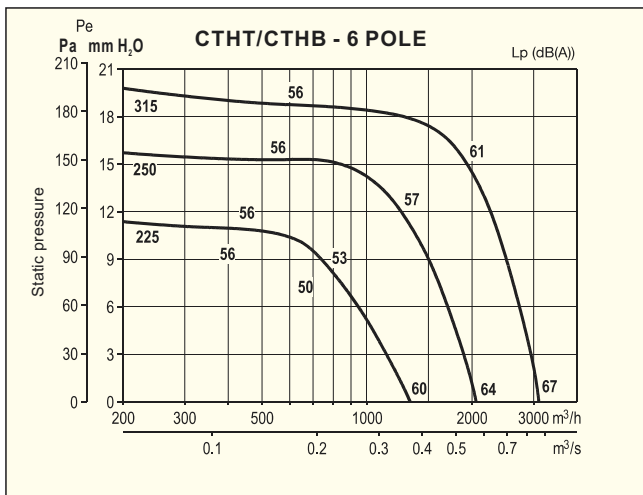
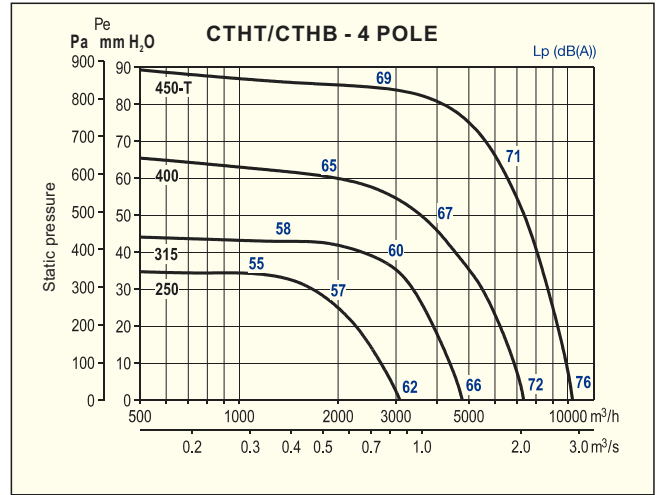
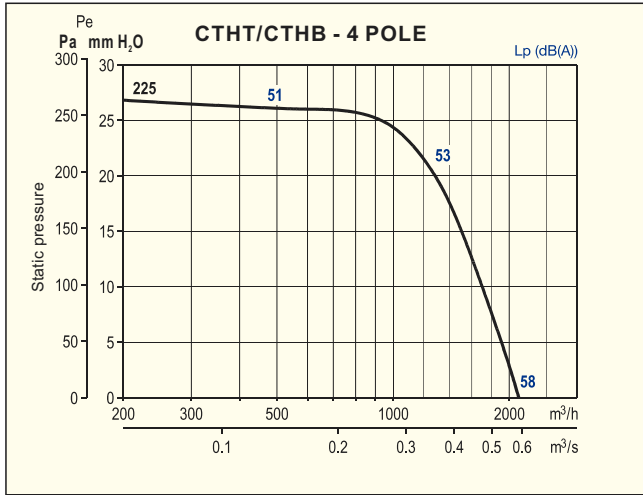
Performance curves

The values of sound are sound pressure levels measured at 1,5 m in the free field conditions, at the fan inlet side.



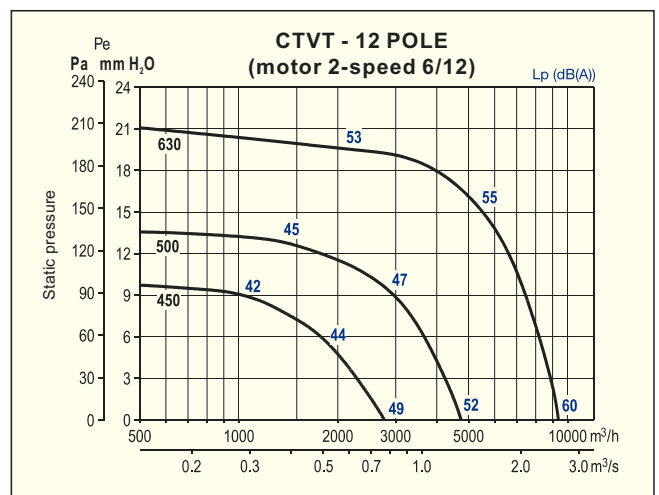
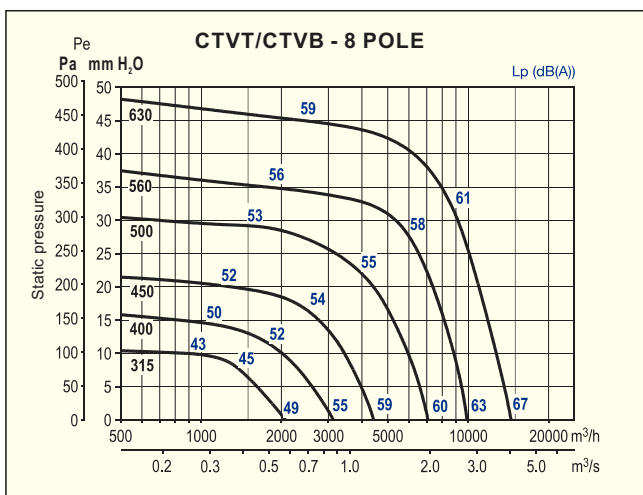
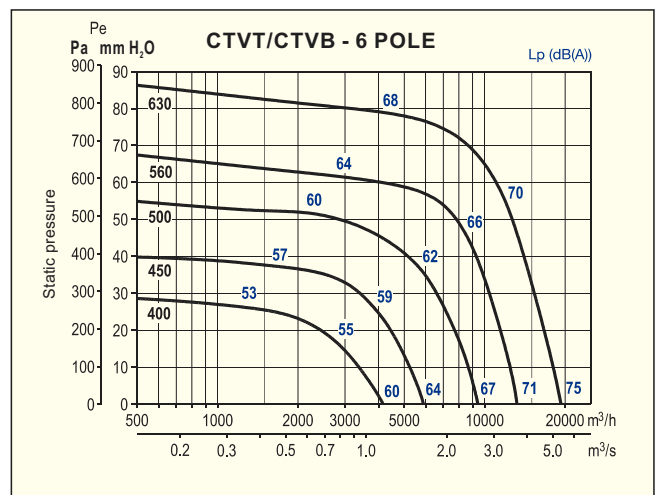
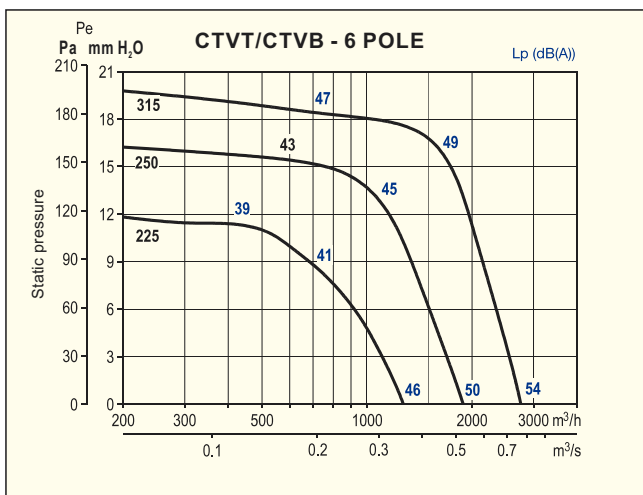
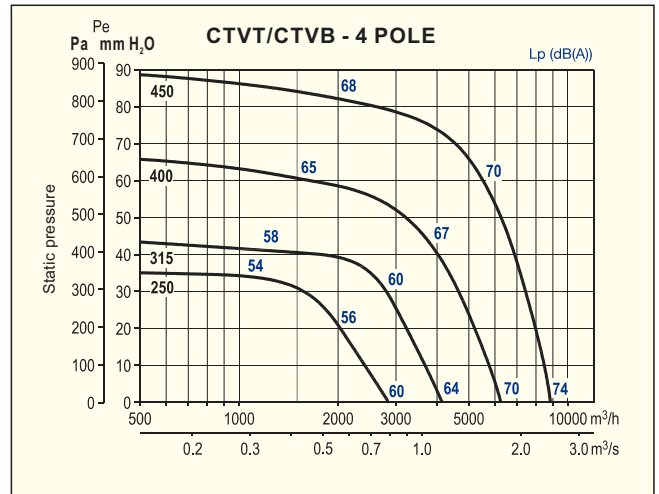
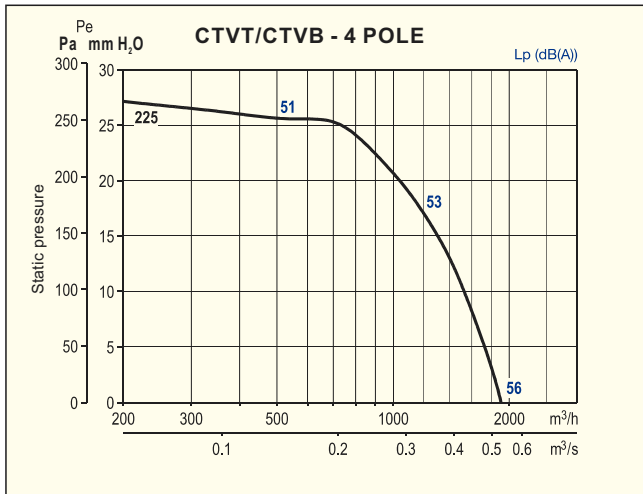
Performance curves

The values of sound are sound pressure levels measured at 1,5 m in the free field conditions, at the fan inlet side.

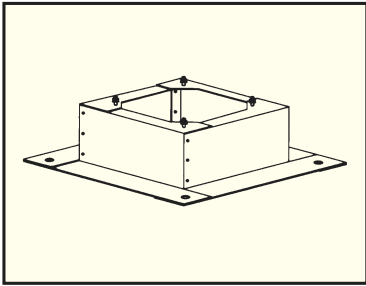


Performance curves

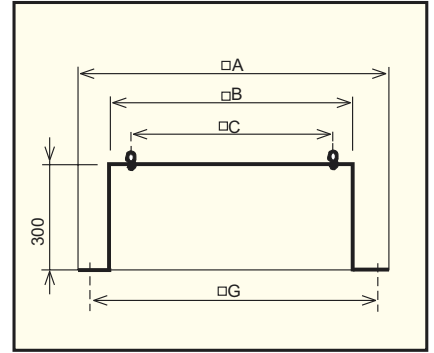
The values of sound are sound pressure levels measured at 1,5 m in the free field conditions, at the fan inlet side.



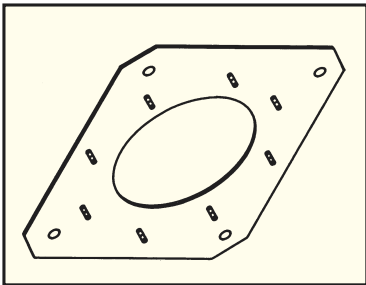
Flat roof upstands JBS



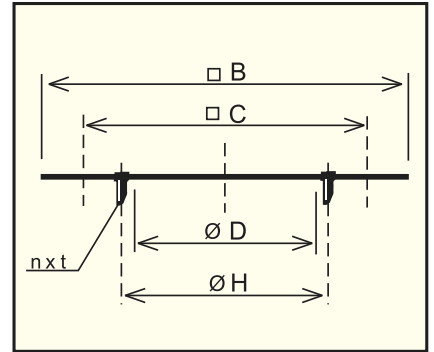
| Type | Type JBS | □A | □B | □C | □G |
|------------|----------|------|------|-----|------|
| 140 180 | 300 | 470 | 289 | 245 | 380 |
| 200 225 | 435 | 600 | 419 | 330 | 510 |
| 250 315 | 560 | 725 | 544 | 450 | 635 |
| 400 | 630 | 795 | 614 | 535 | 705 |
| 450 | 710 | 875 | 694 | 590 | 785 |
| 500 560 | 905 | 1065 | 884 | 750 | 975 |
| 630 | 1100 | 1260 | 1079 | 840 | 1170 |



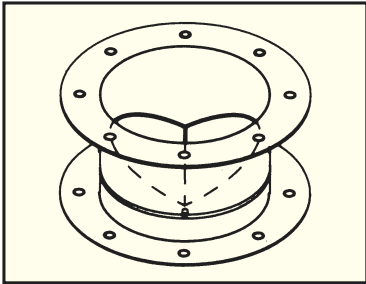
Adapter plate JPA



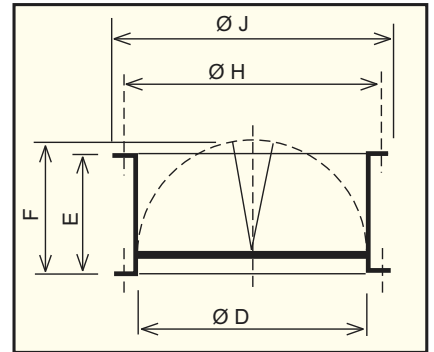
| Type | Type JPA | □B | □C | ∅D | nxt | ∅H |
|------------|----------|------|-----|-----|--------|-----|
| 140 180 | 300 | 289 | 245 | 182 | 4xM6 | 205 |
| 200 225 | 435 | 419 | 330 | 252 | 4xM8 | 280 |
| 250 315 | 560 | 544 | 450 | 358 | 8xM8 | 395 |
| 400 | 630 | 614 | 535 | 403 | 8xM10 | 450 |
| 450 | 710 | 694 | 590 | 503 | 12xM10 | 560 |
| 500 560 | 905 | 884 | 750 | 633 | 12xM10 | 690 |
| 630 | 1100 | 1079 | 840 | 713 | 16xM10 | 770 |



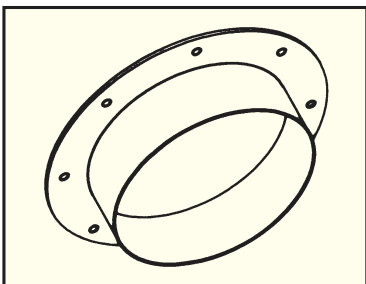
Back-draught shutter JCA



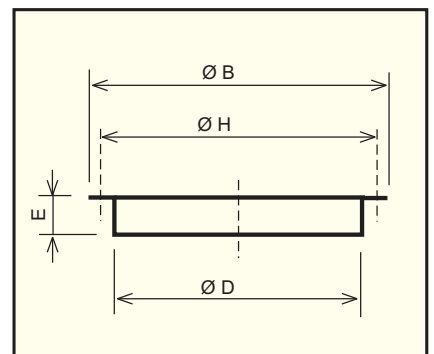
| Type | Type JCA | ∅D | E | F | ∅H | ∅J |
|------------|----------|-----|-----|-----|-----|-----|
| 140 180 | 300 | 182 | 100 | 124 | 205 | 219 |
| 200 225 | 435 | 252 | 145 | 174 | 280 | 300 |
| 250 315 | 560 | 358 | 210 | 227 | 395 | 415 |
| 400 | 630 | 403 | 240 | 250 | 450 | 474 |
| 450 | 710 | 503 | 285 | 300 | 560 | 581 |
| 500 560 | 905 | 633 | 345 | 365 | 690 | 714 |
| 630 | 1100 | 713 | 295 | 390 | 770 | 794 |



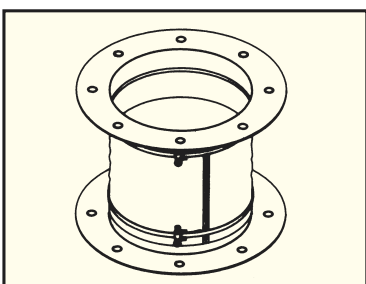
Flange JBR



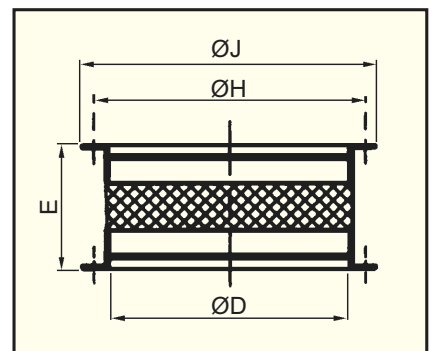
| Type | Type JBR | ∅D | E | ∅H | ∅J |
|------------|----------|-----|----|-----|-----|
| 140 180 | 300 | 182 | 55 | 205 | 219 |
| 200 225 | 435 | 252 | 55 | 280 | 300 |
| 250 315 | 560 | 358 | 55 | 395 | 415 |
| 400 | 630 | 403 | 63 | 450 | 474 |
| 450 | 710 | 503 | 69 | 560 | 581 |
| 500 560 | 905 | 633 | 69 | 690 | 714 |
| 630 | 1100 | 713 | 69 | 770 | 797 |

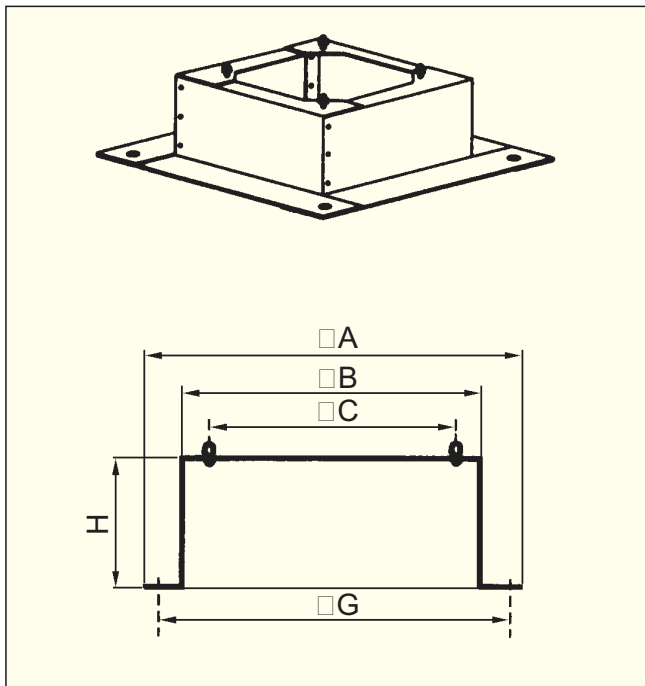


Flexible coupling JAE



| Type | Type JAE | ∅D | E | ∅H | ∅J |
|------------|----------|-----|-----|-----|-----|
| 140 180 | 300 | 182 | 254 | 205 | 219 |
| 200 225 | 435 | 252 | 254 | 280 | 300 |
| 250 315 | 560 | 358 | 254 | 395 | 415 |
| 400 | 630 | 403 | 254 | 450 | 474 |
| 450 | 710 | 503 | 254 | 560 | 581 |
| 500 560 | 905 | 633 | 254 | 690 | 714 |
| 630 | 1100 | 713 | 254 | 770 | 794 |

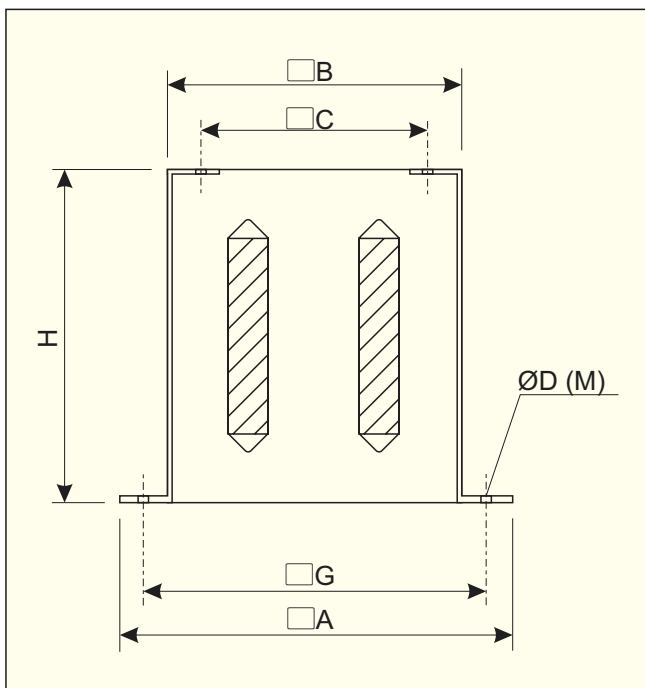




Flat roof Up-Stand RS:

- for flat roofs
- internal condensation protected

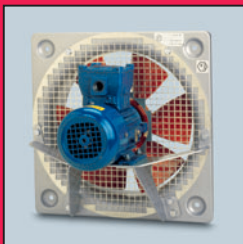
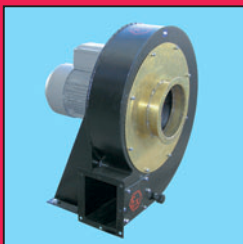
| Type RS | Fan type | | | □A | □B | □C | □G | H |
|---------|---------------|----------|----------|------|------|-----|------|-----|
| | RF | TH | CTV/CTH | | | | | |
| 300 | 125, 160, 200 | 500, 800 | 140, 180 | 470 | 298 | 245 | 380 | 300 |
| 435 | 250, 315 | 1300 | 200, 225 | 600 | 419 | 330 | 510 | 300 |
| 560 | 355 | 2000 | 250, 315 | 725 | 544 | 450 | 635 | 300 |
| 630 | | | 400 | 795 | 614 | 535 | 705 | 300 |
| 710 | | | 450 | 875 | 694 | 590 | 785 | 300 |
| 905 | | | 500, 560 | 1065 | 884 | 750 | 975 | 300 |
| 1100 | | | 630 | 1260 | 1079 | 840 | 1170 | 400 |



Acoustic Up-Stand RSA:

- sound reducing
- for flat roofs

| Type RSA | □A | □B | □C | ØD(M) | H | □G | Number of sound absorbers |
|----------|------|------|-----|---------|------|------|---------------------------|
| 300 | 470 | 290 | 245 | 13(M10) | 500 | 380 | 1 |
| 435 | 600 | 419 | 330 | 15(M12) | 500 | 510 | 2 |
| 560 | 725 | 545 | 450 | 15(M12) | 750 | 635 | 2 |
| 630 | 795 | 615 | 535 | 15(M12) | 750 | 705 | 3 |
| 710 | 875 | 695 | 590 | 18(M14) | 1000 | 785 | 3 |
| 905 | 1065 | 885 | 750 | 18(M14) | 1000 | 975 | 3 |
| 1100 | 1260 | 1080 | 840 | 18(M14) | 1000 | 1170 | 3 |



| | |
|-----------------------|-----------|
| EGM | 88 |
| COMPACT „ATEX” | 90 |
| HDT | 93 |



In-Line Fans

Axial-flow Fans Wall Versions

Axial-flow Fans Cased Versions

Roof Fans

Fans “ATEX”

Centrifugal Fans VISP/VASP

Centrifugal Fans

Side Channel Blowers

Chip Extractors

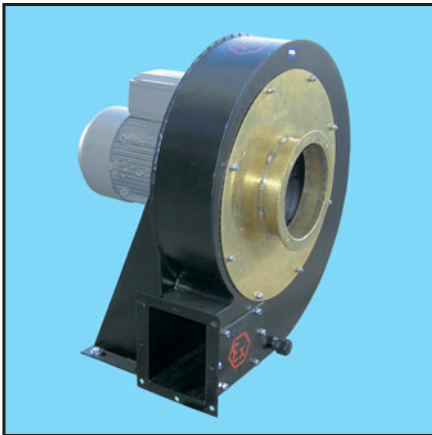
Domestic Fans

Accessories

Electric Diagrams

General Information

Index



Construction

Directdriven centrifugal fans type EGM are produced according to ISO9001. The fans are constructed for group II category 2G zone 1 and/or zone 2 also category 2D zone 21 and/or zone 22. The fans have CE marking and corresponds to ATEX/94/9/EC.

Rating:

II 2G EExe II T3

or

II 2D DIP T125°C

Fans type EGM for category 2G have self cleaning impeller made of powder coated aluminum sheet. Fans type EGM for category 2D have self cleaning impeller made of powder coated steel sheet. The impellers are dynamically balanced according to ISO 1940. The casing is made of powder coated sheet steel.

Fans type EGM are adapted for air transportation for temperature -20° to +80°C. The motor ambivalent temperature -20°C to 40°C.

The fans are equipped with vibration isolators, inspection hatch and drainage.

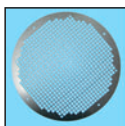
Motor

The fans are equipped with 230/400V or 400V, 50Hz three-phase motors adapted according to the classifications.

Accessories



Diffusor

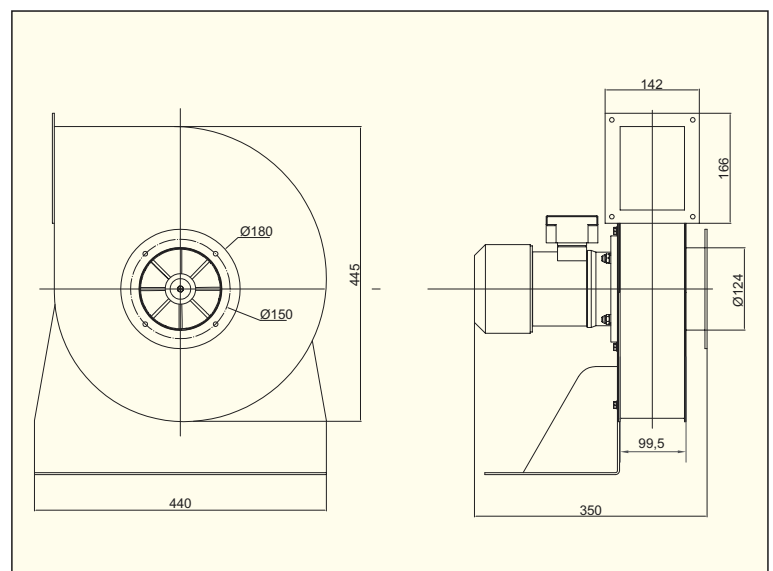
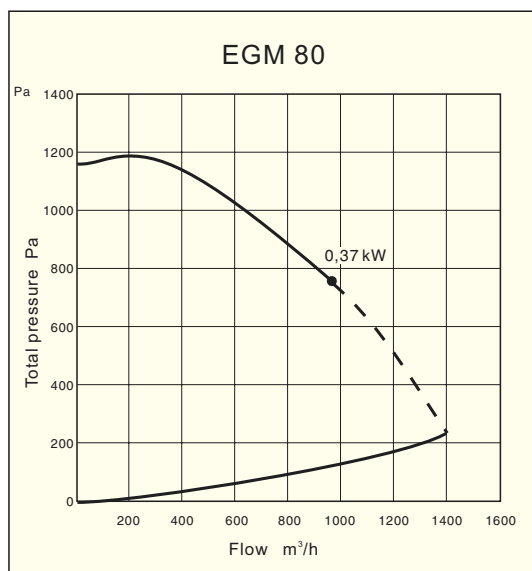


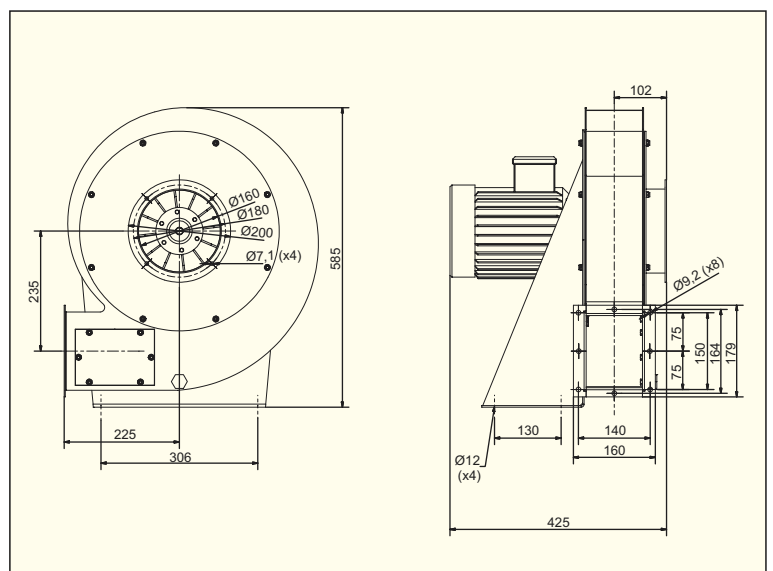
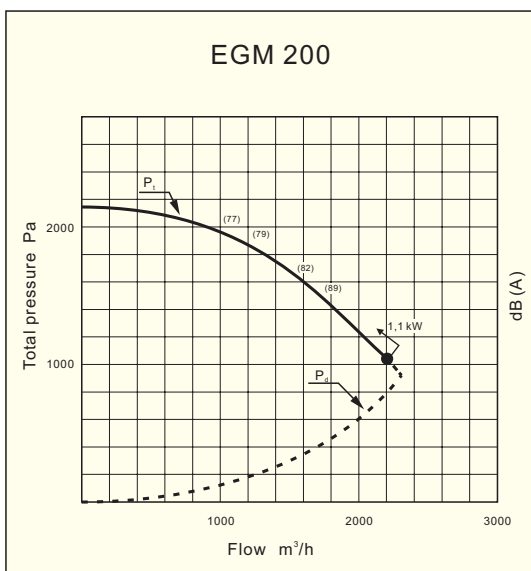
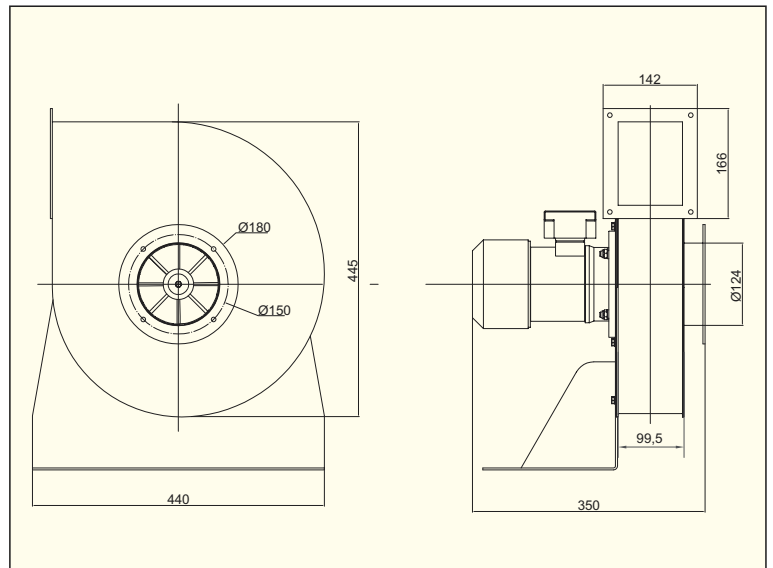
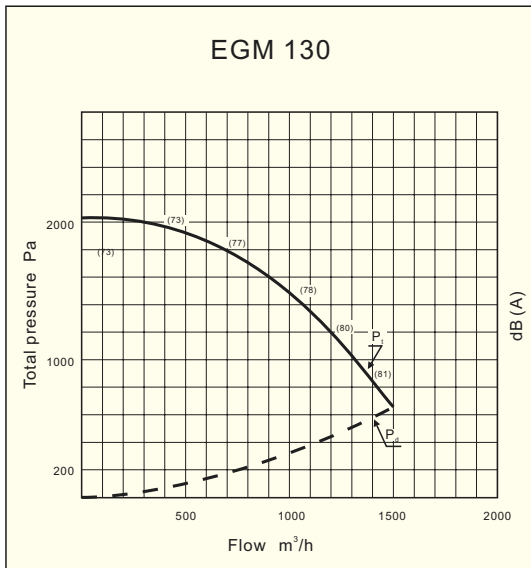
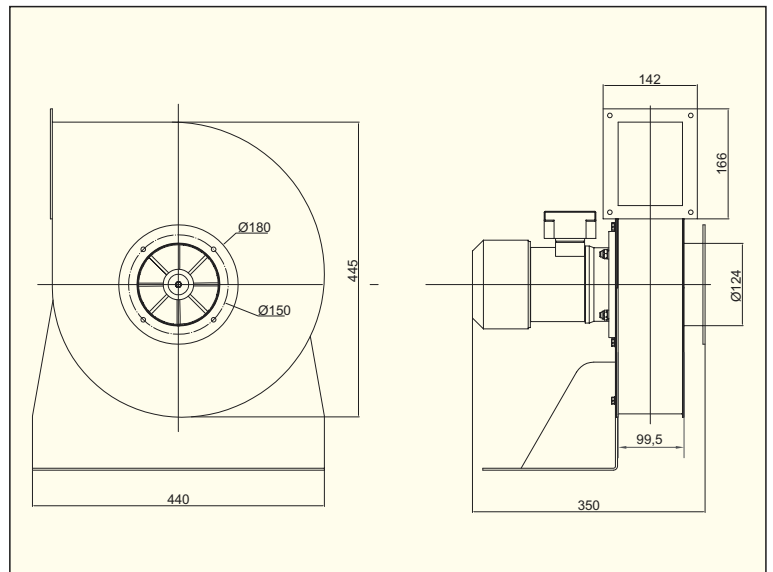
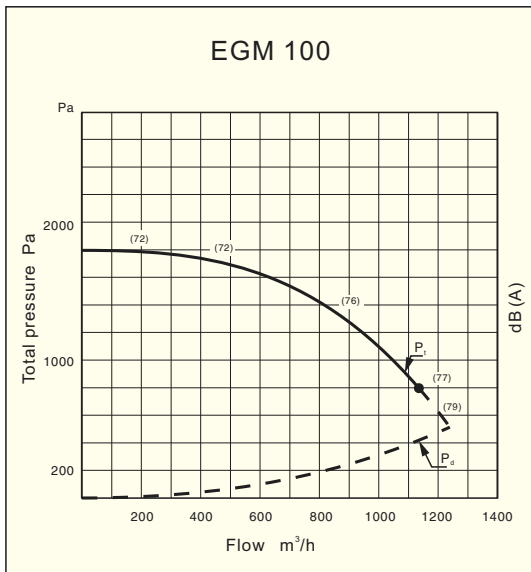
Protection net

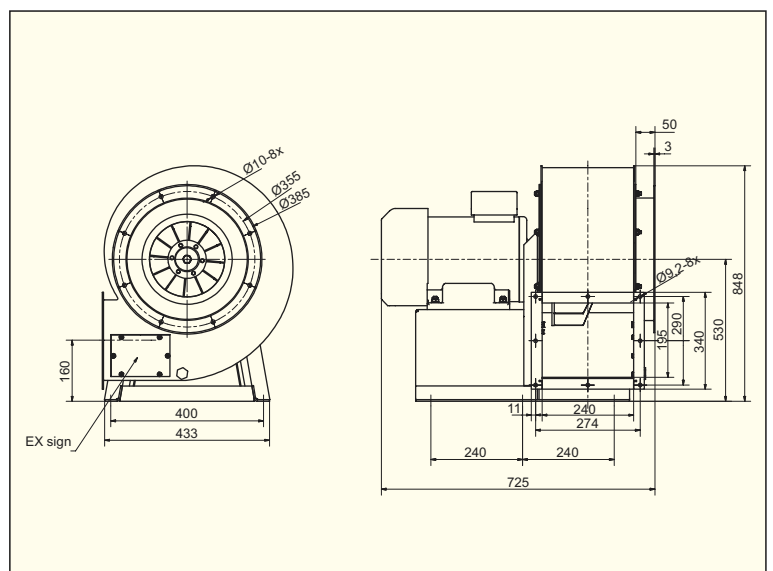
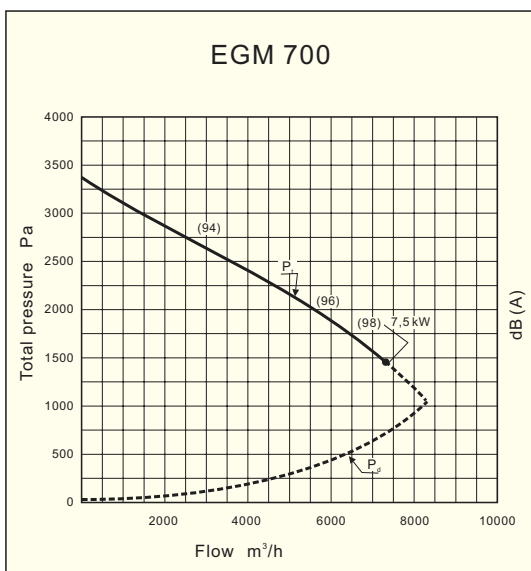
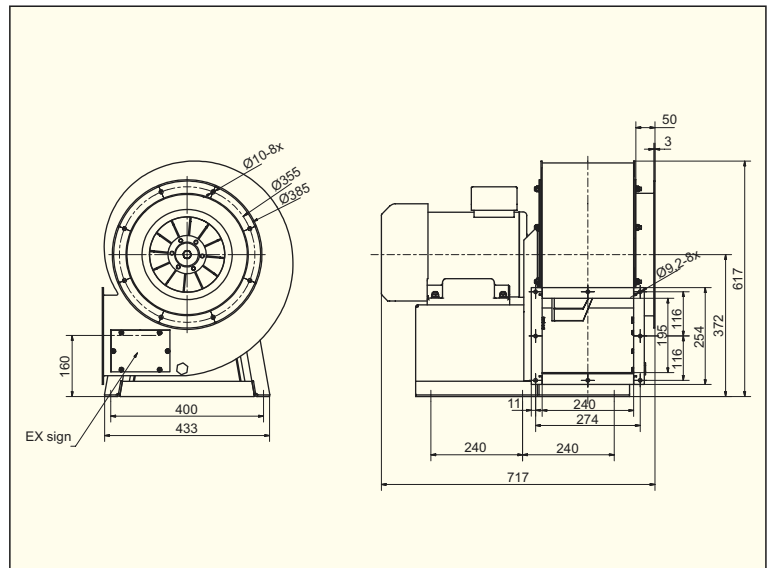
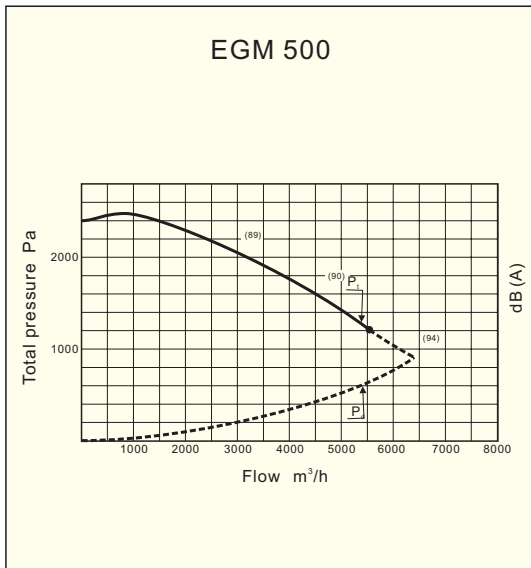
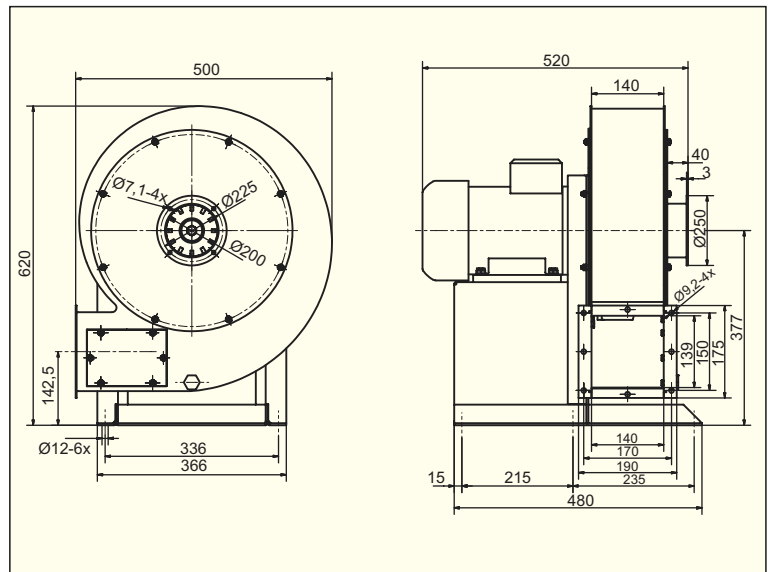
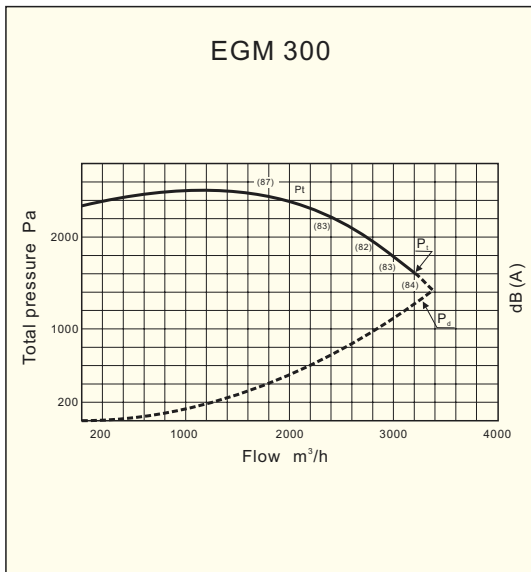
Data

| Type | ATEX | Voltage V Frequency Hz | Speed rpm | Motor power kW | Maximum current A | Maximum duty m³/h | Maximum pressure Pa | Weight kg | Sound level dB(A)* | Article number |
|---------|---------------------|---------------------------|-----------|----------------|-------------------|-------------------|---------------------|-----------|--------------------|----------------|
| EGM 80 | 2 GEEExe II T3 ATEX | 230/400V,50Hz | 2720 | 0,55 | 1,40 | 1100 | 1200 | 21 | 58 | 213260200 |
| | 2 D DIP T125 ATEX | | 2800 | | 1,36 | | | | | 213260400 |
| EGM 100 | 2 GEEExe II T3 ATEX | 230/400V,50Hz | 2760 | 0,75 | 1,80 | 1300 | 1800 | 22 | 76 | 213260210 |
| | 2 D DIP T125 ATEX | | 2855 | | 1,73 | | | | | 213260410 |
| EGM 130 | 2 GEEExe II T3 ATEX | 230/400V,50Hz | 2780 | 1,10 | 2,40 | 1500 | 2000 | 29 | 77 | 213260220 |
| | 2 D DIP T125 ATEX | | 2845 | | 2,40 | | | | | 213260420 |
| EGM 200 | 2 GEEExe II T3 ATEX | 230/400V,50Hz | 2850 | 1,50 | 3,50 | 2200 | 2150 | 37 | 79 | 213260230 |
| | 2 D DIP T125 ATEX | | 2860 | | 3,25 | | | | | 213260430 |
| EGM 300 | 2 GEEExe II T3 ATEX | 400V, 50Hz | 2905 | 2,40 | 4,80 | 3400 | 2400 | 53 | 83 | 213260240 |
| | 2 D DIP T125 ATEX | | 2890 | 3,00 | 6,10 | | | | | 213260440 |
| EGM 500 | 2 GEEExe II T3 ATEX | 400V, 50Hz | 2915 | 5,50 | 10,40 | 6500 | 2450 | 81 | 89 | 213260250 |
| | 2 D DIP T125 ATEX | | 2925 | | 10,30 | | | | | 213260450 |
| EGM 700 | 2 GEEExe II T3 ATEX | 400V, 50Hz | 2920 | 7,50 | 12,70 | 8200 | 3400 | 132 | 94 | 213260260 |
| | 2 D DIP T125 ATEX | | 2930 | | 13,80 | | | | | 213260460 |

Performance curves

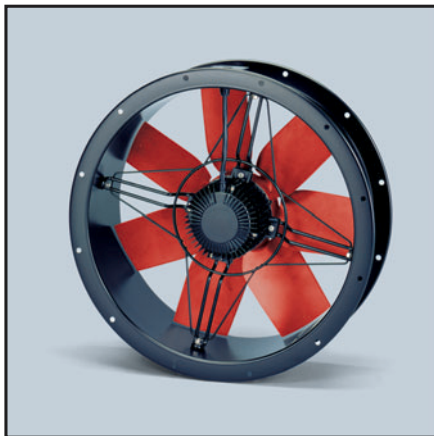








HCBT



TCBT

Axial-flow fan Compact type HCBT and TCBT with fan blades in cast aluminium may be supplied in the version meeting the requirements of DIRECTIVE 94/9/EU „ATEX’ for explosion proof equipment:

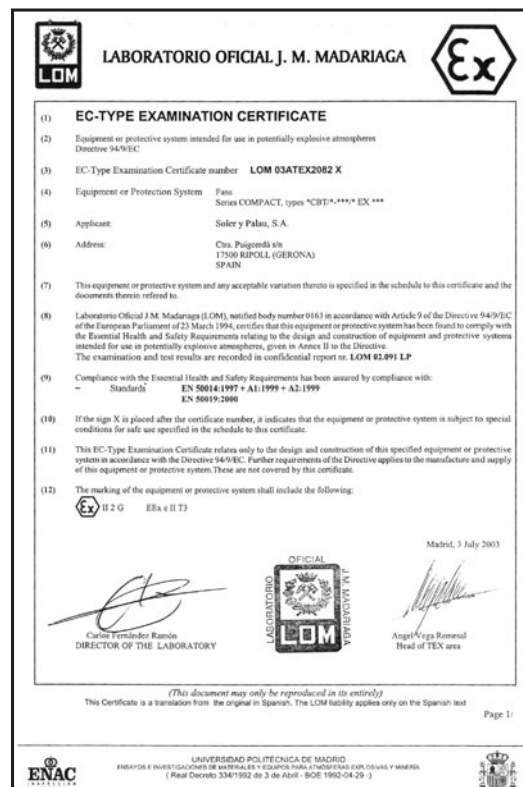
Increased safety **II2G EExe II T3**

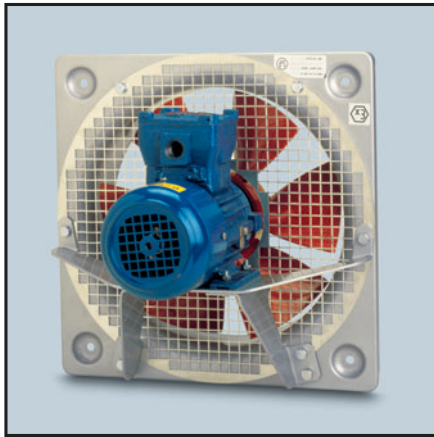
Fan type: HCBT, TCBT
 Fan size: 315 - 1000 mm
 Version: 4,6 and 8 poles
 Motor: 230/400V 50Hz asynchronous motor, enclosure IP55, insulation class F
 Working temperature: -30°C +40°C
 Technical specification: see page 24-32 (HCBT) and page 36-43 (TCBT)

Flameproof enclosures **II2G EExd II BT5 or EExd II CT4**

Fan type: HCBT/...-800/ and /...-1000/
 TCBT/4-710/ and TCBT/4-800/
 TCBT/6-800/, TCBT/8-800/
 Motor: 230/400V 50Hz asynchronous motor, enclosure IP55, insulation class F
 Working temperature: -30°C +40°C
 Technical specification: see page 24-32 (HCBT) and page 36-43 (TCBT)

LOM 03ATEX2082 X





Construction

Axial-flow fan in explosion proof design, can be mounted in various directions. Impellers, wall plate and motor bracket in die-cast aluminium.

- HDB - II2G EExdIIBT4 or II2G EExdIICT4
- HDT - II2G EExdIIBT5 or II2G EExdIICT4

Motor

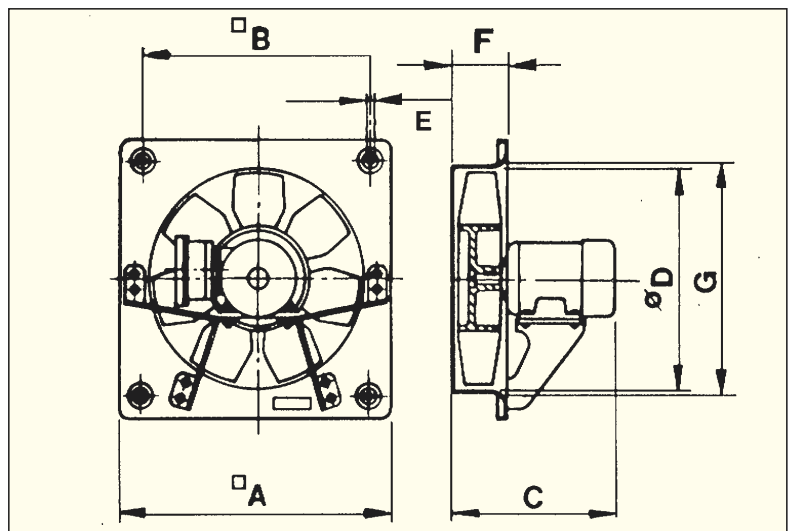
230/400V, 50Hz three-phase or 230V, 50Hz single-phase asynchronous motor in flameproof design. Insulation class F, enclosure IP55.

Data

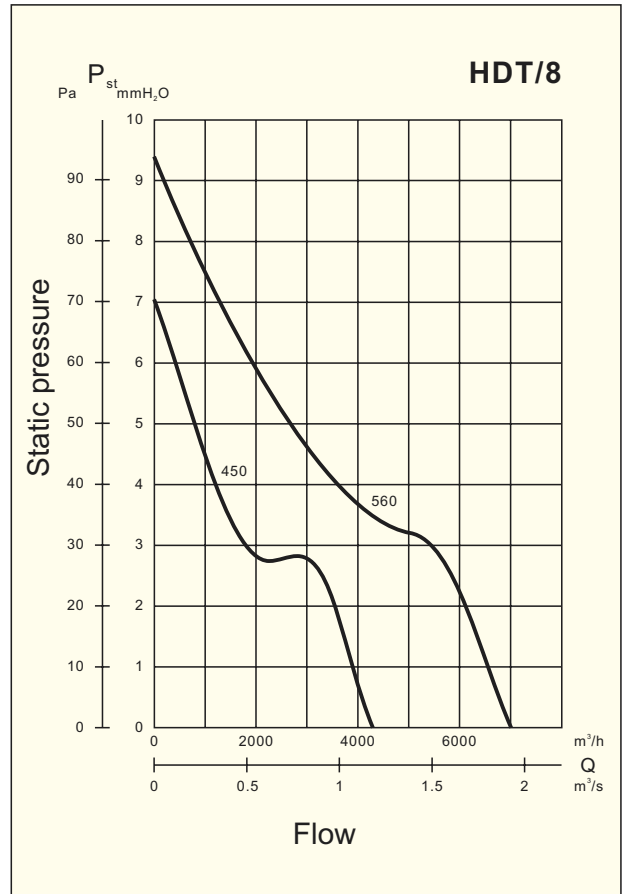
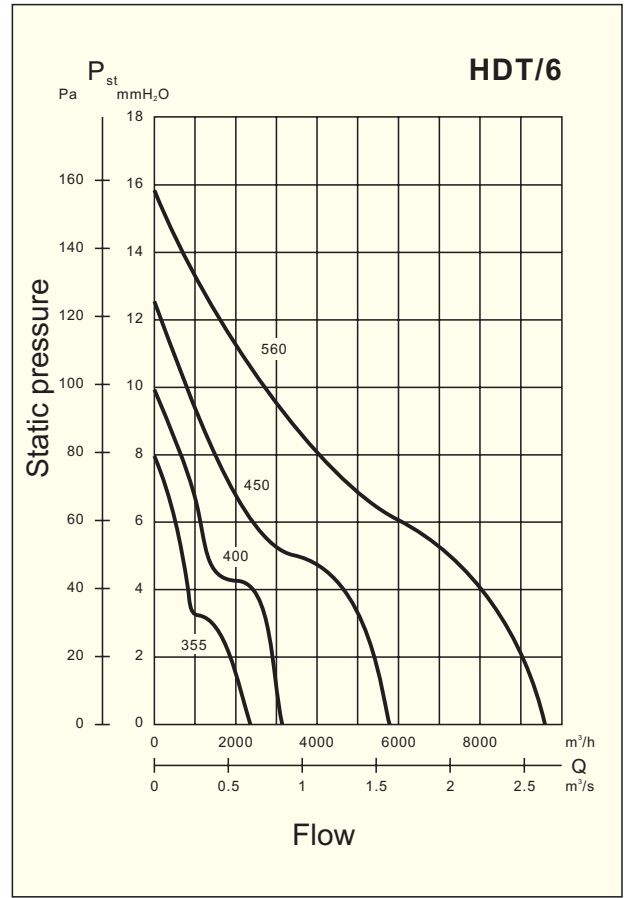
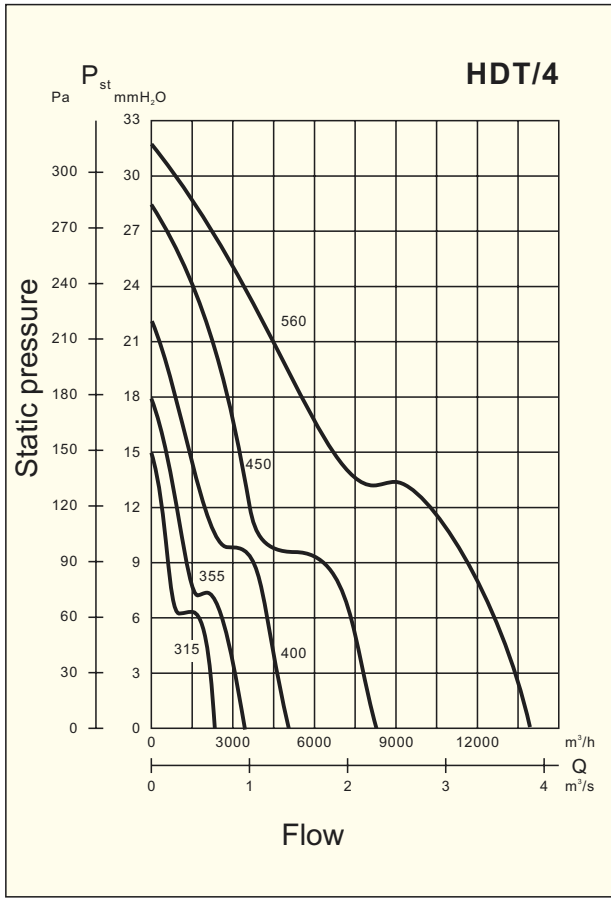
| Type | Speed rpm | Motor power kW | Maximum current | | Maximum duty m³/h | Sound pressure level dB (A) | Weight kg | Article number |
|-----------|--------------|----------------------|-----------------|-------|-------------------------|--------------------------------------|--------------|-------------------|
| | | | A | | | | | |
| | | | 230 V | 400 V | | | | |
| HDB/4-315 | 1 300 | 0,12 | 0,9 | - | 2 240 | 56 | 11 | 112 440 211 |
| HDB/4-355 | 1 310 | 0,18 | 1,14 | - | 3 120 | 60 | 12 | 112 440 221 |
| HDB/6-355 | 920 | 0,12 | 1,02 | - | 2 100 | 52 | 12 | 112 440 231 |
| HDT/4-315 | 1 330 | 0,12 | 0,90 | 0,52 | 2 240 | 56 | 9,5 | 112 440 011 |
| HDT/4-355 | 1 340 | 0,18 | 1,14 | 0,66 | 3 120 | 60 | 11 | 112 440 021 |
| HDT/6-355 | 950 | 0,12 | 1,02 | 0,59 | 2 100 | 52 | 11 | 112 440 031 |
| HDT/4-400 | 1 370 | 0,37 | 1,90 | 1,10 | 4 780 | 65 | 15 | 112 440 035 |
| HDT/6-400 | 900 | 0,15 | 1,13 | 0,65 | 3 140 | 56 | 15 | 112 440 037 |
| HDT/4-450 | 1 380 | 0,55 | 2,60 | 1,50 | 8 000 | 66 | 20 | 112 440 041 |
| HDT/6-450 | 900 | 0,25 | 1,73 | 1,00 | 5 300 | 58 | 16 | 112 440 051 |
| HDT/8-450 | 670 | 1,11 | 1,07 | 0,62 | 4 100 | 52 | 16 | 112 440 061 |
| HDT/4-560 | 1 390 | 1,00 | 5,02 | 2,90 | 13 700 | 73 | 29 | 112 440 071 |
| HDT/6-560 | 920 | 0,75 | 3,11 | 1,80 | 9 300 | 65 | 29 | 112 440 081 |
| HDT/8-560 | 680 | 0,26 | 1,77 | 1,02 | 7 250 | 59 | 20 | 112 440 091 |

Dimensions in mm

| Type | A | B | C | | | DØ | EØ | F | GØ |
|---------|-----|-----|-----|-----|-----|-----|----|-----|-----|
| | | | /4 | /6 | /8 | | | | |
| HDT-315 | 400 | 330 | 323 | - | - | 315 | 10 | 85 | 239 |
| HDT-355 | 450 | 380 | 325 | 325 | - | 355 | 10 | 87 | 371 |
| HDT-400 | 500 | 420 | 336 | 336 | - | 400 | 10 | 90 | 422 |
| HDT-450 | 560 | 480 | 360 | 349 | 349 | 450 | 10 | 106 | 476 |
| HDT-560 | 710 | 630 | 435 | 435 | 368 | 560 | 10 | 112 | 596 |



Performance curves





| | |
|--------------------|------------|
| VISP | 96 |
| VASP | 100 |
| Accessories | 104 |

In-Line Fans

Axial-flow Fans Wall Versions

Axial-flow Fans Cased Versions

Roof Fans

Fans "ATEX"

Centrifugal Fans VISP/VASP

Centrifugal Fans

Side Channel Blowers

Chip Extractors

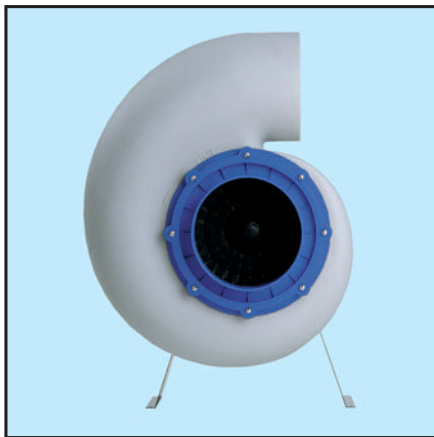
Domestic Fans

Accessories

Electric Diagrams

General Information

Index



Construction

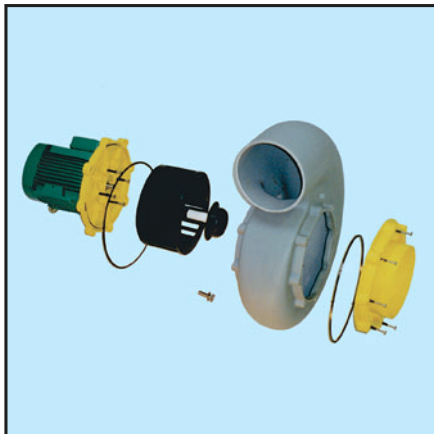
Single inlet, direct driven centrifugal fan. Suitable for operation in corrosive applications including plating, fume handling, lab hood exhaust, etc. Casing made of single block strong high density UV treated and recyclable polypropylene (PPH) with no welded joint. Forward curved centrifugal type impeller made of injection molded PPH. Fan wheel supplied with motor shaft bushing and hub cap constructed of PPH. Wheels electronically and dynamically balanced to ISO1940. PPH casing and wheel recommended up to 80°C.

Motor

Direct drive, asynchronous, single or three phase, IP55. Single speed: three phase 120/400 V - 50/60 Hz, single phase 230 V - 50 Hz.

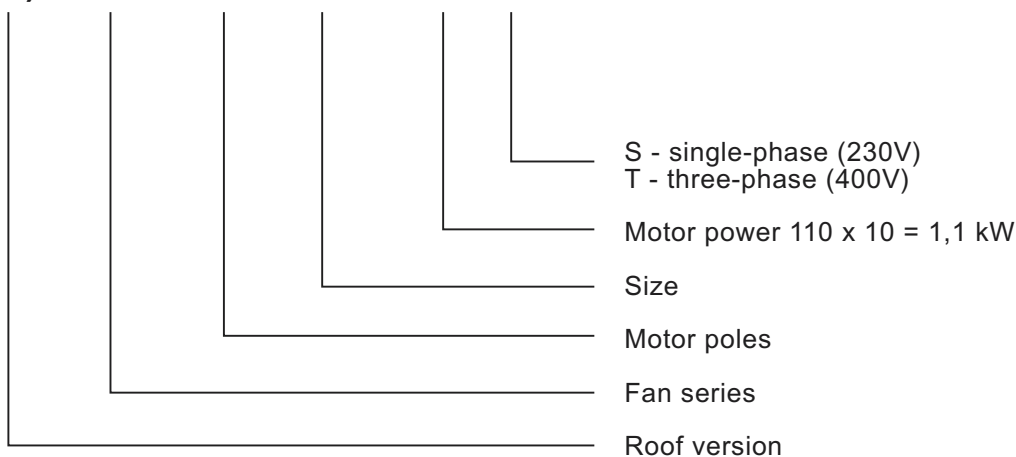
Explosion-proof motors available on request.

VISP series fans are also available in ATEX 3G execution in accordance with 94/9/EC ATEX regulation. Please contact us for more information.



Model numbering system

(R) VISP / 2 - 20 - 110 T



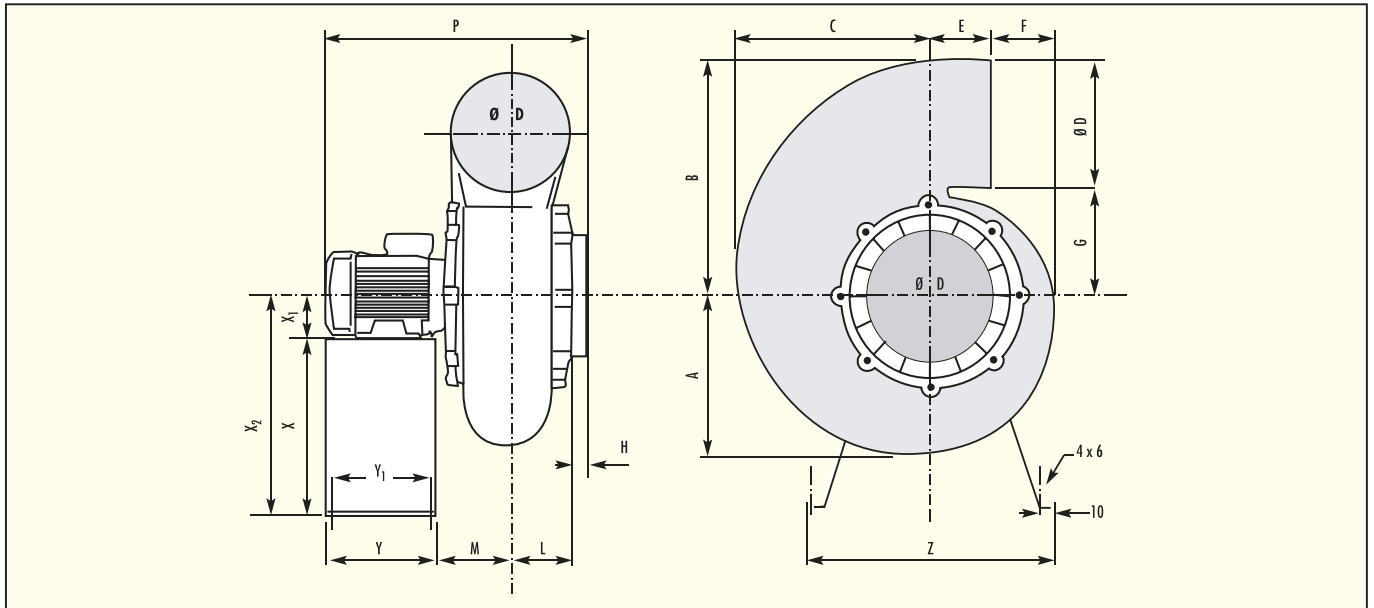
Data

| Type | Speed rpm | Motor power kW | Voltage V | Maximum current A | Maximum duty m³/h | Maximum static pressure Pa | Weight kg | Article number |
|--------------------|--------------|----------------------|--------------|-------------------------|-------------------------|----------------------------------|--------------|-------------------|
| VISP/6-15-018T | 880 | 0,18 | 400 | 0,6 | 280 | 46 | 12 | 213195100 |
| VISP/4-15-025T | 1350 | 0,25 | 400 | 0,71 | 440 | 110 | 12 | 213195110 |
| VISP/4-15-025S | 1350 | 0,25 | 230 | 2,3 | 440 | 110 | 12,5 | 213195115 |
| VISP/2-15-037T | 2730 | 0,37 | 400 | 0,9 | 860 | 430 | 12,3 | 213195120 |
| VISP/2-15-037S | 2800 | 0,37 | 230 | 3,0 | 860 | 430 | 12,7 | 213195125 |
| (R) VISP/6-20-018T | 880 | 0,18 | 400 | 0,6 | 860 | 115 | 13 | 213195130 |
| (R) VISP/4-20-025T | 1350 | 0,25 | 400 | 0,71 | 1320 | 240 | 13,2 | 213195140 |
| (R) VISP/4-20-025S | 1350 | 0,25 | 230 | 2,3 | 1320 | 240 | 13,7 | 213195145 |
| (R) VISP/2-20-075T | 2770 | 0,75 | 400 | 1,7 | 1400 | 1040 | 20,5 | 213195150 |
| (R) VISP/2-20-075S | 2820 | 0,75 | 230 | 5,2 | 1400 | 1040 | 20,5 | 213195155 |
| (R) VISP/2-20-110T | 2770 | 1,1 | 400 | 2,45 | 1950 | 1040 | 21,7 | 213195160 |
| (R) VISP/2-20-110S | 2820 | 1,1 | 230 | 7,9 | 1950 | 1040 | 20,5 | 213195165 |
| (R) VISP/6-25-018T | 880 | 0,18 | 400 | 0,6 | 1550 | 150 | 16 | 213195170 |
| (R) VISP/4-25-037T | 1380 | 0,37 | 400 | 0,98 | 2410 | 370 | 16,5 | 213195180 |
| (R) VISP/4-25-037S | 1360 | 0,37 | 230 | 3,1 | 2410 | 370 | 17 | 213195185 |
| (R) VISP/2-25-220T | 2845 | 2,2 | 400 | 4,6 | 2000 | 1450 | 27,5 | 213195200 |
| (R) VISP/2-25-300T | 2835 | 3,0 | 400 | 6,5 | 3450 | 1450 | 29 | 213195210 |
| (R) VISP/6-30-055T | 900 | 0,55 | 400 | 1,65 | 3050 | 220 | 27 | 213195220 |
| (R) VISP/4-30-150T | 1420 | 1,5 | 400 | 3,4 | 4820 | 560 | 31,5 | 213195230 |
| (R) VISP/4-30-150S | 1400 | 1,5 | 230 | 9,3 | 4820 | 560 | 31,5 | 213195235 |
| (R) VISP/8-35-150T | 710 | 1,5 | 400 | 4,2 | 5500 | 280 | 59 | 213195240 |
| (R) VISP/6-35-220T | 955 | 2,2 | 400 | 5,4 | 7000 | 450 | 59 | 213195250 |
| (R) VISP/4-35-550T | 1450 | 5,5 | 400 | 10,9 | 8400 | 1090 | 74 | 213195260 |
| (R) VISP/4-35-750T | 1455 | 7,5 | 400 | 14,4 | 10100 | 1090 | 80 | 213195270 |

Acoustic characteristics (R) VISP

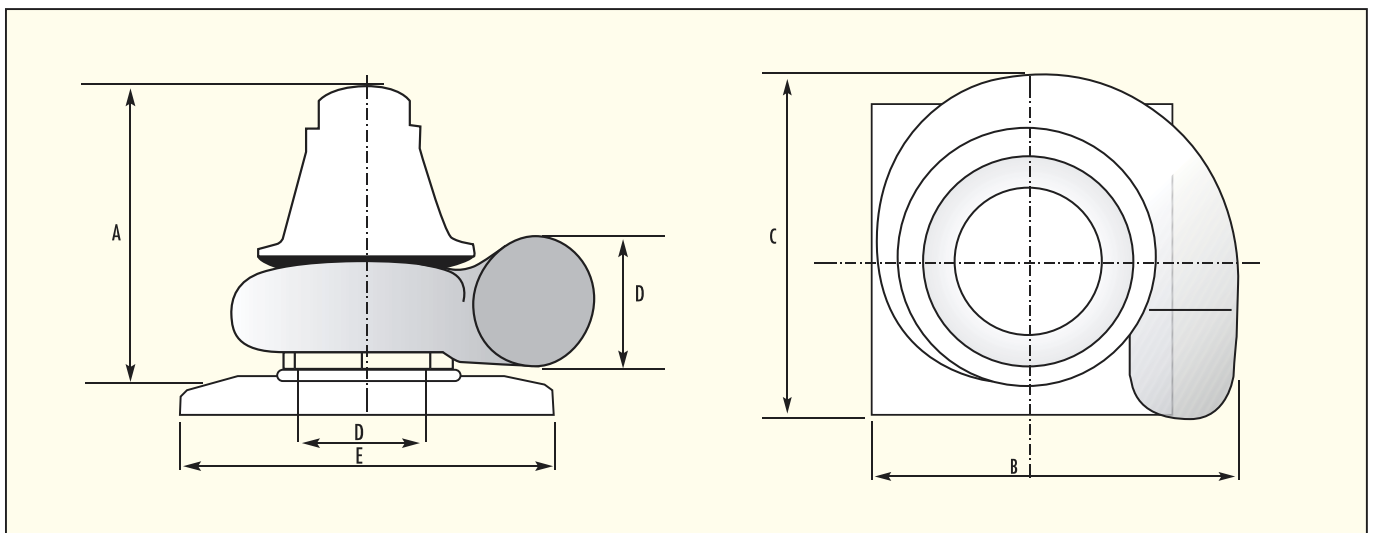
| | VISP 15 | | VISP 20 | | VISP 25 | | | VISP 30 | | VISP 35 | | |
|-----------------|---------|---------|---------|---------|---------|---------|---------|---------|---------|---------|---------|------|
| | point 1 | point 2 | point 1 | point 2 | point 1 | point 2 | point 3 | point 1 | point 2 | point 1 | point 2 | |
| rpm | 1450 | 1450 | 1450 | 1450 | 1450 | 1450 | 2870 | 1450 | 1450 | 1450 | 1450 | |
| Flow | 39 | 251 | 445 | 660 | 662 | 1330 | 3079 | 915 | 2481 | 6120 | 10080 | |
| Static pressure | 109 | 87 | 217 | 199 | 350 | 318 | 1046 | 552 | 477 | 750 | 625 | |
| Frequency Hz | 125 | 50,5 | 55,3 | 65,1 | 67,6 | 70,1 | 72,2 | 84 | 75,1 | 60,6 | 74,5 | 74,5 |
| | 250 | 51,6 | 51,7 | 64,9 | 65,3 | 70,8 | 70,6 | 86,9 | 76,5 | 68,5 | 68,2 | 72 |
| | 500 | 52,7 | 52,1 | 63,8 | 64,8 | 70,1 | 72,1 | 85 | 76,9 | 75,5 | 68,4 | 76,1 |
| | 1000 | 46,8 | 49,8 | 61 | 61,9 | 69,8 | 70,5 | 87,2 | 73,2 | 74,2 | 67,4 | 75,5 |
| | 2000 | 39,2 | 41,8 | 52,3 | 53 | 59,8 | 62,1 | 82,3 | 68,5 | 71 | 61,2 | 70,9 |
| | 4000 | 32,8 | 36,9 | 50,6 | 51,33 | 54,7 | 59,2 | 79,6 | 63,9 | 66,7 | 61,3 | 71,4 |
| Lw (dB) | 57 | 58,9 | 70,1 | 71,5 | 76,4 | 77,7 | 92,7 | 82 | 79,5 | 82,4 | 87,9 | |
| Lw (dBA) | 52,2 | 53,7 | 65,3 | 66,2 | 72,7 | 73,9 | 90,6 | 78,2 | 78,4 | 77,3 | 86 | |

Dimensions in mm



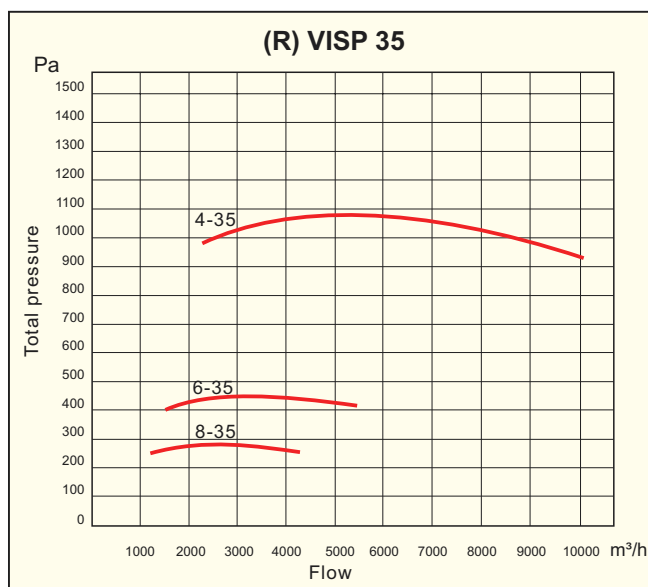
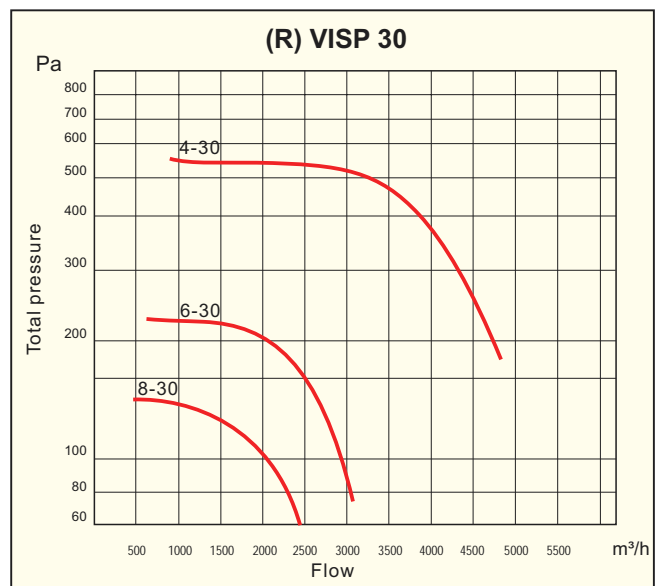
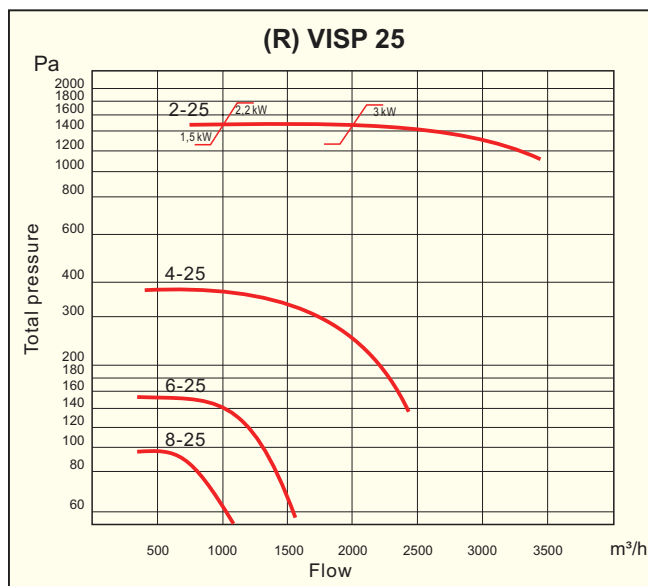
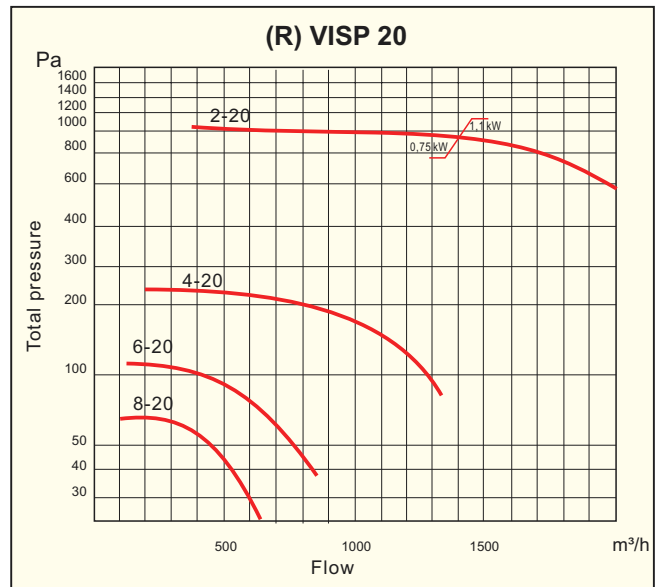
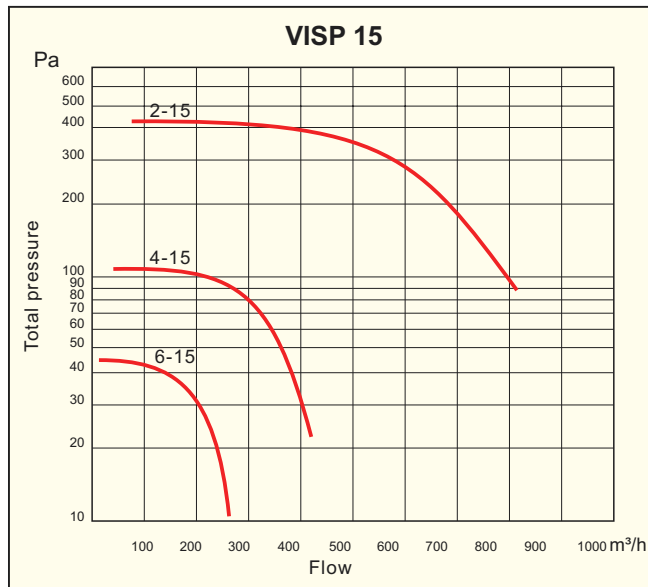
| VISP | Type | A | B | C | D | E | F | G | H | L | M | P | Y | Y1 | Z | X | X1 |
|------|------|-----|-----|-----|-----|-----|-----|-----|----|-----|-----|-----|-----|-----|-----|-----|--------|
| | 15 | 170 | 240 | 203 | 125 | 100 | 32 | 115 | 30 | 70 | 80 | 360 | 180 | 160 | 340 | 240 | 71 |
| | 20 | 208 | 303 | 240 | 160 | 100 | 57 | 143 | 32 | 84 | 94 | 390 | 180 | 160 | 340 | 240 | 71/80* |
| | 25 | 248 | 365 | 310 | 200 | 103 | 92 | 165 | 35 | 95 | 105 | 415 | 180 | 160 | 420 | 300 | 71/90* |
| | 30 | 300 | 450 | 373 | 250 | 117 | 112 | 198 | 35 | 110 | 120 | 505 | 240 | 220 | 460 | 270 | 80/90* |
| | 35 | 370 | 570 | 450 | 315 | 130 | 170 | 255 | 60 | 150 | 170 | 730 | 350 | 314 | 600 | 468 | 112 |

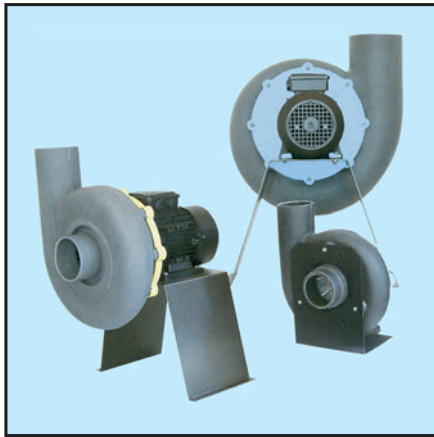
* - Depends on selected motor size



| RVISP | Type | A | B | C | D | E |
|-------|------|-----|-----|-----|-----|---------|
| | 20 | 460 | 590 | 555 | 160 | 547x547 |
| | 25 | 500 | 640 | 590 | 200 | 547x547 |
| | 30 | 600 | 750 | 650 | 250 | 547x547 |
| | 35 | 880 | 950 | 850 | 315 | 700x700 |

Performance curves



NOWOŚĆ**Construction**

Single inlet, direct driven centrifugal fan. Suitable for ventilation of safety cabinets, scrubbers, fume capture arm, filter housing, etc.

Casing made of single block strong high density UV treated and recyclable polypropylene (PPH) with no air leakage. All fan mounting hardware is stainless steel. Forward curved centrifugal type impeller made of injection molded PPH. Fan wheel supplied with motor shaft bushing and hub cap constructed of PPH. Wheels electronically and dynamically balanced. LG/CCW rotation only. PPH casing and wheel recommended up to 80°C.

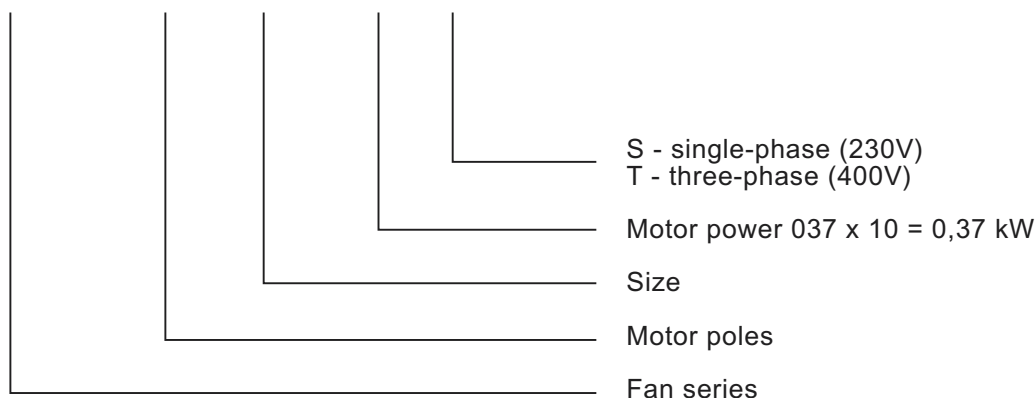
Motor

Direct drive, asynchronous, single or three phase, IP55. Single speed: three phase 230/400 V- 50/60 Hz, single phase 230 V - 50 Hz. Explosion-proof motors available on request.

VASP series fans are also available in ATEX Zone II, category 3G execution in accordance with ATEX regulation 94/9/CE. Please contact us for more information.

Model numbering system

VASP - 2 - 12 - 037 T

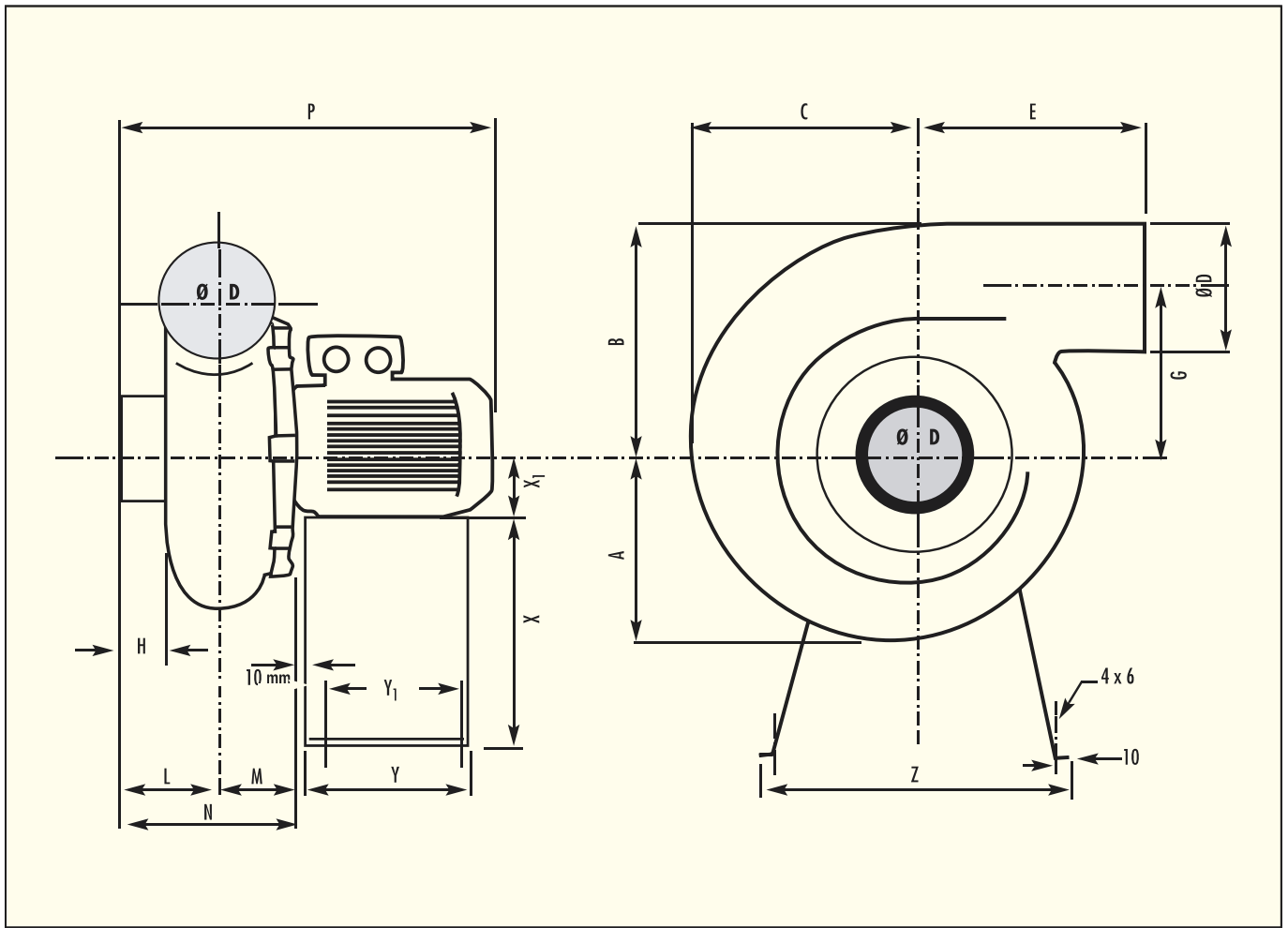


Data

| Type | Speed rpm | Motor power kW | Voltage V | Maximum current A | Maximum duty m³/h | Static pressure Pa | Weight kg | Article number |
|----------------|--------------|----------------------|--------------|-------------------------|-------------------------|--------------------------|--------------|-------------------|
| VASP/4-10-006T | 1400 | 0,06 | 400 | 0,25 | 80 | 110 | 5 | 213195500 |
| VASP/4-10-006S | 1410 | 0,06 | 230 | 0,53 | 80 | 110 | 6 | 213195505 |
| VASP/2-10-012T | 2800 | 0,12 | 400 | 0,32 | 180 | 420 | 5,5 | 213195510 |
| VASP/2-10-012S | 2860 | 0,12 | 230 | 1,0 | 180 | 420 | 5,5 | 213195515 |
| VASP/4-12-025T | 1380 | 0,25 | 400 | 0,85 | 270 | 220 | 11,5 | 213195520 |
| VASP/4-12-025S | 1350 | 0,25 | 230 | 2,3 | 270 | 220 | 12 | 213195525 |
| VASP/2-12-037T | 2800 | 0,37 | 400 | 1,0 | 530 | 830 | 12 | 213195530 |
| VASP/2-12-037S | 2800 | 0,37 | 230 | 3,0 | 530 | 830 | 12 | 213195535 |
| VASP/2-14-110T | 1415 | 1,1 | 400 | 2,7 | 1080 | 1350 | 21,5 | 213195540 |
| VASP/2-14-110S | 1380 | 1,1 | 230 | 7,5 | 1080 | 1350 | 21,5 | 213195545 |
| VASP/2-16-220T | 2845 | 2,2 | 400 | 4,6 | 1850 | 2010 | 28 | 213195550 |

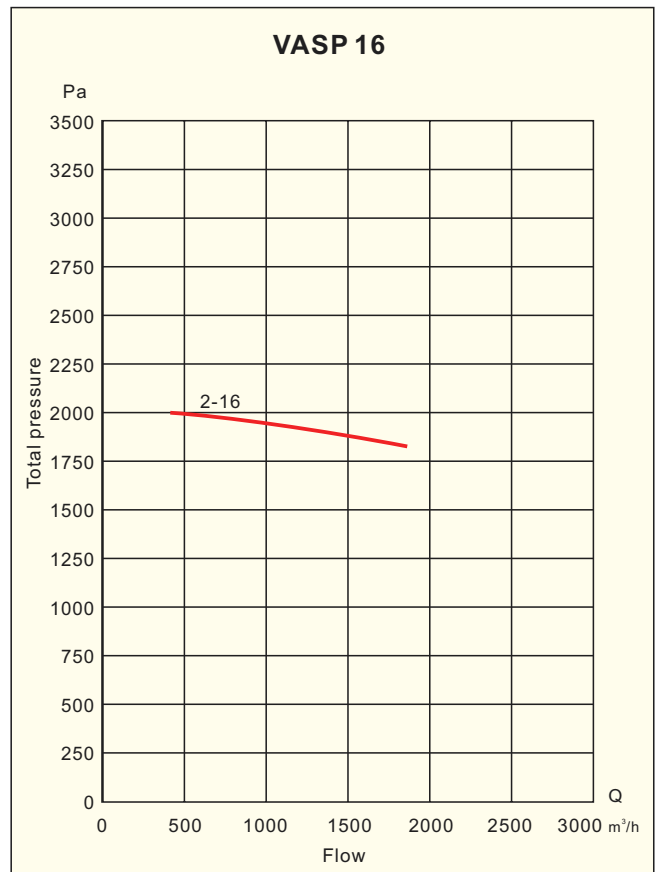
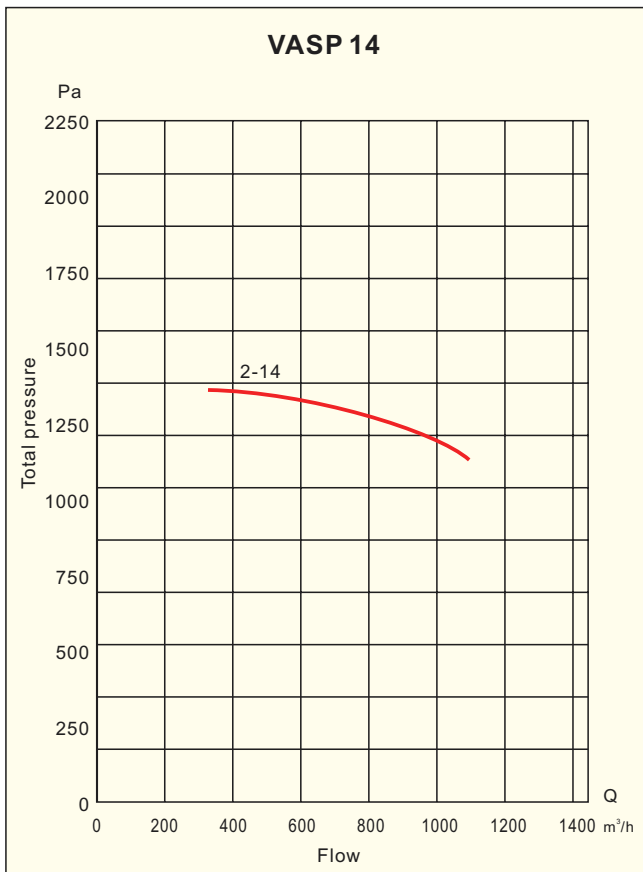
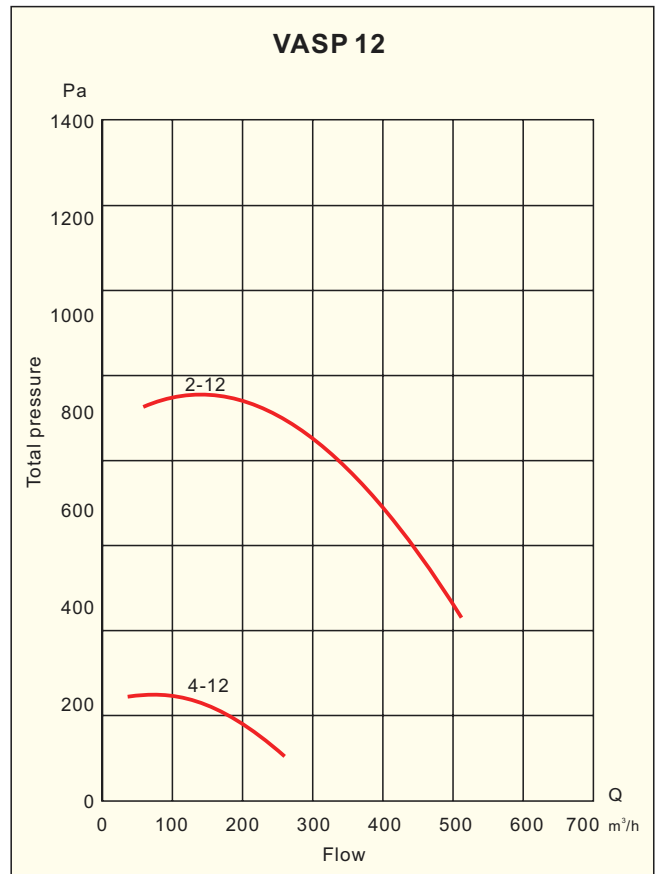
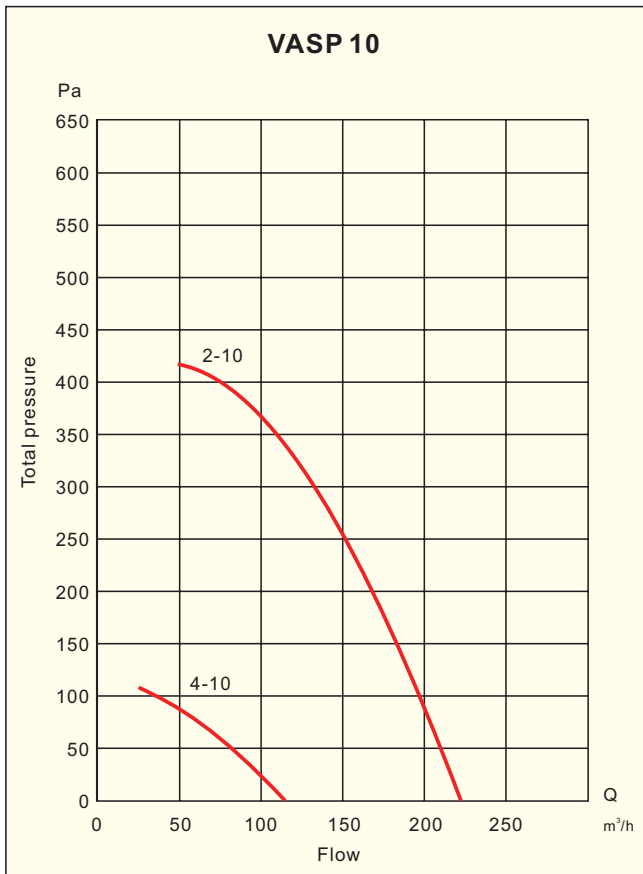
Acoustic characteristics VASP

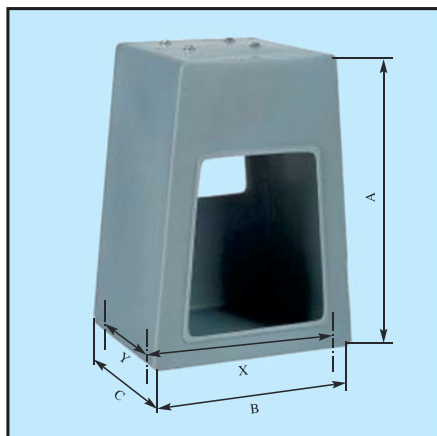
| | | VASP 10 | | VASP 12 | | VASP 14 | | VASP 16 | |
|---------------------|--------------|---------|---------|---------|---------|---------|---------|---------|---------|
| | | point 1 | point 2 | point 1 | point 2 | point 1 | point 2 | point 1 | point 2 |
| Speed [rpm] | | 1435 | 2870 | 1450 | 2850 | 1450 | 2850 | 1450 | 1450 |
| Flow [m³/h] | | 58 | 116 | 233 | 458 | 538 | 1057 | 906 | 2481 |
| Total pressure [Pa] | | 96 | 386 | 208 | 805 | 400 | 1547 | 585 | 477 |
| | | Lw(dB) | Lw(dB) | Lw(dB) | Lw(dB) | Lw(dB) | Lw(dB) | Lw(dB) | Lw(dB) |
| Frequency Hz | 50 | | | 79,9 | 92,5 | 81,5 | 104,7 | 85,5 | 107,9 |
| | 100 | | | 71,9 | 88,5 | 76,9 | 90,2 | 87 | 94,2 |
| | 250 | 49,8 | 66,9 | 63,6 | 76,4 | 74,7 | 87,3 | 74,3 | 94 |
| | 500 | 45,2 | 64,8 | 66,4 | 72,6 | 69,1 | 84,1 | 70,9 | 84,1 |
| | 1000 | 49,8 | 60,3 | 55,7 | 76,4 | 61,4 | 80 | 69,2 | 83,4 |
| | 2500 | | | 47,7 | 63,3 | 54,6 | 71,8 | 62,9 | 80,3 |
| | 5000 | | | 43,3 | 62,4 | 50 | 69,3 | 57,8 | 77,5 |
| | 10000 | | | 41,4 | 58 | 48,3 | 64,7 | 49,7 | 72,5 |
| Lw (dB) | | 61,6 | 80,8 | 83,9 | 98,1 | 87,3 | 105,8 | 93,6 | 110 |
| Lw (dBA) | | 52,3 | 69,7 | 71,7 | 85,8 | 75 | 89,8 | 78,3 | 94,8 |



Dimensions in mm

| VASP | A | B | C | D | E | G | H | L | M | N | P | Y | Y ₁ | Z | X | X ₁ |
|------|-----|-----|-----|-----|-----|-----|----|-----|----|-----|-----|-----|----------------|-----|-----|----------------|
| 10 | 115 | 135 | 127 | 75 | 158 | 97 | 32 | 48 | 57 | 137 | 295 | 12 | 100 | 165 | 135 | |
| 12 | 145 | 175 | 163 | 90 | 212 | 130 | 45 | 80 | 72 | 152 | 350 | 180 | 160 | 340 | 240 | 71 |
| 14 | 188 | 232 | 227 | 125 | 218 | 170 | 55 | 110 | 83 | 193 | 433 | 180 | 160 | 340 | 240 | 80 |
| 16 | 235 | 288 | 278 | 160 | 262 | 205 | 40 | 100 | 97 | 197 | 477 | 240 | 160 | 420 | 300 | 90 |

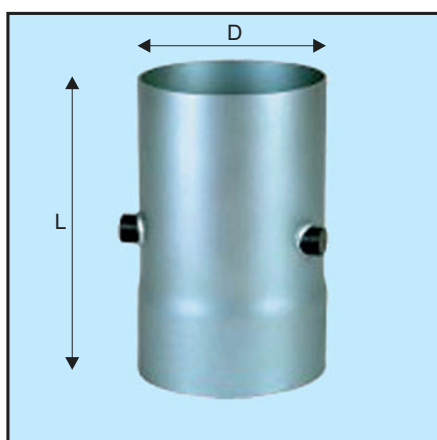
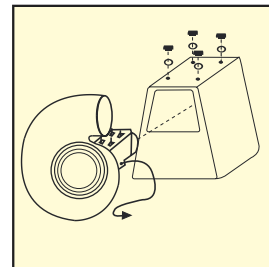




Motor protection stand PO

Dimensions in mm

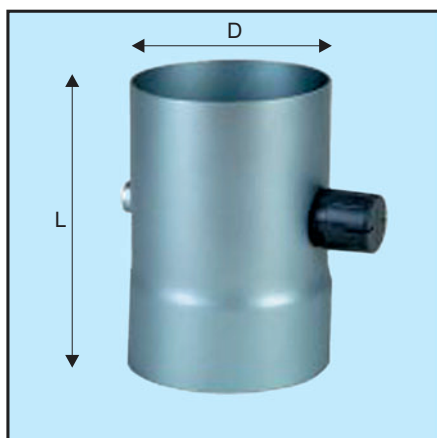
| | Type | A | B | C | X | Y |
|------------------------|------|-----|-----|-----|-----|-----|
| VISP 15,20, VASP 10,12 | 350 | 350 | 395 | 320 | 260 | 250 |
| VISP 25-4,6P, VASP 14 | 450 | 450 | 330 | 260 | 260 | 200 |
| VISP 25-2P,30, VASP 16 | 550 | 550 | 400 | 365 | 330 | 300 |
| VISP 35 | 700 | 715 | 585 | 505 | 520 | 430 |



Clapper valve C

Dimensions in mm

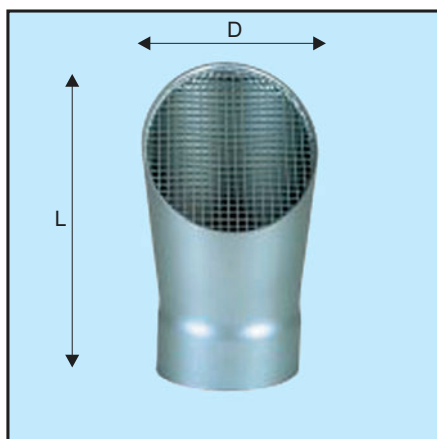
| L | D |
|-----|-----|
| 125 | 220 |
| 160 | 260 |
| 200 | 270 |
| 250 | 315 |
| 315 | 350 |



Adjustable damper AD

Dimensions in mm

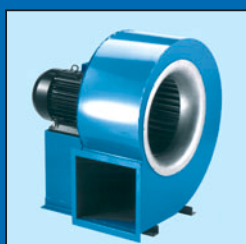
| L | D |
|-----|-----|
| 125 | 190 |
| 160 | 205 |
| 200 | 220 |
| 250 | 225 |
| 315 | 230 |



Exhaust cap EC

Dimensions in mm

| L | D |
|-----|-----|
| 125 | 190 |
| 160 | 205 |
| 200 | 220 |
| 250 | 225 |
| 315 | |



| | |
|---------------------|-----|
| SEM | 106 |
| DEM | 107 |
| CBM | 108 |
| CBP | 111 |
| GSF-AP HT | 115 |
| GSF | 118 |
| GRF | 120 |
| GSFG | 122 |
| MPB | 126 |
| MPR | 130 |
| MPT | 133 |
| Accessories - MP... | 138 |
| GMT | 140 |
| GSB, MSB | 144 |
| MSB-VB | 150 |
| HSB | 153 |
| GST | 156 |
| QP | 159 |
| Q | 162 |
| Q, 2-stage | 166 |
| DPB | 168 |
| FCM, RL | 170 |
| PB, PH | 171 |
| BL, BNF | 172 |
| HPBx | 173 |
| HPB, HPT, HPR | 176 |
| Accessories - HP... | 189 |

In-Line Fans

Axial-flow Fans Wall Versions

Axial-flow Fans Cased Versions

Roof Fans

Fans "ATEX"

Centrifugal Fans VISP/VASP

Centrifugal Fans

Side Channel Blowers

Chip Extractors

Domestic Fans

Accessories

Electric Diagrams

General Information

Index



Construction

Single inlet centrifugal fan with forward curved impellers manufactured in galvanized steel sheet. Casing in galvanized steel sheet.

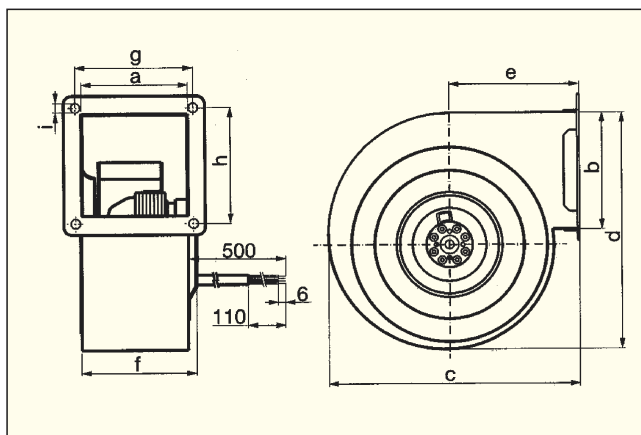
Motor

230V, 50Hz single-phase asynchronous external rotor motor with built-in automatic thermal protection overload switch. Enclosure IP44, insulation class B.

Wiring diagram, see page 236.

Dimensions in mm

| Type | a | b | c | d | e | f | g | h | i |
|-------------------|-----|-----|-----|-----|-----|-----|-----|-----|---|
| SEM-RF-2C-120/062 | 77 | 69 | 175 | 180 | 88 | 99 | 94 | 82 | 6 |
| SEM-RF-2C-133/062 | 77 | 69 | 175 | 180 | 88 | 101 | 94 | 82 | 6 |
| SEM-RF-2C-146/062 | 96 | 94 | 224 | 244 | 103 | 98 | 115 | 105 | 7 |
| SEM-RF-2C-160/062 | 96 | 94 | 224 | 244 | 103 | 98 | 115 | 105 | 7 |
| SEM-RF-4C-160/062 | 96 | 94 | 224 | 244 | 103 | 98 | 115 | 105 | 7 |
| SEM-RF-4C-180/092 | 130 | 135 | 295 | 362 | 135 | 150 | 163 | 168 | 7 |

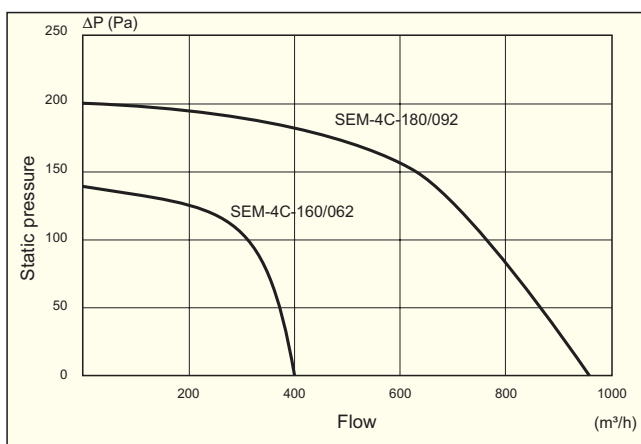
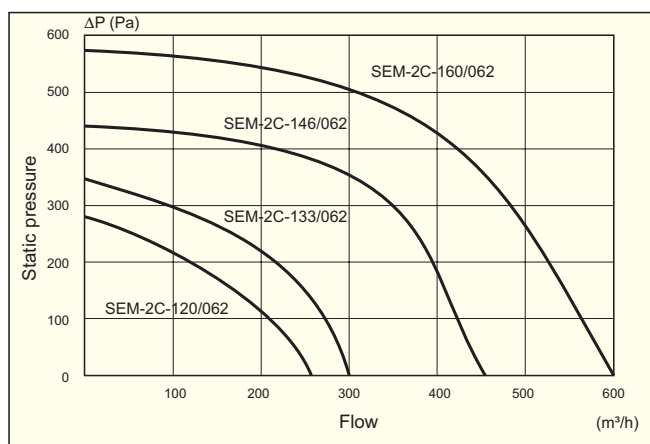


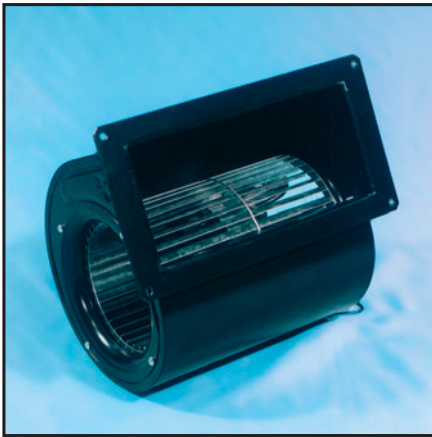
Data

| Type | Speed rpm | Capacitor μF | Motor power W | Maximum current A | Maximum duty m³/h | Sound level dB (A)* | Maximum temperature °C | Weight kg | Article number |
|----------------|--------------|-----------------|---------------------|-------------------------|-------------------------|---------------------------|------------------------------|--------------|-------------------|
| SEM-2C-120/062 | 2300 | 2 | 75 | 0,35 | 270 | 65 | 75 | 1,9 | 119 001 011 |
| SEM-2C-133/062 | 1650 | 2 | 100 | 0,47 | 300 | 62 | 40 | 1,9 | 119 001 015 |
| SEM-2C-146/062 | 1650 | 3 | 145 | 0,66 | 460 | 60 | 55 | 3,7 | 119 001 021 |
| SEM-2C-160/062 | 2100 | 6 | 260 | 1,18 | 600 | 71 | 40 | 4,0 | 119 001 025 |
| SEM-4C-160/062 | 1320 | 2 | 70 | 0,33 | 405 | 66 | 60 | 3,0 | 119 001 031 |
| SEM-4C-180/092 | 1275 | 6 | 160 | 0,75 | 950 | 67 | 40 | 6,5 | 119 001 035 |

* distance 1m

Performance curves





Construction

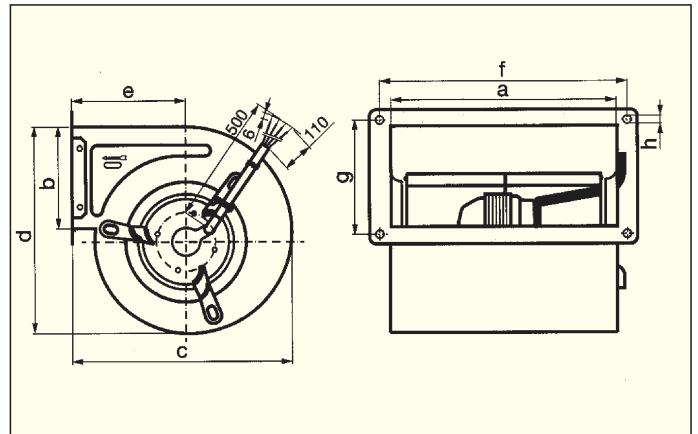
Double inlet radial fan. Impellers with forward curved blades in galvanized steel sheet.

Motor

220–240V, 50Hz single-phase external rotor motor with capacitor, suitable for variable speed control. Enclosure IP44, insulation class B. Special voltage or frequency, insulation class and enclosure, may be supplied on request. Wiring diagram, see page 236.

Dimensions in mm

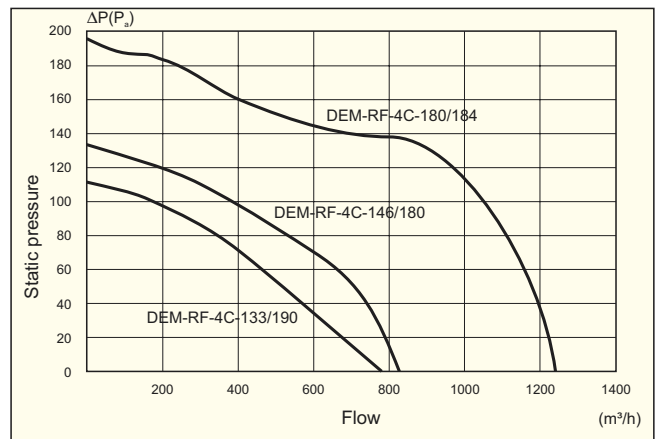
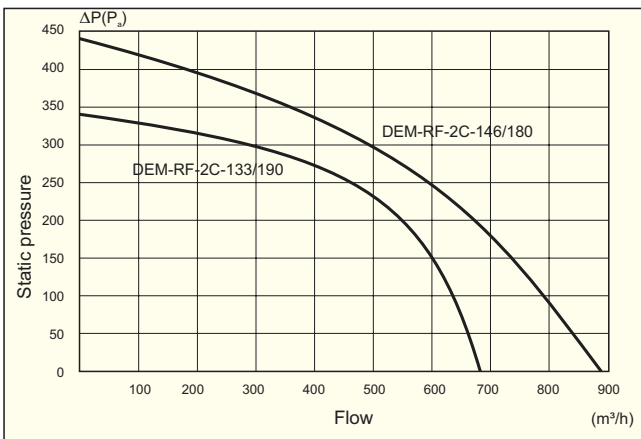
| Type | a | b | c | d | e | f | g | h |
|-------------------|-----|-----|-----|-----|-----|-----|-----|-----|
| DEM-RF-2C-133/190 | 217 | 70 | 171 | 180 | 88 | 254 | 126 | 5,5 |
| DEM-RF-2C-146/180 | 220 | 100 | 200 | 205 | 100 | 254 | 126 | 5,5 |
| DEM-RF-4C-133/190 | 220 | 100 | 200 | 205 | 100 | 254 | 126 | 5,5 |
| DEM-RF-4C-146/180 | 220 | 100 | 200 | 205 | 100 | 254 | 126 | 5,5 |
| DEM-RF-4C-180/184 | 225 | 120 | 265 | 260 | 145 | 287 | 126 | 7 |

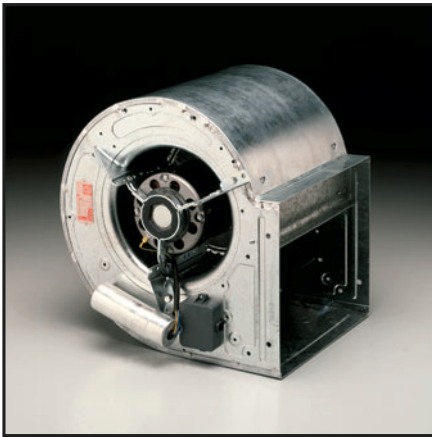


Data

| Type | Speed rpm | Capacitor μF | Motor power W | Maximum current A | Maximum duty m³/h | Sound level* dB (A) | Maximum tempera- ture °C | Weight kg | Article number |
|-------------------|--------------|-----------------|---------------------|-------------------------|-------------------------|---------------------------|--------------------------------|--------------|-------------------|
| DEM-RF-2C-133/190 | 1750 | 5,0 | 185 | 0,82 | 685 | 58 | 45 | 3,52 | 119 001 013 |
| DEM-RF-2C-146/180 | 1450 | 5,0 | 220 | 0,95 | 875 | 57 | 35 | 4,12 | 119 001 023 |
| DEM-RF-4C-133/190 | 1300 | 2,5 | 80 | 0,40 | 770 | 56 | 75 | 3,20 | 119 002 011 |
| DEM-RF-4C-146/180 | 1260 | 3,0 | 108 | 0,46 | 825 | 56 | 70 | 3,25 | 119 002 025 |
| DEM-RF-4C-180/184 | 1250 | 5,0 | 200 | 0,90 | 1250 | 60 | 60 | 5,00 | 119 002 031 |

* distance 1m





Construction

Double inlet centrifugal fan. Forward curved impellers manufactured in galvanized steel sheet. Casing in galvanized steel sheet with easy dismountable motor brackets.

Motor

220–240V, 50Hz single-phase asynchronous motor with capacitor, resp. 220–240/380–420V, 50Hz three-phase asynchronous motor. Enclosure IP10, insulation class B, built-in thermal overload protection. Special voltage or frequency, insulation class and enclosure may be supplied on request.

Data

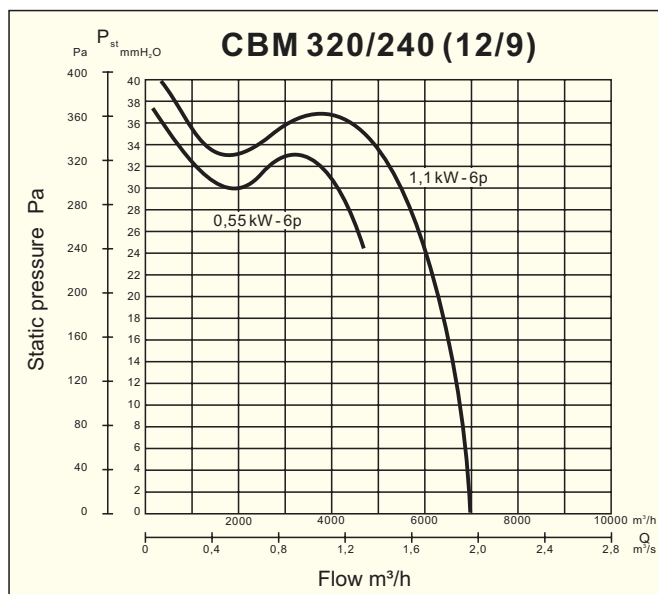
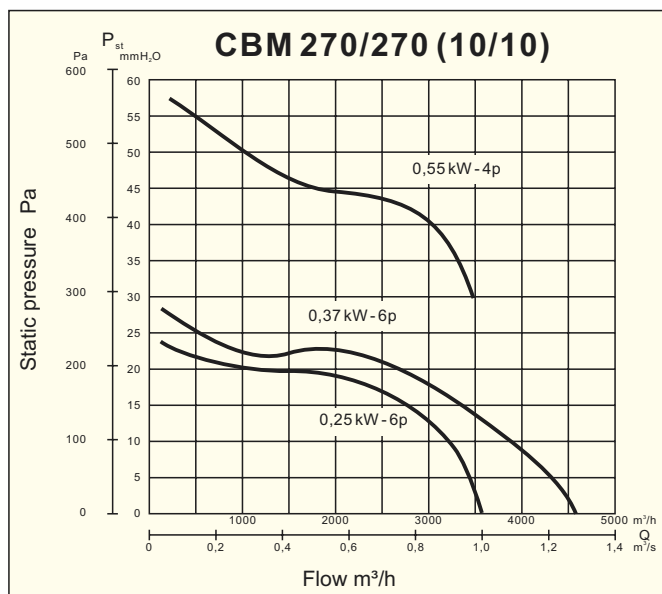
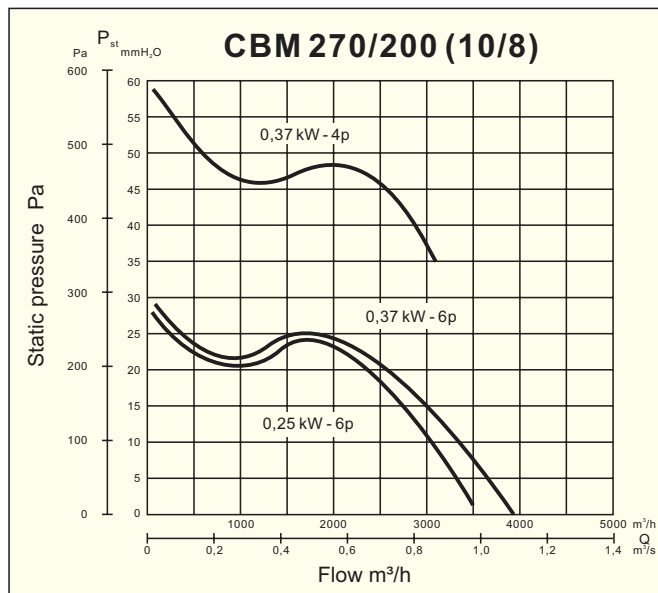
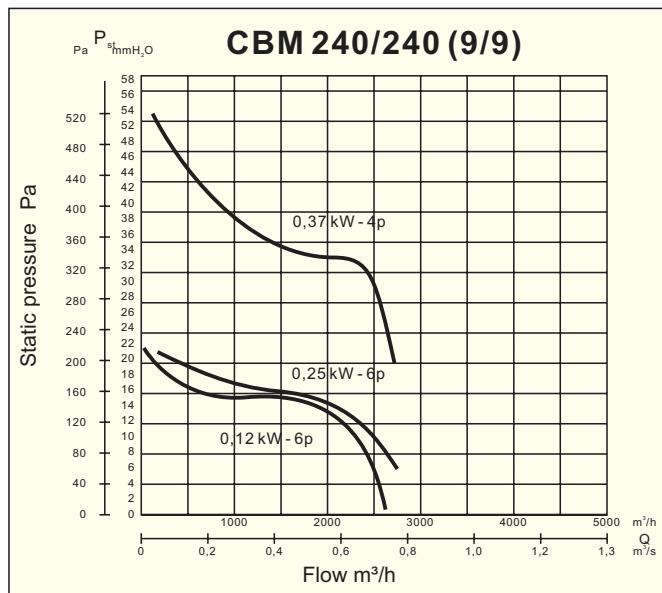
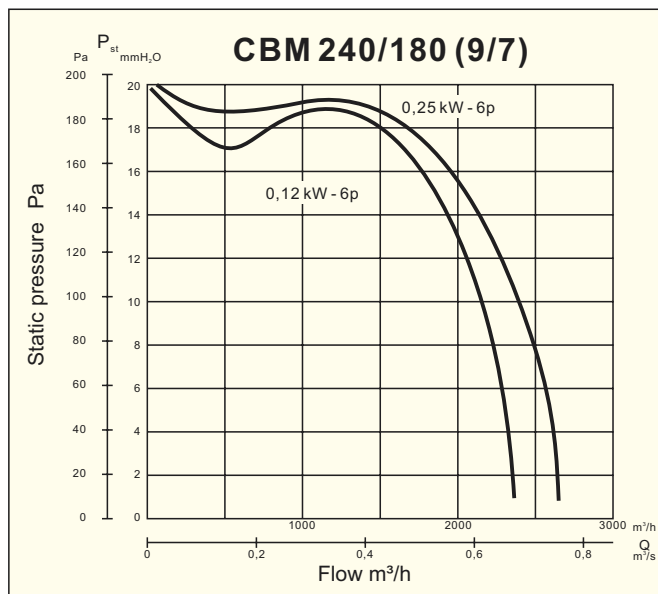
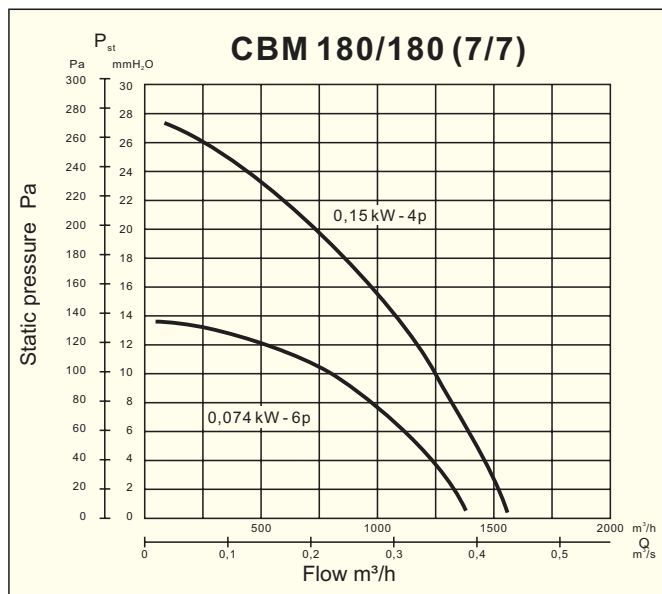
| Type | Speed rpm | Motor power kW | Maximum current A | Voltage V | Maximum duty m ³ /h | Sound level dB (A) | Weight kg | Article number |
|-------------|--------------|-------------------|-------------------------|--------------|--------------------------------------|-----------------------|--------------|----------------|
| CBM-180/180 | 960 | 0,074 | 1,0 | 230 | 1400 | 56 | 9 | 112 500 111 |
| | 1550 | 0,15 | 1,5 | 230 | 1565 | 59 | 10 | 112 500 151 |
| CBM-240/180 | 900 | 0,12 | 2,1 | 230 | 2430 | 63 | 15 | 112 500 201 |
| | 920 | 0,25 | 2,5 | 230 | 2680 | 65 | 16 | 112 500 251 |
| CBM-240/240 | 850 | 0,12 | 2,1 | 230 | 2500 | 61 | 16 | 112 500 301 |
| | 900 | 0,25 | 2,75 | 230 | 2900 | 63 | 17 | 112 500 351 |
| | 1550 | 0,37 | 3,8 | 230 | 2650 | 65 | 19 | 112 500 011 |
| CBM-270/200 | 900 | 0,25 | 3,0 | 230 | 3480 | 65 | 18 | 112 500 401 |
| | 970 | 0,37 | 4,0 | 230 | 4000 | 68 | 19 | 112 500 051 |
| | 1300 | 0,37 | 5,0 | 230 | 3150 | 66 | 21 | 112 500 451 |
| CBM-270/270 | 900 | 0,25 | 3,0 | 230 | 3550 | 63 | 20 | 112 500 501 |
| | 900 | 0,37 | 4,0 | 230 | 4500 | 67 | 21 | 112 500 551 |
| | 1400 | 0,55 | 5,9 | 230 | 3540 | 66 | 23 | 112 500 601 |
| CBM-320/240 | 900 | 0,55 | 5,8 | 230 | 4700 | 67 | 28 | 112 500 651 |
| | 900 | 1,10 | 4,2 | 400 | 7000 | 75 | 28 | 112 500 701 |
| CBM-320/320 | 900 | 0,55 | 5,8 | 230 | 5250 | 66 | 30 | 112 500 751 |
| | 900 | 1,10 | 4,0 | 400 | 7900 | 78 | 30 | 112 500 801 |
| CBM-380/380 | 920 | 2,20 | 8,0 | 400 | 11900 | 76 | 45 | 112 500 811 |

Accessories

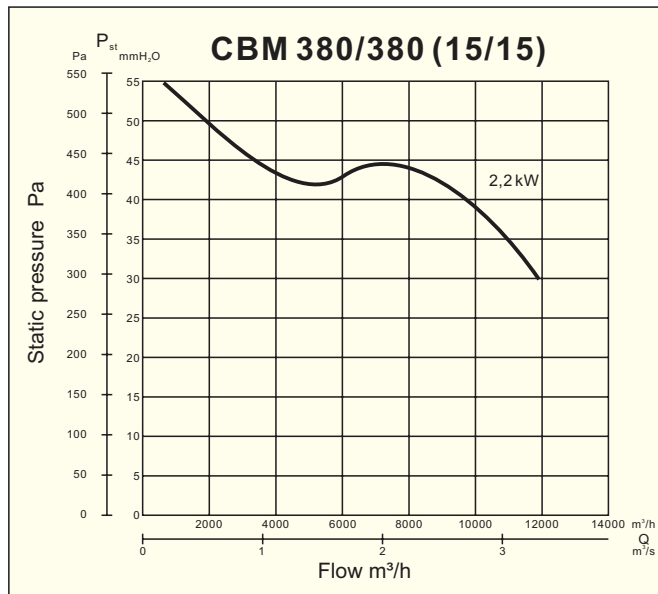
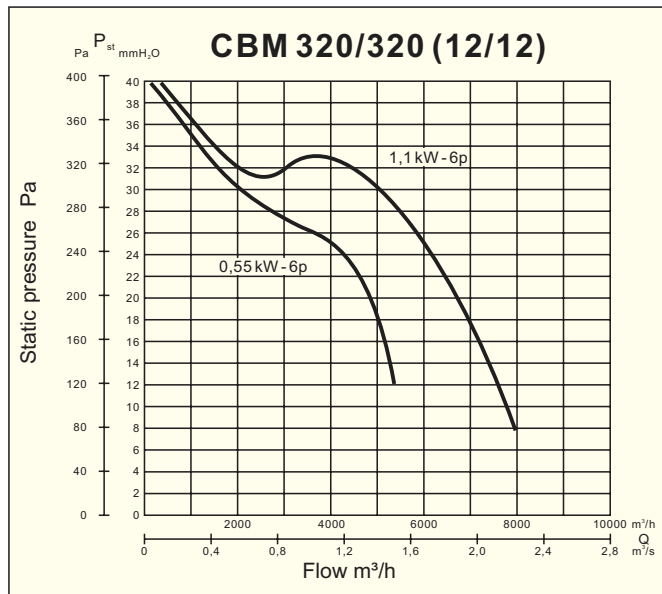


Mounting base

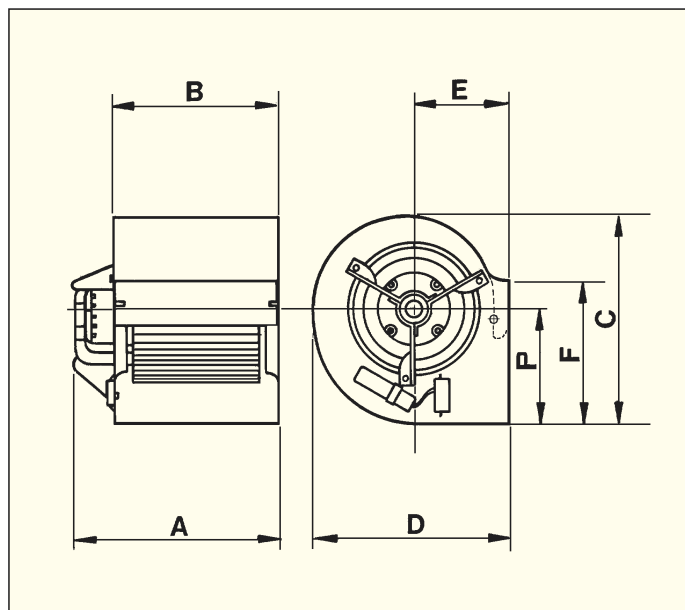
Performance curves



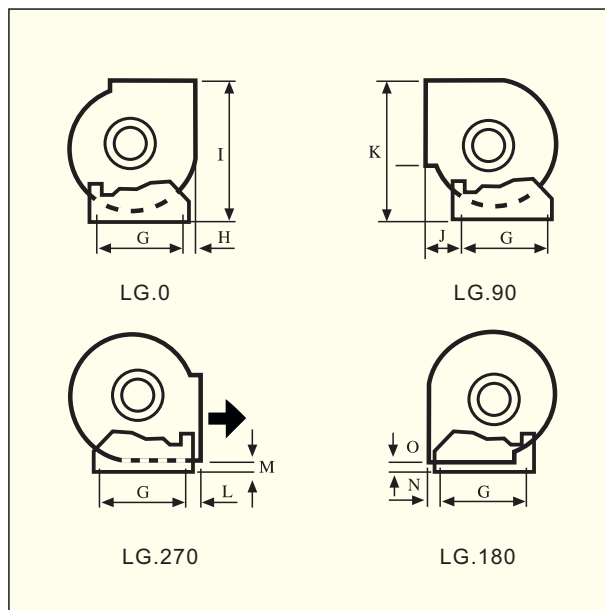
Performance curves



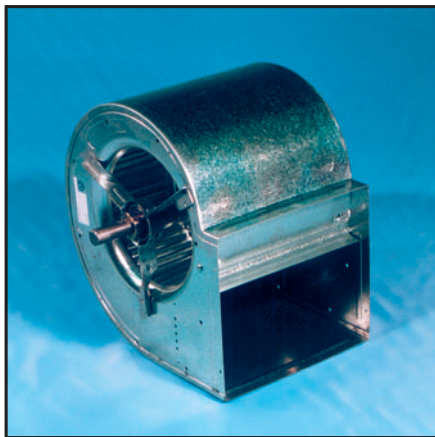
Dimensions in mm



Handing positions



| Type | A | B | C | D | E | F | G | H | I | J | K | L | M | N | O | P |
|-------------|-----|-----|-----|-----|-----|-----|-----|----|-----|----|-----|----|----|----|---|-----|
| CBM-180/180 | 269 | 233 | 328 | 309 | 145 | 210 | 225 | 49 | 314 | 57 | 333 | 28 | 15 | 10 | 6 | 188 |
| CBM-240/180 | 289 | 234 | 393 | 381 | 183 | 256 | 298 | 33 | 383 | 67 | 393 | 67 | 40 | 33 | 7 | 217 |
| CBM-240/240 | 345 | 300 | 393 | 381 | 183 | 256 | 298 | 33 | 383 | 67 | 393 | 67 | 40 | 33 | 7 | 217 |
| CBM-270/200 | 344 | 265 | 440 | 421 | 202 | 288 | 339 | 40 | 424 | 67 | 444 | 67 | 38 | 40 | 7 | 246 |
| CBM-270/270 | 379 | 334 | 440 | 421 | 202 | 288 | 339 | 40 | 424 | 67 | 444 | 67 | 38 | 40 | 7 | 246 |
| CBM-320/240 | 389 | 309 | 515 | 490 | 230 | 343 | 407 | 52 | 489 | 55 | 517 | 55 | 35 | 52 | 9 | 289 |
| CBM-320/320 | 433 | 395 | 515 | 490 | 230 | 343 | 407 | 52 | 489 | 55 | 517 | 55 | 35 | 52 | 9 | 289 |
| CBM-380/380 | 630 | 471 | 625 | 580 | 264 | 404 | - | - | - | - | - | - | - | - | - | 347 |



Construction

Double inlet centrifugal fan for belt drive. Forward curved impellers manufactured in galvanized steel sheet. Casing in galvanized steel sheet with easy dismountable motor brackets.

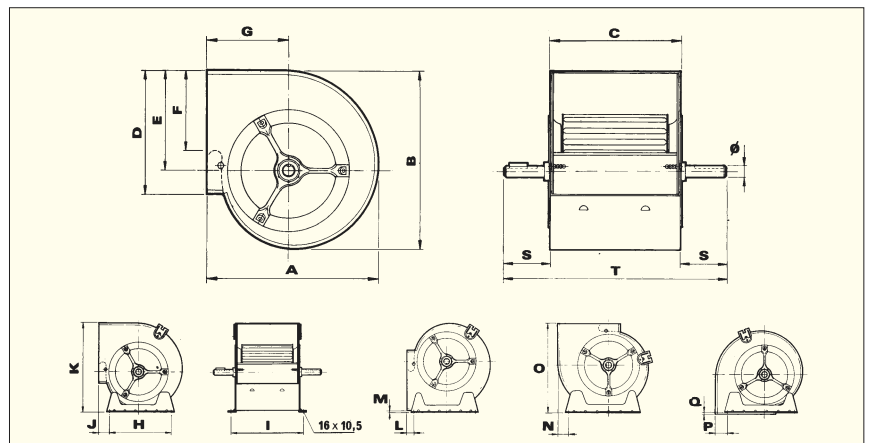
Accessories

Mounting base

Data

| Type | Speed rpm | Maximum duty m ³ /h | Weight kg | Article number |
|---------------------|--------------|-----------------------------------|--------------|----------------|
| CBP-7/7 (180/180) | 2400 | 2800 | 7 | 112 501 011 |
| CBP-9/7 (240/180) | 2400 | 6000 | 10 | 112 501 021 |
| CBP-9/9 (240/240) | 2200 | 7000 | 11 | 112 501 031 |
| CBP-10/8 (270/200) | 1800 | 6500 | 12 | 112 501 041 |
| CBP-10/10 (270/270) | 1800 | 7000 | 13 | 112 501 051 |
| CBP-12/9 (320/240) | 1600 | 8000 | 16 | 112 501 061 |
| CBP-12/12 (320/320) | 1400 | 10000 | 17 | 112 501 071 |
| CBP-15/15 (380/380) | 1300 | 16000 | 22 | 112 501 081 |
| CBP-18/18 (460/460) | 1000 | 22000 | 33 | 112 501 091 |

Dimensions in mm



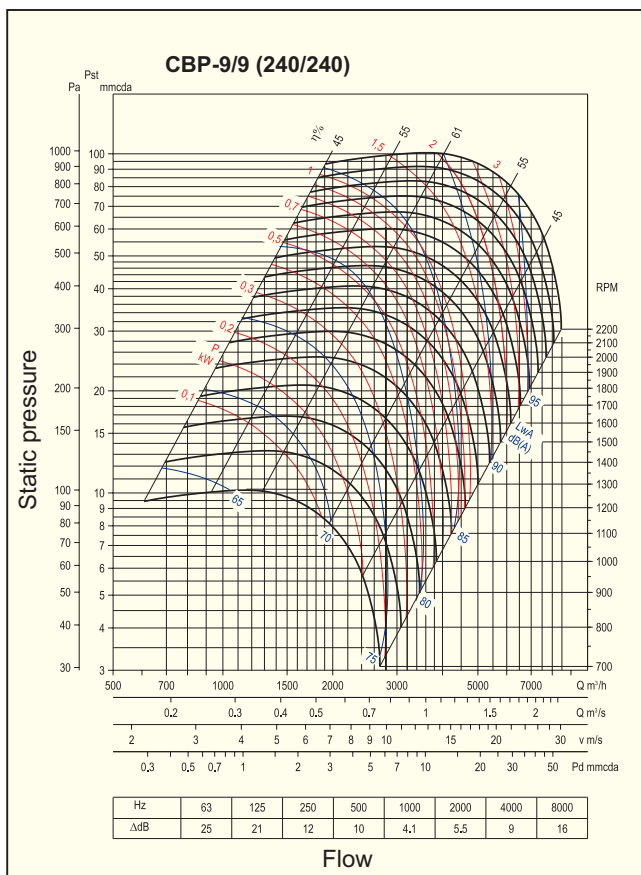
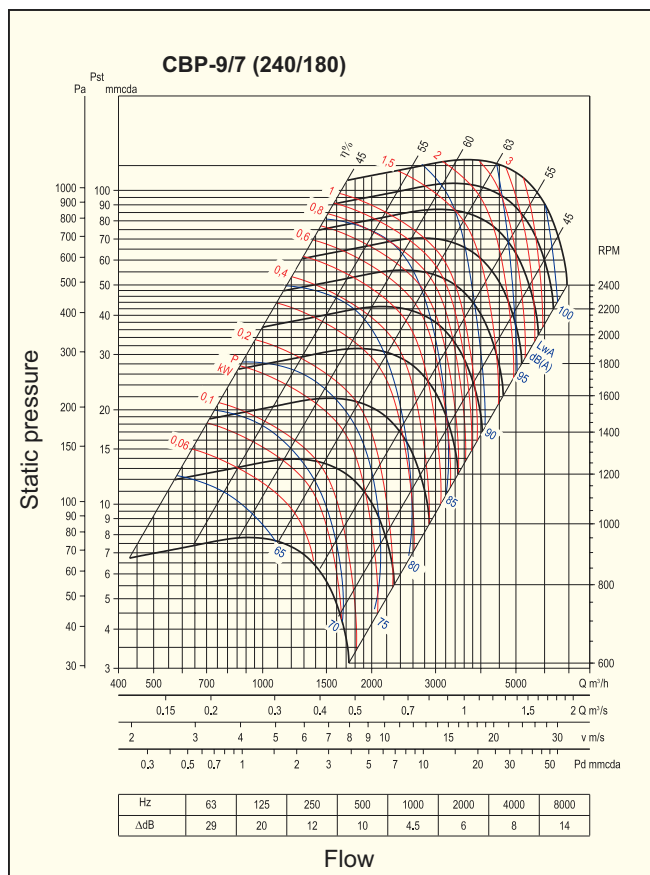
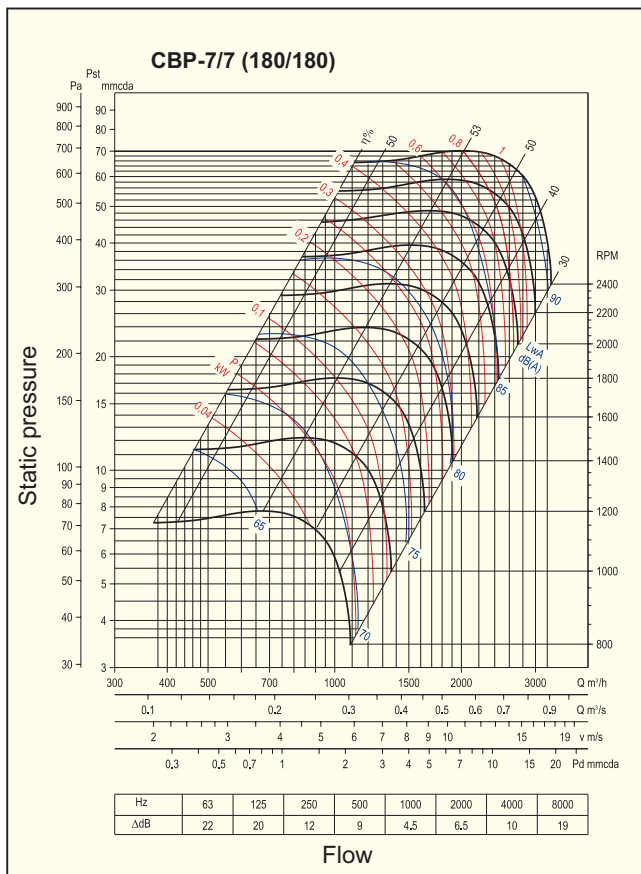
| Type | A | B | C | D | E | F | G | H | I | J | K | L | M | N | O | P | Q | S | T | Ø |
|---------------------|-----|-----|-----|-----|-----|-----|-----|-----|-----|----|-----|----|----|----|-----|----|---|------|-----|----|
| CBP-7/7 (180/180) | 307 | 321 | 232 | 222 | 180 | 148 | 146 | 227 | 259 | 18 | 328 | 18 | 4 | 33 | 310 | 17 | 4 | 49 | 330 | 20 |
| CBP-9/7 (240/180) | 380 | 392 | 232 | 260 | 218 | 180 | 184 | 297 | 259 | 67 | 395 | 67 | 36 | 33 | 383 | 35 | 7 | 79 | 390 | 20 |
| CBP-9/9 (240/240) | 380 | 392 | 300 | 260 | 218 | 180 | 184 | 297 | 327 | 67 | 395 | 67 | 36 | 33 | 383 | 35 | 7 | 60 | 420 | 20 |
| CBP-10/8 (270/200) | 422 | 441 | 266 | 289 | 247 | 213 | 201 | 339 | 293 | 67 | 448 | 65 | 38 | 38 | 423 | 39 | 7 | 62 | 390 | 20 |
| CBP-10/10 (270/270) | 422 | 441 | 333 | 289 | 247 | 213 | 201 | 339 | 360 | 67 | 448 | 65 | 38 | 38 | 423 | 39 | 7 | 63,5 | 460 | 20 |
| CBP-12/9 (320/240) | 493 | 524 | 311 | 341 | 293 | 240 | 229 | 407 | 338 | 67 | 530 | 70 | 38 | 38 | 499 | 42 | 7 | 59,5 | 430 | 25 |
| CBP-12/12 (320/320) | 493 | 524 | 396 | 341 | 293 | 240 | 229 | 407 | 423 | 67 | 530 | 70 | 38 | 38 | 499 | 42 | 7 | 70 | 536 | 25 |
| CBP-15/15 (380/380) | 573 | 613 | 473 | 403 | 343 | 270 | 267 | 494 | 500 | 64 | 624 | 69 | 38 | 44 | 576 | 48 | 7 | 71 | 615 | 25 |
| CBP-18/18 (460/460) | 685 | 743 | 556 | 479 | 418 | 290 | 314 | 608 | 583 | 36 | 753 | 52 | 42 | 89 | 689 | 94 | 7 | 68 | 692 | 25 |

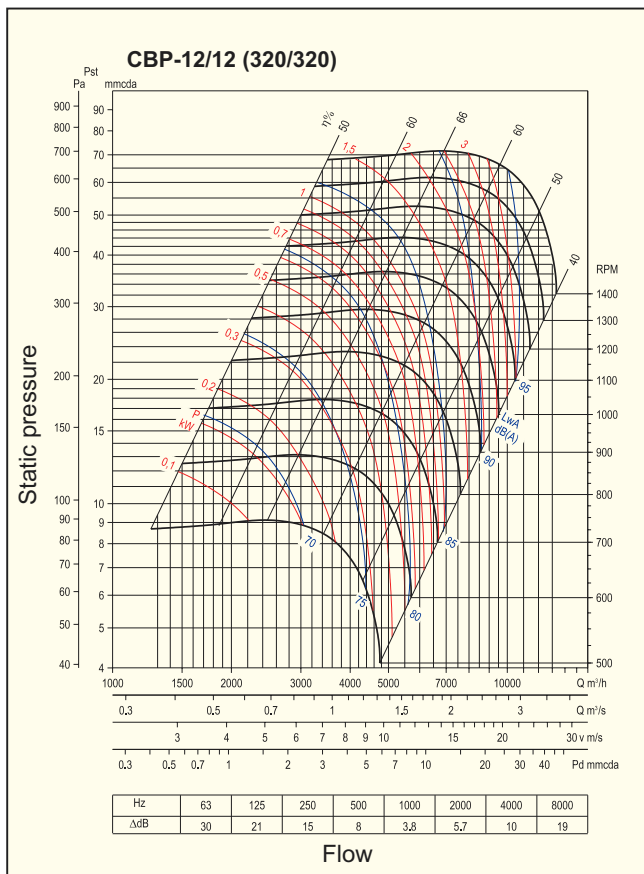
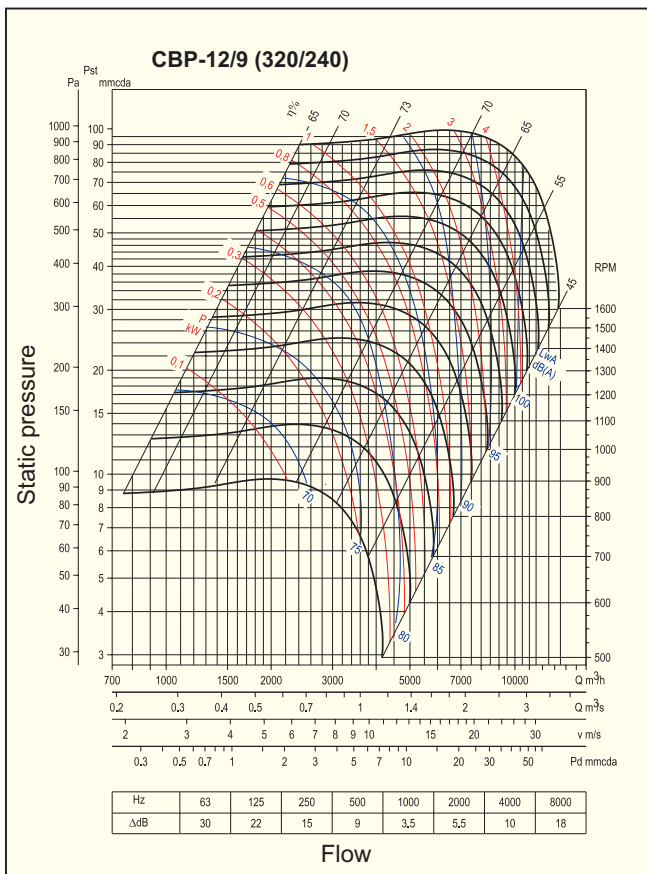
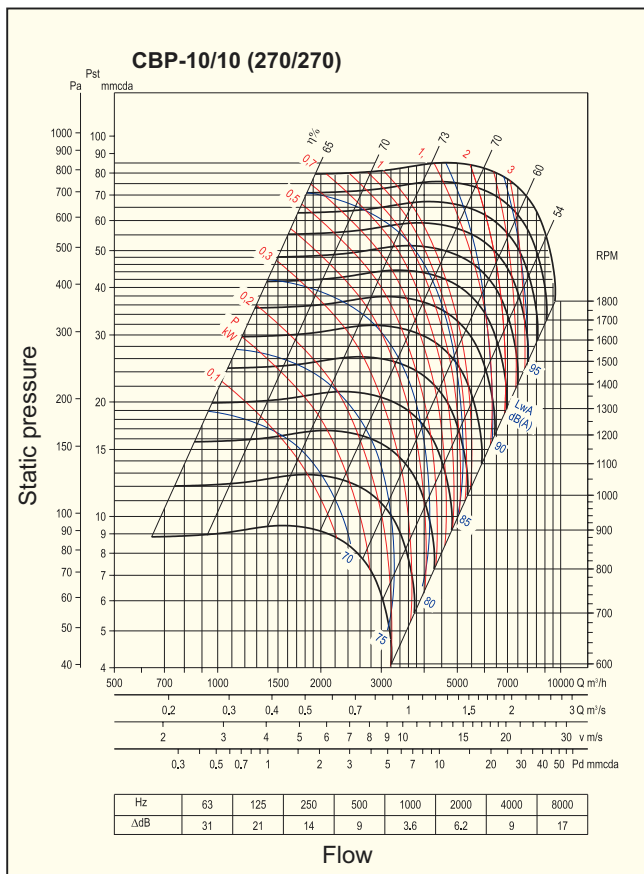
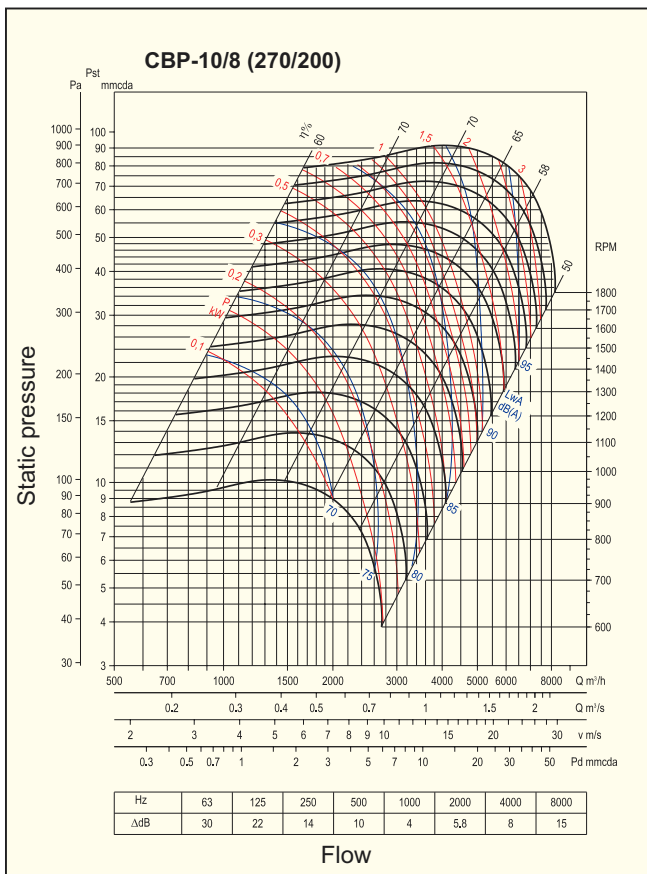
Accessories

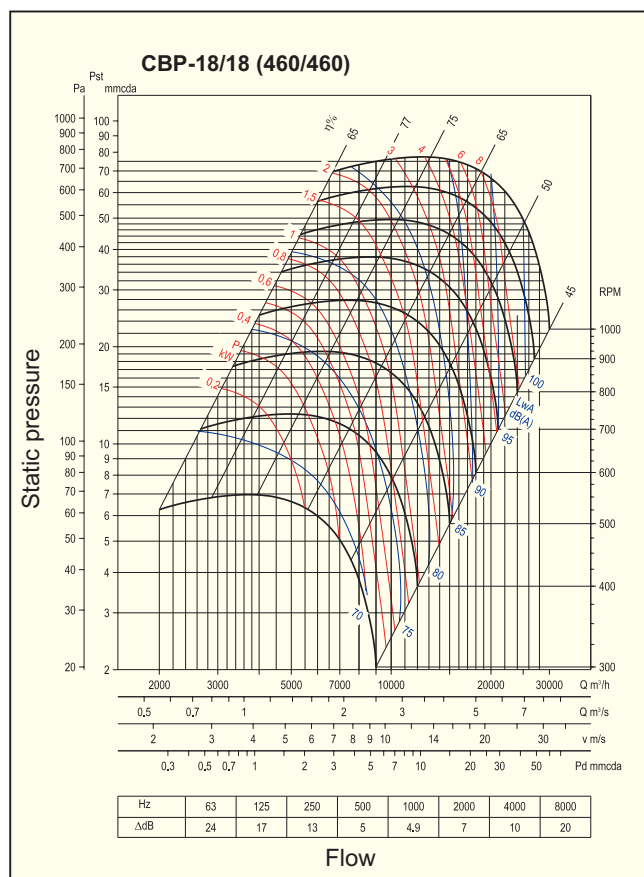
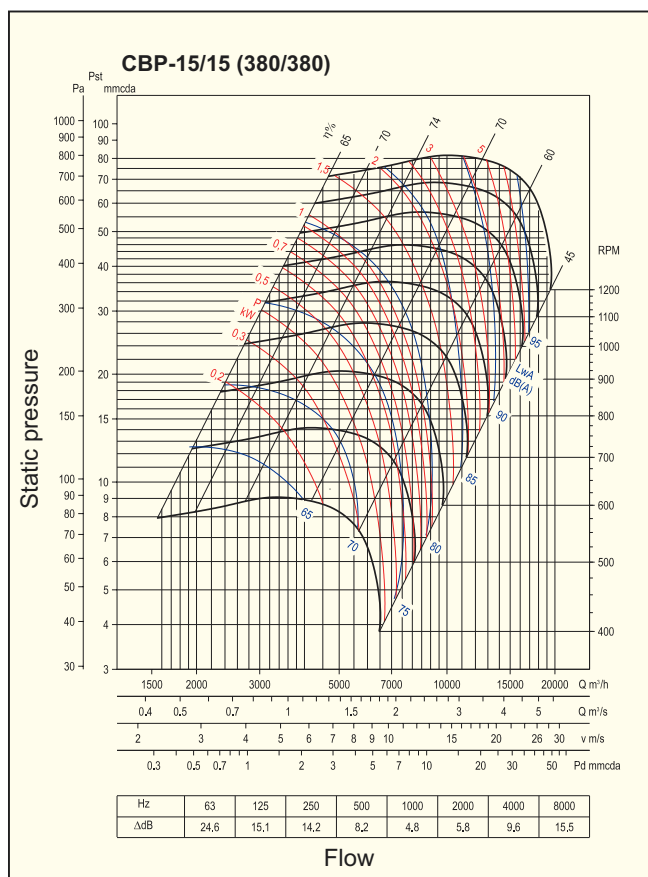


Mounting base

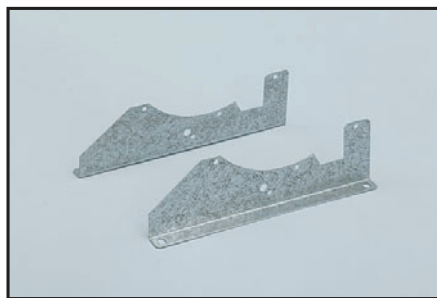
Performance curves





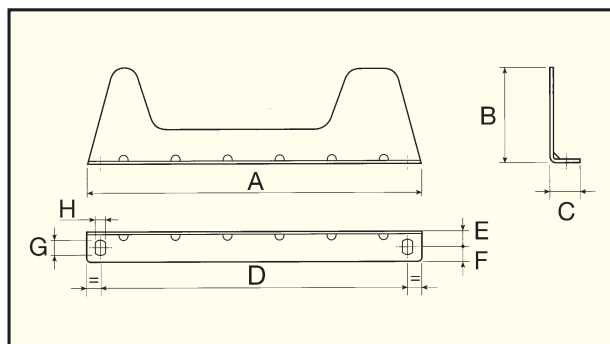


Mounting base

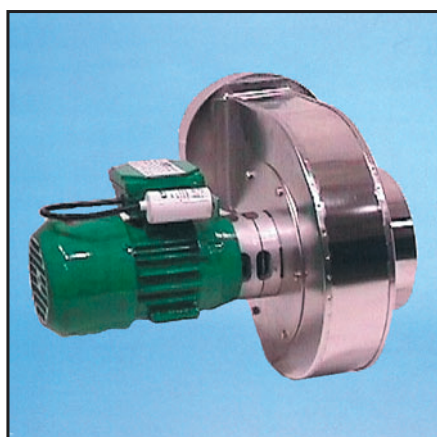


| Type | Size |
|---------------------|------|
| CBP-7/7 (180/180) | 180 |
| CBP-9/7 (240/180) | 240 |
| CBP-9/9 (240/240) | 240 |
| CBP-10/8 (270/200) | 270 |
| CBP-10/10 (270/270) | 270 |

| Type | Size |
|---------------------|------|
| CBP-12/9 (320/240) | 320 |
| CBP-12/12 (320/320) | 320 |
| CBP-15/15 (380/380) | 380 |
| CBP-18/18 (460/460) | 460 |



| Type | A | B | C | D | E | F | G | H |
|-------------------|-----|-----|----|-----|------|------|----|------|
| CBP-7/..(180/..) | 254 | 47 | 26 | 227 | 13,5 | 12,5 | 16 | 10,5 |
| CBP-9/..(240/..) | 325 | 102 | 26 | 297 | 13,5 | 12,5 | 16 | 10,5 |
| CBP-10/..(270/..) | 363 | 102 | 26 | 339 | 13,5 | 12,5 | 16 | 10,5 |
| CBP-12/..(320/..) | 434 | 144 | 26 | 407 | 13,5 | 12,5 | 16 | 10,5 |
| CBP-15/..(380/..) | 521 | 164 | 26 | 494 | 13,5 | 12,5 | 16 | 10,5 |
| CBP-18/..(460/..) | 635 | 186 | 26 | 608 | 13,5 | 12,5 | 16 | 10,5 |



Construction

Single inlet direct driven centrifugal fan with spiral formed casing of stainless acid proof steel. Impeller with forward curved blades of stainless acid proof steel. Temperature barrier allows max. temperature of 180°C.

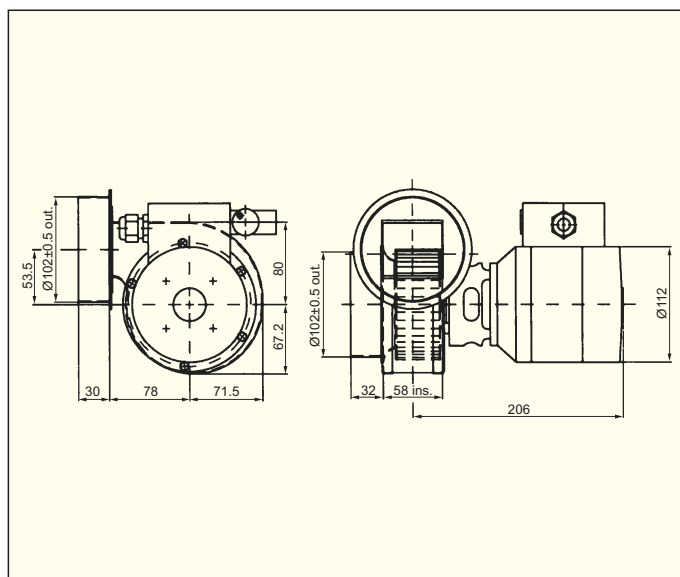
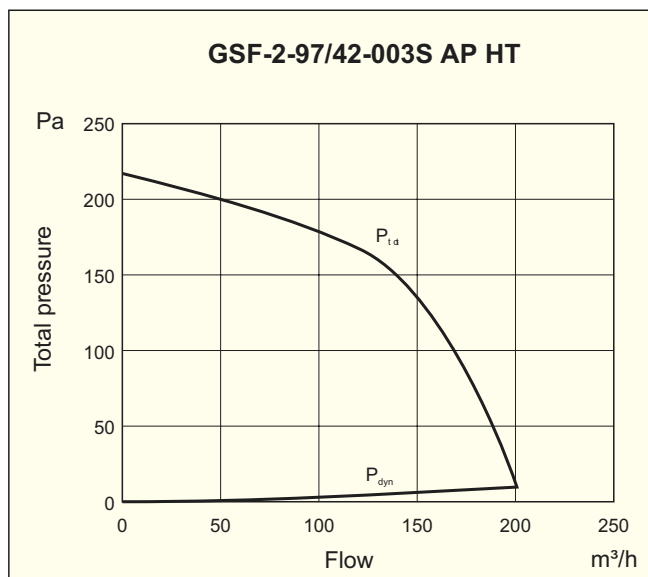
Motor

220-240/380-420V, 50Hz (380-420/660-690V over 3kW) three-phase asynchronous motor or 220-240V, 50Hz single-phase asynchronous motor with capacitor, in accordance with IEC72 and IEC43-1. Insulation class F, enclosure IP55. Special voltage or frequency, improved enclosure IP65 and explosion proof motor may be supplied on request.

Wiring diagram, see page 235.

Data

| Type | Motor power kW | Voltage V | Maximum current A | Maximum duty m ³ /h | Pressure (max) Pa | Weight kg | Article number |
|-------------------------|----------------|-----------|-------------------|--------------------------------|-------------------|-----------|----------------|
| GSF-2- 97/42-003S AP HT | 0,03 | 230 | 0,40 | 190 | 220 | 7 | 113 340 880 |
| GSF-2-120/52-008S AP HT | 0,08 | 230 | 0,75 | 530 | 360 | 8 | 113 340 920 |
| GSF-2-160/62-018S AP HT | 0,18 | 230 | 1,50 | 860 | 680 | 9 | 113 500 040 |
| GSF-2-180/62-055T AP HT | 0,55 | 400 | 1,35 | 1280 | 1050 | 9,8 | 113 500 050 |

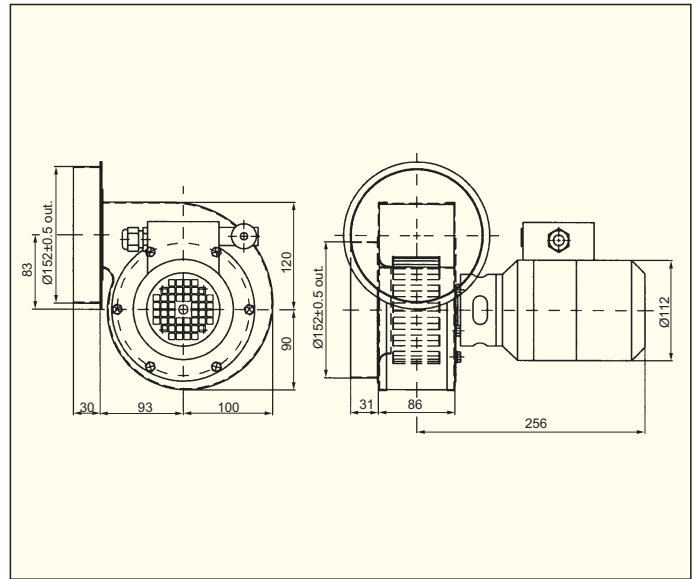
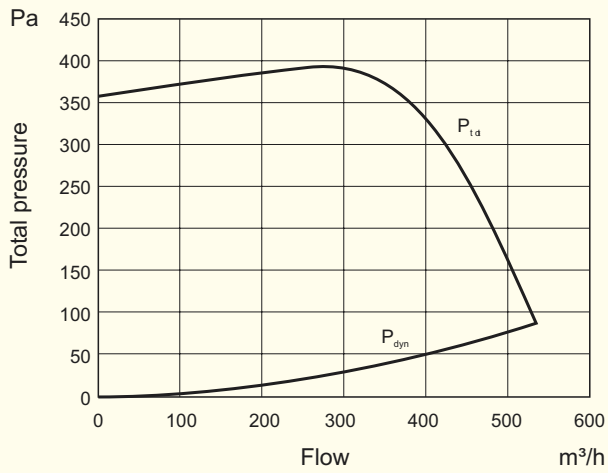


Accessories

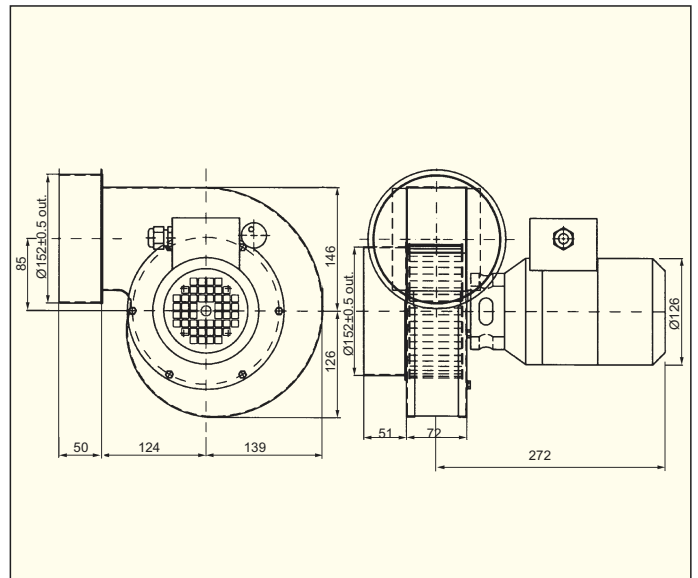
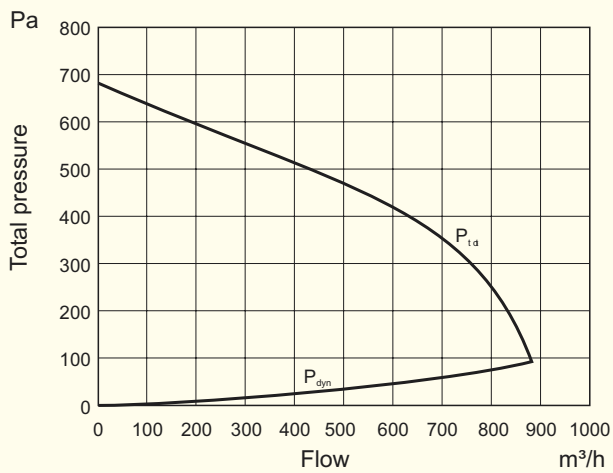


Mounting base

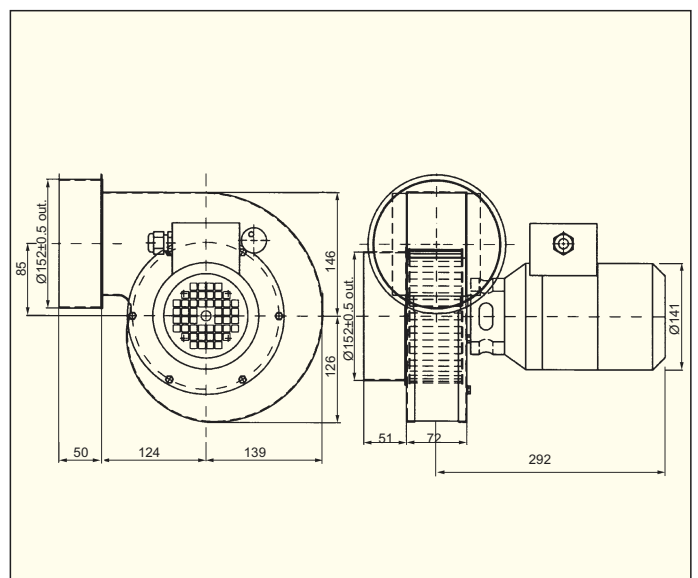
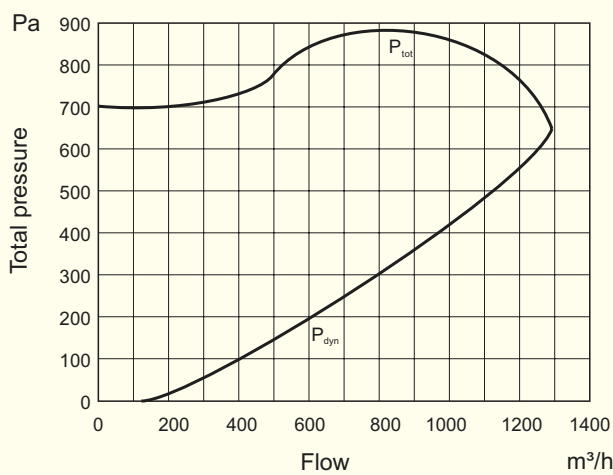
GSF-2-120/52-008S AP HT

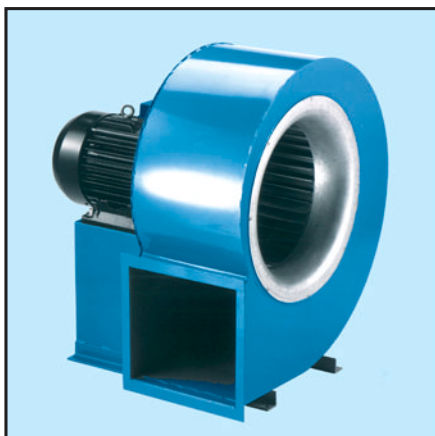


GSF-2-160/62-018S AP HT



GSF-2-180/62-055T AP HT





Construction

Single inlet direct driven centrifugal fan with spiral formed casing of steel sheet, powder coated RAL5010.

Impeller with forward curved blades (type F) in galvanized steel sheet. V-belt driven fans can be supplied on request.

Motor

220-240/380-420V, 50Hz (380-420/660-690V over 3kW) three-phase or 220-240V, 50Hz single-phase asynchronous motor with capacitor. Enclosure IP55, insulation class F. Special voltage or frequency, insulation class, enclosure IP65, 2-speed motors and explosion proof motors may be supplied on request.

Wiring diagram, see page 235.

Accessories

Wire guards, inlet and outlet fittings.

Data

| Type | Motor power | Voltage | Maximum current | Maximum duty | Pressure (max) | Sound level* | Weight | Article number |
|--------------------|-------------|---------|-----------------|-------------------|----------------|--------------|--------|----------------|
| | kW | V | A | m ³ /h | Pa | dB(A) | kg | |
| GSF-2-133/62-009T | 0,09 | 230/400 | 0,53/0,30 | 490 | 470 | 71 | 4 | 113 340 950 |
| GSF-2-140/62-025T | 0,25 | 230/400 | 1,27/0,65 | 690 | 530 | 72 | 6 | 113 350 001 |
| GSF-2-140/62-025S | 0,25 | 230 | 2,20 | 690 | 530 | 72 | 7 | 113 350 051 |
| GSF-2-146/62-037T | 0,37 | 230/400 | 1,80/1,05 | 730 | 580 | 74 | 7 | 113 350 151 |
| GSF-2-146/62-037S | 0,37 | 230 | 2,9 | 730 | 580 | 74 | 8 | 113 350 171 |
| GSF-2-160/75-055T | 0,55 | 230/400 | 2,35/1,35 | 1250 | 710 | 76 | 8 | 113 350 201 |
| GSF-2-160/75-055S | 0,55 | 230 | 4,0 | 1250 | 710 | 76 | 10 | 113 350 251 |
| GSF-2-180/85-075T | 0,75 | 230/400 | 3,10/1,70 | 1050 | 870 | 78 | 8 | 113 350 301 |
| GSF-2-180/85-075S | 0,75 | 230 | 4,9 | 1050 | 870 | 78 | 10 | 113 350 311 |
| GSF-2-180/85-110T | 1,10 | 230/400 | 4,45/2,45 | 1400 | 870 | 78 | 9 | 113 350 351 |
| GSF-2-180/85-110S | 1,10 | 230 | 7,1 | 1400 | 870 | 78 | 11 | 113 350 361 |
| GSF-6-450/203-400T | 4,00 | 400/690 | 9,00/5,20 | 9500 | 750 | 80 | 105 | 113 351 551 |
| GSF-6-450/203-550T | 5,50 | 400/690 | 12,0/6,95 | 11700 | 750 | 80 | 115 | 113 351 552 |

* - in the middle of the performance curve.

Accessories

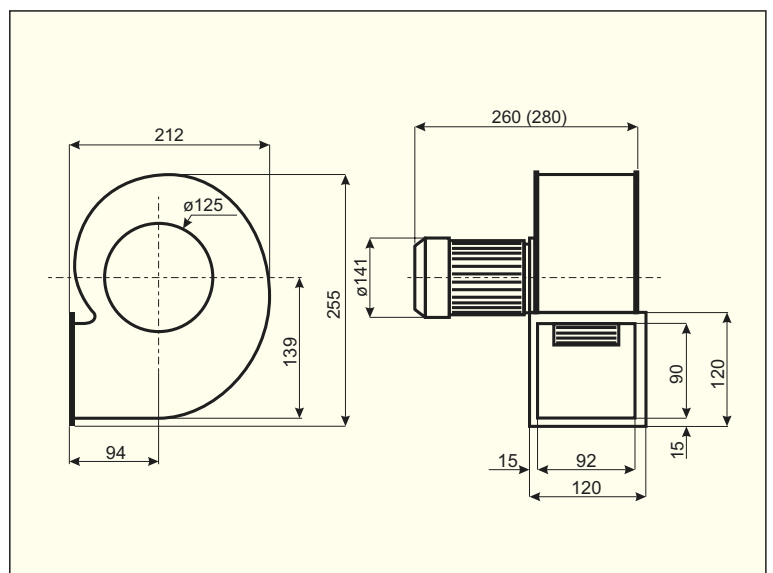
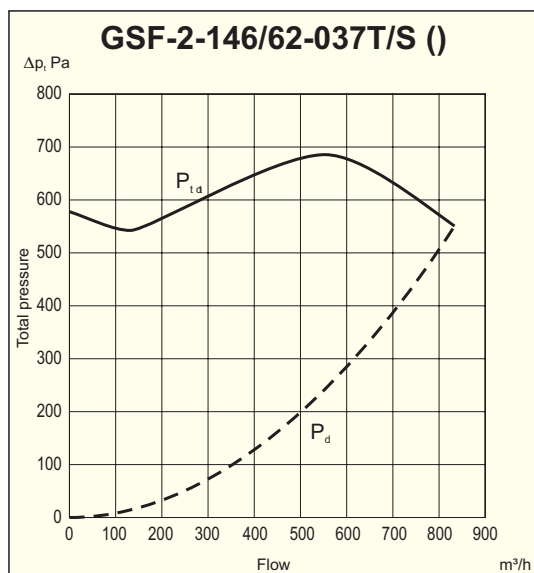
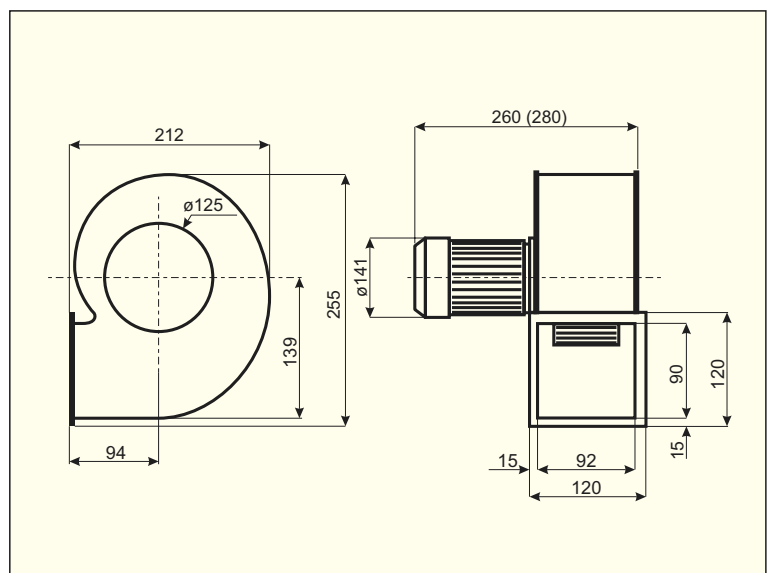
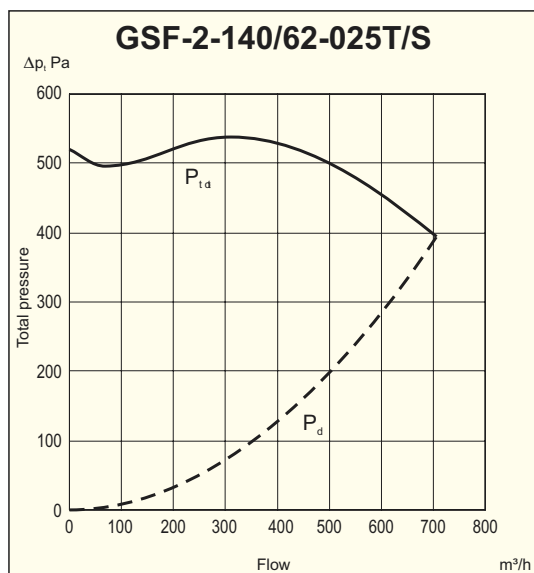
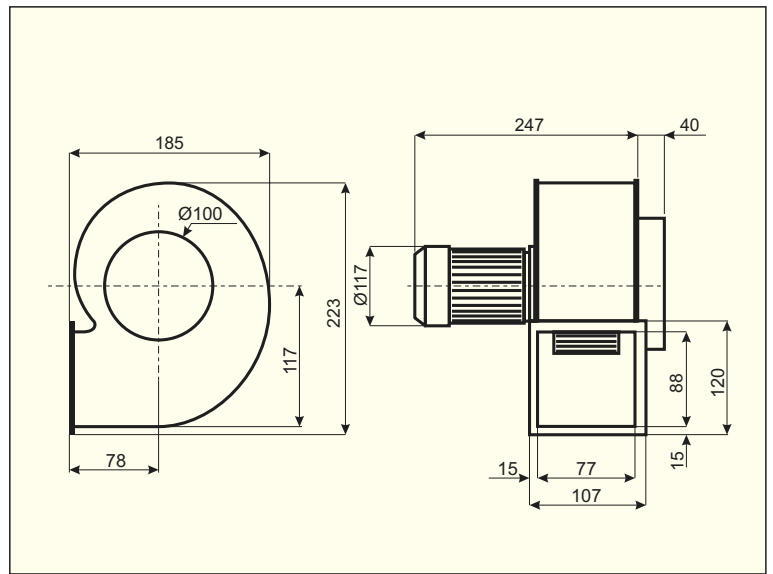
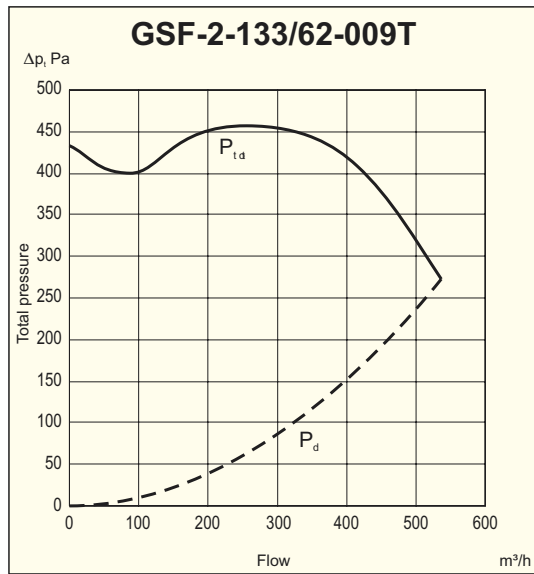


Protection guard outlet

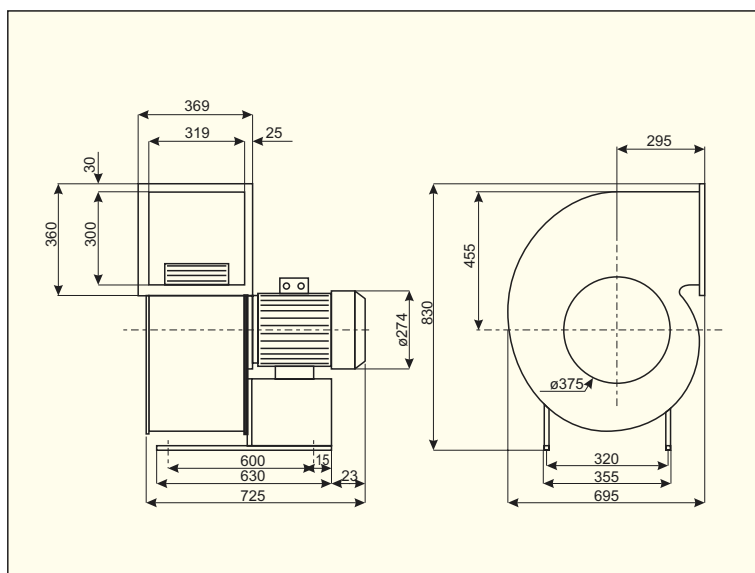
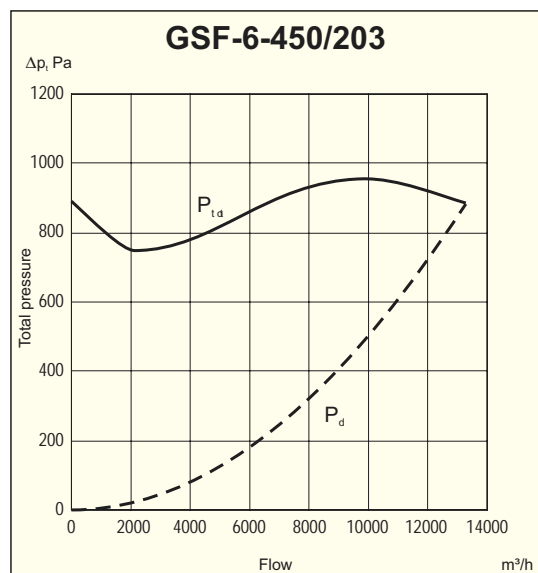
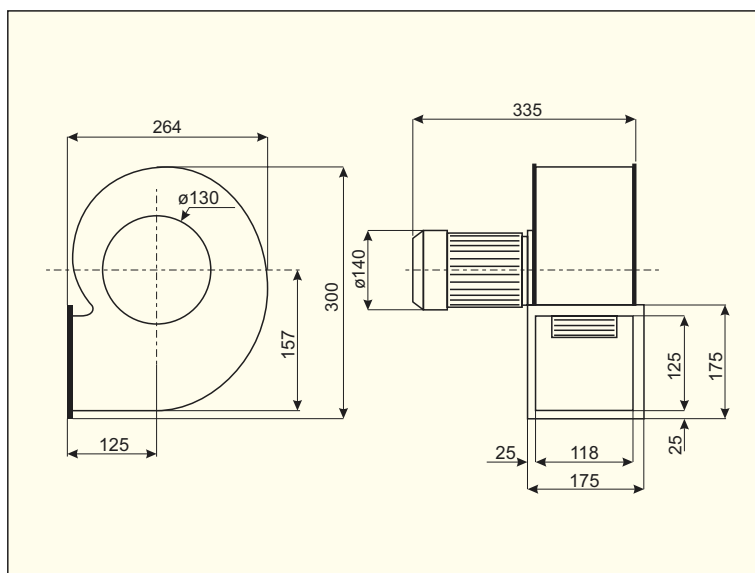
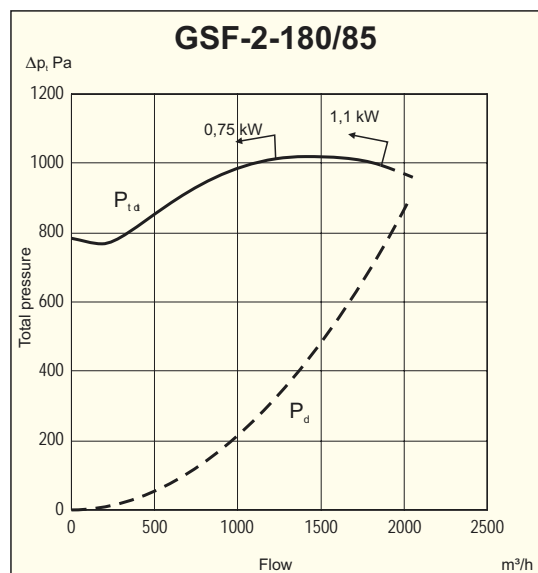
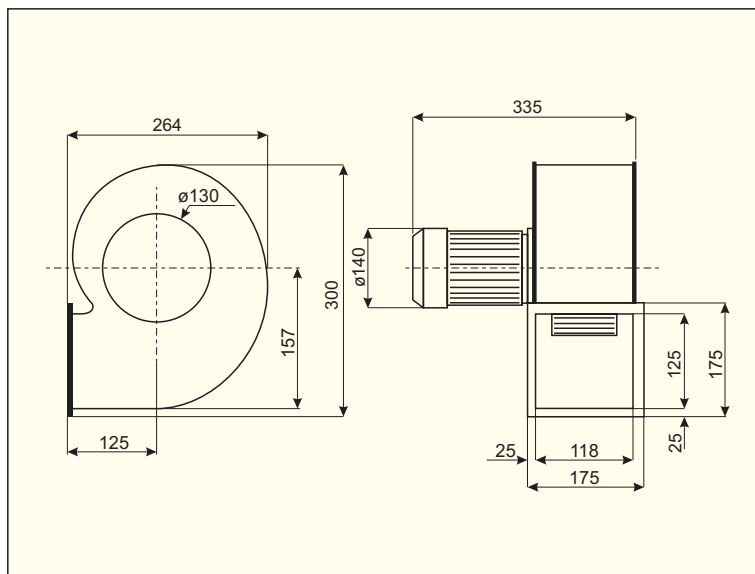
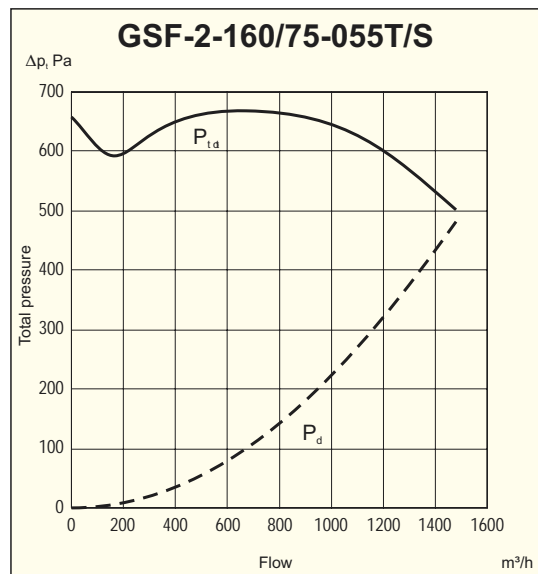


Connector outlet

Performance curves



Performance curves





Construction

Single inlet direct driven centrifugal fan with rectangular formed casing of steel sheet, powder coated RAL5010. Impeller with forward curved blades (type F) in galvanized steel sheet. V-belt driven fans can be supplied on request.

Motor

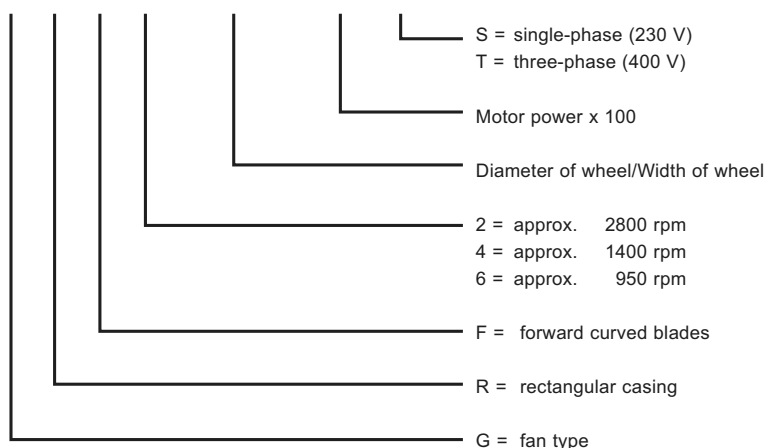
220-240/380-420V, 50Hz (380-420/660-690V above 3kW) three-phase asynchronous motor. Enclosure IP55, insulation class F. Special voltage or frequency, insulation class, enclosure IP65, 2-speed motors and explosion proof motors can be supplied on request.

Wiring diagram, see page 235.



Model numbering system

G R F - 2 - 200/74 - 150 T



Data

| Type | Motor power kW | Speed rpm | Maximum current A | Voltage V | Maximum duty m³/h | Sound pressure level dB (A) | Weight kg | Article number |
|--------------------|-------------------|--------------|----------------------|--------------|----------------------|--------------------------------|--------------|----------------|
| GRF-2-200/ 74-110T | 1,10 | 2800 | 4,3/2,5 | 230/400 Y | 2000 | 73 | 13 | 113 350 451 |
| GRF-2-200/ 74-150T | 1,50 | 2800 | 3,40 | 400 Y | 3150 | 89 | 15 | 113 350 460 |
| GRF-2-224/104-220T | 2,20 | 2800 | 8,0/4,6 | 230/400 | 2600 | 76 | 23 | 113 350 501 |
| GRF-2-224/104-300T | 3,00 | 2800 | 6,50 | 400 Y | 3800 | 92 | 25 | 113 350 511 |
| GRF-2-280/103-550T | 5,50 | 2800 | 10,0/6,50 | 400/690 | 4400 | 86 | 65 | 113 350 651 |
| GRF-2-280/103-750T | 7,50 | 2800 | 14,00 | 400 Δ | 6200 | 99 | 70 | 113 350 671 |
| GRF-4-280/103-075T | 0,75 | 1400 | 3,3/1,90 | 230/400 Y | 2600 | 79 | 19 | 113 351 001 |
| GRF-4-280/103-075S | 0,75 | 1400 | 5,10 | 230 | 2600 | 70 | 21 | 113 351 051 |
| GRF-4-280/103-110T | 1,10 | 1400 | 4,6/2,7 | 230/400 Y | 2900 | 71 | 22 | 113 351 061 |
| GRF-4-315/143-220T | 2,20 | 1400 | 9,0/4,80 | 230/400 Y | 5400 | 72 | 36 | 113 351 101 |
| GRF-4-400/183-550T | 5,50 | 1400 | 11,3/6,5 | 400/690 | 9300 | 92 | 88 | 113 351 161 |
| GRF-4-400/183-750T | 7,50 | 1400 | 14,40 | 400 Δ | 12000 | 98 | 88 | 113 351 171 |

Accessories



Protection guard outlet

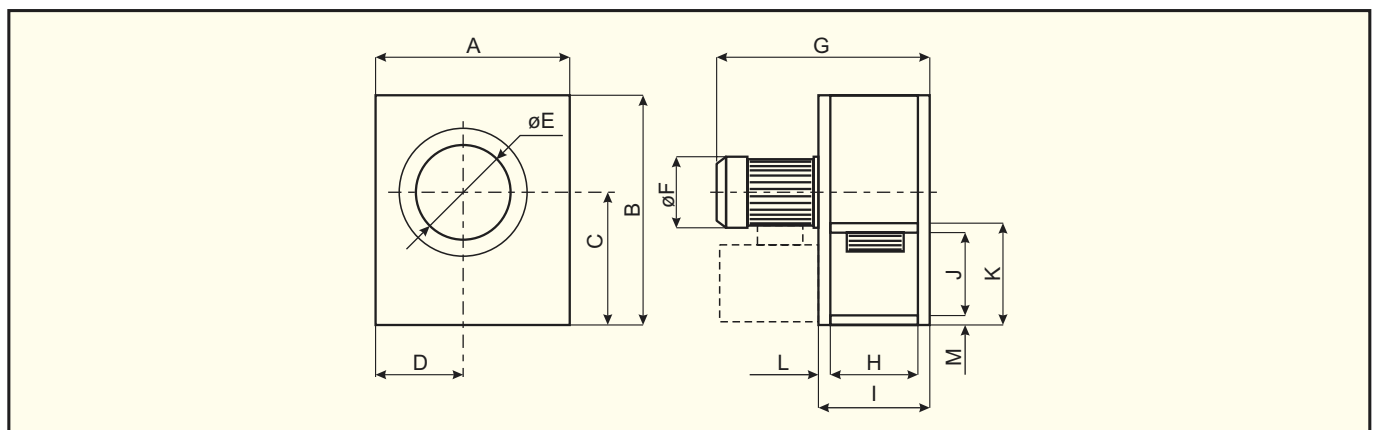


Connector outlet

Dimensions in mm

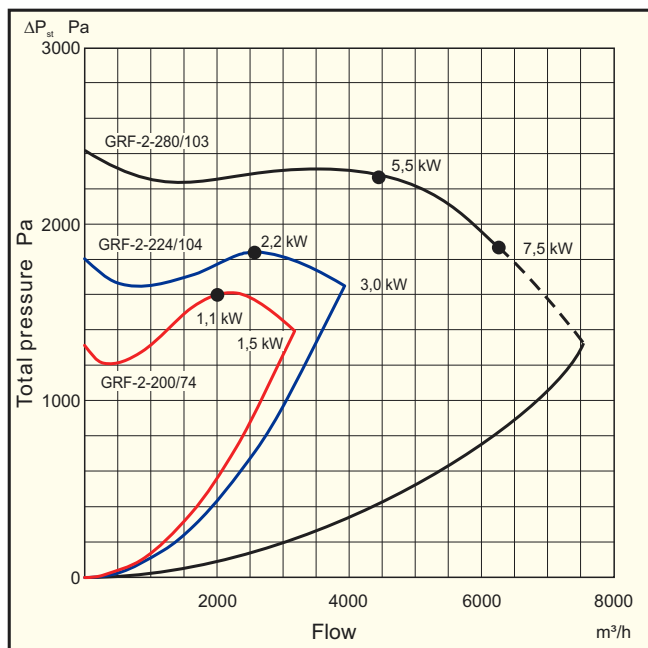
| Type | A | B | C | D | E | F | G | H | I | J | K | L | M |
|----------------------|-----|-----|-----|-----|-----|-----|-----|-----|-----|-----|-----|----|----|
| GRF-2-200/ 74-150T | 335 | 394 | 227 | 141 | 167 | 157 | 383 | 128 | 178 | 138 | 168 | 25 | 15 |
| GRF-2-224/ 104-300T | 335 | 394 | 227 | 141 | 187 | 178 | 451 | 148 | 198 | 138 | 168 | 25 | 15 |
| GRF-2-280/103-750T * | 410 | 470 | 262 | 180 | 236 | 226 | 570 | 182 | 232 | 160 | 190 | 25 | 15 |
| GRF-4-280/103-075T | 410 | 470 | 262 | 180 | 236 | 157 | 437 | 182 | 232 | 160 | 190 | 25 | 15 |
| GRF-4-280/103-075S | 410 | 470 | 262 | 180 | 236 | 157 | 437 | 182 | 232 | 160 | 190 | 25 | 15 |
| GRF-4-315/143-220T | 500 | 596 | 354 | 211 | 265 | 198 | 575 | 228 | 278 | 246 | 276 | 25 | 15 |
| GRF-4-400/183-750T * | 649 | 764 | 440 | 270 | 334 | 226 | 659 | 289 | 339 | 276 | 306 | 25 | 15 |

Fan with motor stand

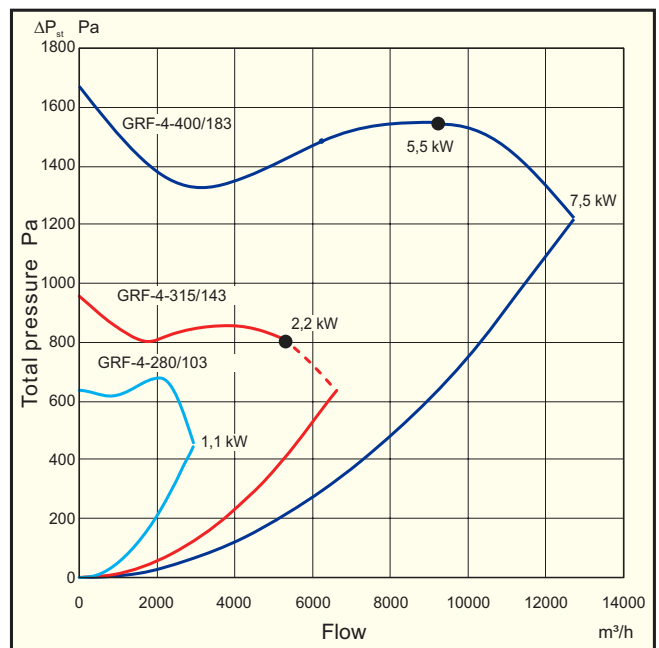


Performance curves

GRF-2



GRF-4





Construction

Single inlet direct driven centrifugal fan with spiral formed casing in cast aluminium. Impellers with forward curved blades type F in galvanized steel sheet. GSFG is as standard delivered with LG design and wire guard on inlet.

Motor

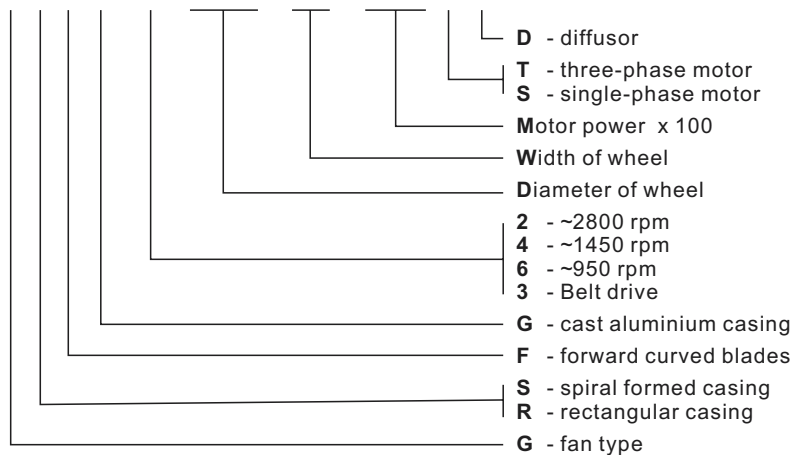
220-240/380-420V, 50Hz (380-420/660-690V above 3kW) three-phase or 220-240V, 50Hz single-phase asynchronous motor with squirrel cage rotor. Enclosure IP55, insulation class F. Special voltage or frequency, insulation class, improved enclosure IP65, 2-speed motors and explosion proof motor can be supplied on request.

Wiring diagram, see page 235.



Model numbering system

GSFG-2-108/42-030T□

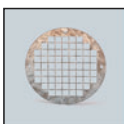


Data

| Type | Motor power kW | Voltage V | Maximum current A | Maximum duty m³/h | Pressure (max) Pa | Sound level* dB(A) | Weight kg | Article number |
|---------------------|----------------|-----------|-------------------|-------------------|-------------------|--------------------|-----------|----------------|
| GSFG-2-108/42-005T | 0,05 | 230/400 | 0,37/0,25 | 190 | 330 | 59 | 3,5 | 113 500 120 |
| GSFG-2-108/42-003S | 0,03 | 230 | 0,40 | 190 | 330 | 59 | 3,9 | 113 500 125 |
| GSFG-2-133/62-018T | 0,18 | 230/400 | 1,07/0,55 | 600 | 430 | 69 | 6,2 | 113 500 155 |
| GSFG-2-133/62-018S | 0,18 | 230 | 1,65 | 600 | 430 | 69 | 6,6 | 113 500 157 |
| GSFG-2-146/62-025T | 0,25 | 230/400 | 1,27/0,8 | 770 | 630 | 70 | 6,5 | 113 500 160 |
| GSFG-2-146/62-025S | 0,25 | 230 | 1,93 | 770 | 630 | 70 | 6,5 | 113 500 170 |
| GSFG-2-160/75-037T | 0,37 | 230/400 | 1,76/1,02 | 1100 | 750 | 71 | 7,5 | 113 500 181 |
| GSFG-2-160/75-037S | 0,37 | 230 | 2,90 | 1110 | 750 | 71 | 9,0 | 113 500 191 |
| GSFG-2-180/62-055T | 0,55 | 230/400 | 2,35/1,35 | 1280 | 1050 | 77 | 8,0 | 113 500 201 |
| GSFG-2-180/62-055S | 0,55 | 230 | 4,00 | 1280 | 1050 | 77 | 10,0 | 113 500 211 |
| GSFG-2-200/104-220T | 2,20 | 230/240 | 8,0/4,6 | 3100 | 1370 | 82 | 28,0 | 113 500 230 |
| GSFG-2-225/104-220T | 2,20 | 230/400 | 8,0/4,6 | 2800 | 1800 | 86 | 29,0 | 113 500 500 |
| GSFG-2-225/104-300T | 3,00 | 230/400 | 11,4/6,5 | 3600 | 1800 | 88 | 31,0 | 113 500 510 |
| GSFG-2-250/114-550T | 5,50 | 400 | 11,60 | 5800 | 1950 | 82 | 58,0 | 113 500 600 |

* - in the middle of the performance curve.

Accessories



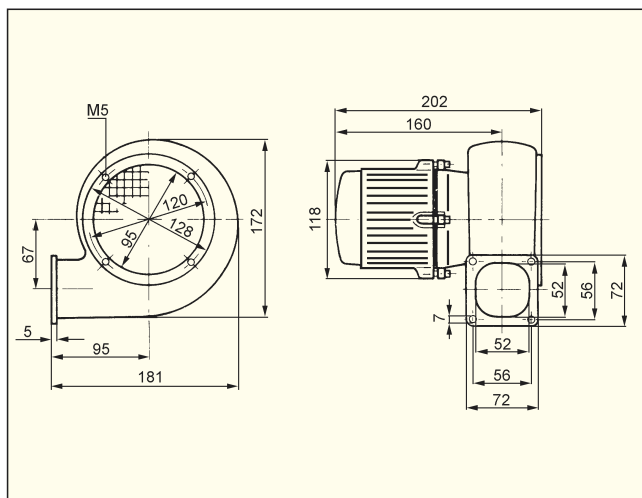
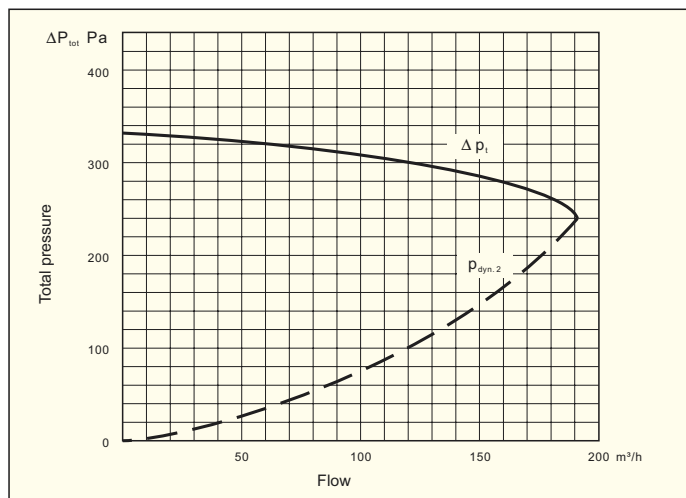
Protection guard inlet



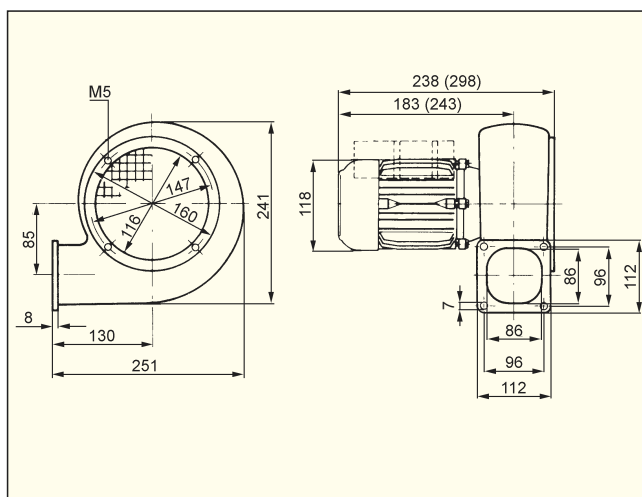
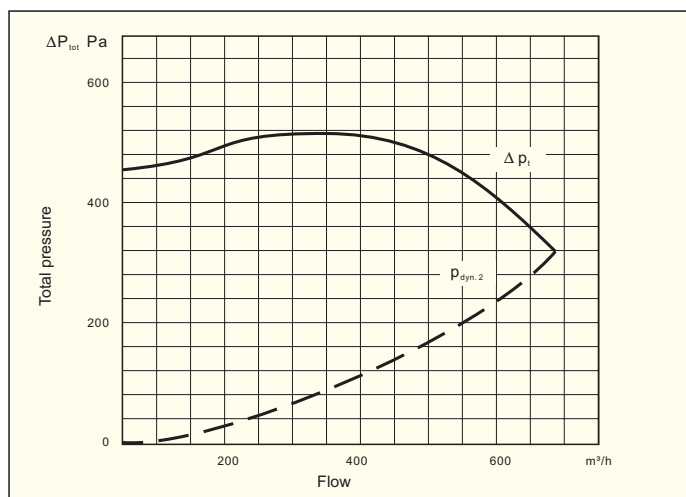
Connector outlet

Performance curves

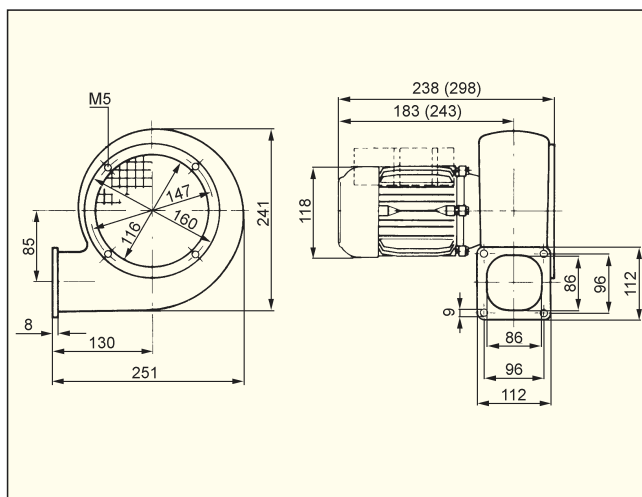
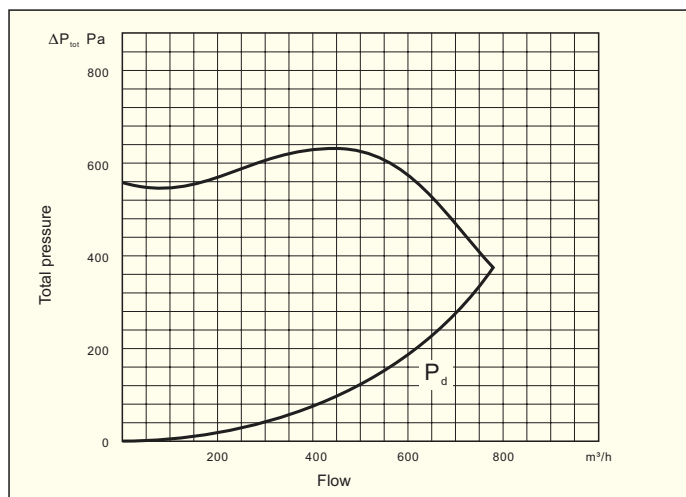
GSFG-2-108/42



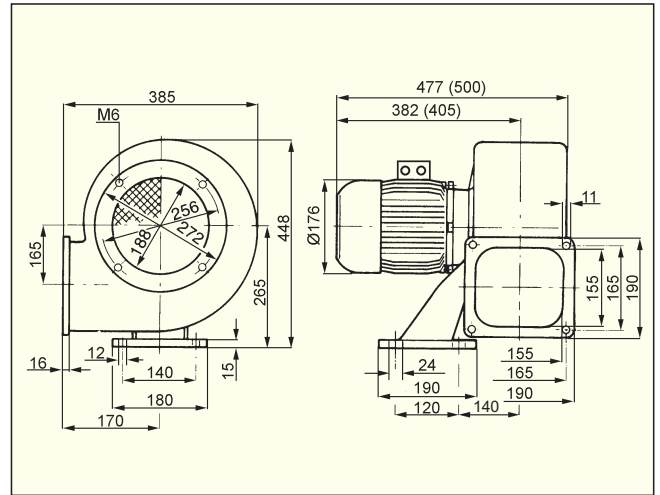
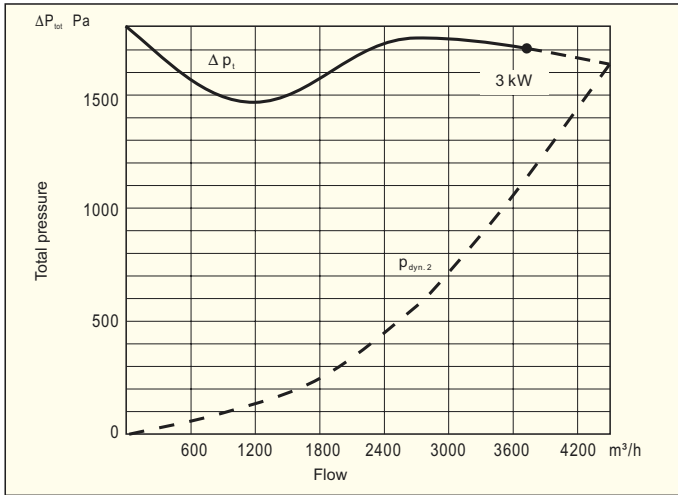
GSFG-2-133/62



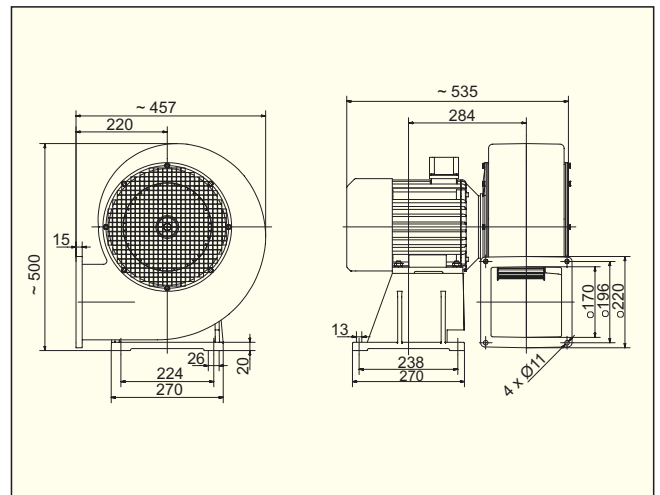
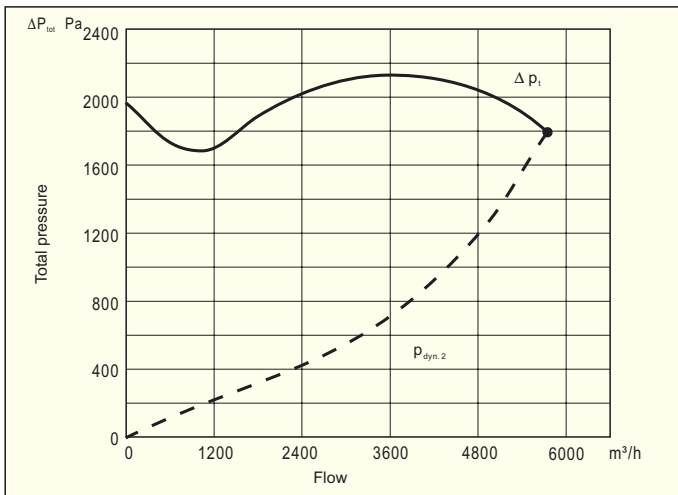
GSFG/2-146/62



GSFG-2-225/104



GSFG-2-250/114





Construction

Single inlet, direct driven centrifugal fan with casing of cast aluminium. Impeller with backward curved blades type B in aluminium sheet.

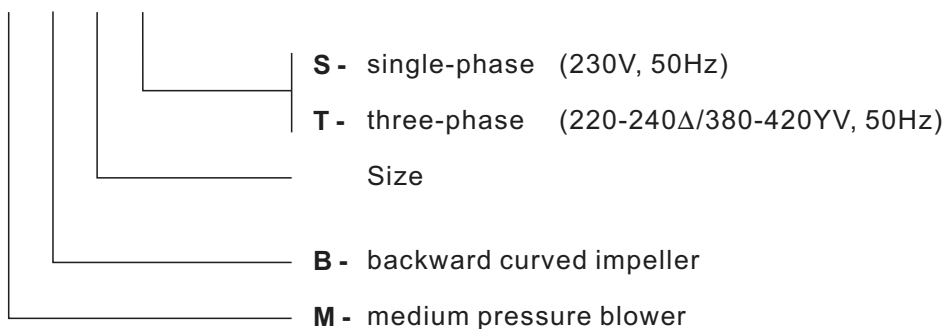
Motor

220-240/380-420V, 50Hz (380-420/660-690V above 3kW) three-phase or 220-240V, 50Hz single-phase asynchronous motor with squirrel cage rotor. Insulation class F, enclosure IP55. Special voltage or frequency, improved enclosure IP65, 2-speed motors and explosion proof motor can be supplied on request. Wiring diagram, see page 235.



Model numbering system

MPB 30 S

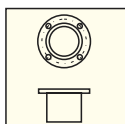


Technical specification

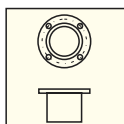
| Type | Rated output kW | Speed rpm | Rated current A | Voltage V | Maximum duty m³/h | Pressure max Pa | Sound level* dB(A) | Weight kg | Article number |
|-----------|-----------------|-----------|-----------------|-----------|-------------------|-----------------|--------------------|-----------|----------------|
| MPB 25 S | 0,12 | 2800 | 1,05 | 230 | 420 | 1080 | 70 | 8,5 | 113 600 020 |
| MPB 25 T | 0,12 | 2800 | 0,35 | 400Y | 420 | 1080 | 70 | 8,0 | 113 600 025 |
| MPB 30 S | 0,18 | 2760 | 1,50 | 230 | 700 | 1200 | 70 | 9,0 | 113 600 035 |
| MPB 30 T | 0,18 | 2800 | 0,55 | 400Y | 700 | 1200 | 70 | 8,5 | 113 600 030 |
| MPB 75 S | 0,55 | 2820 | 3,80 | 230 | 940 | 2510 | 74 | 16,5 | 113 600 190 |
| MPB 75 T | 0,55 | 2800 | 1,40 | 400Y | 940 | 2510 | 74 | 15,0 | 113 600 180 |
| MPB 110 S | 0,75 | 2820 | 4,90 | 230 | 1030 | 2320 | 78 | 20,0 | 113 600 230 |
| MPB 110 T | 0,75 | 2820 | 1,80 | 400Y | 1030 | 2320 | 78 | 18,5 | 113 600 220 |
| MPB 220 S | 1,50 | 2860 | 9,50 | 230 | 2000 | 3150 | 79 | 22,5 | 113 600 285 |
| MPB 220 T | 1,50 | 2860 | 3,40 | 400Y | 2000 | 3150 | 79 | 20,5 | 113 600 280 |
| MPB 280 T | 2,20 | 2860 | 4,60 | 400Y | 2500 | 3500 | 84 | 42,0 | 113 600 320 |
| MPB 300 S | 1,50 | 2860 | 9,50 | 230 | 2050 | 3250 | 79 | 25,0 | 113 600 360 |
| MPB 300 T | 1,50 | 2860 | 3,40 | 400Y | 2050 | 3250 | 79 | 23,0 | 113 600 350 |
| MPB 400 T | 3,00 | 2900 | 6,50 | 400Y | 3830 | 3900 | 84 | 60,0 | 113 600 400 |
| MPB 600 T | 11,00 | 2900 | 20,20 | 400 Δ | 5000 | 6000 | 90 | 83,0 | 113 600 600 |

* - in the middle of the performance curve, 1m from the fan.

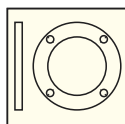
Accessories



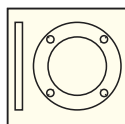
Connector suction side page 138



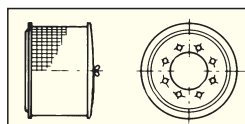
Connector pressure side page 138



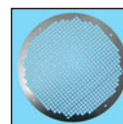
Welding flange suction side page 139



Welding flange pressure side page 139

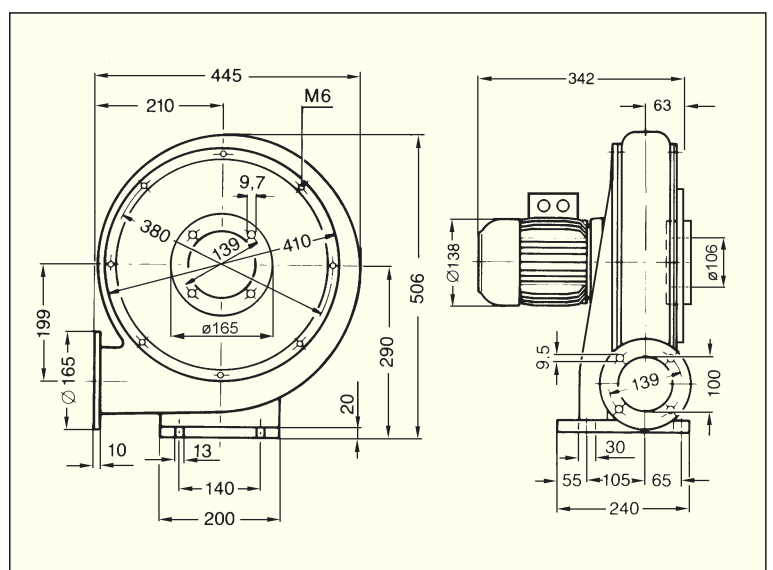
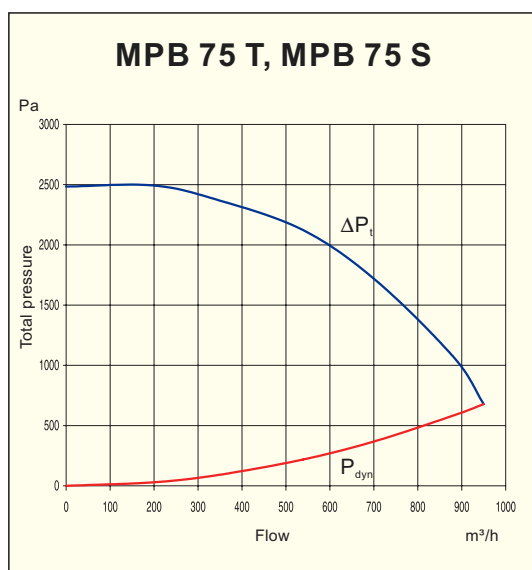
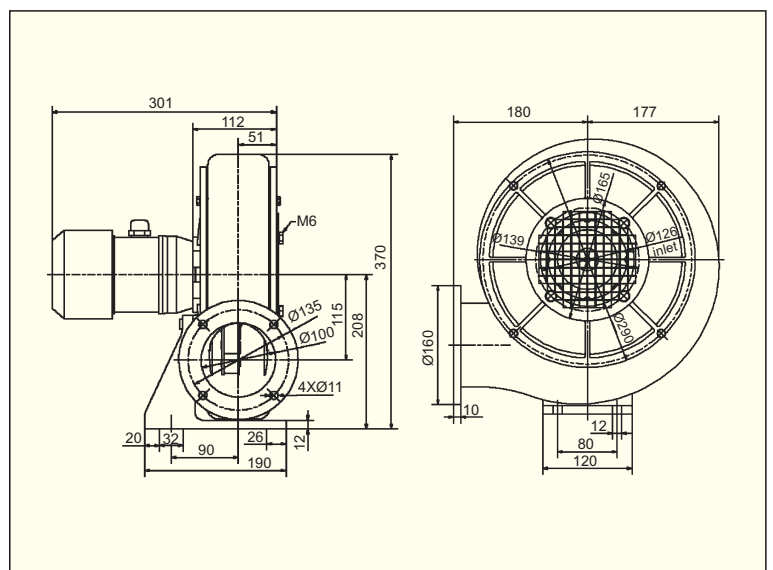
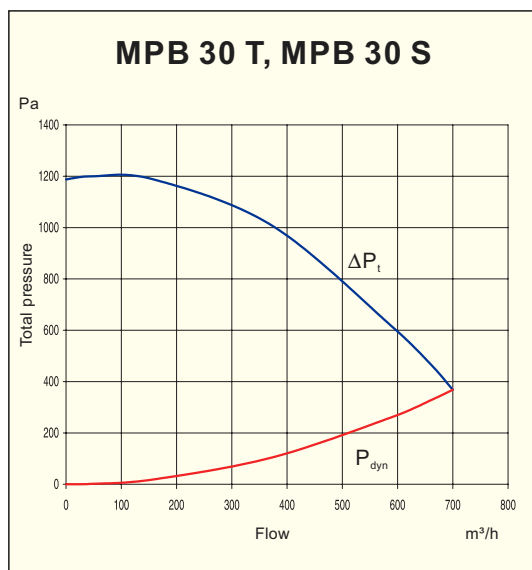
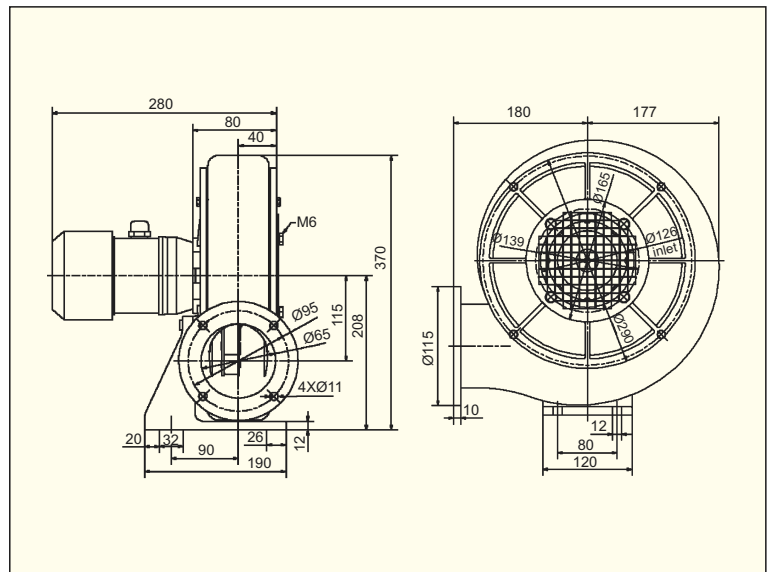
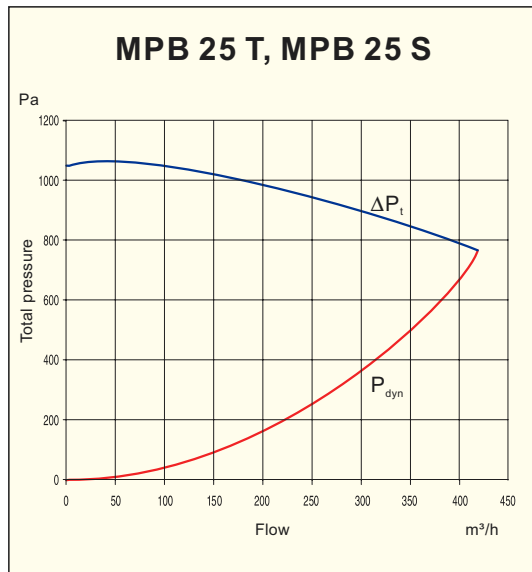


Filter suction side page 139

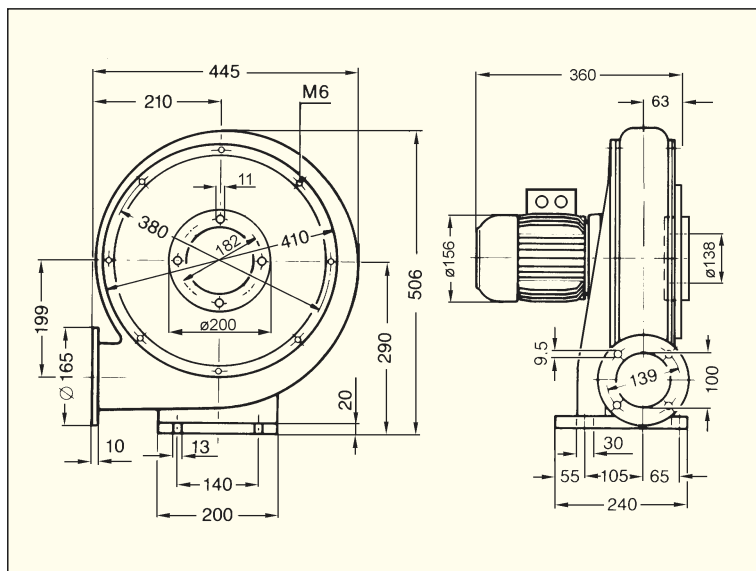
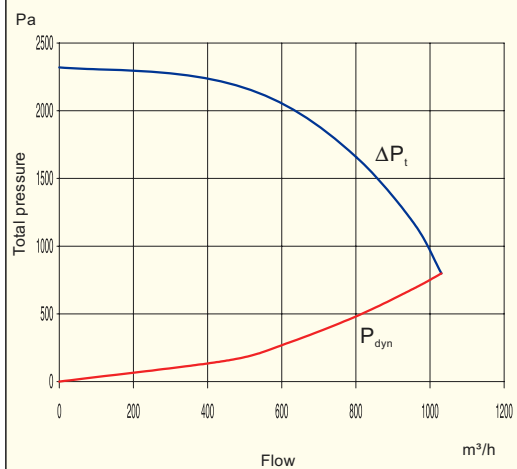


Protection net

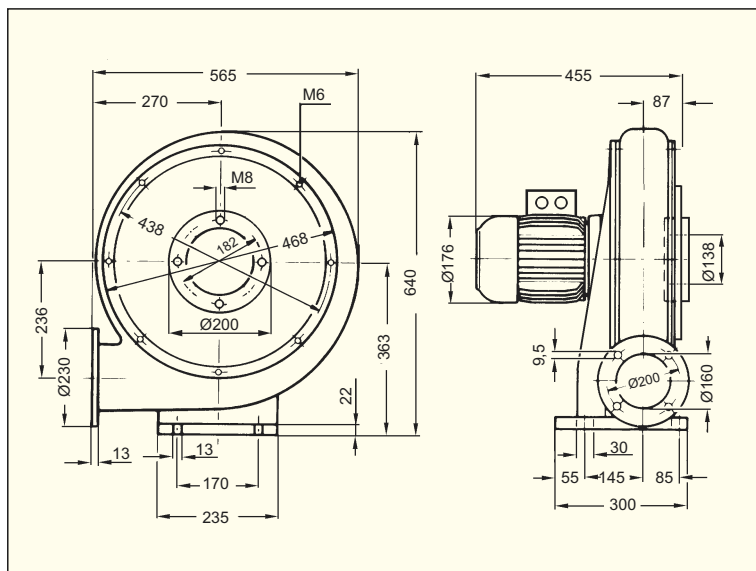
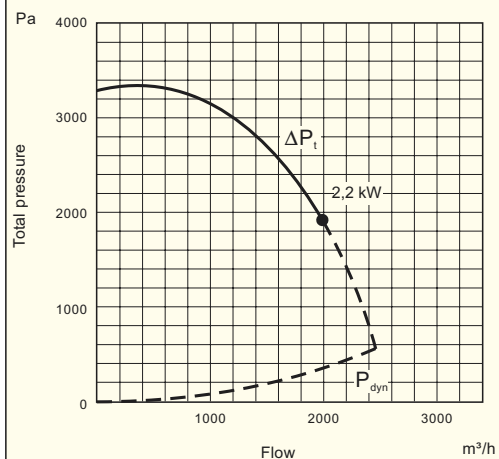
Performance curves



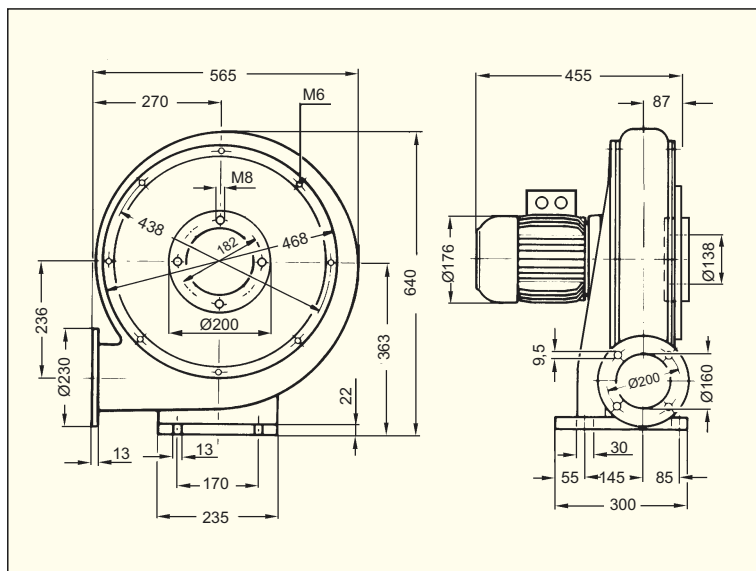
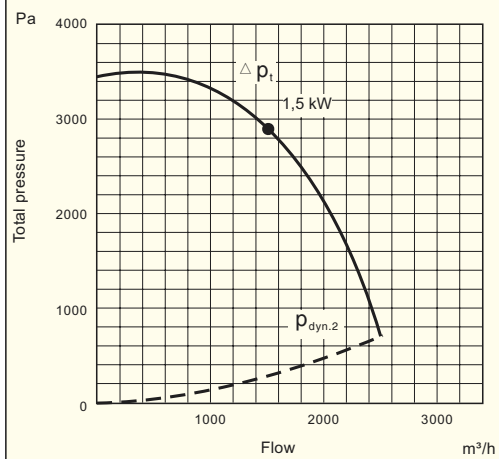
MPB110T, MPB110S



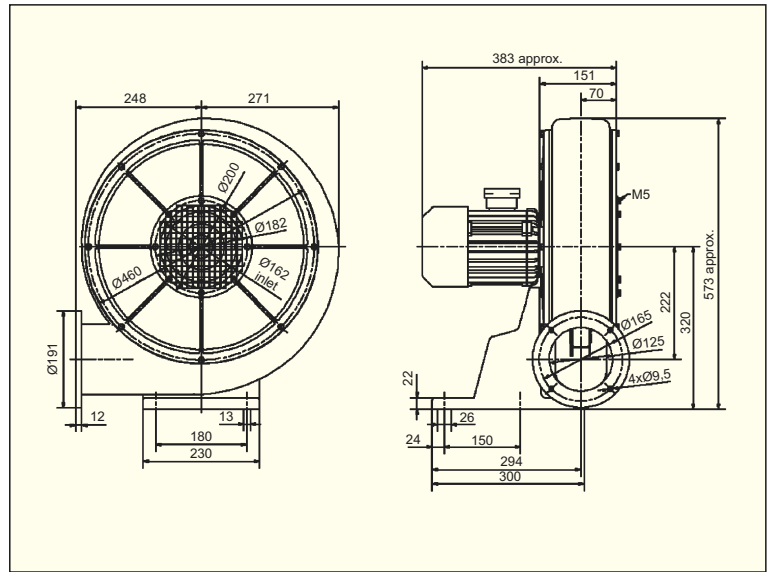
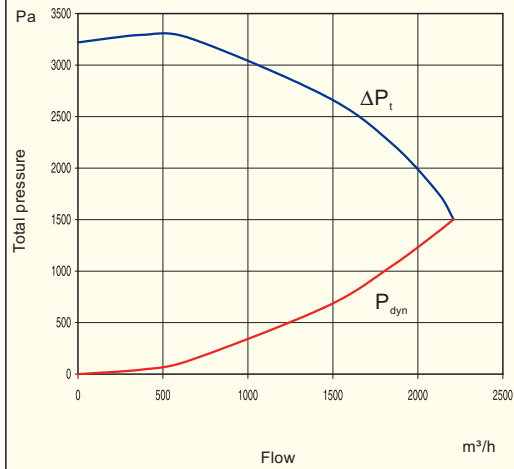
MPB220T, MPB220S



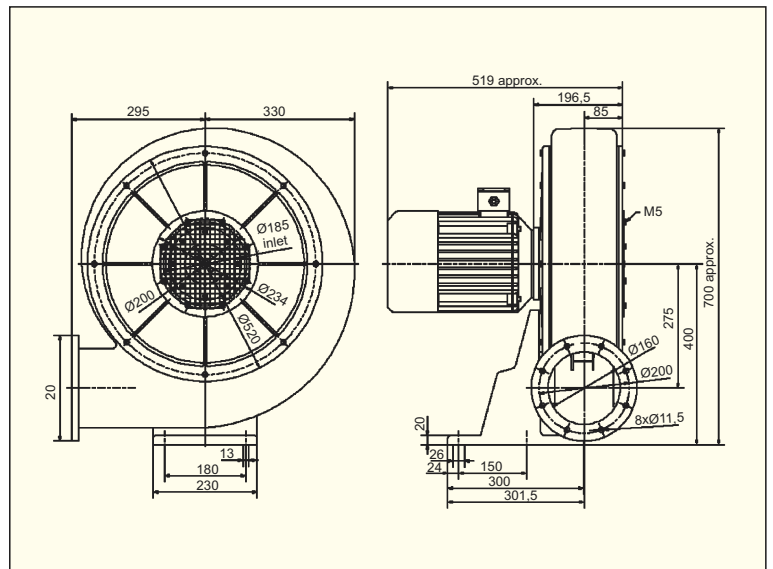
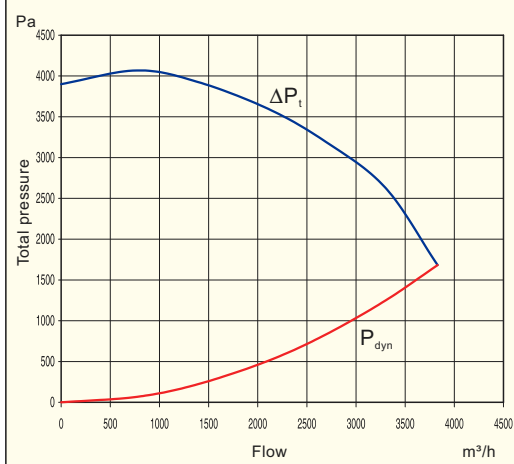
MPB280T



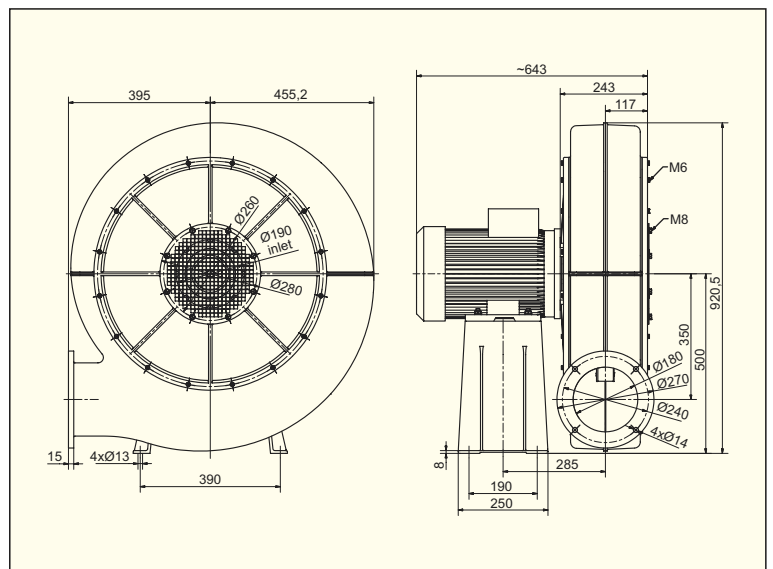
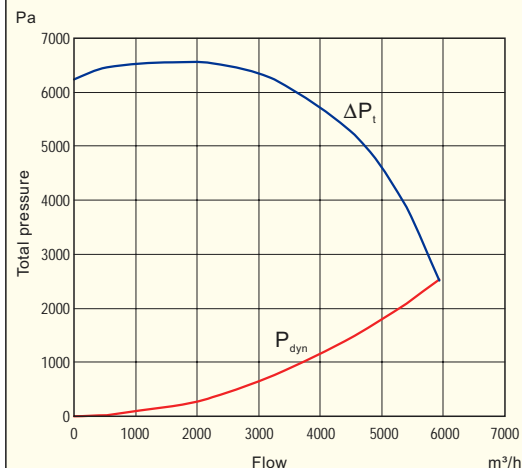
MPB300T, MPB300S



MPB 400 T



MPB 600 T





Construction

Single inlet, direct driven centrifugal fan with casing of cast aluminium. Impeller with backward curved, self cleaning blades type R, in aluminium sheet.

Motor

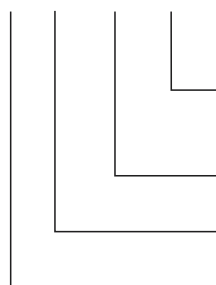
220-240/380-420V, 50Hz (380-420/660-690V above 3kW) three-phase or 220-240V, 50Hz single-phase asynchronous motor with squirrel cage rotor. Insulation class F, enclosure IP55. Special voltage or frequency, improved enclosure IP65, 2-speed motors and explosion proof motor can be supplied on request.

Wiring diagram, see page 235.



Model numbering system

MPR 300 S



single-phase (230V, 50Hz)

three-phase (220-240Δ/380-420YV, 50Hz)

size

impeller type R

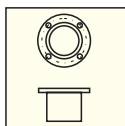
medium pressure blower

Data

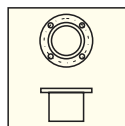
| Type | Rated output kW | Speed rpm | Rated current A | Voltage V | Maximum duty m ³ /h | Pressure max Pa | Sound level * dB(A) | Weight kg | Article number |
|----------|--------------------|--------------|--------------------|--------------|-----------------------------------|--------------------|------------------------|--------------|----------------|
| MPR 200T | 0,75 | 2800 | 1,7 | 230/400Y | 1250 | 2550 | 77 | 18 | 113 620 200 |
| MPR 200S | 0,75 | 2800 | 4,9 | 230 | 1250 | 2550 | 77 | 19 | 113 620 210 |
| MPR 260T | 1,1 | 2800 | 2,45 | 230/400Y | 1550 | 2550 | 78 | 18,5 | 113 620 260 |
| MPR 260S | 1,1 | 2800 | 7,1 | 230 | 1550 | 2550 | 78 | 20 | 113 620 265 |
| MPR 300T | 1,5 | 2820 | 3,4 | 230/400Y | 2240 | 3400 | 79 | 23 | 113 620 300 |
| MPR 300S | 1,5 | 2820 | 9,5 | 230 | 2240 | 3400 | 79 | 25 | 113 620 310 |
| MPR 400T | 4,0 | 2910 | 7,8 | 400Δ | 4080 | 4180 | 83 | 60 | 113 620 400 |
| MPR 600T | 11,0 | 2910 | 20,2 | 400 | 6500 | 6600 | 90 | 83 | 113 620 600 |

* - in the middle of the performance curve, 1m from the fan.

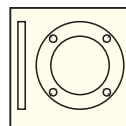
Accessories



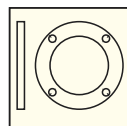
Connector suction side page 138



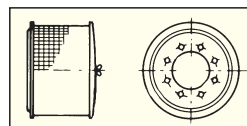
Connector pressure side page 138



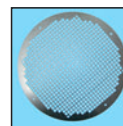
Welding flange suction side page 139



Welding flange pressure side page 139

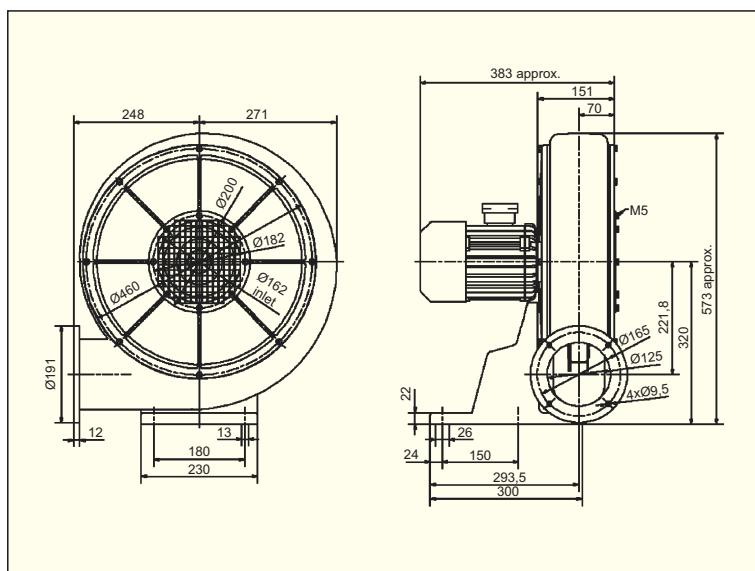
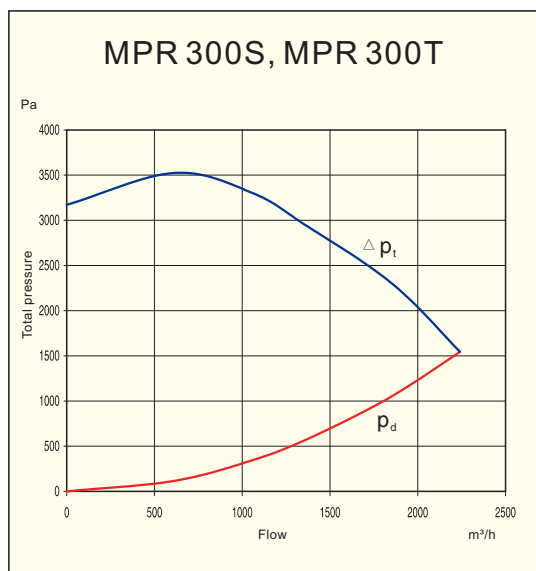
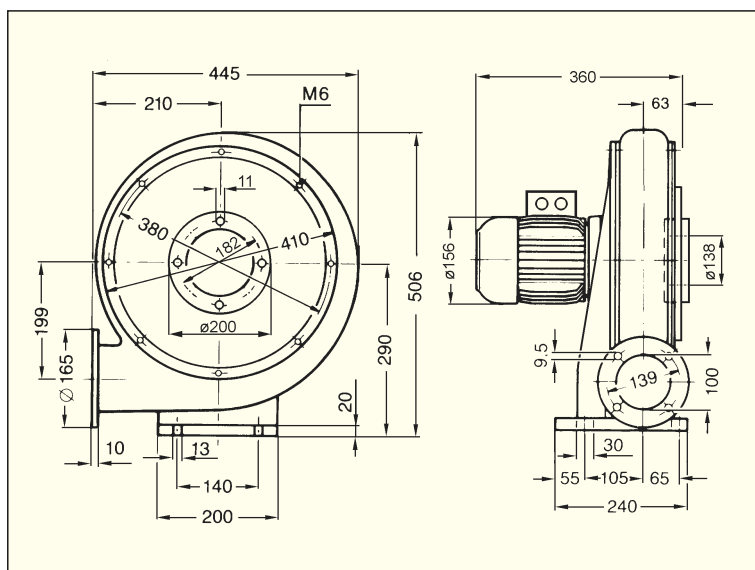
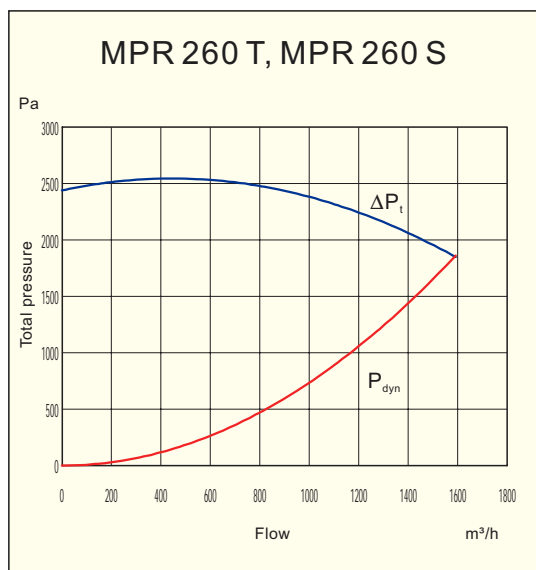
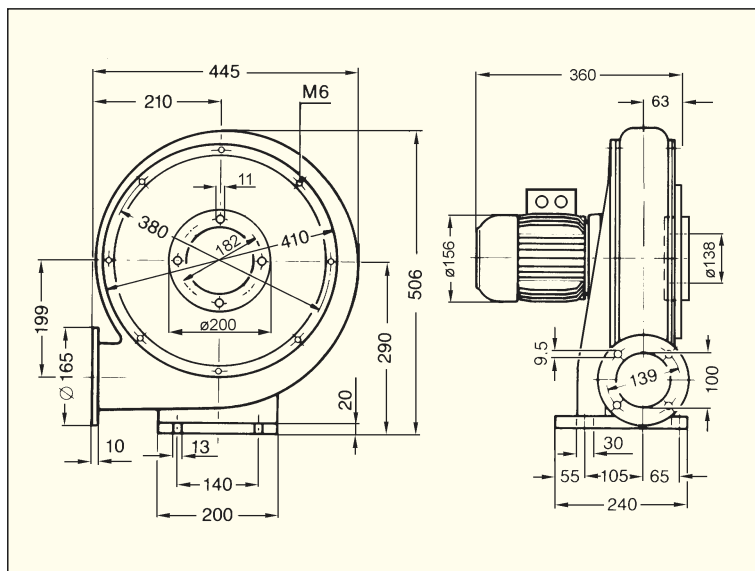
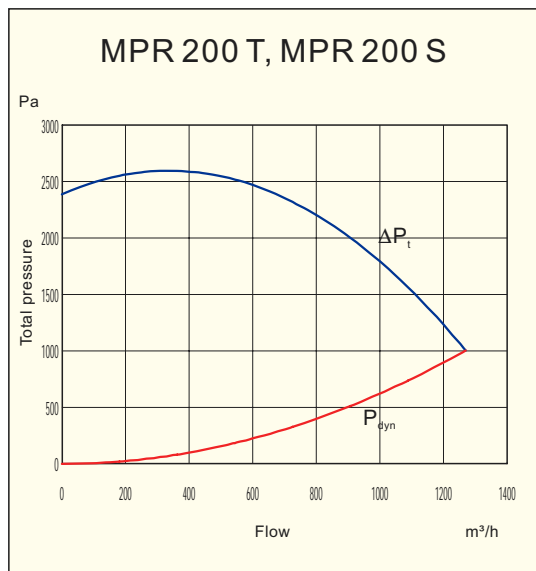


Filter suction side page 139

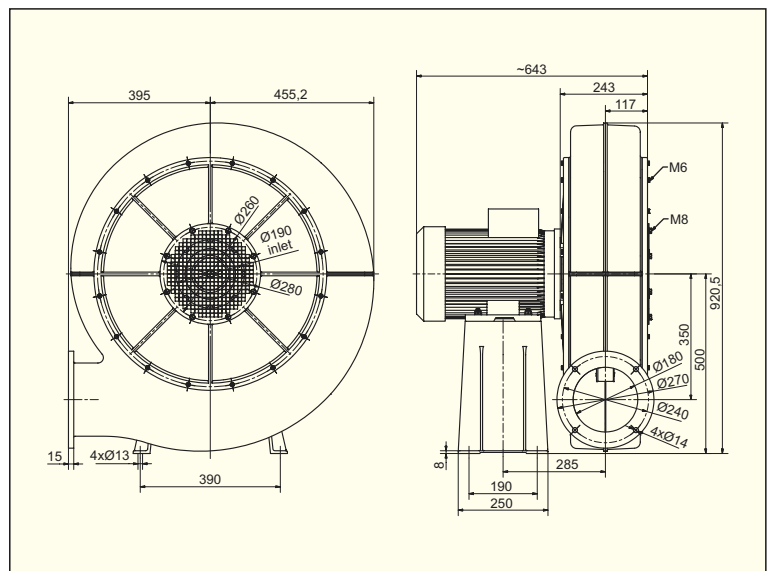
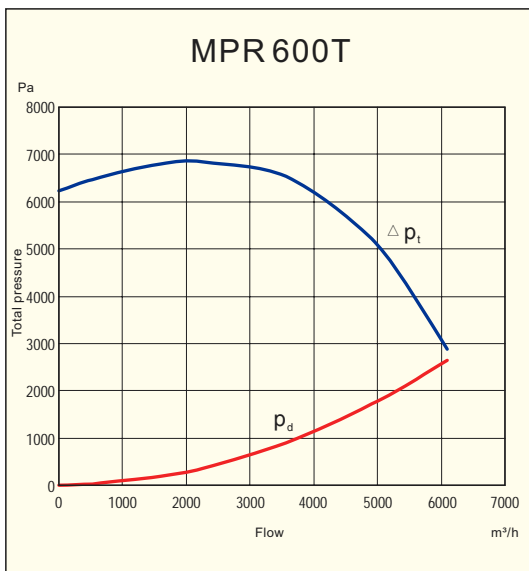
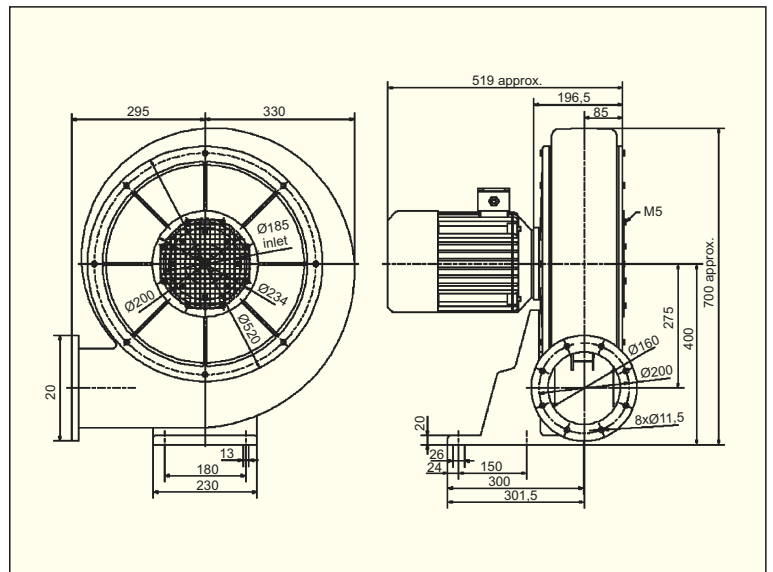
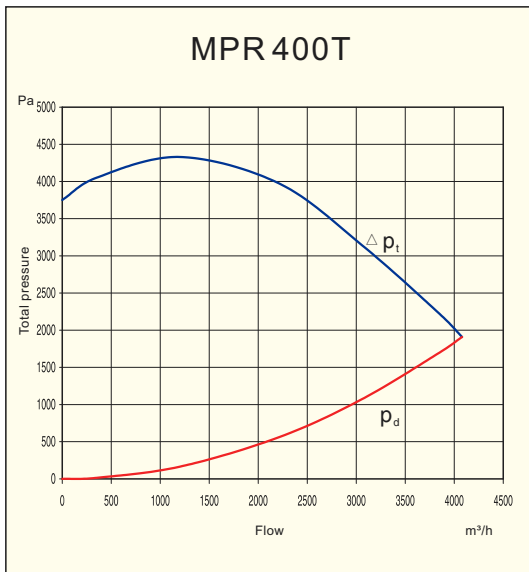


Protecting net

Performance curves



Performance curves





Construction

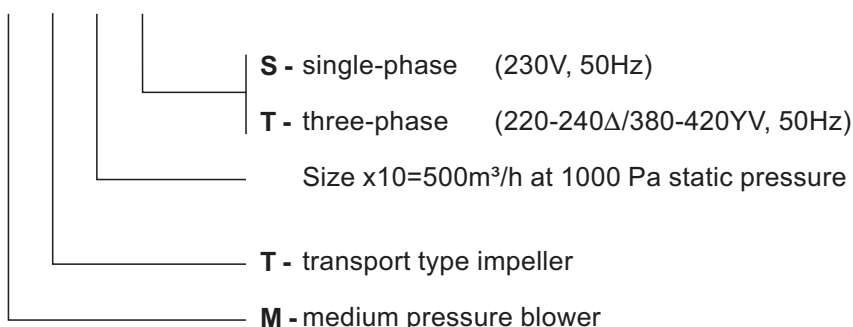
Single inlet, direct driven centrifugal fan with casing of cast aluminium. Impeller with self cleaning blades of cast aluminium.

Motor

220-240/380-420V, 50Hz (380-420/660-690V above 3kW) three-phase or 220-240V, 50Hz single-phase asynchronous motor with squirrel cage. Insulation class F, enclosure IP55. Special voltage or frequency, improved enclosure IP65, 2-speed motors and explosion proof motor can be supplied on request. Wiring diagram, see page 235.

Model numbering system

M P B 30 S



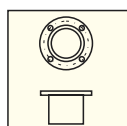
Data

| Type ** | Motor power kW | Voltage V | Maximum current A | Maximum duty m ³ /h | Pressure (max) Pa | Sound level * dB(A) | Weight kg | Article number |
|----------|----------------|-----------|-------------------|--------------------------------|-------------------|---------------------|-----------|----------------|
| MPT-03T | 0,18 | 230/400 | 0,95/0,55 | 410 | 1150 | 72 | 8,5 | 113 550 100 |
| MPT-03S | 0,18 | 230 | 1,8 | 410 | 1150 | 72 | 9,0 | 113 550 110 |
| MPT-25T | 0,18 | 230/400 | 0,95/0,55 | 300 | 1350 | 75 | 8,5 | 113 550 120 |
| MPT-25S | 0,18 | 230 | 1,8 | 300 | 1350 | 75 | 9,0 | 113 550 130 |
| MPT-25TD | 0,25 | 230/400 | 1,27/0,8 | 600 | 1350 | 75 | 10,7 | 113 550 125 |
| MPT-25SD | 0,25 | 230 | 1,93 | 600 | 1350 | 75 | 11,5 | 113 550 135 |
| MPT-40T | 0,37 | 230/400 | 1,77/1,02 | 390 | 2050 | 78 | 14,5 | 113 550 160 |
| MPT-40S | 0,37 | 230 | 2,9 | 390 | 2050 | 78 | 16,0 | 113 550 170 |
| MPT-50T | 0,55 | 230/400 | 2,35/1,35 | 690 | 2050 | 78 | 15,0 | 113 550 180 |
| MPT-50S | 0,55 | 230 | 4,00 | 690 | 2050 | 78 | 16,5 | 113 550 190 |
| MPT-80T | 0,75 | 230/400 | 3,3/1,90 | 690 | 2140 | 83 | 18,5 | 113 550 200 |
| MPT-80S | 0,75 | 230 | 5,20 | 690 | 2140 | 83 | 20,5 | 113 550 210 |
| MPT-90T | 1,10 | 230/400 | 4,30/2,50 | 1170 | 2140 | 83 | 19,0 | 113 550 220 |
| MPT-90S | 1,10 | 230 | 7,90 | 1170 | 2140 | 83 | 21,0 | 113 550 230 |
| MPT-160T | 2,20 | 230/400 | 8,00/4,60 | 2040 | 2240 | 88 | 31,0 | 113 550 240 |
| MPT-290T | 4,00 | 400/690 | 7,80/4,50 | 3700 | 3250 | 91 | 55,0 | 113 550 250 |
| MPT-300T | 3,00 | 230/400 | 11,3/6,50 | 2600 | 3650 | 91 | 44,0 | 113 550 245 |
| MPT-350T | 4,00 | 400/690 | 7,80/4,60 | 3150 | 3650 | 92 | 55,0 | 113 550 260 |

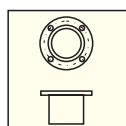
** - all sizes with speed approx. 2800 rpm

* - in the middle of the performance curve.

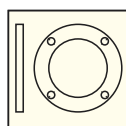
Accessories



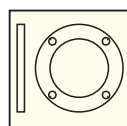
Connector suction side page 138



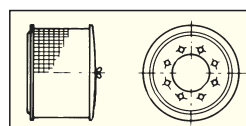
Connector pressure side page 138



Welding flange suction side page 139

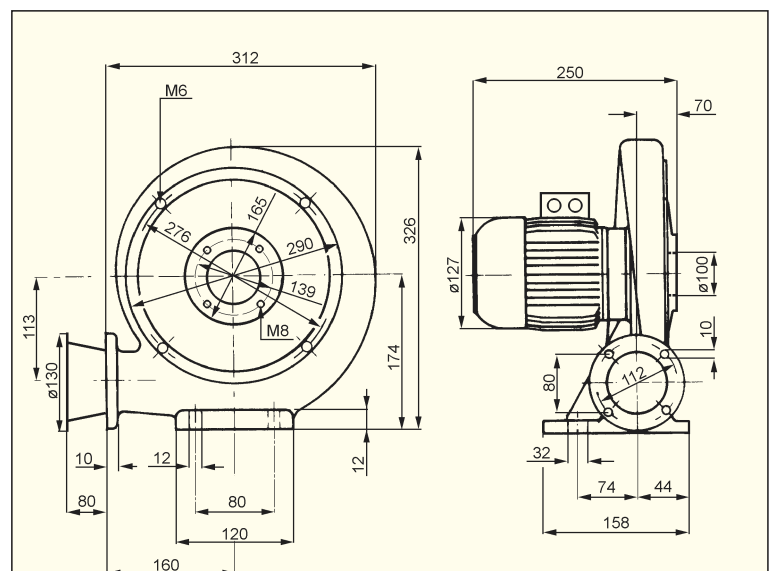
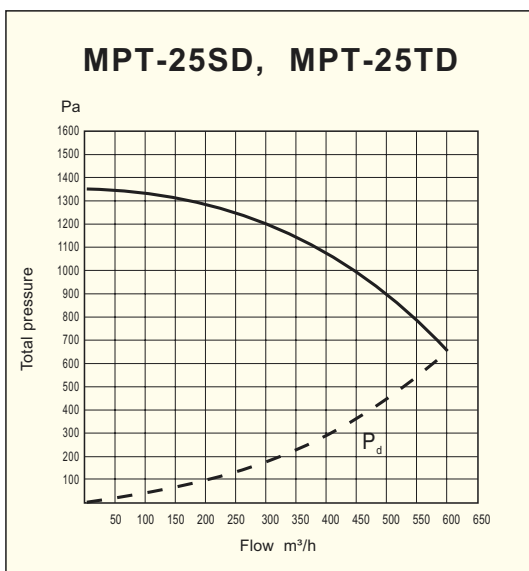
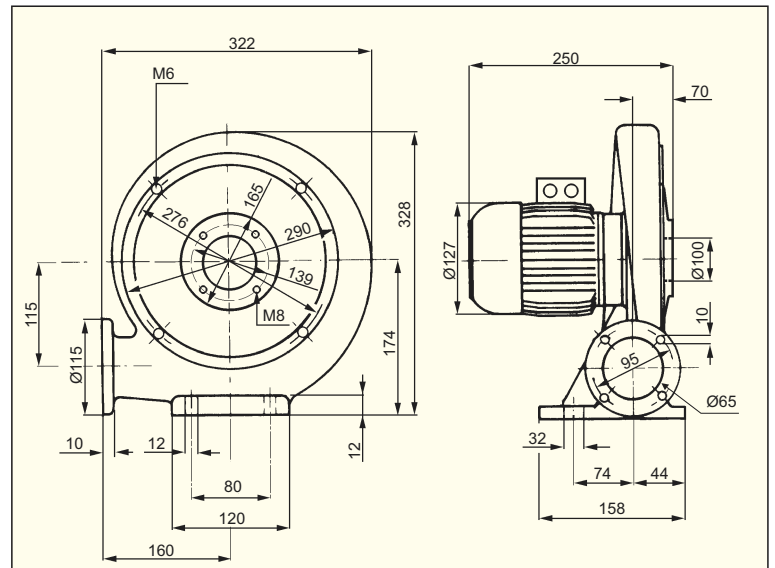
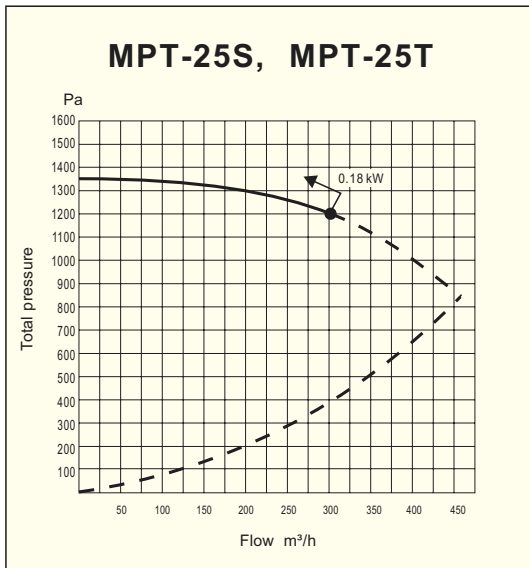
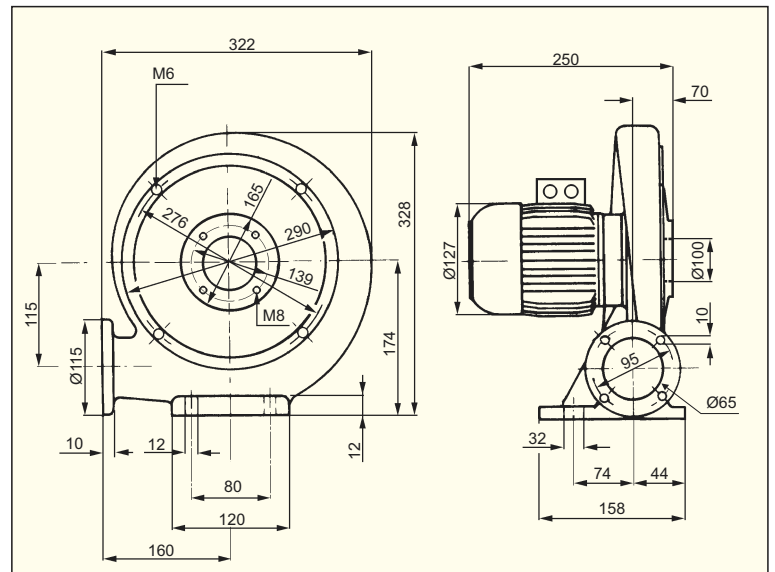
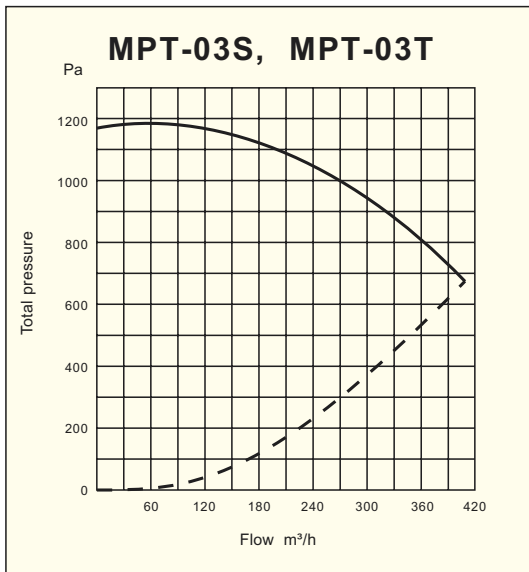


Welding flange pressure side page 139

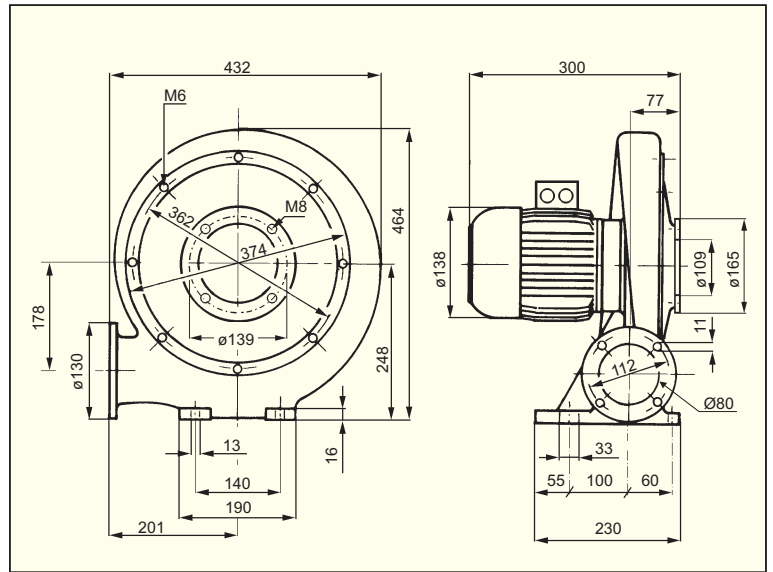
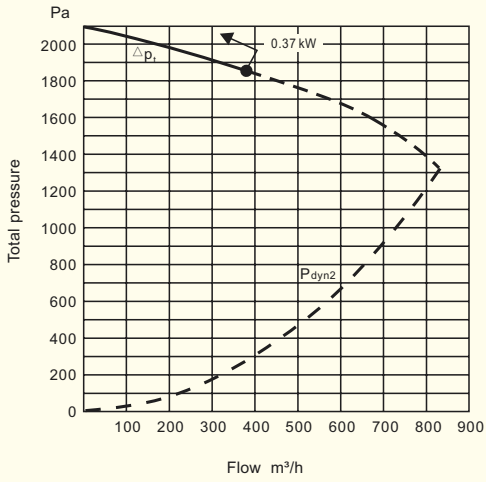


Filter suction side page 139

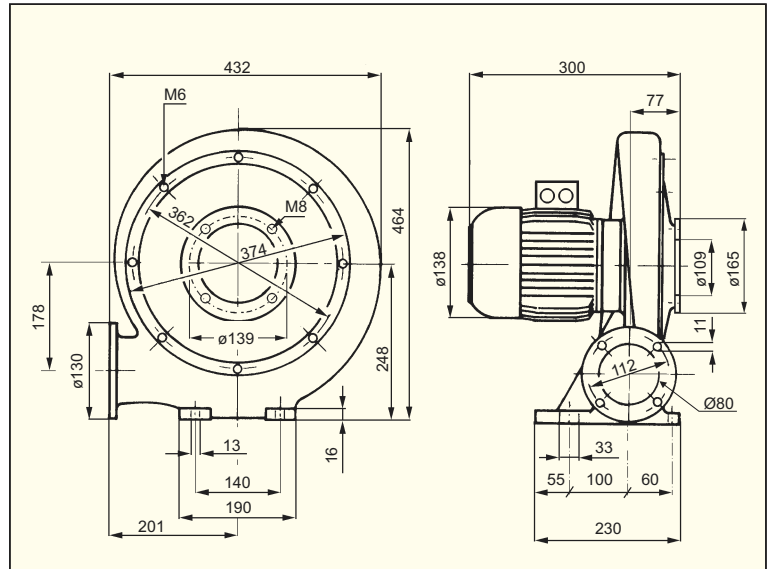
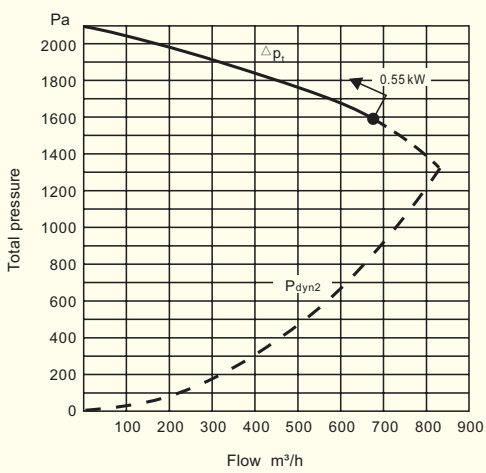
Performance curves



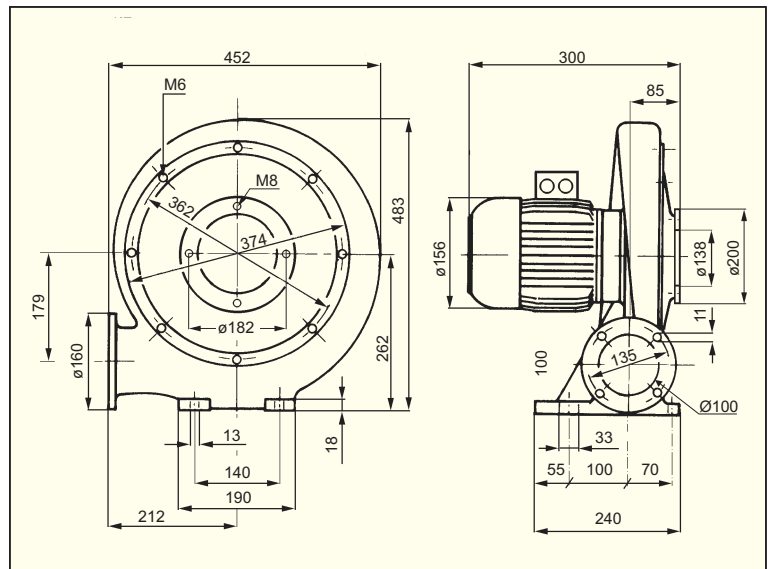
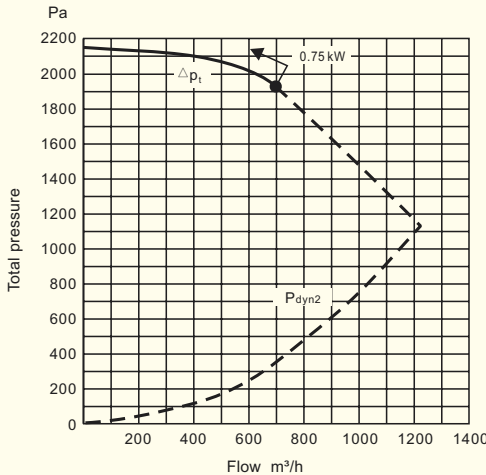
MPT-40S, MPT-40T

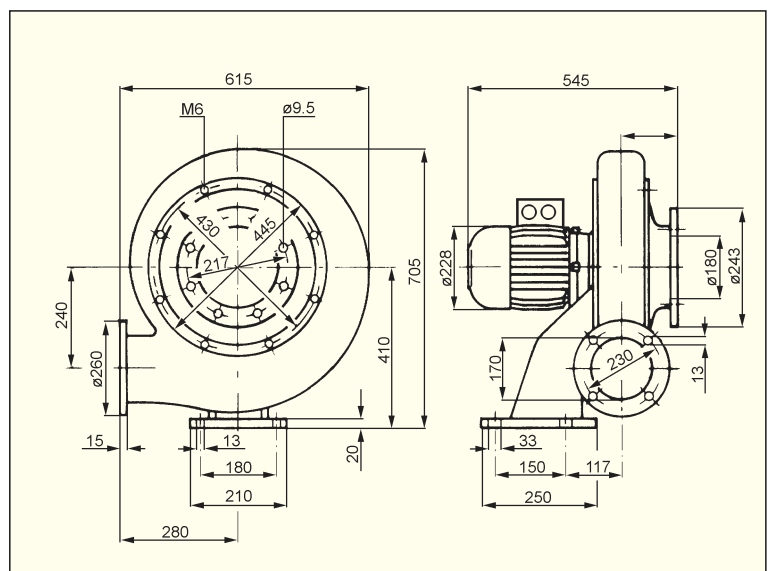
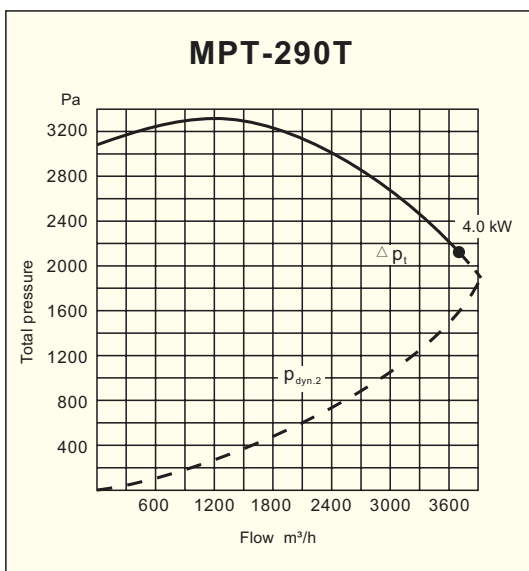
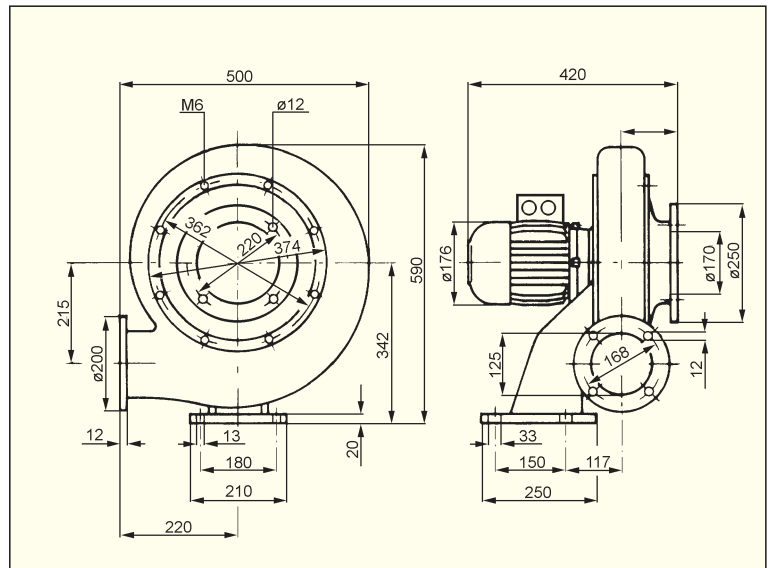
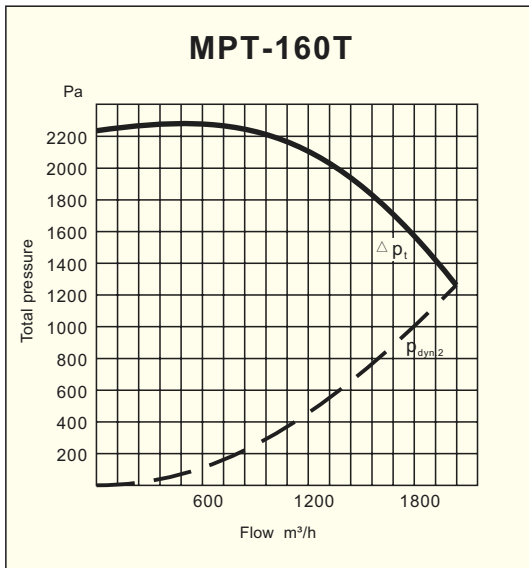
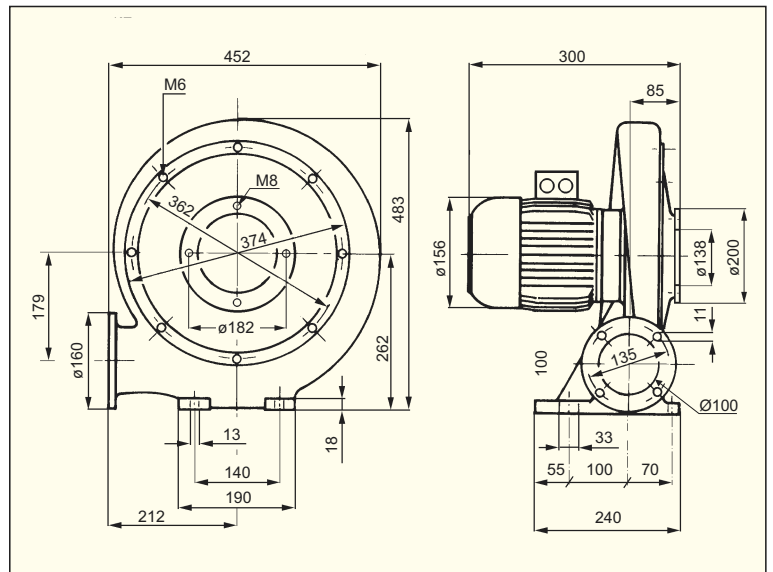
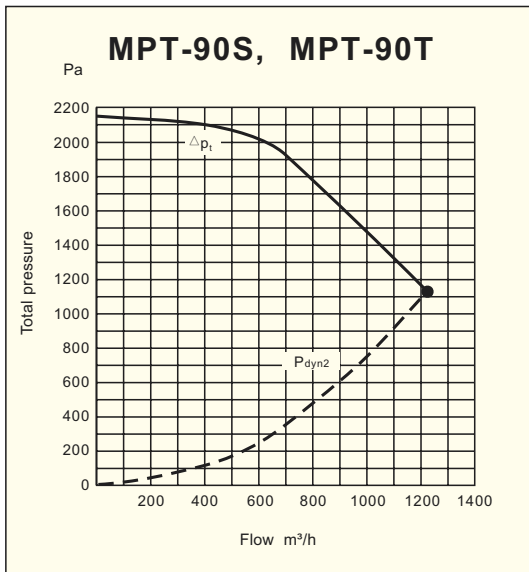


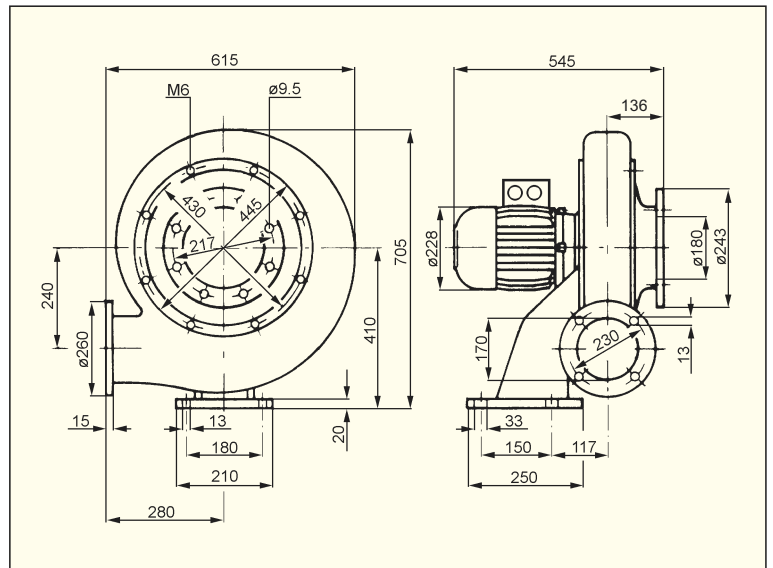
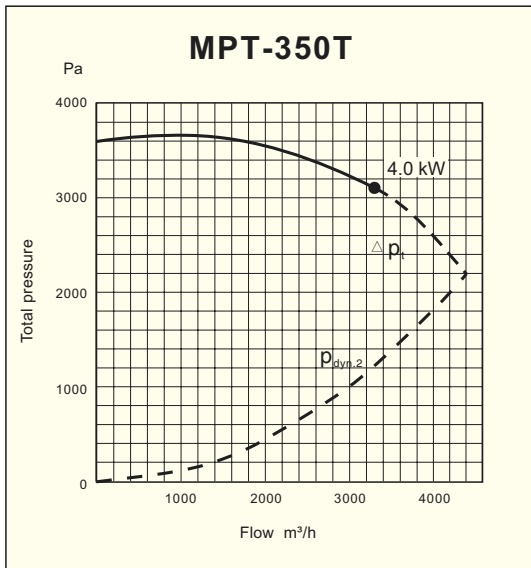
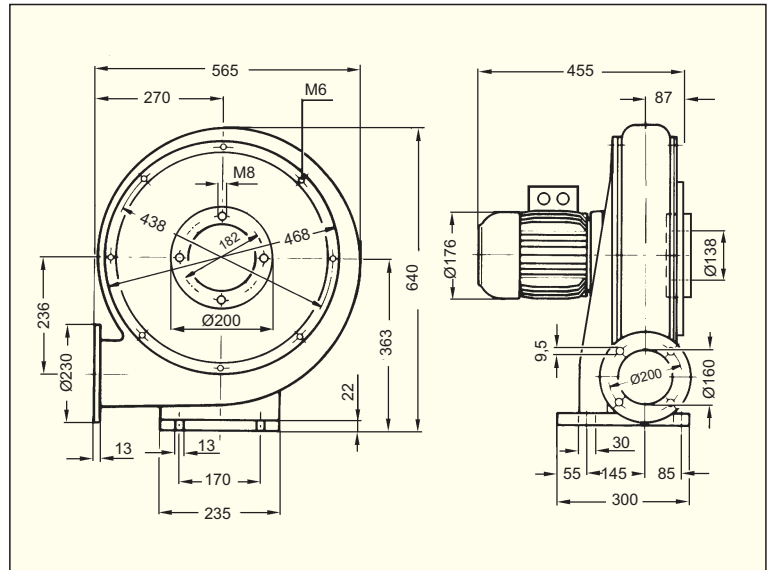
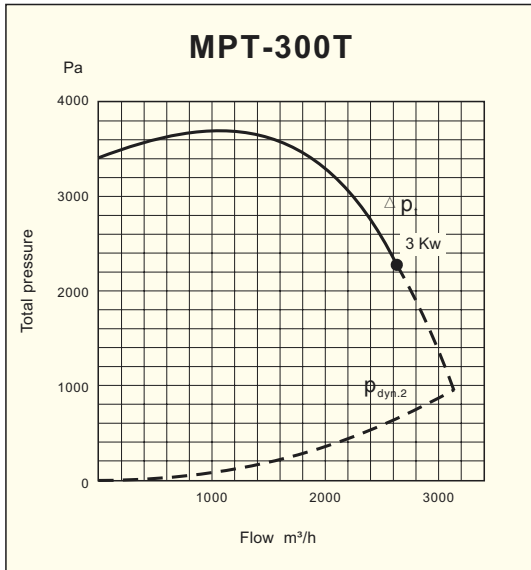
MPT-50S, MPT-50T



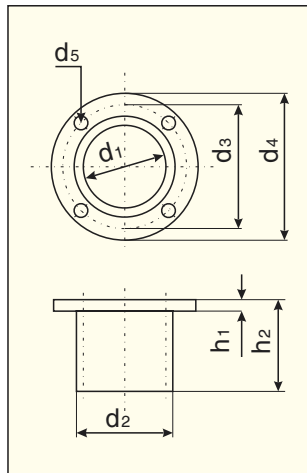
MPT-80S, MPT-80T







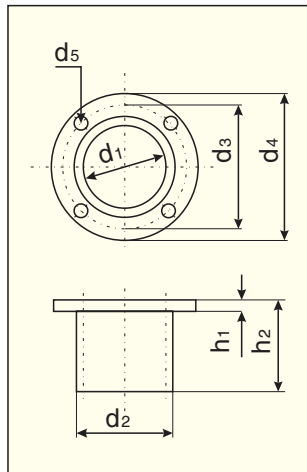
Connector suction side



| Type | d_1 | d_2 | d_3 | d_4 | d_5 | h_1 | h_2 | Article number |
|---------------|-------|-------|-------|-------|-------|-------|-------|----------------|
| MPT-03, 25 * | 100 | 108 | | | | | | 113 561 100 |
| MPT-25D * | 100 | 108 | | | | | | 113 561 125 |
| MPT-40, 50 | 110 | 125 | 139 | 165 | 9.0 | 10 | 80 | 113 611 180 |
| MPT-80, 90 | 148 | 160 | 182 | 200 | 9.0 | 10 | 80 | 113 611 220 |
| MPT-160 | 170 | 180 | 220 | 250 | 12.0 | 10 | 80 | 113 561 240 |
| MPT-290, 350 | 180 | 190 | 217 | 243 | 12.0 | 10 | 80 | 113 561 250 |
| MPT-300 | 148 | 160 | 182 | 200 | 9.0 | 10 | 80 | 113 611 220 |
| MPR-300 | 148 | 160 | 182 | 200 | 9.0 | 10 | 80 | 113 611 230 |
| MPR-400 | 172 | 180 | 200 | 234 | 9.0 | 10 | 80 | 113 611 240 |
| MPB-25 | 110 | 125 | 139 | 165 | 9.0 | 10 | 80 | 113 611 180 |
| MPB-30 | 110 | 125 | 139 | 165 | 9.0 | 10 | 80 | 113 611 180 |
| MPB-75 | 110 | 125 | 139 | 165 | 9.0 | 10 | 80 | 113 611 180 |
| MPB-110, 110D | 148 | 160 | 182 | 200 | 9.0 | 10 | 80 | 113 611 220 |
| MPB-220, 250 | 148 | 160 | 182 | 200 | 9.0 | 10 | 80 | 113 611 220 |
| MPB-280 | 148 | 160 | 182 | 200 | 9.0 | 10 | 80 | 113 611 220 |
| MPB-300 | 148 | 160 | 182 | 200 | 9.0 | 10 | 80 | 113 611 230 |
| MPB-400 | 172 | 180 | 200 | 234 | 9.0 | 10 | 80 | 113 611 240 |

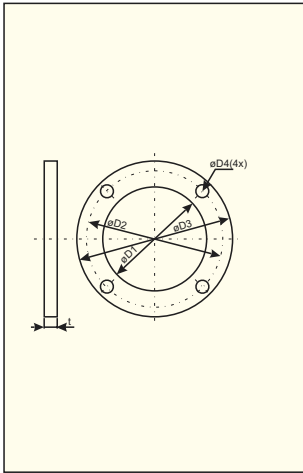
* - Use inlet with connector

Connector pressure side



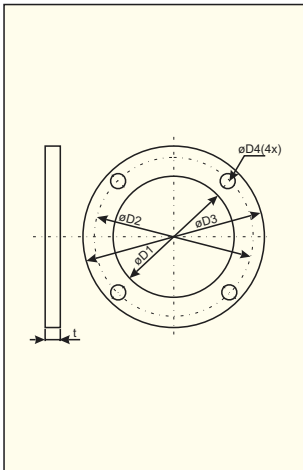
| Type | d_1 | d_2 | d_3 | d_4 | d_5 | h_1 | h_2 | Article number |
|--------------|-------|-------|-------|-------|-------|-------|-------|----------------|
| MPT-03, 25 | 65 | 76 | 95 | 115 | 10.0 | 10 | 80 | 113 562 100 |
| MPT-25D | 80 | 89 | 112 | 130 | 11.0 | 10 | 80 | 113 562 160 |
| MPT-40, 50 | 80 | 89 | 112 | 130 | 11.0 | 10 | 80 | 113 562 160 |
| MPT-80, 90 | 100 | 112 | 135 | 160 | 11.0 | 10 | 80 | 113 562 200 |
| MPT-160 | 125 | 140 | 168 | 200 | 12.0 | 10 | 80 | 113 562 240 |
| MPT-290, 350 | 170 | 180 | 230 | 160 | 13.0 | 10 | 80 | 113 562 250 |
| MPT-300 | 160 | 170 | 200 | 230 | 10.0 | 11 | 80 | 113 562 260 |
| MPR-300 | 125 | 139 | 165 | 190 | 9.0 | 10 | 80 | 113 562 270 |
| MPR-400 | 160 | 170 | 200 | 230 | 10.0 | 10 | 80 | 113 562 280 |
| MPB-25 | 65 | 76 | 95 | 115 | 10.0 | 10 | 80 | 113 562 100 |
| MPB-30 | 65 | 76 | 95 | 115 | 10.0 | 10 | 80 | 113 562 100 |
| MPB-75 | 100 | 112 | 139 | 165 | 9.5 | 10 | 80 | 113 612 180 |
| MPB-110 | 100 | 112 | 139 | 165 | 9.5 | 10 | 80 | 113 612 180 |
| MPB-110D | 140 | 150 | 182 | 200 | 10.0 | 10 | 80 | 113 662 540 |
| MPB-220, 250 | 160 | 170 | 200 | 230 | 10.0 | 11 | 80 | 113 562 260 |
| MPB-280 | 160 | 170 | 200 | 230 | 10.0 | 11 | 80 | 113 562 260 |
| MPB-300 | 125 | 139 | 165 | 190 | 9.0 | 10 | 80 | 113 562 270 |
| MPB-400 | 160 | 170 | 200 | 230 | 10.0 | 10 | 80 | 113 562 280 |

Welding flange suction side



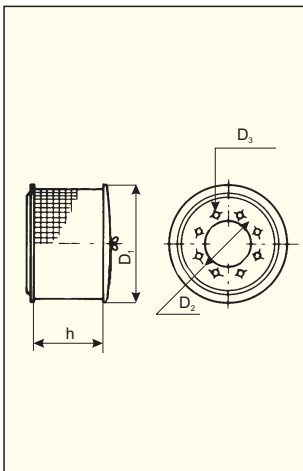
| Type | D ₁ | D ₂ | D ₃ | D ₄ | t | Article number |
|---------------|----------------|----------------|----------------|----------------|----|----------------|
| MPT-03, 25 | 100 | 139 | 165 | 8.5 | 10 | 113 567 100 |
| MPT-25D | 100 | 139 | 165 | 8.5 | 10 | 113 567 100 |
| MPT-40, 50 | 110 | 139 | 165 | 9.0 | 10 | 113 617 180 |
| MPT-80, 90 | 148 | 182 | 200 | 9.0 | 10 | 113 617 220 |
| MPT-160 | 170 | 220 | 250 | 12.0 | 10 | 113 567 240 |
| MPT-290, 350 | 180 | 217 | 243 | 9.5 | 10 | 113 567 250 |
| MPT-300 | 148 | 182 | 200 | 9.0 | 10 | 113 617 220 |
| MPR-300 | 148 | 182 | 200 | 9.0 | 10 | 113 617 230 |
| MPR-400 | 172 | 200 | 234 | 9.0 | 10 | 113 617 240 |
| MPB-25 | 110 | 139 | 165 | 9.0 | 10 | 113 617 160 |
| MPB-30 | 110 | 139 | 165 | 9.0 | 10 | 113 617 160 |
| MPB-75 | 110 | 139 | 165 | 9.0 | 10 | 113 617 180 |
| MPB-110, 110D | 148 | 182 | 200 | 9.0 | 10 | 113 617 220 |
| MPB-220, 250 | 148 | 182 | 200 | 9.0 | 10 | 113 617 220 |
| MPB-280 | 148 | 182 | 200 | 9.0 | 10 | 113 617 220 |
| MPB-300 | 148 | 182 | 200 | 9.0 | 10 | 113 617 230 |
| MPB-400 | 172 | 200 | 234 | 9.0 | 10 | 113 617 240 |

Welding flange pressure side

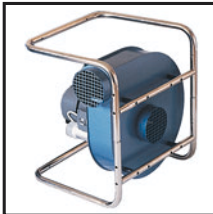
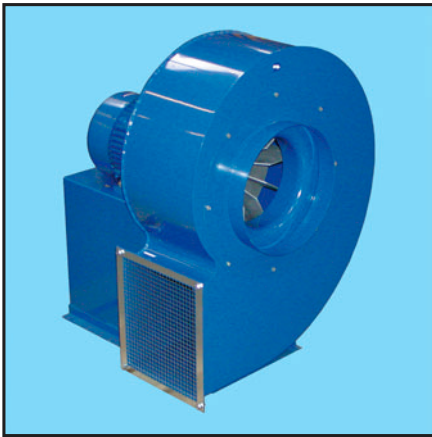


| Type | D ₁ | D ₂ | D ₃ | D ₄ | t | Article number |
|--------------|----------------|----------------|----------------|----------------|----|----------------|
| MPT-03, 25 | 65 | 95 | 115 | 10.0 | 10 | 113 563 100 |
| MPT-25D | 80 | 112 | 130 | 11.0 | 10 | 113 563 160 |
| MPT-40, 50 | 80 | 112 | 130 | 11.0 | 10 | 113 563 160 |
| MPT-80, 90 | 100 | 135 | 160 | 11.0 | 10 | 113 563 200 |
| MPT-160 | 125 | 168 | 200 | 12.0 | 10 | 113 563 240 |
| MPT-290, 350 | 170 | 230 | 260 | 13.0 | 10 | 113 563 250 |
| MPT-300 | 160 | 200 | 230 | 11.0 | 10 | 113 563 260 |
| MPR-300 | 125 | 165 | 190 | 9.0 | 10 | 113 563 270 |
| MPR-400 | 160 | 200 | 230 | 10.0 | 10 | 113 563 280 |
| MPB-25 | 65 | 95 | 115 | 10.0 | 10 | 113 613 160 |
| MPB-30 | 65 | 95 | 115 | 10.0 | 10 | 113 613 160 |
| MPB-75 | 100 | 139 | 165 | 9.5 | 10 | 113 613 180 |
| MPB-110 | 100 | 139 | 165 | 9.5 | 10 | 113 613 180 |
| MPB-110D | 140 | 182 | 200 | 10.0 | 10 | 113 663 540 |
| MPB-220, 250 | 160 | 200 | 230 | 11.0 | 10 | 113 563 260 |
| MPB-280 | 160 | 200 | 230 | 11.0 | 10 | 113 563 260 |
| MPB-300 | 125 | 165 | 190 | 9.0 | 10 | 113 563 270 |
| MPB-400 | 160 | 200 | 230 | 10.0 | 10 | 113 263 280 |

Filter suction side



| Type | D ₁ | D ₂ | D ₃ | h | Article number |
|--------------|----------------|----------------|----------------|-----|----------------|
| MPT-03, 25 | 284 | 139 | 10 | 140 | 113 565 100 |
| MPT-25D | 284 | 139 | 10 | 140 | 113 565 100 |
| MPT-40, 50 | 284 | 155 | 10 | 140 | 113 565 160 |
| MPT-80, 90 | 284 | 170 | 10 | 220 | 113 565 200 |
| MPT-160 | 284 | 220 | 10 | 370 | 113 565 240 |
| MPT-290, 350 | 560 | 217 | 10 | 395 | 113 565 250 |
| MPT-300 | 560 | 182 | 10 | 395 | 113 565 260 |
| MPR-300 | 284 | 182 | 9 | 300 | 113 615 220 |
| MPR-400 | 560 | 200 | 9 | 395 | 113 565 270 |
| MPB-25 | 284 | 139 | 10 | 140 | 113 565 100 |
| MPB-30 | 284 | 139 | 10 | 140 | 113 565 100 |
| MPB-75 | 284 | 139 | 9 | 190 | 113 615 180 |
| MPB-110 | 284 | 182 | 9 | 300 | 113 615 220 |
| MPB-110D | 284 | 182 | 9 | 300 | 113 615 220 |
| MPB-220, 250 | 560 | 182 | 10 | 395 | 113 565 260 |
| MPB-280 | 560 | 182 | 10 | 395 | 113 565 260 |
| MPB-300 | 284 | 182 | 9 | 300 | 113 615 220 |
| MPB-400 | 560 | 200 | 9 | 395 | 113 565 270 |



GMT-100 with support type F

GMT-100 complete with support type M

Construction

Single inlet, direct driven centrifugal fan. Impeller with self-cleaning blades of cast aluminium in one piece, balanced according to ISO 1940.

Casing of sheet steel welded and painted with blue powder coat. Inlet and outlet guard as a standard for GMT-60, 80, 100, 130. Outlet guard as a standard for GMT-200, 300, 500. Impellers in steel, cast iron or brass as well as casings of galvanized or acid-proof steel can be supplied on request.

GMT-100E fan can be supplied with a support type M, an external overload protection, and a 5m cable and a plug.

Motor

220-240/380-420V, 50Hz (380-420/660-690V over 3kW) three-phase or 220-240V, 50Hz single-phase asynchronous motor with squirrel cage rotor, in accordance with IEC72 and IEC34-1. Insulation class F, enclosure IP55. Special voltage or frequency, improved enclosure IP65, 2-speed motors, explosion proof motor can be supplied on request.

Wiring diagram, see page 235.

Accessories

Support type M for module mounting, support type F for wall mounting, suitable for GMT-100 and GMT-130. Connectors and shutters for inlet and outlet side.

Accessories



Protection guard outlet



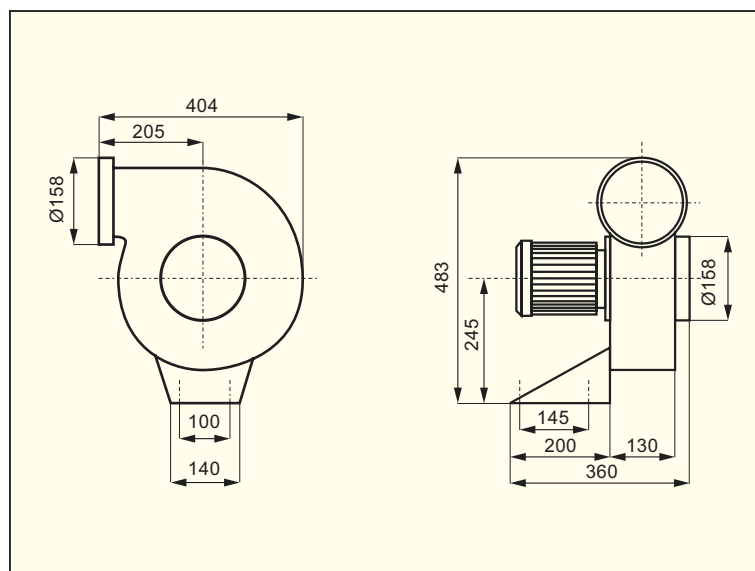
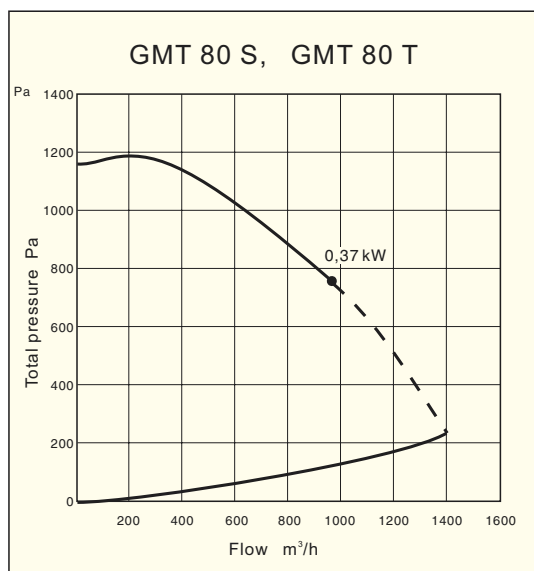
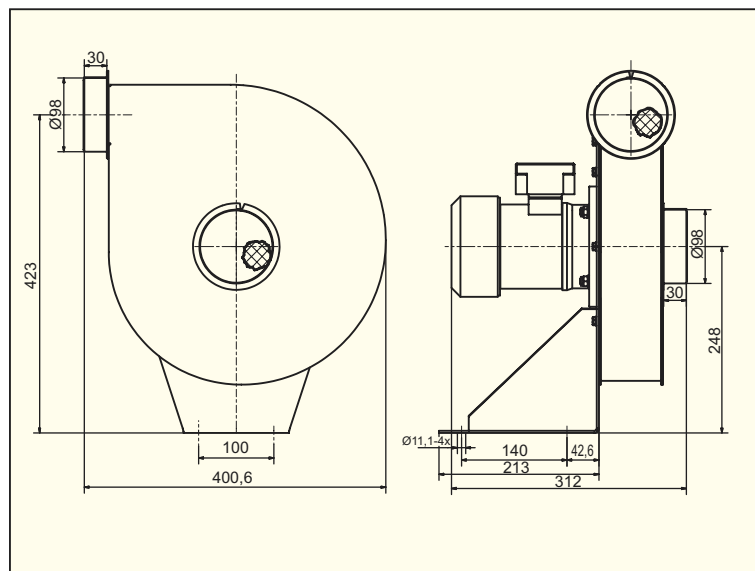
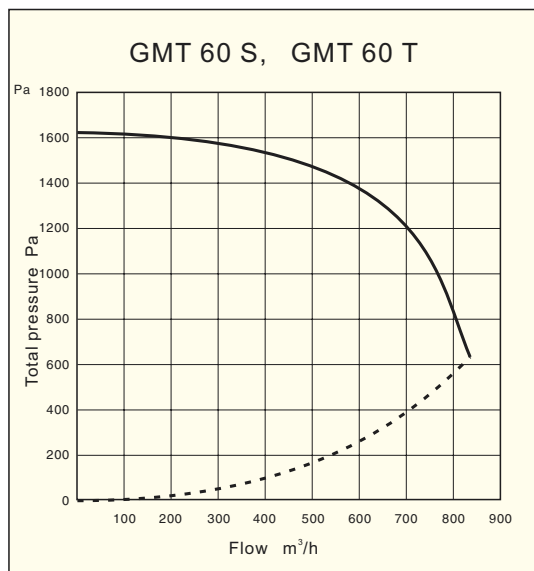
Connector outlet



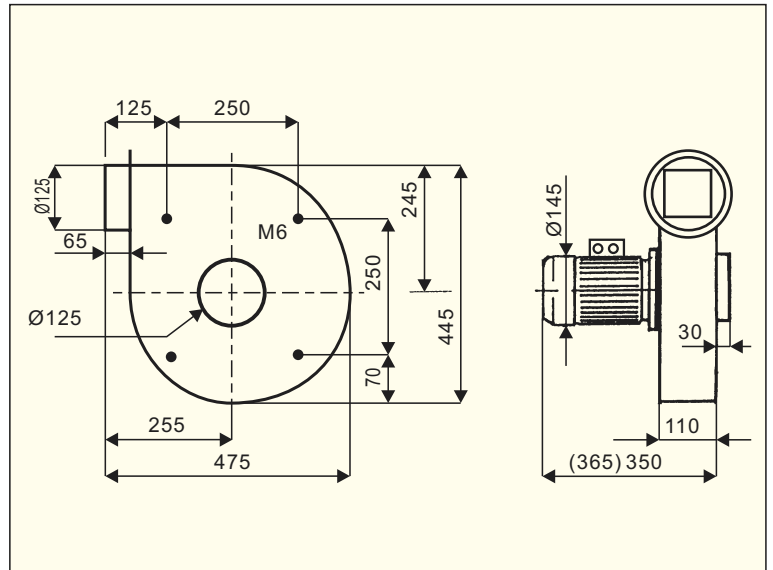
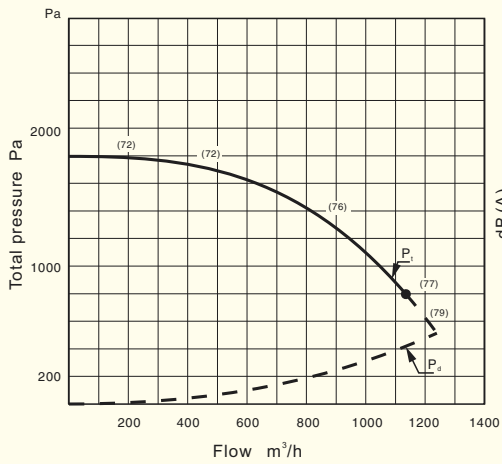
Protection guard inlet

Data

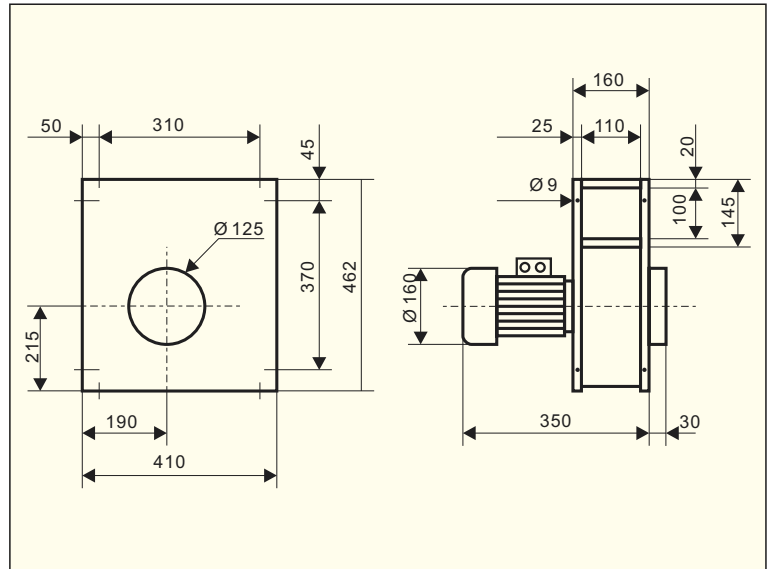
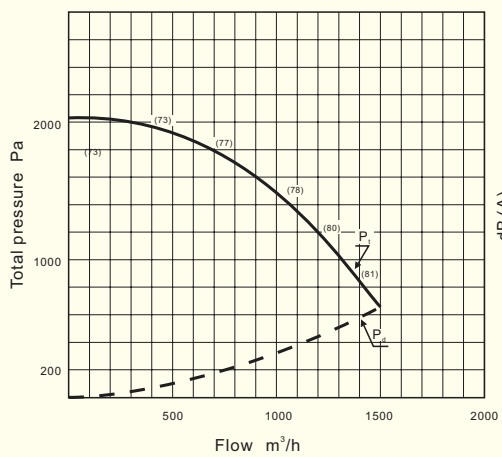
| Type | Motor power kW | Speed rpm | Maximum current A | Voltage V | Capacitor μ F | Maximum duty m ³ /h | Weight kg | Article number |
|---------|----------------|-----------|-------------------|--------------|-------------------|--------------------------------|-----------|----------------|
| GMT 60S | 0,37 | 2800 | 3,00 | 230 | 12 | 810 | 13,5 | 213 240 061 |
| GMT 60T | 0,37 | 2800 | 1,00 | 400 Y | 12 | 810 | 13,5 | 213 240 071 |
| GMT 80S | 0,37 | 2800 | 3,00 | 230 | 12 | 950 | 15,5 | 213 240 081 |
| GMT 80T | 0,37 | 2800 | 1,00 | 400 Y | 12 | 950 | 13,5 | 213 240 091 |
| GMT100S | 0,55 | 2800 | 4,00 | 230 | 18 | 1100 | 14,5 | 213 250 501 |
| GMT100T | 0,55 | 2800 | 1,35 | 400 Y | 18 | 1100 | 14,0 | 213 250 001 |
| GMT130S | 0,75 | 2820 | 5,10 | 230 | 25 | 1500 | 20,0 | 213 251 201 |
| GMT130T | 0,75 | 2820 | 1,90 | 400 Y | 25 | 1500 | 17,5 | 213 250 801 |
| GMT200S | 1,10 | 2820 | 7,90 | 230 | 30 | 2200 | 25,0 | 213 251 611 |
| GMT200T | 1,10 | 2820 | 2,50 | 400 Y | 30 | 2200 | 22,0 | 213 251 601 |
| GMT300T | 2,20 | 2860 | 4,60 | 400 Y | - | 3200 | 35,5 | 213 252 001 |
| GMT500T | 4,00 | 2900 | 7,80 | 400 Δ | - | 6800 | 56,0 | 213 410 801 |
| GMT700T | 7,50 | 2800 | 14,00 | 400 Δ | - | 8000 | 82,5 | 213 252 801 |



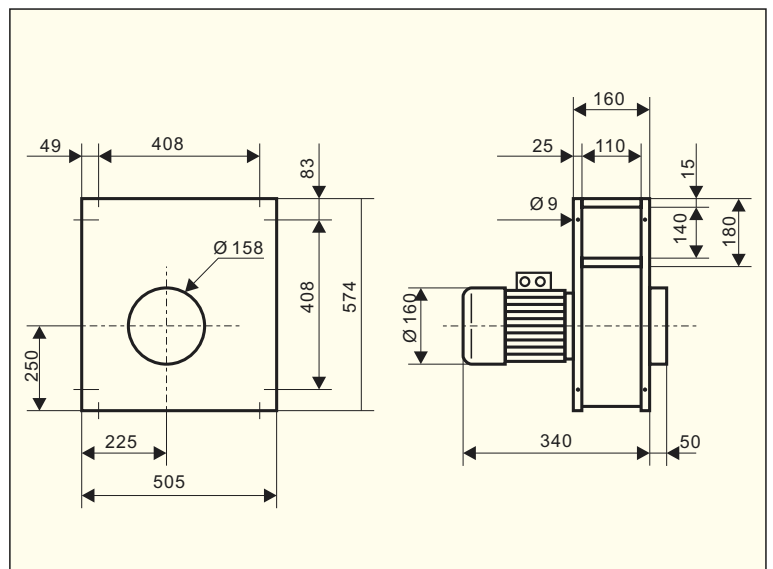
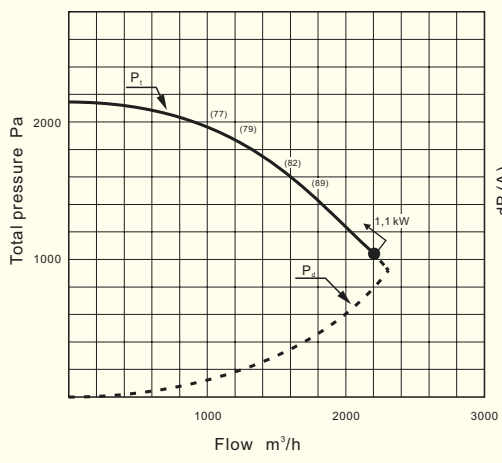
GMT 100 S, GMT 100 T

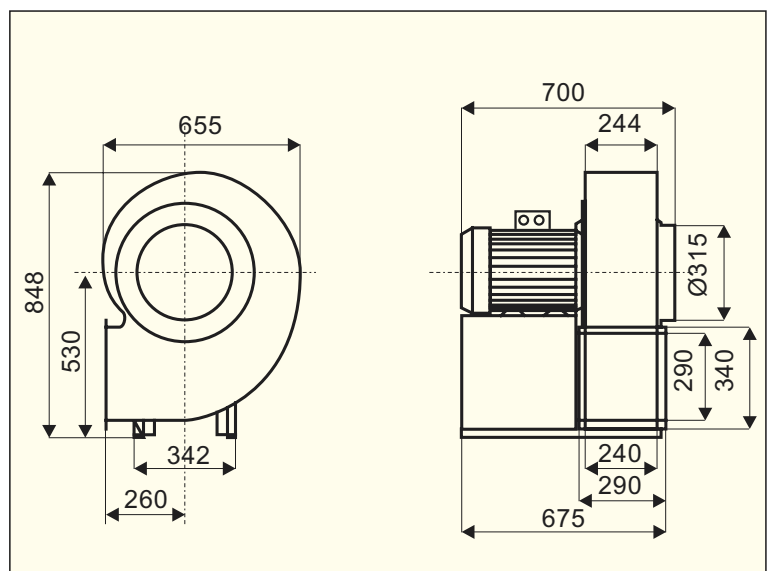
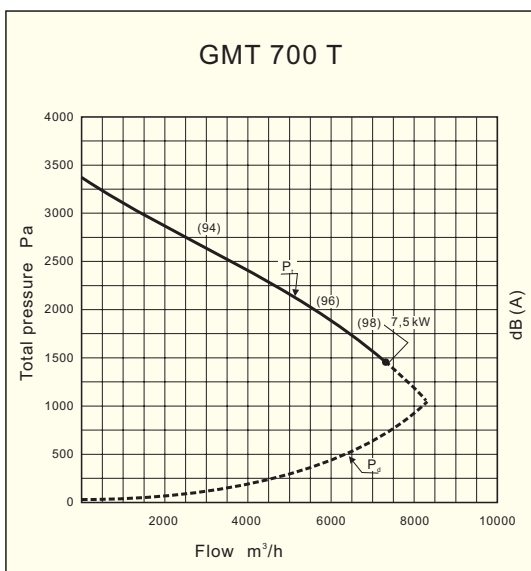
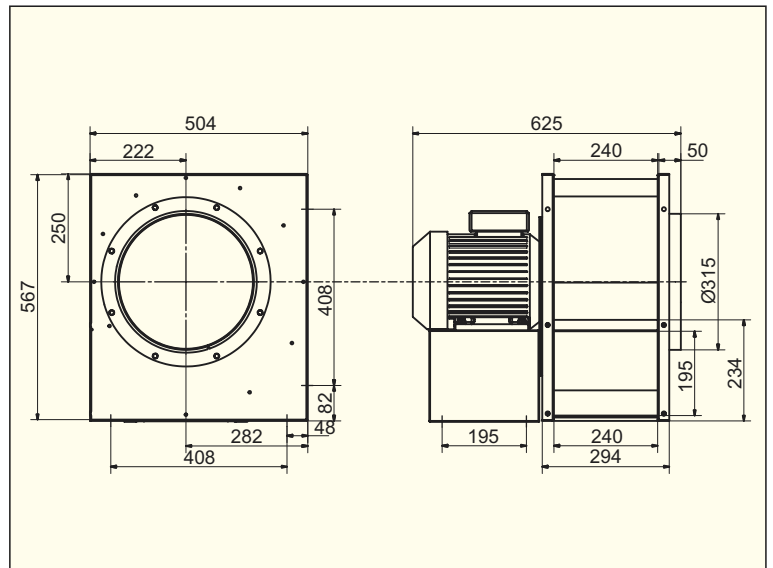
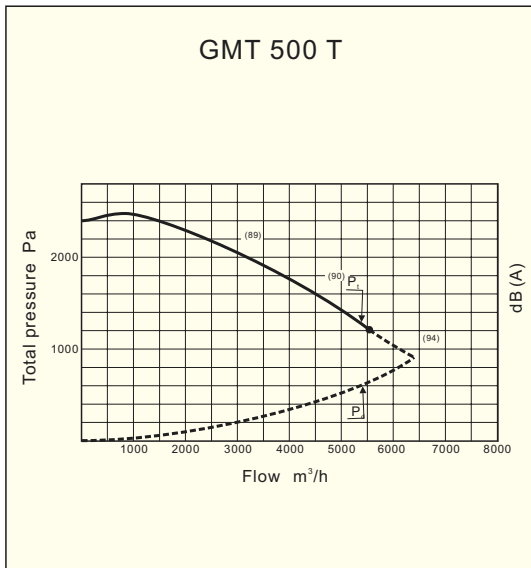
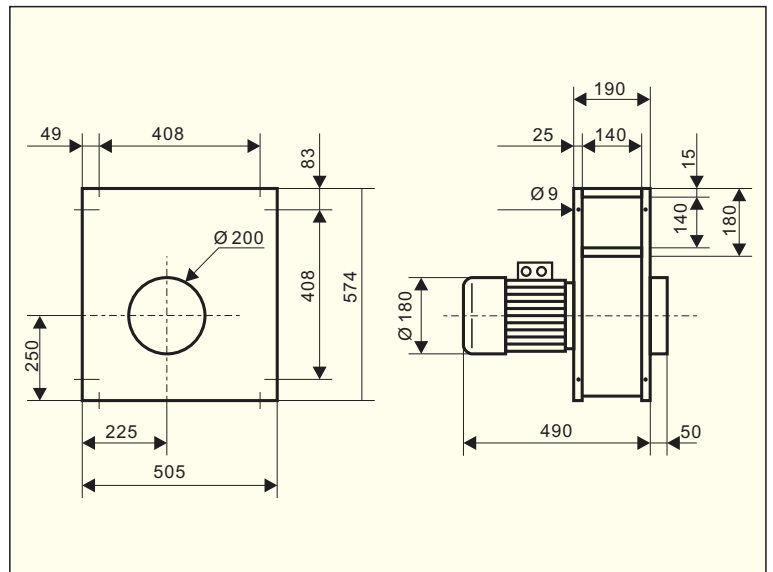
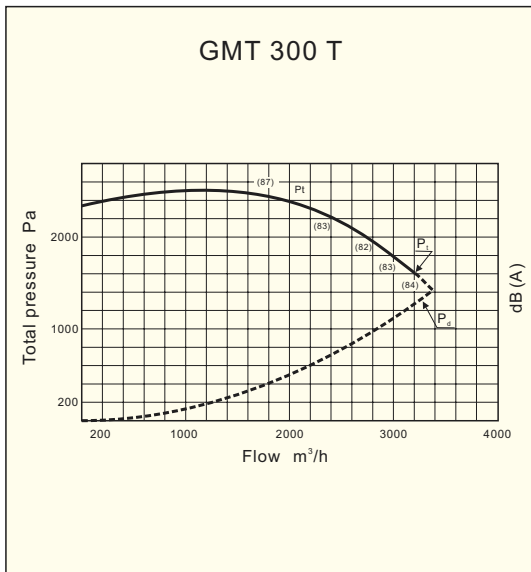


GMT 130 S, GMT 130 T



GMT 200 S, GMT 200 T







Construction

Single inlet direct driven centrifugal fan with spiral formed casing in steel sheet, welded and powder coated RAL9002. Impeller with backward curved (type GSB), or backward straight self-cleaning blades (type MSB), in aluminium or in steel sheet. Casing and impellers in other materials for example stainless steel or galvanized steel sheet may be supplied on request.

Motor

220-240/380-420V, 50Hz (380-420/660-690V over 3kW) three-phase or 220-240V, 50Hz single-phase asynchronous motor with squirrel cage rotor. Enclosure IP55, insulation class F. Special voltage or frequency, improved enclosure IP65, 2-speed motors, explosion proof motor can be supplied on request. Wiring diagram, see page 235.

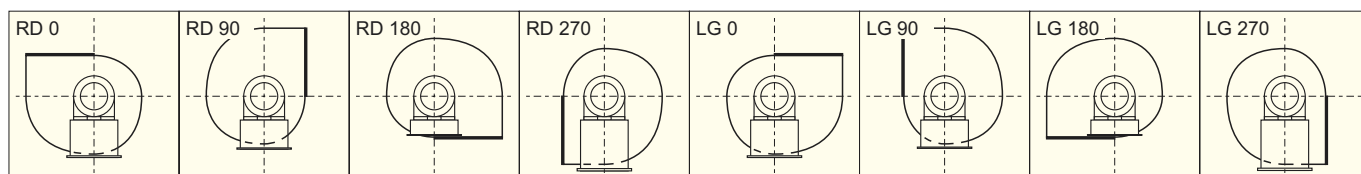
Accessories

Inlet and outlet fittings, wire guards, dampers, etc.

Data

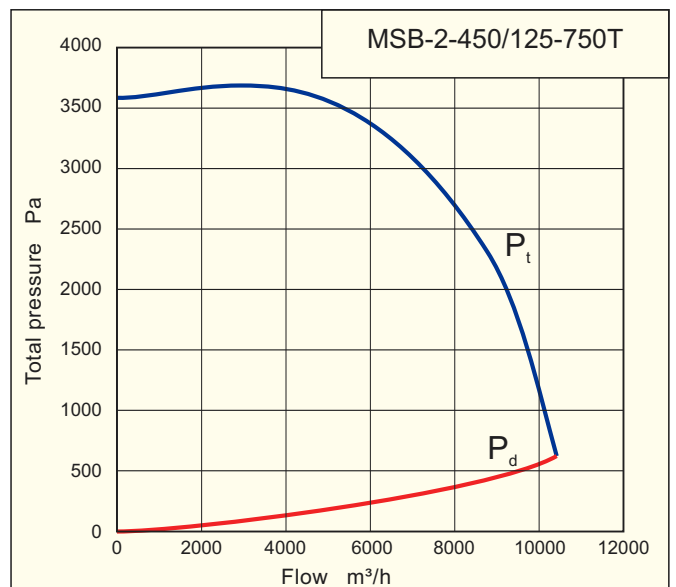
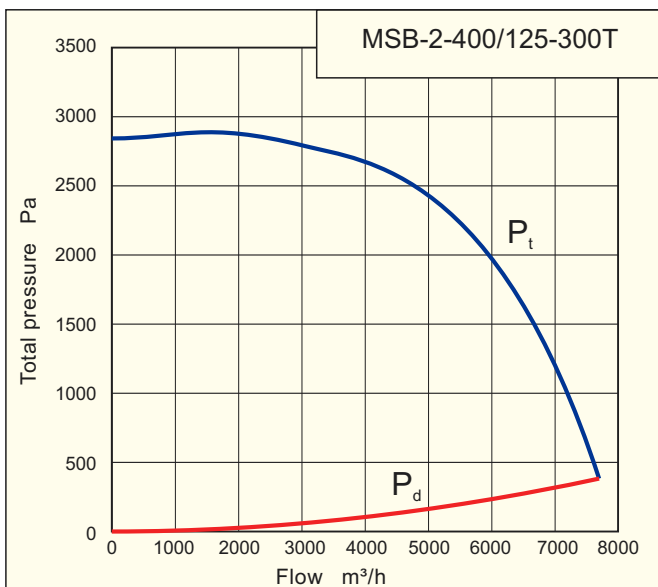
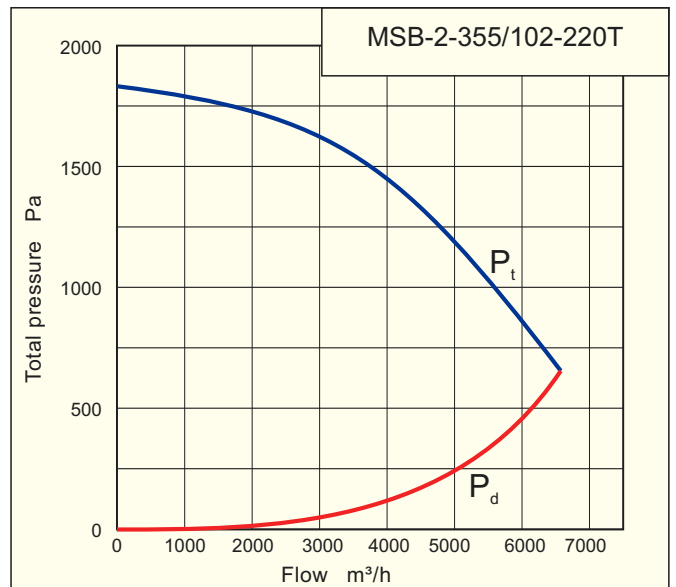
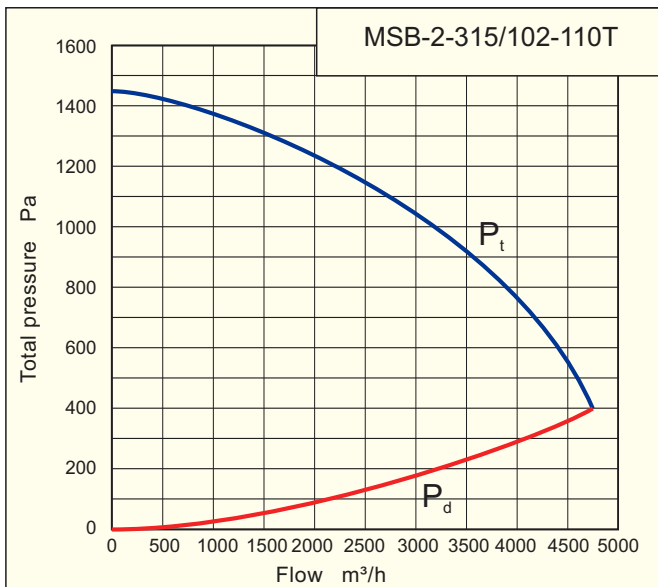
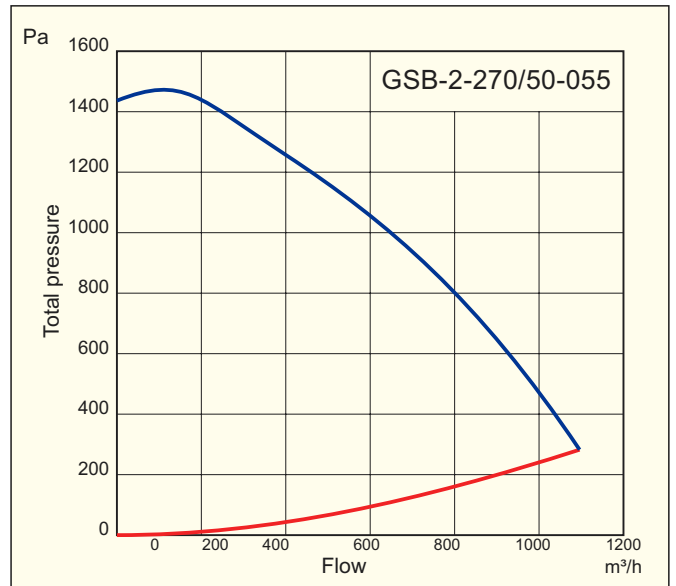
| Type | Speed rpm | Motor power kW | Maximum current A | Voltage V | Maximum duty m³/h | Maximum pressure Pa | Sound level* dB(A) | Weight kg | Article number |
|----------------------|-----------|----------------|-------------------|-----------|-------------------|---------------------|--------------------|-----------|----------------|
| GSB-2-270/50-055T | 2900 | 0,55 | 1,35 | 400 | 1050 | 1450 | 73 | 30 | 113 360 270 |
| MSB-2-315/102-110T | 2900 | 1,1 | 2,5 | 400 | 4800 | 1450 | 74 | 40 | 113 363 315 |
| MSB-2-355/125-220T | 2900 | 2,20 | 4,60 | 400 | 6700 | 1850 | 76 | 45 | 113 363 355 |
| MSB-2-400/125-400T | 2900 | 4,00 | 6,50 | 400 | 7700 | 2850 | 80 | 55 | 113 363 400 |
| MSB-2-450/125-750T | 2900 | 7,50 | 14,0 | 400 | 12100 | 3100 | 85 | 88 | 113 363 450 |
| MSB-2-500/100-1100T | 2900 | 11,00 | 21,2 | 400 | 17500 | 3600 | 94 | 125 | 113 363 500 |
| MSB-4-500/180-110T | 1400 | 1,10 | 2,70 | 400 | 8000 | 900 | 75 | 95 | 113 360 500 |
| MSB-2-560/80-1850T | 2900 | 18,50 | 32,0 | 400 | 19000 | 4400 | 96 | 140 | 113 363 560 |
| GSB-4-560/200-220T | 1400 | 2,20 | 4,90 | 400 | 10000 | 1200 | 77 | 105 | 113 360 550 |
| GSB-4-630/250-400T | 1400 | 4,00 | 6,60 | 400 | 12500 | 1400 | 80 | 158 | 113 360 630 |
| GSB-4-710/250-750T | 1400 | 7,50 | 14,6 | 400 | 22000 | 1800 | 84 | 230 | 113 360 710 |
| GSB-6-710/250-300T | 900 | 3,00 | 6,90 | 400 | 13800 | 800 | 77 | 220 | 113 360 716 |
| GSB-4-800/280-1500T | 1460 | 15 | 27,7 | 400 | 27500 | 2280 | 96 | 274 | 113 360 800 |
| GSB-6-800/280-550T | 950 | 5,5 | 11,8 | 400 | 18000 | 1000 | 86 | 221 | 113 360 820 |
| GSB-4-900/315-2200T | 1465 | 22 | 38,8 | 400 | 39000 | 2900 | 100 | 400 | 113 360 850 |
| GSB-6-900/315-750T | 960 | 7,5 | 15,2 | 400 | 26000 | 1250 | 91 | 325 | 113 360 870 |
| GSB-4-1000/355-3700T | 1475 | 37 | 66 | 400 | 54000 | 3600 | 103 | 629 | 113 360 900 |
| GSB-6-1000/355-1100T | 960 | 11 | 21,9 | 400 | 36000 | 1550 | 94 | 434 | 113 360 920 |
| GSB-8-1000/355-400T | 705 | 4 | 9,3 | 400 | 27000 | 890 | 87 | 394 | 113 360 940 |

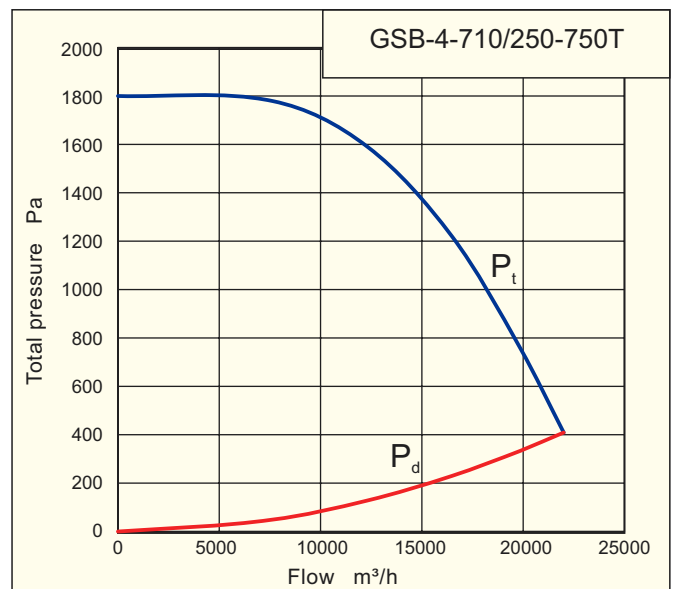
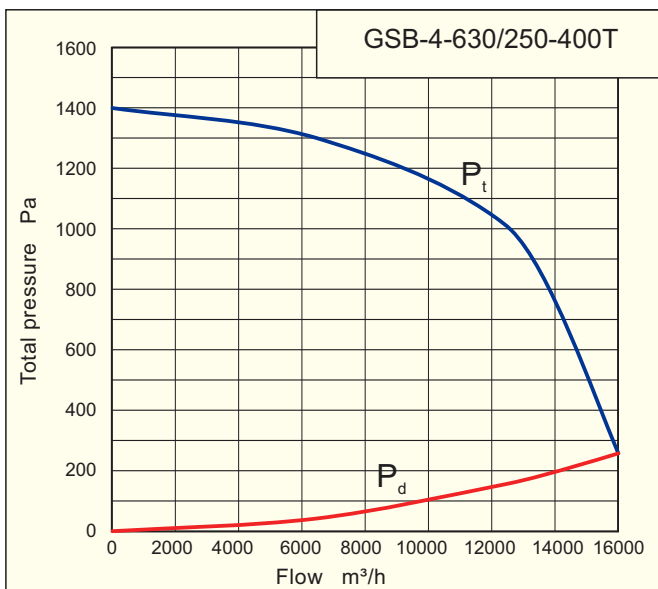
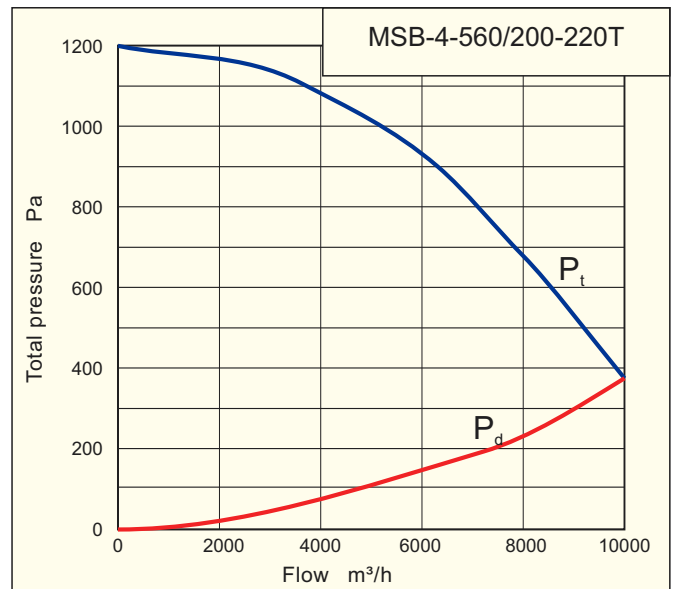
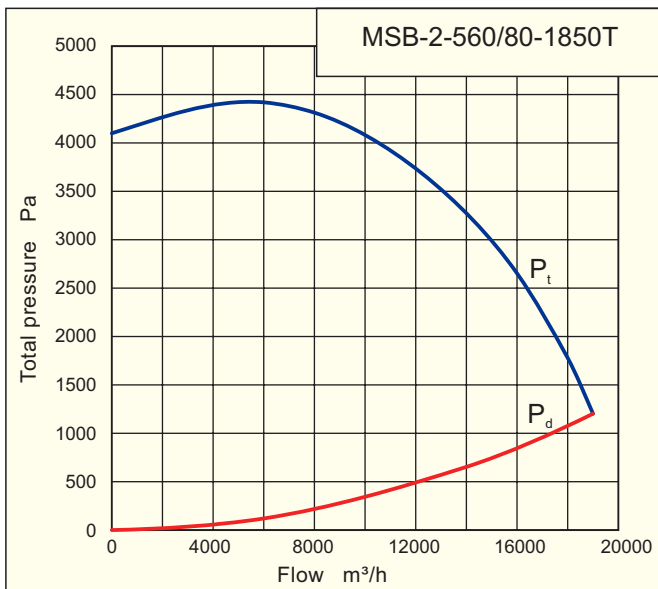
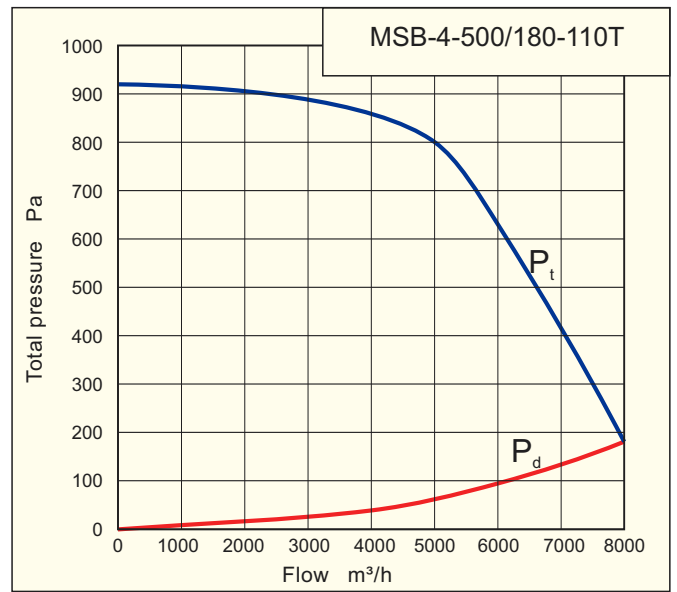
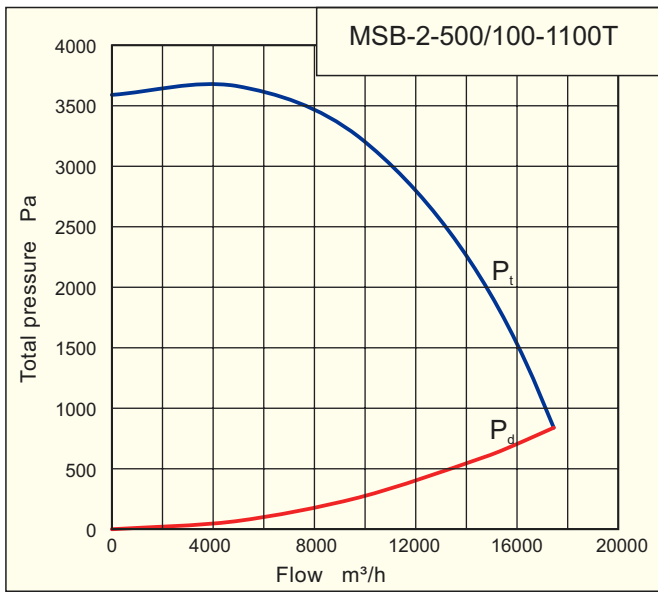
* - in the middle of the performance curve.

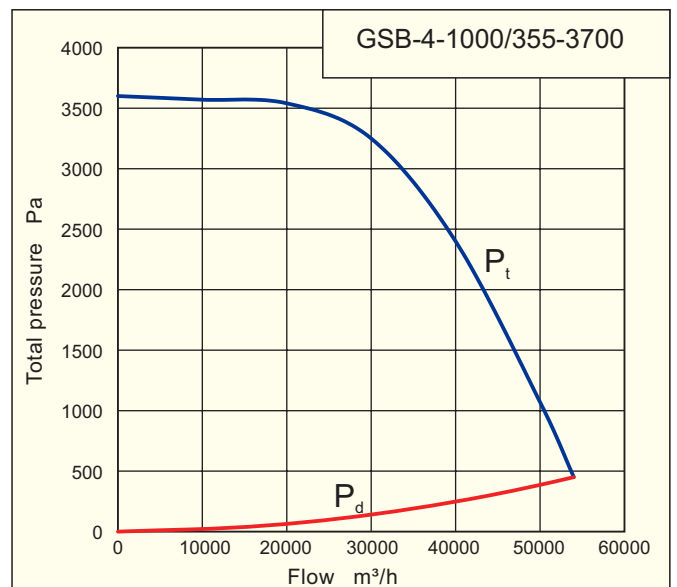
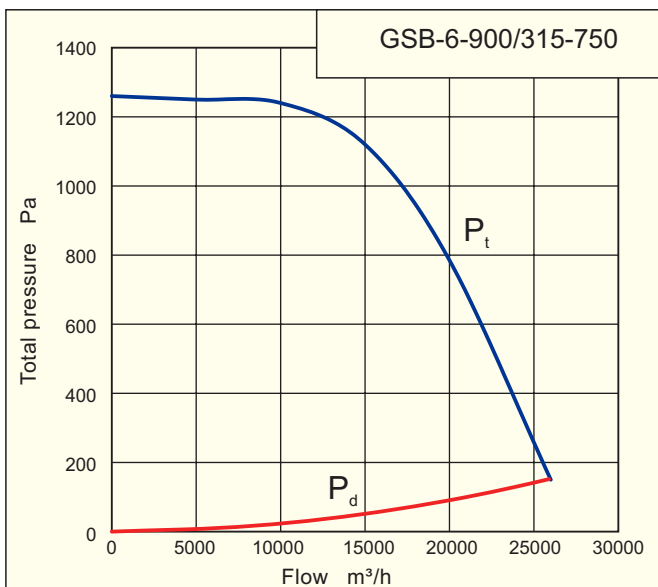
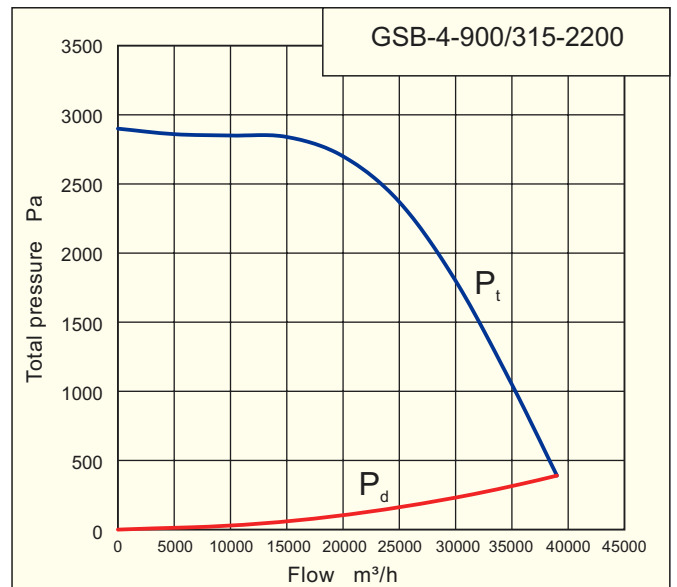
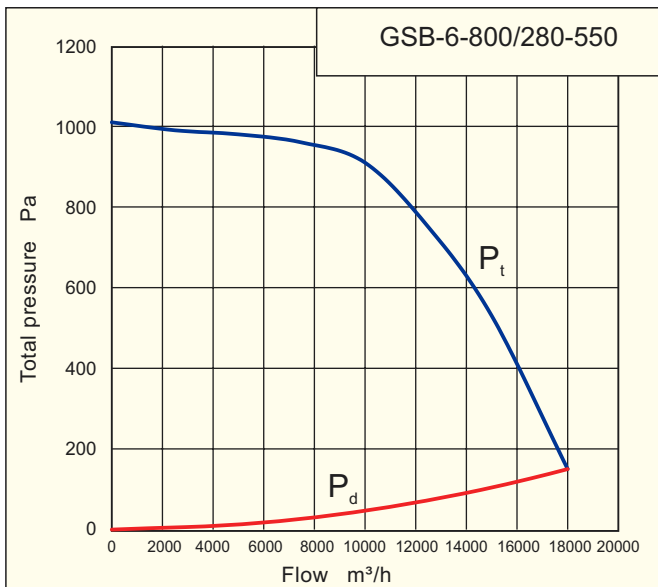
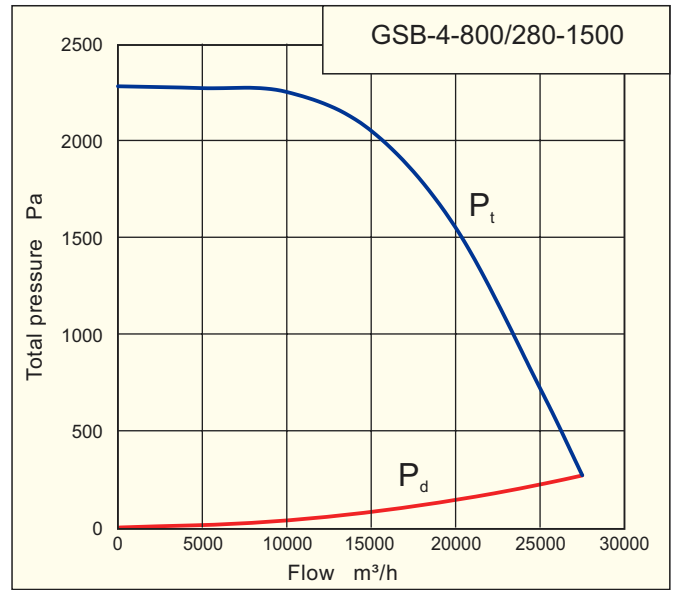
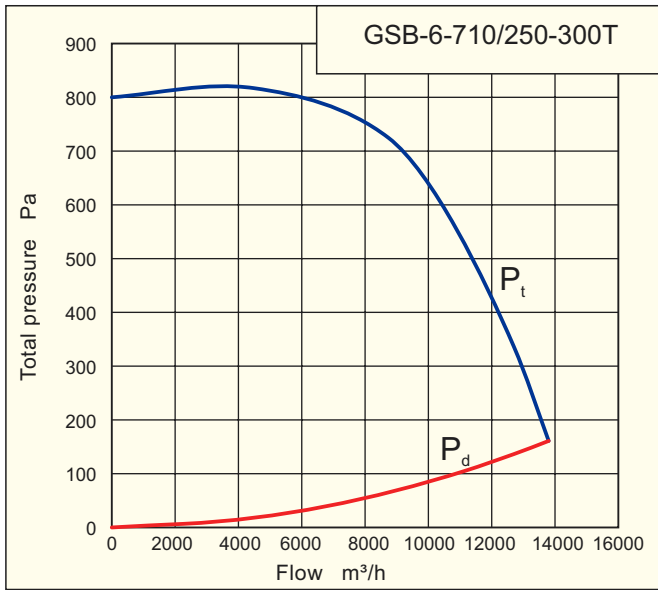


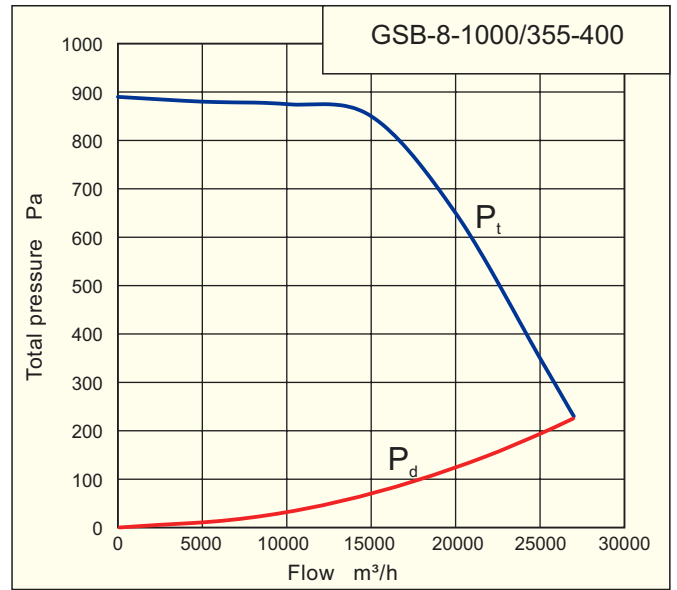
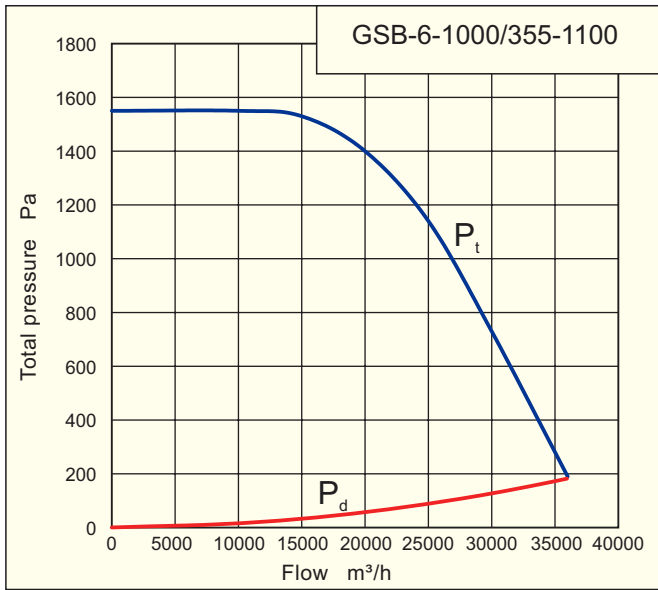
GSB / MSB fans are delivered as standard in LG 270.

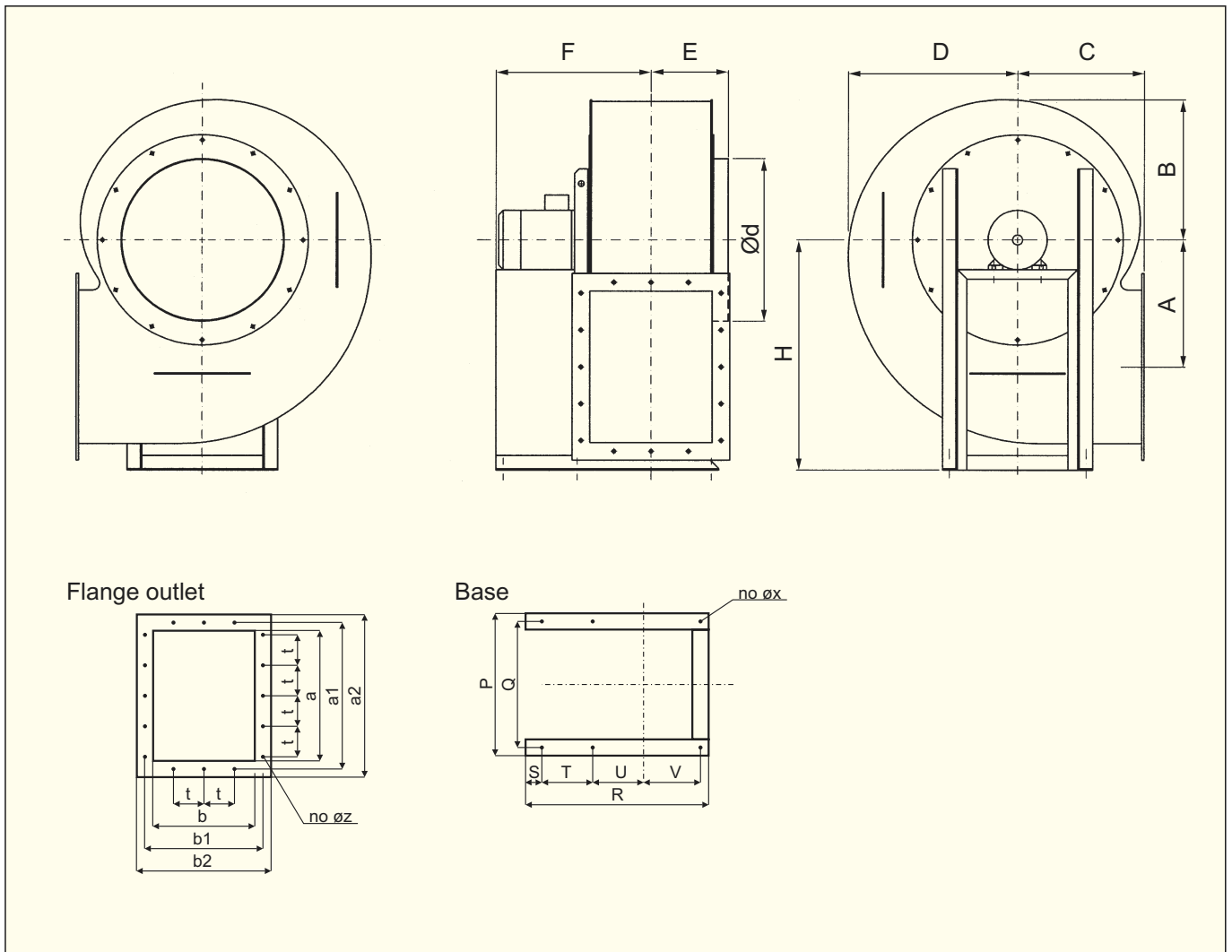
Performance curves











Dimensions in mm

| Type | A | B | C | D | E | F | H | P | Q | R | S | T | U | V | no | $\varnothing x$ | a x b | a1 x b1 | a2 x b2 | no | $\varnothing z$ | t | $\varnothing d$ |
|------|-----|-----|-----|-----|-----|------|------|-----|-----|-----|------|-------|-------|-------|----|-----------------|-----------|-----------|-----------|------|-----------------|-----|-----------------|
| 270 | 114 | 166 | 187 | 178 | 60 | 330 | - | - | - | - | - | - | - | - | - | - | 140 x 120 | 160 x 140 | 180 x 160 | 2+2 | 7 | 140 | 270 |
| 315 | 216 | 240 | 225 | 287 | 153 | 318 | 400 | 237 | 210 | 350 | 18 | 150 | 150 | - | 6 | 12 | 256 X 198 | 291 x 233 | 326 x 268 | 6+4 | 11,5 | 112 | 315 |
| 355 | 225 | 256 | 230 | 298 | 172 | 398 | 400 | 257 | 230 | 572 | 38 | 200 | 160 | 160 | 6 | 12 | 243 x 232 | 278 x 267 | 313 x 302 | 6+4 | 11,5 | 112 | 315 |
| 400 | 273 | 304 | 265 | 364 | 183 | 431 | 500 | 276 | 240 | 436 | 31 | 190 | 190 | - | 6 | 12 | 328 x 258 | 368 x 298 | 408 x 338 | 6+4 | 10 | 125 | 355 |
| 450 | 284 | 322 | 300 | 375 | 199 | 497 | 500 | 316 | 280 | 517 | 27 | 235 | 175 | 60 | 6 | 15 | 308 X 290 | 348 x 330 | 388 x 370 | 6+6 | 10 | 125 | 400 |
| 500 | 341 | 377 | 335 | 453 | 219 | 435 | 610 | 396 | 360 | 600 | 25 | 200 | 209.5 | 140.5 | 6 | 15 | 400 x 315 | 448 x 365 | 488 x 405 | 8+6 | 10 | 125 | 450 |
| 560 | 323 | 380 | 360 | 428 | 236 | 500 | 560 | 386 | 350 | 520 | 30.5 | 235 | 235 | - | 6 | 15 | 323 x 365 | 405 x 363 | 445 x 403 | 6+6 | 10 | 125 | 500 |
| 630 | 429 | 474 | 425 | 569 | 272 | 535 | 780 | 505 | 460 | 750 | 25 | 250 | 260 | 190 | 6 | 18 | 513 x 435 | 573 x 495 | 633 x 555 | 10+6 | 10 | 125 | 550 |
| 710 | 417 | 490 | 445 | 580 | 309 | 667 | 805 | 536 | 491 | - | 36 | 317.5 | 317.5 | - | 6 | 18 | 532 x 460 | 592 x 520 | 652 x 580 | 10+8 | 12 | 125 | 500 |
| 800 | 546 | 591 | 513 | 712 | 350 | 800 | 970 | 386 | 350 | 605 | 26 | 280 | 203 | 77 | 6 | 15 | 640 x 500 | 700 x 560 | 760 x 620 | 6+4 | 10 | 125 | 800 |
| 900 | 615 | 664 | 577 | 801 | 380 | 880 | 1080 | 536 | 491 | 862 | 26 | 400 | 245 | 155 | 6 | 18 | 720 x 560 | 780 x 620 | 840 x 680 | 10+4 | 10 | 125 | 900 |
| 1000 | 682 | 738 | 641 | 890 | 415 | 1050 | 1200 | 620 | 580 | 920 | 26 | 400 | 265 | 160 | 6 | 18 | 800 x 630 | 860 x 690 | 920 X 750 | 10+4 | 10 | 125 | 1000 |



Construction

Single inlet belt driven centrifugal fan with spiral formed casing in steel sheet, welded and powder coated RAL9002. Impeller with backward straight self-cleaning blades in steel sheet. Casing and impellers in other materials for example stainless steel or galvanized sheet may be supplied on request.

Motor

230/400V or 400/690V, 50Hz three-phase asynchronous motor with squirrel cage rotor. Enclosure IP55, insulation class F. Special voltage or frequency, improved enclosure IP65, explosion proof motor can be supplied on request.

Wiring diagram see page 235.

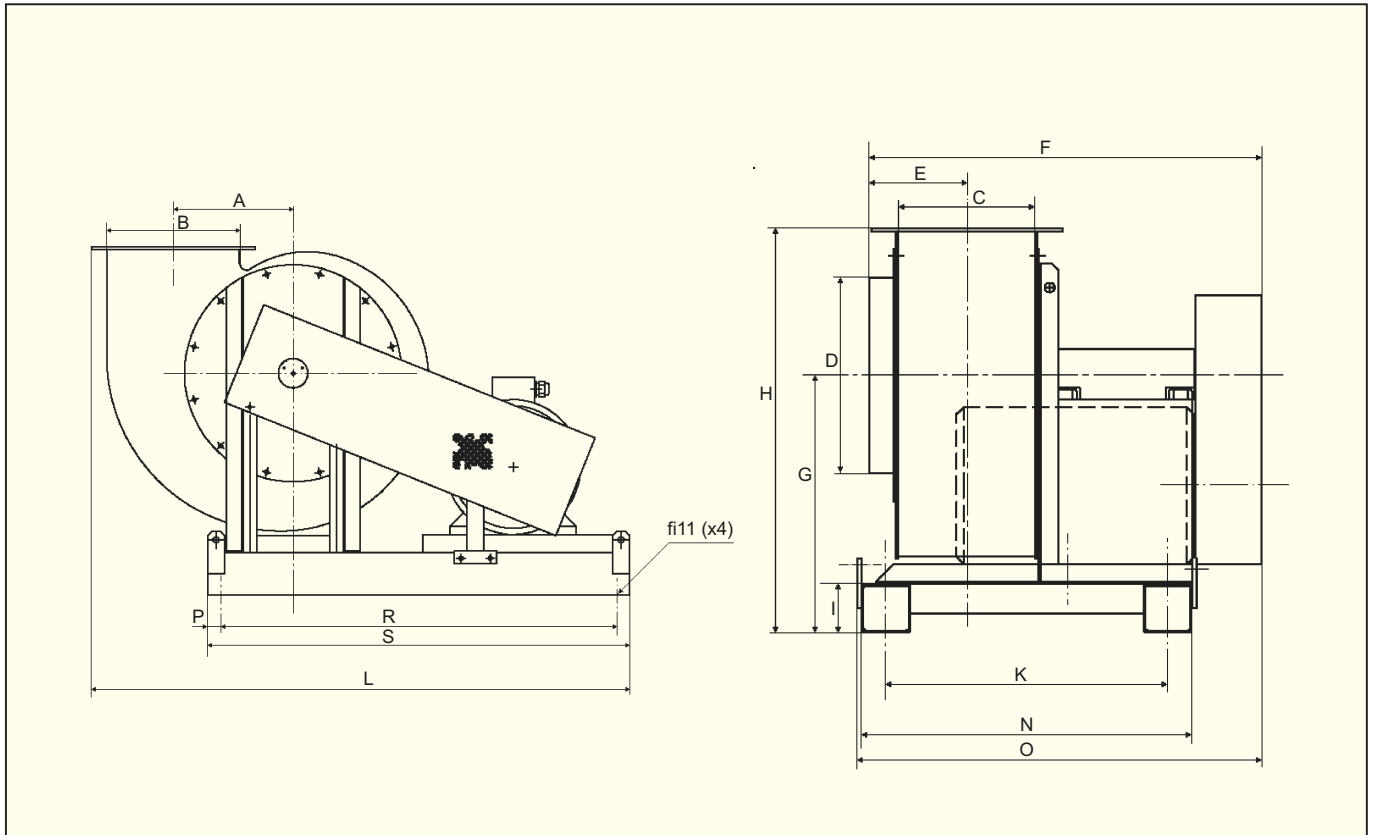
Accessories

Inlet and outlet fittings, wire guards, dampers, etc.

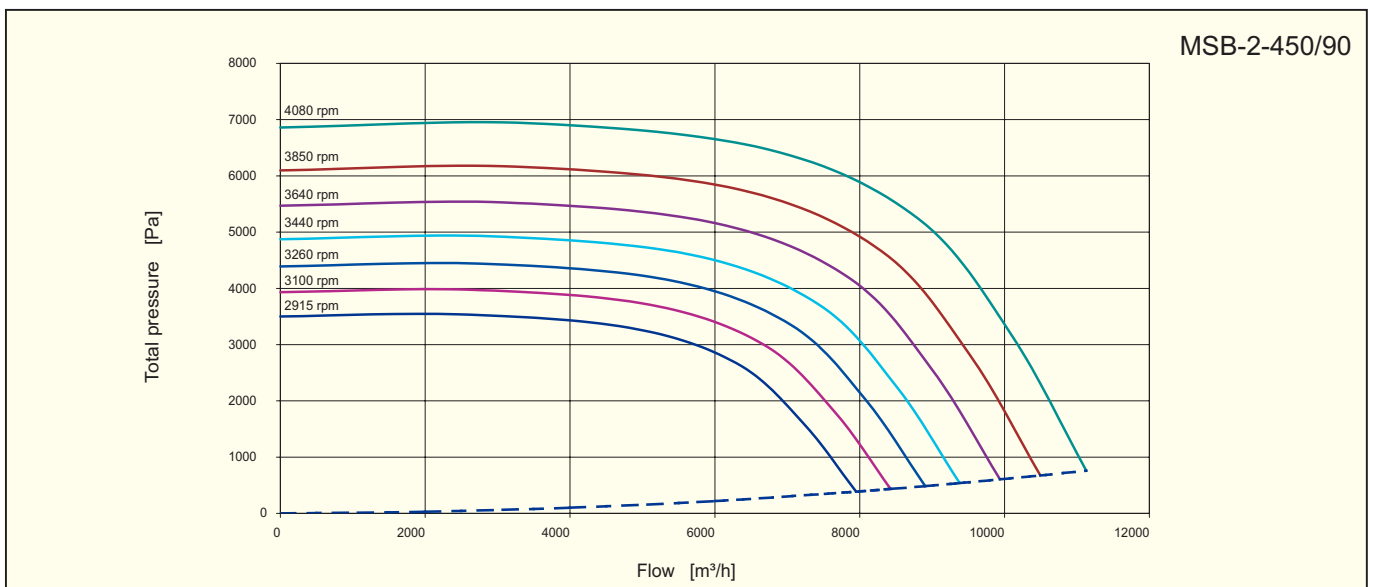
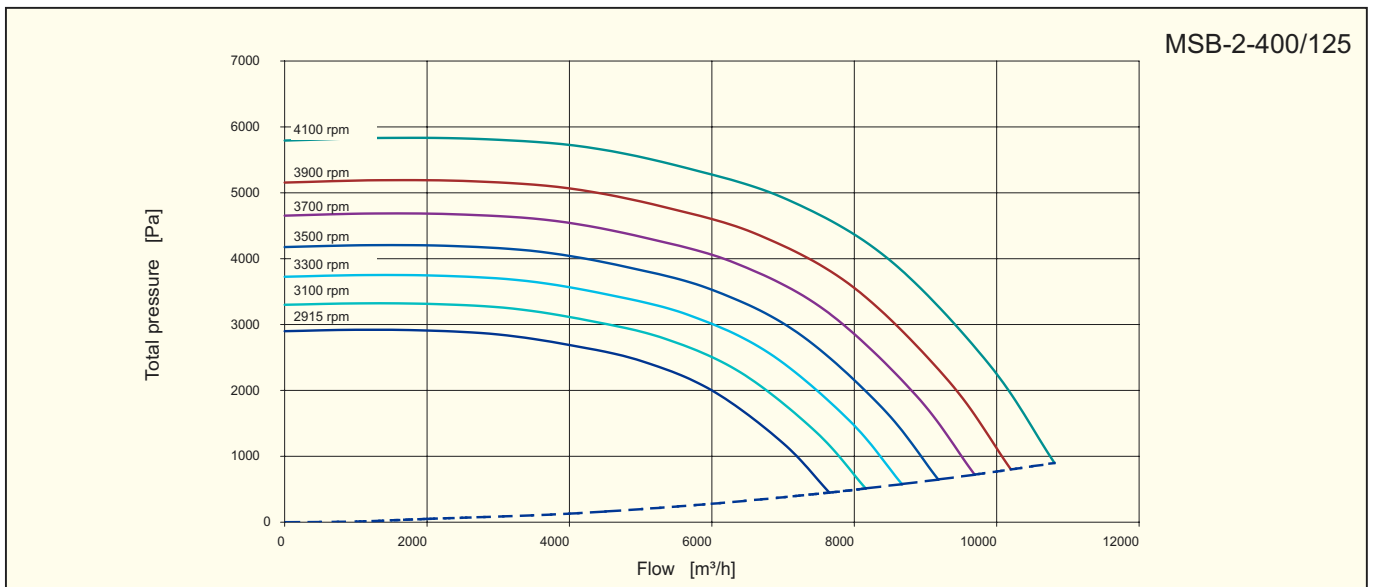
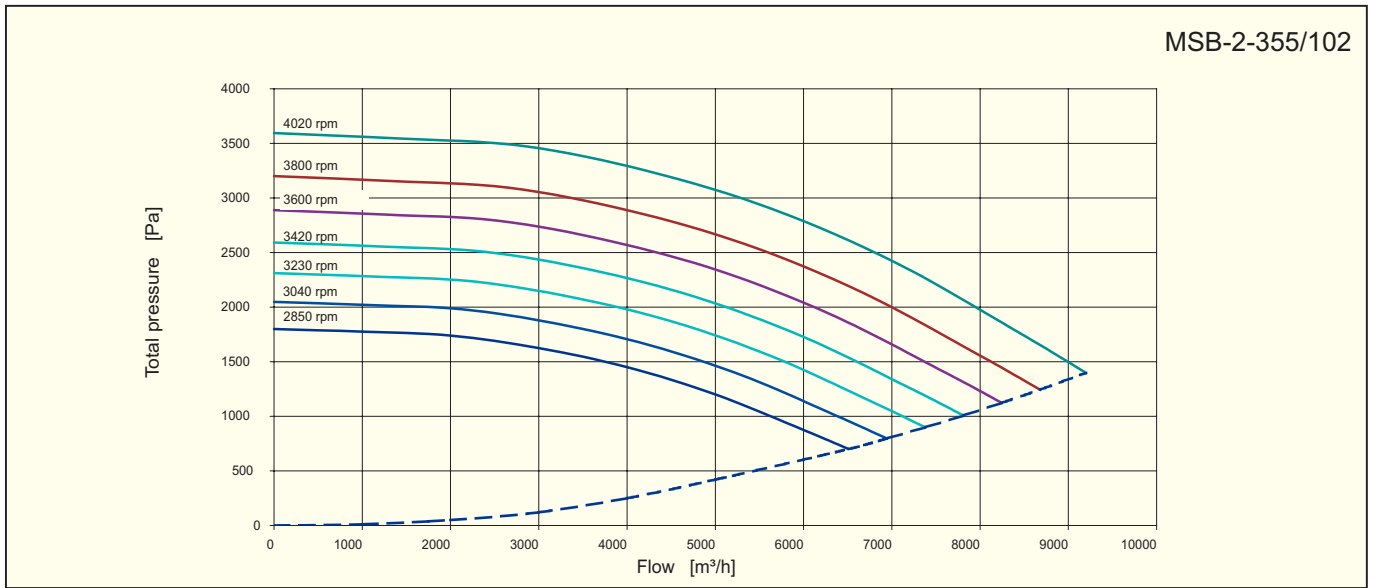


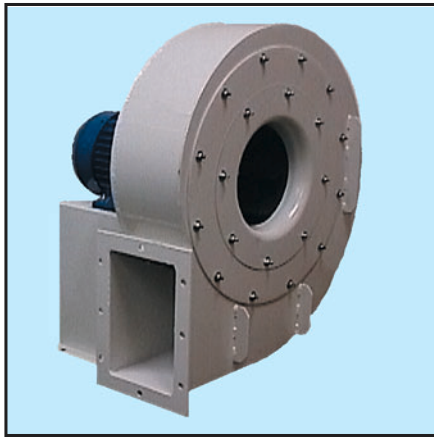
| Type | Motor power kW | Speed rpm | Voltage V | Maximum current A | Maximum duty m ³ /h | Pressure max Pa | Weight kg | Article number |
|----------------------|-------------------|--------------|--------------|----------------------|-----------------------------------|--------------------|--------------|----------------|
| MSB-355/102-28-220T | 2,2 | 2850 | 400 | 4,6 | 6500 | 1800 | 155 | 113364355 |
| MSB-355/102-30-300T | 3,0 | 3050 | 400 | 6,0 | 6950 | 2050 | 160 | 113364360 |
| MSB-355/102-32-400T | 4,0 | 3230 | 400 | 7,8 | 7350 | 2300 | 165 | 113364365 |
| MSB-355/102-34-550T | 5,5 | 3420 | 400 | 10,3 | 7800 | 2550 | 180 | 113364370 |
| MSB-355/102-36-550T | 5,5 | 3600 | 400 | 10,3 | 8250 | 2850 | 180 | 113364375 |
| MSB-355/102-38-550T | 5,5 | 3800 | 400 | 10,3 | 8650 | 3200 | 180 | 113364380 |
| MSB-355/102-40-750T | 7,5 | 4020 | 400 | 13,7 | 9200 | 3600 | 185 | 113364385 |
| MSB-400/125-29-400T | 4,0 | 2900 | 400 | 7,8 | 7650 | 2900 | 180 | 113364400 |
| MSB-400/125-31-550T | 5,5 | 3100 | 400 | 10,3 | 8150 | 3300 | 195 | 113364405 |
| MSB-400/125-33-750T | 7,5 | 3300 | 400 | 13,7 | 8650 | 3720 | 200 | 113364410 |
| MSB-400/125-35-750T | 7,5 | 3500 | 400 | 13,7 | 9180 | 4170 | 200 | 113364415 |
| MSB-400/125-37-1100T | 11,0 | 3700 | 400 | 20,2 | 9700 | 4650 | 220 | 113364420 |
| MSB-400/125-39-1100T | 11,0 | 3900 | 400 | 20,2 | 10200 | 5150 | 220 | 113364425 |
| MSB-400/125-41-1500T | 15,0 | 4100 | 400 | 26,7 | 10800 | 5800 | 230 | 113364430 |
| MSB-450/90-29-750T | 7,5 | 2900 | 400 | 13,7 | 7950 | 3500 | 210 | 113364450 |
| MSB-450/90-31-1100T | 11,0 | 3100 | 400 | 20,2 | 8400 | 3900 | 230 | 113364455 |
| MSB-450/90-33-1500T | 15,0 | 3260 | 400 | 26,7 | 8900 | 4300 | 230 | 113364460 |
| MSB-450/90-35-1500T | 15,0 | 3440 | 400 | 26,7 | 9350 | 4850 | 240 | 113364465 |
| MSB-450/90-37-1850T | 18,5 | 3640 | 400 | 32,2 | 9900 | 5450 | 255 | 113364470 |
| MSB-450/90-39-1850T | 18,5 | 3850 | 400 | 32,2 | 10500 | 6100 | 255 | 113364475 |
| MSB-450/90-41-2200T | 22,0 | 4080 | 400 | 39,3 | 11100 | 6850 | 275 | 113364480 |

Dimensions in mm



| Type | A | B | C | D | E | F | G | H | I | K | L | N | O | P | R | S |
|------|-----|-----|-----|-----|-----|-----|-----|-----|-----|-----|------|-----|-----|----|-----|------|
| 355 | 225 | 243 | 232 | 315 | 172 | | 425 | 700 | | | 1150 | | | | | |
| 400 | 273 | 328 | 258 | 355 | 183 | 800 | 525 | 800 | 100 | 575 | 1200 | 675 | 825 | 30 | 940 | 1000 |
| 450 | 284 | 308 | 280 | 400 | 199 | | 525 | 825 | | | 1275 | | | | | |





Construction

Single inlet direct driven centrifugal fan with spiral formed casing in steel sheet, welded and powder coated RAL9002. Impeller with backward curved blades in steel sheet. Casing and impeller in other materials for example stainless steel or galvanized steel sheet may be supplied on request.

Motor

220-240/380-420V, 50Hz (380-420/660-690V over 3kW) three-phase or 220-240V, 50Hz single-phase asynchronous motor with squirrel cage rotor. Insulation class F, enclosure IP55. Special voltage or frequency, improved enclosure IP65, 2-speed motors and explosion proof motors can be supplied on request. Wiring diagram, see page 235.



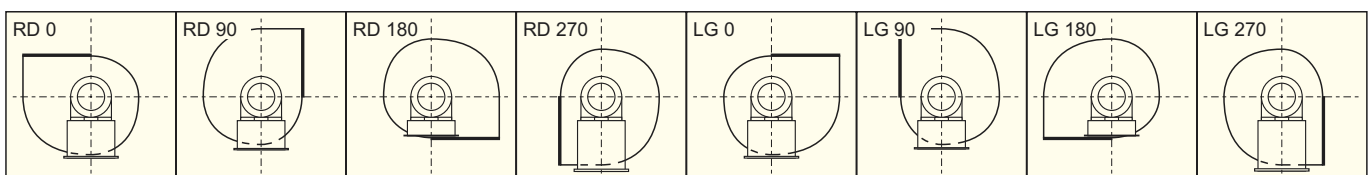
Accessories

Inlet and outlet fittings, wire guards, dampers, etc.

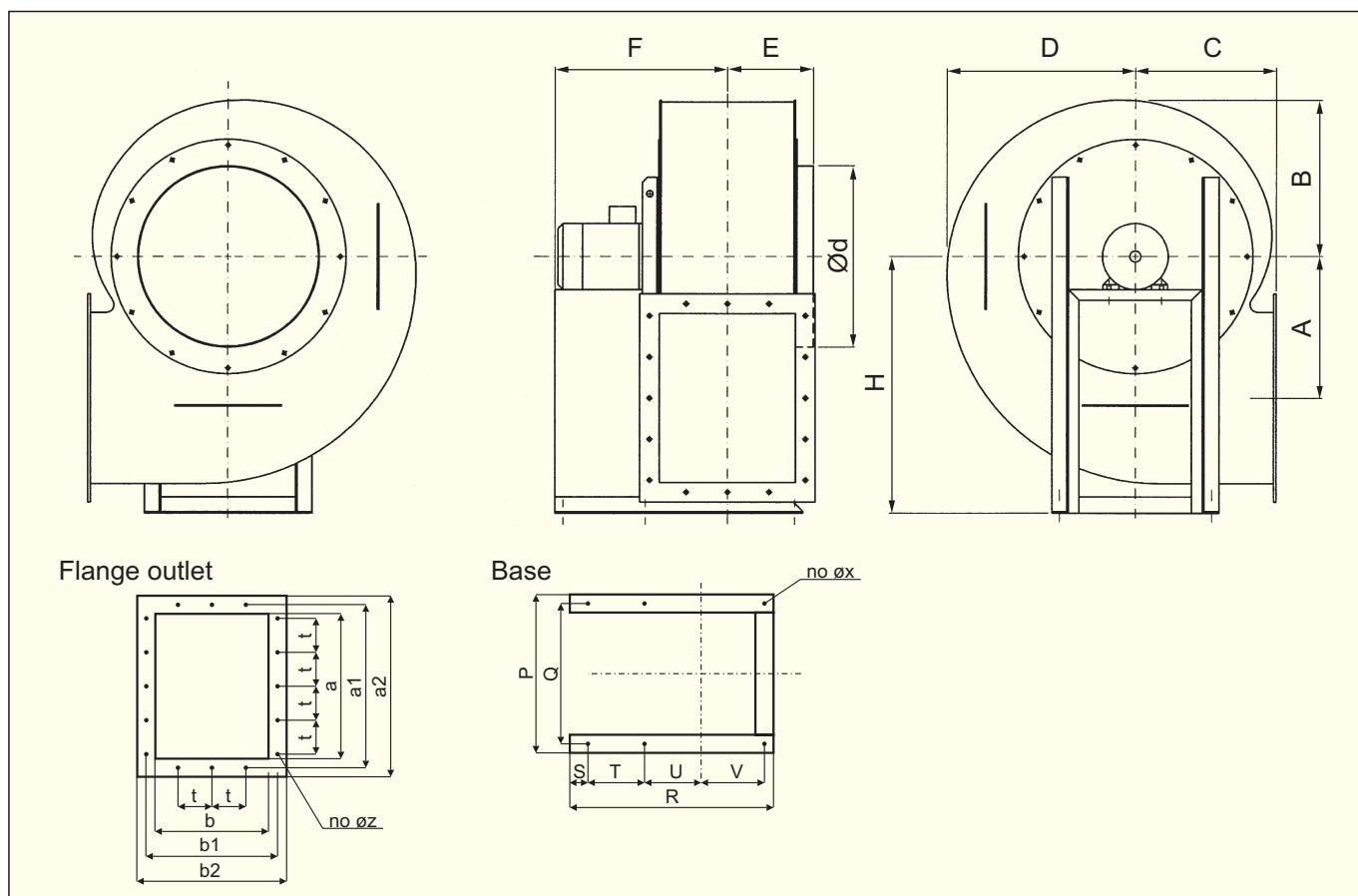
Data

| Type | Speed rpm | Motor power kW | Maximum current A | Maximum duty m³/h | Maximum pressure Pa | Sound level* dB(A) | Weight kg | Article number |
|---------------------|--------------|----------------------|-------------------------|-------------------------|---------------------------|--------------------------|--------------|----------------|
| HSB-2-355/53-110T | 2900 | 1.1 | 2.5 | 1800 | 2100 | 79 | 57 | 113 365 355 |
| HSB-2-400/67-220T | 2900 | 2.2 | 4.6 | 4400 | 2700 | 84 | 67 | 113 365 400 |
| HSB-2-450/75-400T | 2900 | 4.0 | 7.8 | 5500 | 3400 | 86 | 75 | 113 365 450 |
| HSB-2-500/85-750T | 2900 | 7.5 | 14.0 | 8500 | 4200 | 88 | 125 | 113 365 500 |
| HSB-2-560/95-1100T | 2900 | 11.0 | 21.2 | 11000 | 5800 | 90 | 140 | 113 365 560 |
| HSB-2-630/106-1850T | 2900 | 18.5 | 32.0 | 8900 | 6800 | 95 | 297 | 113 365 630 |
| HSB-2-710/85-2200T | 2900 | 22.0 | 40.0 | 8500 | 9200 | 99 | 305 | 113 365 710 |

* - in the middle of the performance curve.



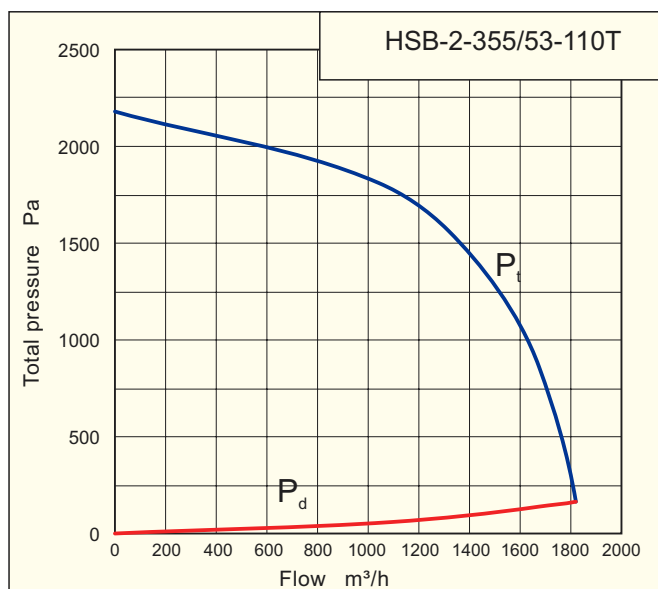
HSB fans are supplied as a standard in LG design.

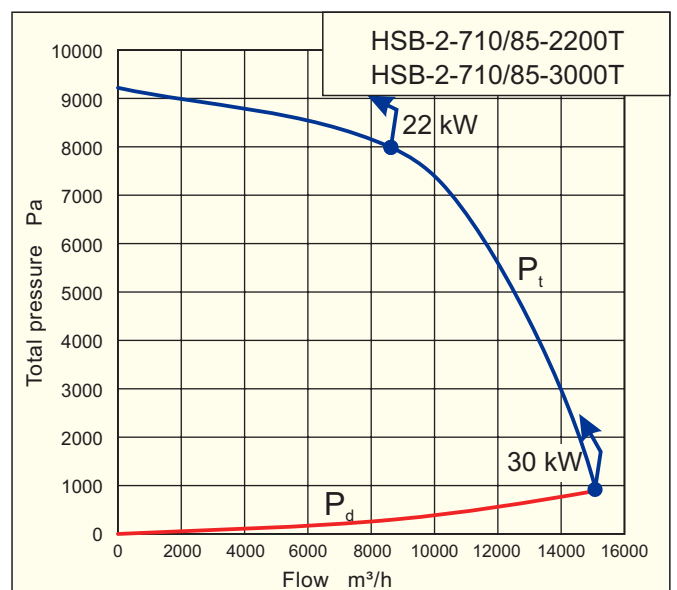
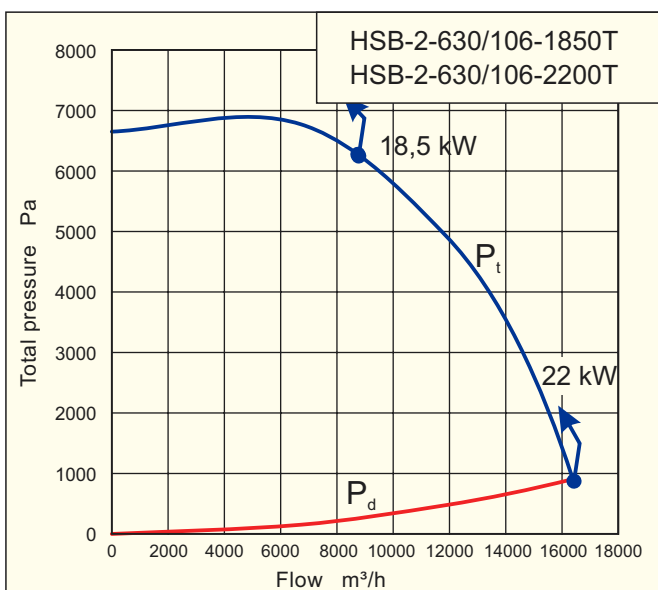
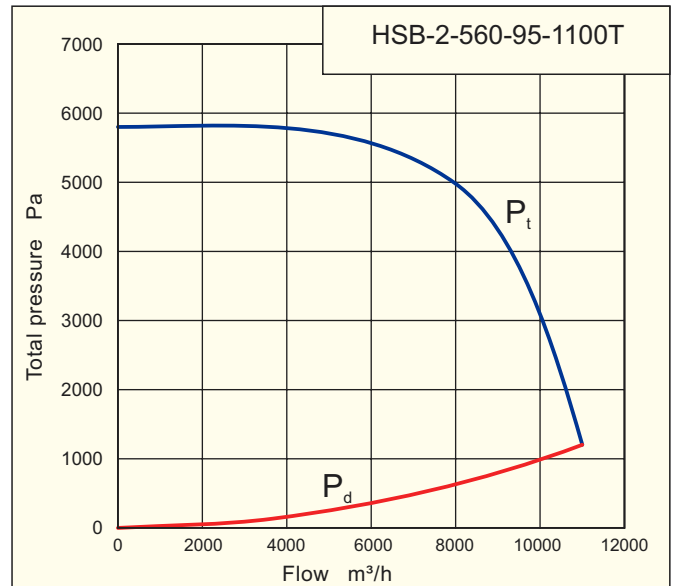
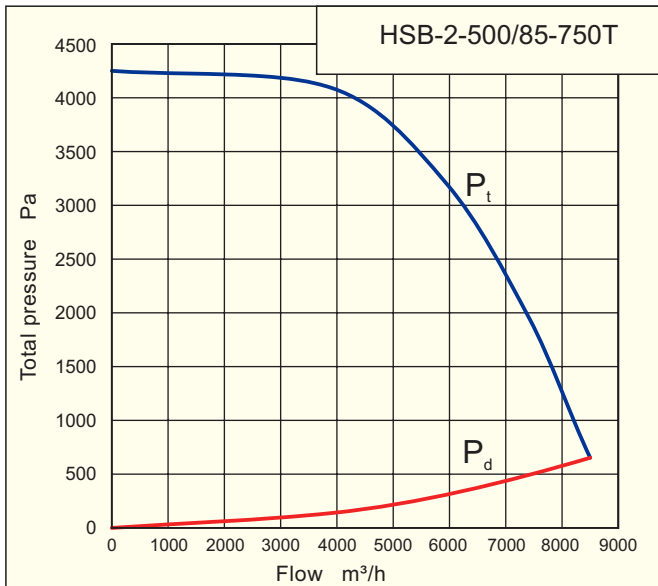
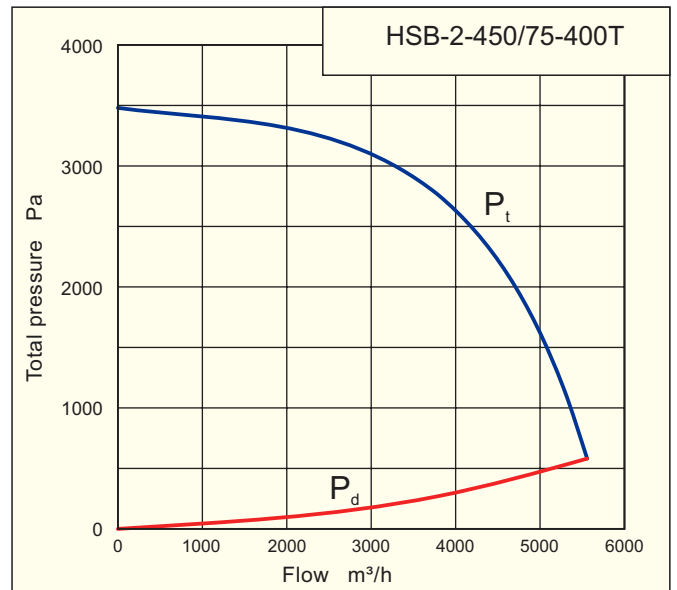
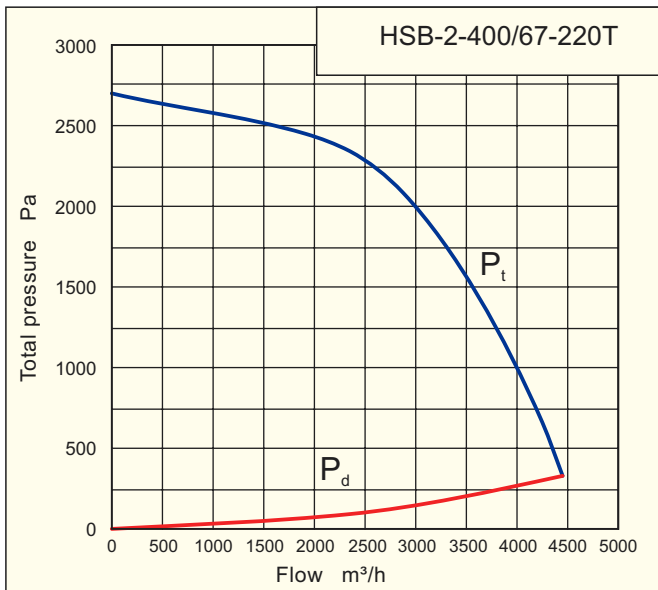


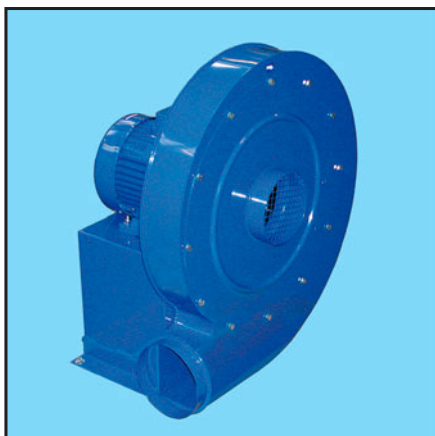
Dimensions in mm

| Type | A | B | C | D | E | F | H | P | Q | R | S | T | U | V | no | øx | a x a1 | a2 x b | b1 x b2 | no | øz | t | ød |
|------|-----|-----|-----|-----|-----|-----|-----|-----|-----|-----|------|-----|-------|------|----|----|-----------|-----------|-----------|------|----|-----|-----|
| 355 | 225 | 256 | 230 | 298 | 123 | 300 | 400 | 257 | 230 | 230 | 38 | 150 | 110.5 | 99.5 | 4 | 12 | 243 x 278 | 313 x 133 | 168 x 203 | 6+4 | 8 | 112 | 200 |
| 400 | 273 | 304 | 265 | 364 | 135 | 361 | 500 | 276 | 240 | 436 | 31 | 190 | 140 | 50 | 6 | 12 | 328 x 368 | 408 x 158 | 198 x 238 | 6+4 | 10 | 125 | 250 |
| 450 | 284 | 322 | 300 | 375 | 142 | 437 | 500 | 316 | 280 | 517 | 27 | 235 | 175 | 60 | 6 | 15 | 308 x 348 | 388 x 170 | 210 x 250 | 6+4 | 10 | 125 | 315 |
| 500 | 341 | 377 | 335 | 453 | 151 | 532 | 610 | 396 | 360 | 600 | 25 | 200 | 306.5 | 43.5 | 6 | 15 | 408 x 448 | 488 x 189 | 229 x 269 | 8+4 | 10 | 125 | 315 |
| 560 | 323 | 380 | 360 | 428 | 164 | 510 | 560 | 386 | 350 | 605 | 25.5 | 280 | 203 | 77 | 6 | 15 | 323 x 363 | 403 x 211 | 251 x 291 | 6+4 | 10 | 125 | 355 |
| 630 | 429 | 474 | 425 | 569 | 174 | 629 | 780 | 505 | 460 | 750 | 25 | 250 | 354 | 96 | 6 | 18 | 513 x 573 | 633 x 234 | 294 x 354 | 10+4 | 10 | 125 | 400 |
| 710 | 417 | 490 | 445 | 580 | 182 | 682 | 805 | 536 | 491 | 862 | 26 | 400 | 245 | 155 | 6 | 18 | 532 x 592 | 652 x 210 | 270 x 330 | 10+4 | 12 | 125 | 500 |

Performance curves







Construction

Single inlet centrifugal fan with spiral formed casing, impeller with self cleaning blades.

Fan GST-2-180/00 has impeller and casing of stainless acid proof steel and temperature barrier which allows max. temperature 150°C.

Motor

220-240/380-420V, 50Hz (380-420/660-690V above 3kW) three-phase asynchronous motor. Enclosure IP55, insulation class F. Special voltage or frequency, improved enclosure IP65 and explosion proof motor can be supplied on request.

Wiring diagram, see page 235.



GST-2-180/00



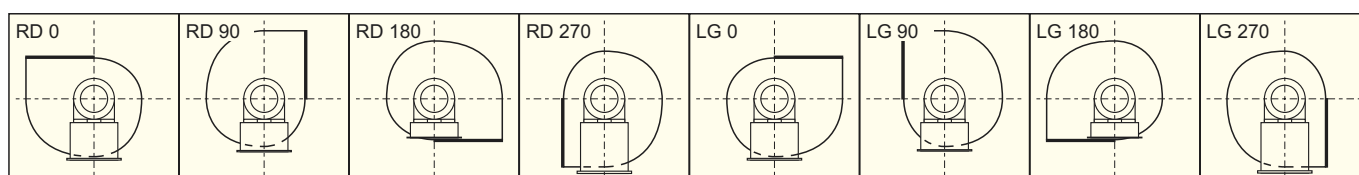
Accessories

Inlet and outlet fittings, wire guard, etc.

Data

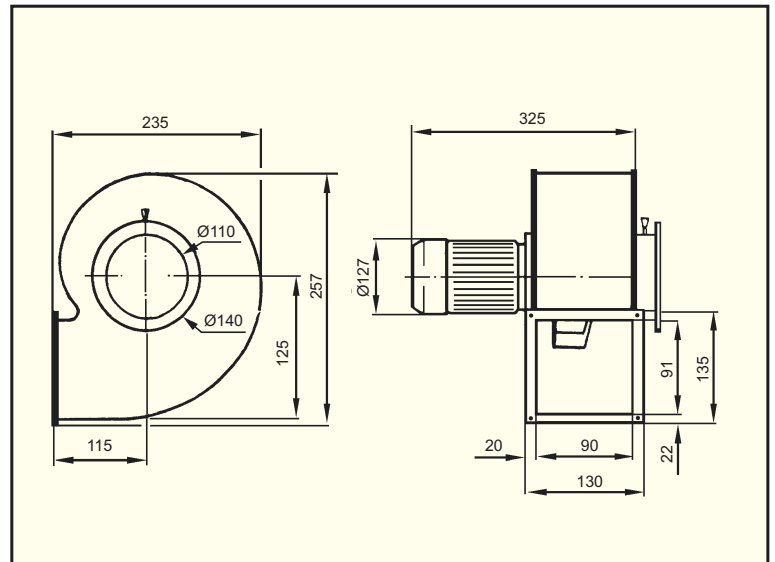
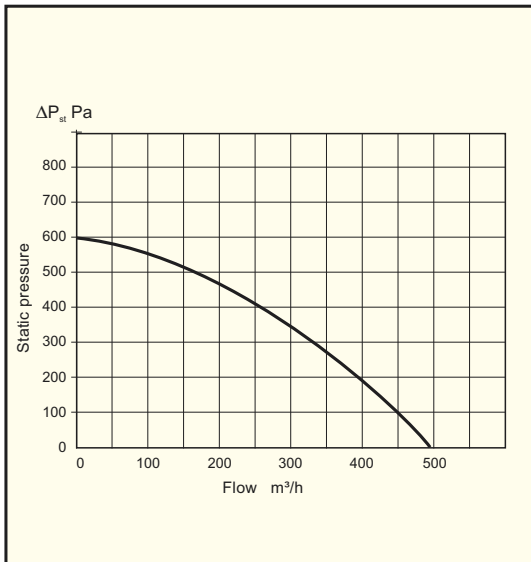
| Type | Motor power kW | Voltage V | Maximum current A | Maximum duty m³/h | Pressure (max) Pa | Sound level * dB(A) | Weight kg | Article number |
|--------------------|----------------|-----------|-------------------|-------------------|-------------------|---------------------|-----------|----------------|
| GST-2-180/00-018T | 0,18 | 230/400 | 1,07/0,62 | 500 | 600 | 77 | 7 | 113 211 001 |
| GST-2-180/75-055T | 0,55 | 230/400 | 2,37/1,37 | 950 | 600 | 79 | 9 | 113 350 275 |
| GST-2-440/40-110T | 1,10 | 230/400 | 4,20/2,45 | 580 | 3900 | 87 | 15 | 113 371 040 |
| GST-2-440/40-220T | 2,20 | 230/400 | 8,30/4,80 | 1600 | 3900 | 87 | 30 | 113 371 140 |
| GST-2-520/40-400T | 4,00 | 400/690 | 7,80/4,45 | 2800 | 5100 | 92 | 50 | 113 371 601 |
| GST-2-520/40-550T | 5,00 | 400 | 10,90 | 3500 | 5100 | 94 | 55 | 113 371 620 |
| GST-2-600/40-750T | 7,50 | 400 | 14,00 | 5200 | 7150 | 94 | 83 | 113 371 640 |
| GST-2-600/40-1100T | 11,00 | 400 | 21,20 | 5900 | 7150 | 98 | 108 | 113 371 660 |

* - in the middle of the performance curve.

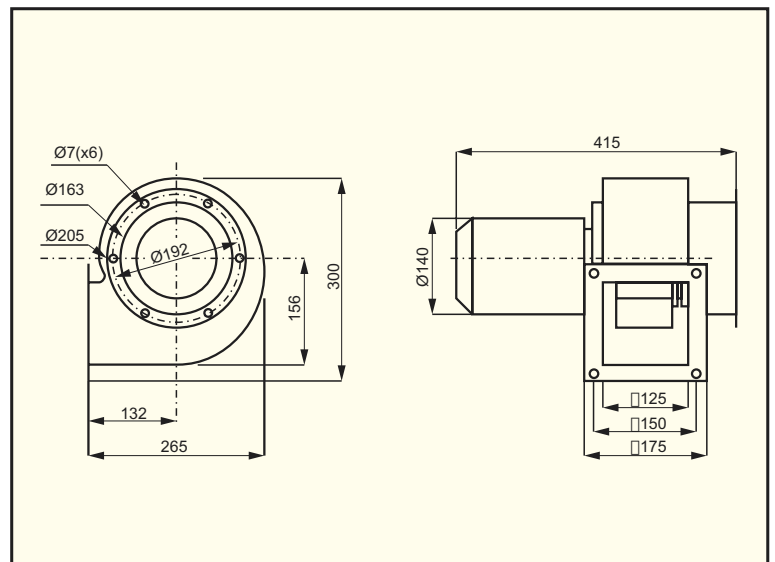
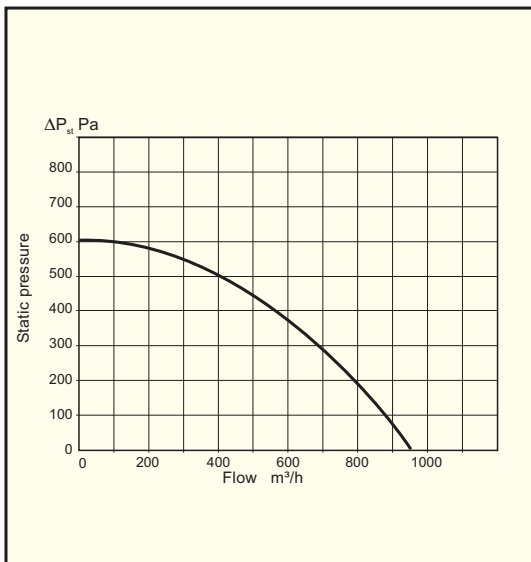


Performance curves

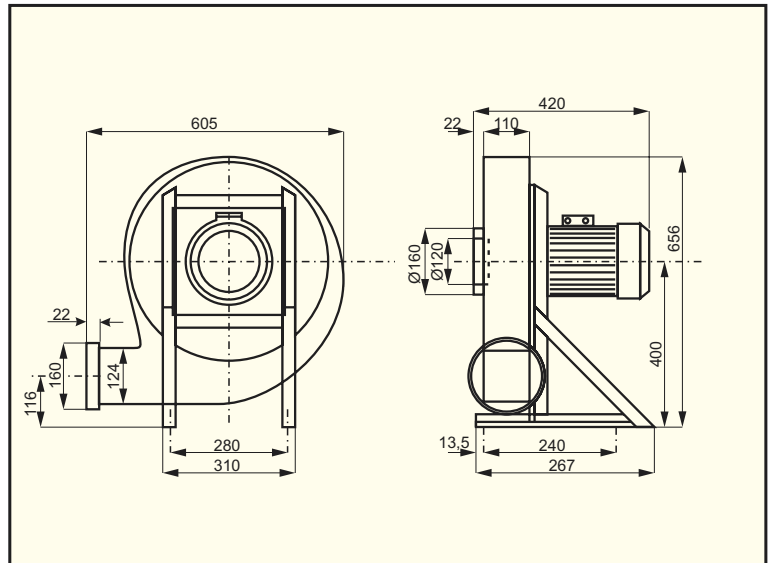
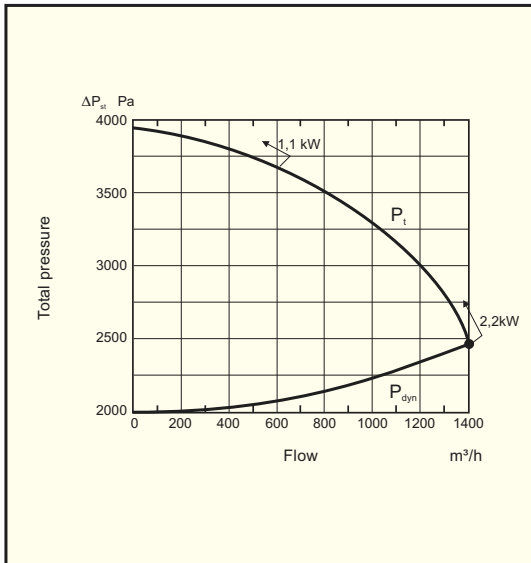
GST-2-180/00-018T



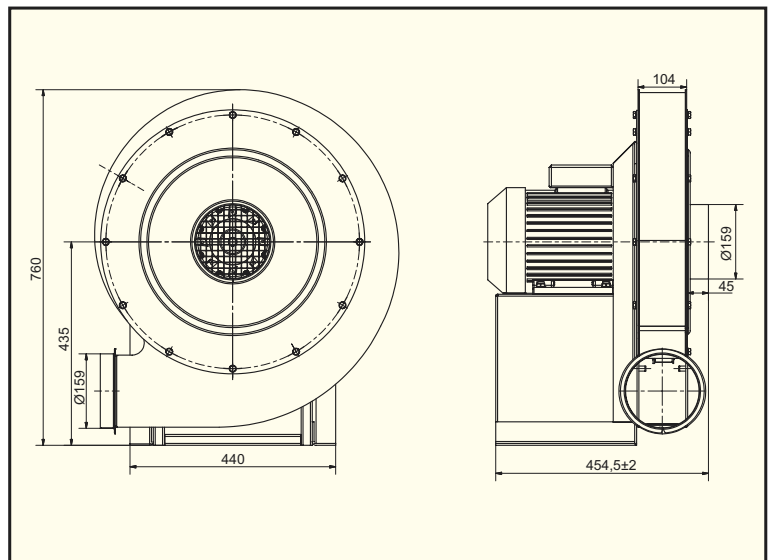
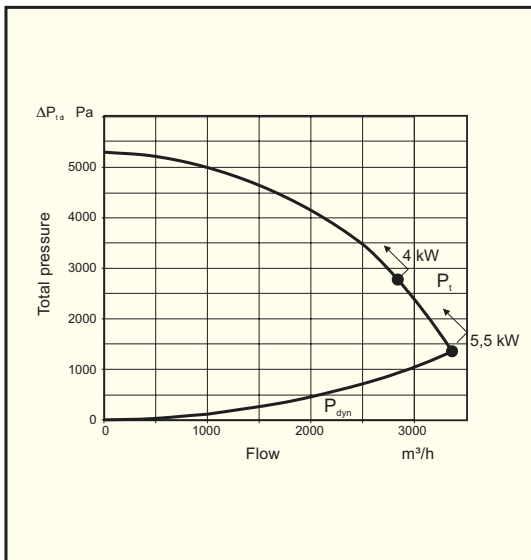
GST-2-180/75-055T



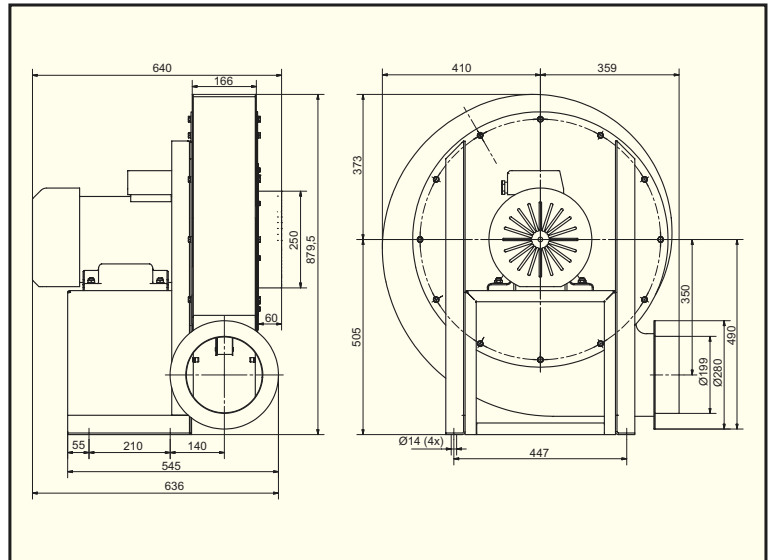
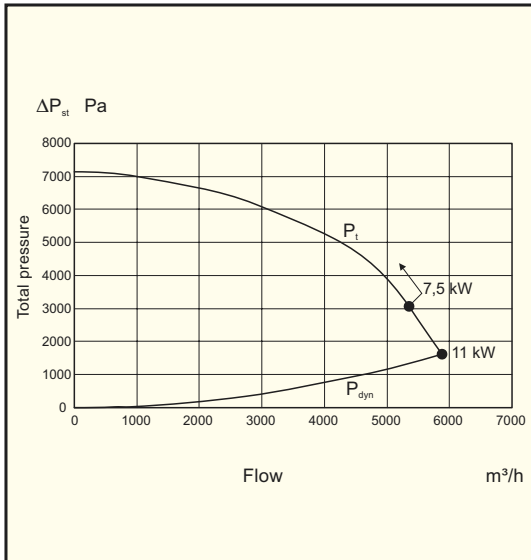
GST-2-440/40 - □T

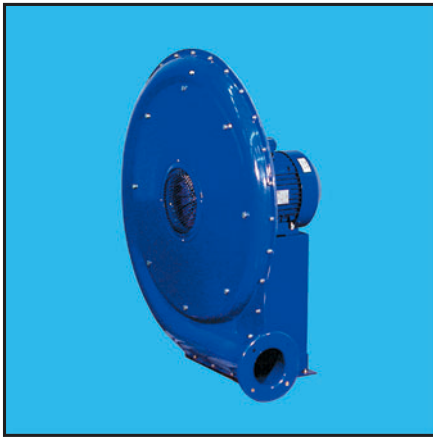


GST-2-520/40 - □T



GST-2-600/40 - □T





Construction

Radial bladed impeller of steel sheet riveted and welded construction, dynamically balanced. The casing comprises two sheet steel pressings bolted together to enclose the impeller. The motor pedestal has a pressed steel front plate to which the casing is bolted at the desired angle. The fan is designed for non-aggressive and non-explosive gases. Design for corrosive gases, higher running temperatures, etc. can be supplied on request.

Motor

230/400V, 50Hz (400/690V, 50Hz) three-phase asynchronous motor, suitable for speed control with frequency control. Insulation class F, enclosure IP55. Special voltage or frequency, improved enclosure IP65, 2-speed motors and explosion proof motors can be supplied on request. Wiring diagram, see page 235.



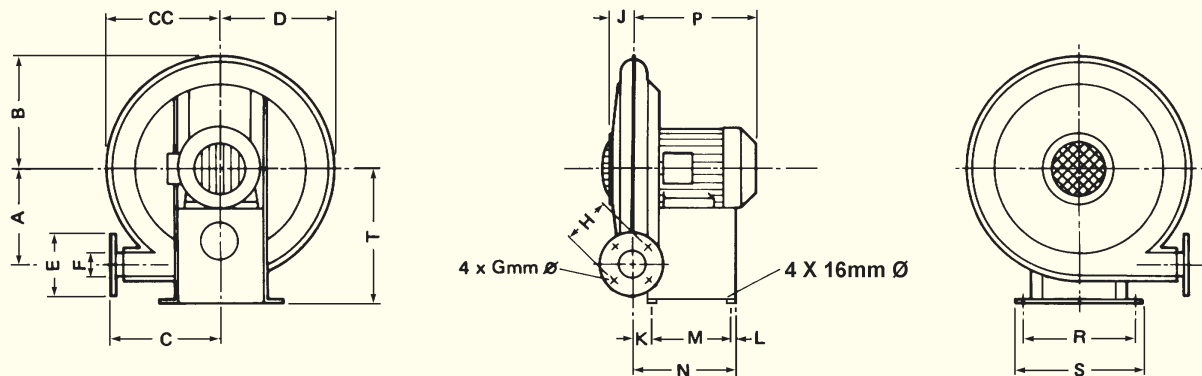
Accessories

Inlet flanges, filter and silencers.

Dimensions in mm

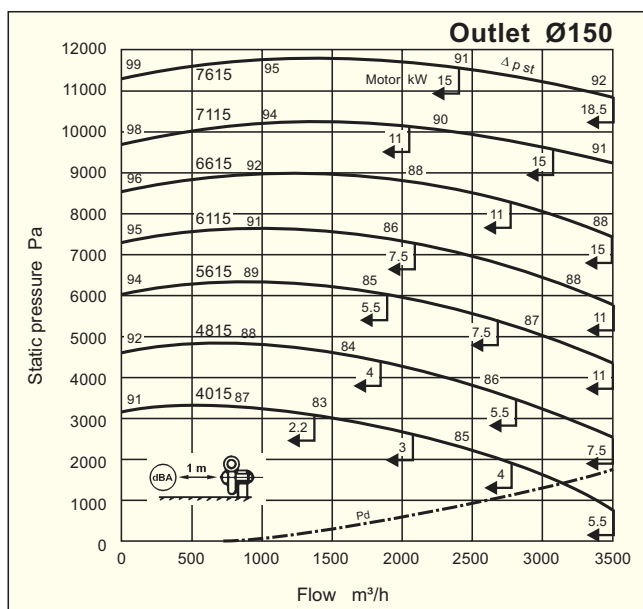
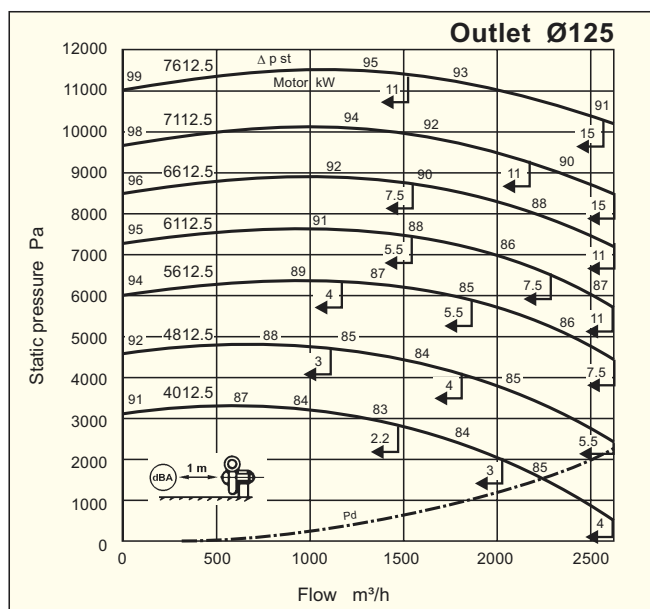
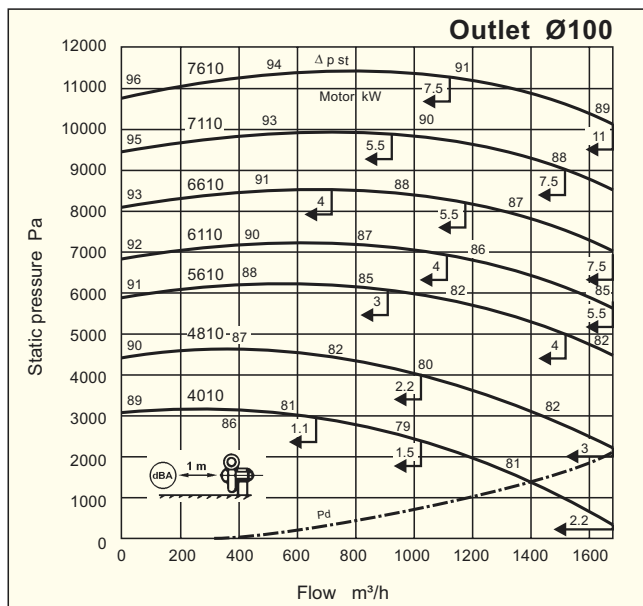
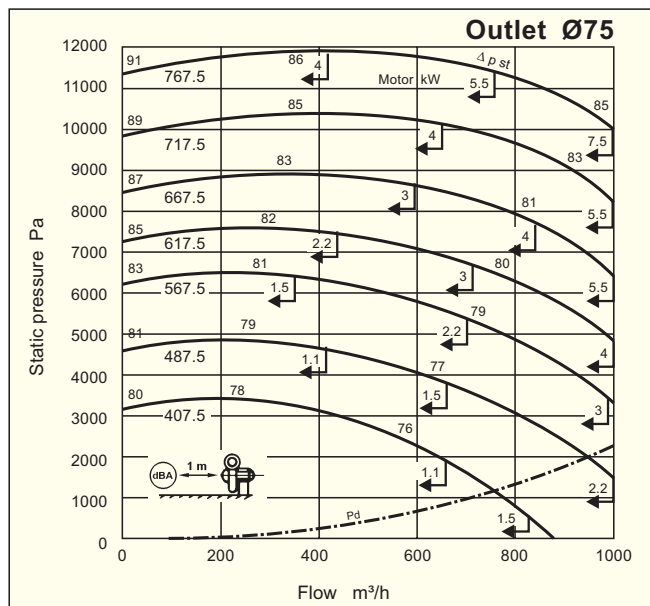
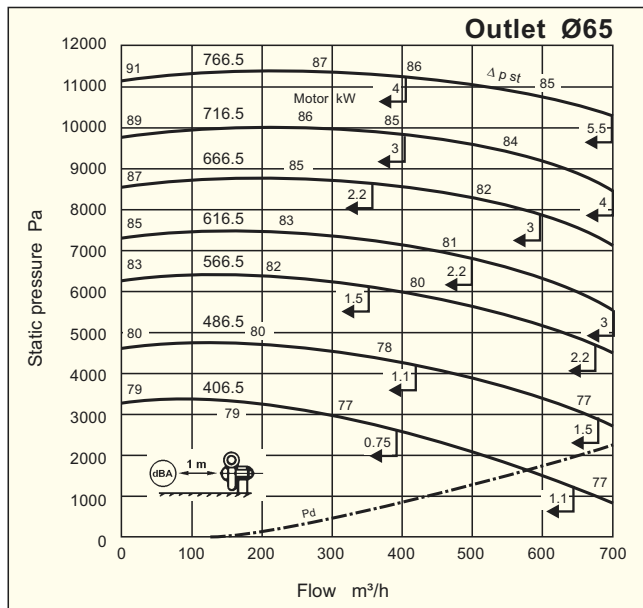
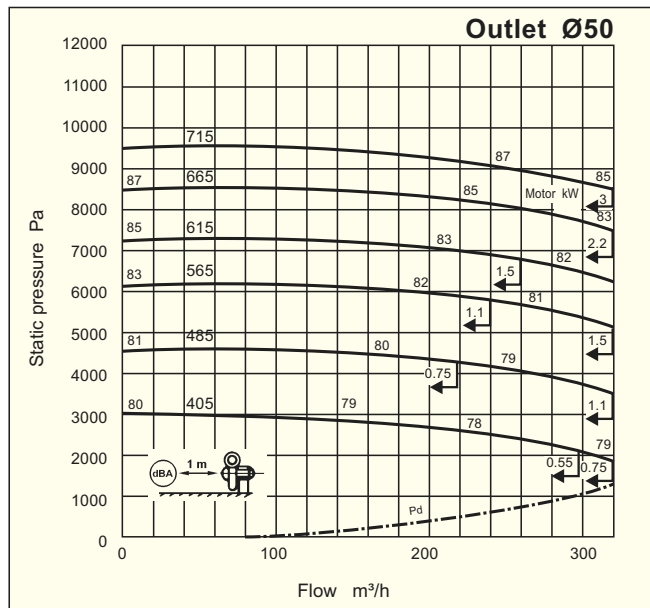
| | R0 | R45 | R90 | R135 | R180 | R225 | R270 | LO | L45 | L90 | L135 | L180 | L225 | L270 | | | | | | |
|-----------------------------|-----|-----|-----|------|------|------|------|----|-----|-----|------|------|----------|------|-----|-----|-----|-----|-----|-----------|
| Outlet Ø50, Ø65, Ø75 | | | | | | | | | | | | | | | | | | | | |
| | | | | | | | | | | | | | | | | | | | | |
| Type | A | B | C | CC | D | E | F | G | H | J | K | L | Motor kW | M | N | P | R | S | T | Weight kg |
| 40 5 | | | | | | 140 | 50 | 11 | 108 | | | | 0.55 | 153 | 235 | 267 | 267 | 305 | 362 | 31 |
| 40 6.5 | 260 | 277 | 260 | 265 | 290 | 140 | 65 | 11 | 108 | 50 | 57 | 25 | 0.75/1.1 | 153 | 235 | 272 | 267 | 305 | 372 | 35 |
| 40 7.5 | | | | | | 160 | 75 | 11 | 127 | | | | 1.5 | 204 | 286 | 287 | 318 | 356 | 382 | 38 |
| 48 5 | | | | | | 140 | 50 | 11 | 108 | | | | 0.75/1.1 | 153 | 235 | 272 | 267 | 305 | 385 | 41 |
| 48 6.5 | 298 | 318 | 288 | 304 | 330 | 140 | 65 | 11 | 108 | 50 | 57 | 25 | 1.5 | 204 | 286 | 287 | 318 | 356 | 395 | 44 |
| 48 7.5 | | | | | | 160 | 75 | 11 | 127 | | | | 2.2 | 204 | 286 | 315 | 318 | 356 | 395 | 46 |
| 56 5 | | | | | | 140 | 50 | 11 | 108 | | | | 1.1 | 153 | 235 | 272 | 267 | 305 | 428 | 46 |
| | | | | | | | | | | | | | 1.5 | 204 | 286 | 287 | 318 | 356 | 438 | 49 |
| 56 6.5 | 337 | 356 | 327 | 343 | 368 | 140 | 65 | 11 | 108 | 50 | 57 | 25 | 2.2 | 204 | 286 | 315 | 318 | 356 | 438 | 51 |
| | | | | | | | | | | | | | 3 | 204 | 286 | 344 | 318 | 356 | 448 | 59 |
| | | | | | | | | | | | | | 4 | 204 | 286 | 344 | 318 | 356 | 460 | 68 |
| 56 7.5 | | | | | | 160 | 75 | 11 | 127 | | | | 5.5/7.5 | 241 | 324 | 432 | 368 | 406 | 468 | 81 |
| 61 5 | | | | | | 140 | 50 | 11 | 108 | | | | 1.5 | 204 | 286 | 287 | 318 | 356 | 457 | 54 |
| | | | | | | | | | | | | | 2.2 | 204 | 286 | 315 | 318 | 356 | 457 | 56 |
| 61 6.5 | 362 | 381 | 352 | 368 | 394 | 140 | 65 | 11 | 108 | 50 | 57 | 25 | 3 | 204 | 286 | 344 | 318 | 356 | 467 | 64 |
| | | | | | | | | | | | | | 4 | 204 | 286 | 384 | 318 | 356 | 479 | 73 |
| 61 7.5 | | | | | | 160 | 75 | 11 | 127 | | | | 5.5/7.5 | 241 | 324 | 432 | 368 | 406 | 479 | 81 |
| 66 5 | | | | | | 140 | 50 | 11 | 108 | | | | 1.5 | 204 | 286 | 287 | 318 | 356 | 480 | 59 |
| | | | | | | | | | | | | | 2.2 | 204 | 286 | 315 | 318 | 356 | 480 | 61 |
| 66 6.5 | 387 | 406 | 377 | 393 | 419 | 140 | 65 | 11 | 108 | 50 | 57 | 25 | 3 | 204 | 286 | 344 | 318 | 356 | 490 | 70 |
| | | | | | | | | | | | | | 4 | 204 | 286 | 384 | 318 | 356 | 502 | 79 |
| 66 7.5 | | | | | | 160 | 75 | 11 | 127 | | | | 5.5/7.5 | 241 | 324 | 432 | 368 | 406 | 480 | 92 |
| 71 5 | | | | | | 140 | 50 | 11 | 108 | | | | 3 | 204 | 286 | 344 | 318 | 356 | 499 | 80 |
| 71 6.5 | 413 | 432 | 403 | 419 | 445 | 140 | 65 | 11 | 108 | 50 | 57 | 25 | 4 | 204 | 286 | 384 | 318 | 356 | 511 | 89 |
| 71 7.5 | | | | | | 160 | 75 | 11 | 127 | | | | 5.5/7.5 | 241 | 324 | 432 | 368 | 406 | 499 | 102 |
| 76 6.5 | | | | | | 140 | 65 | 11 | 108 | | | | 4 | 204 | 286 | 384 | 318 | 356 | 525 | 99 |
| 76 7.5 | 439 | 457 | 429 | 445 | 470 | 160 | 75 | 11 | 127 | 50 | 57 | 25 | 5.5/7.5 | 241 | 324 | 432 | 368 | 406 | 525 | 112 |

Outlet Ø100, Ø125, Ø150



| Type | A | B | C | CC | D | E | F | G | H | J | K | L | Motor kW | M | N | P | R | S | T | Weight kg |
|------------------|-----|-----|-----|-----|-----|-----|-----|----|-----|----|-----|----|----------|-----|-----|-----|-----|-----|-----|-----------|
| 40 10 | 275 | 295 | 260 | 274 | 315 | 197 | 100 | 11 | 152 | 50 | 75 | 25 | 1.1 | 153 | 253 | 290 | 267 | 305 | 400 | 38 |
| | | | | | | | | | | | | | 1.5 | 203 | 303 | 317 | 318 | 356 | 410 | 41 |
| | | | | | | | | | | | | | 2.2 | 203 | 303 | 318 | 318 | 356 | 410 | 43 |
| 48 10 | 314 | 334 | 297 | 313 | 355 | 197 | 100 | 11 | 152 | 50 | 75 | 25 | 1.5 | 203 | 303 | 317 | 318 | 356 | 438 | 48 |
| | | | | | | | | | | | | | 2.2 | 203 | 303 | 330 | 318 | 356 | 438 | 50 |
| | | | | | | | | | | | | | 3 | 203 | 303 | 360 | 318 | 356 | 448 | 58 |
| | | | | | | | | | | | | | 4 | 203 | 303 | 360 | 318 | 356 | 460 | 67 |
| | | | | | | | | | | | | | 5.5/7.5 | 241 | 341 | 430 | 368 | 406 | 438 | 80 |
| 56 10 | 352 | 372 | 335 | 351 | 393 | 197 | 100 | 11 | 152 | 50 | 75 | 25 | 3 | 203 | 303 | 360 | 318 | 356 | 467 | 65 |
| | | | | | | | | | | | | | 4 | 203 | 303 | 380 | 318 | 356 | 479 | 74 |
| | | | | | | | | | | | | | 5.5/7.5 | 241 | 341 | 430 | 368 | 406 | 480 | 87 |
| 61 10 | 378 | 397 | 360 | 376 | 418 | 197 | 100 | 11 | 152 | 50 | 75 | 25 | 3 | 203 | 303 | 360 | 318 | 356 | 490 | 73 |
| | | | | | | | | | | | | | 4 | 203 | 303 | 380 | 318 | 356 | 490 | 82 |
| | | | | | | | | | | | | | 5.5/7.5 | 241 | 341 | 430 | 368 | 406 | 499 | 95 |
| 66 10 | 403 | 422 | 386 | 401 | 443 | 197 | 100 | 11 | 152 | 50 | 75 | 25 | 4 | 203 | 303 | 380 | 318 | 356 | 525 | 92 |
| | | | | | | | | | | | | | 5.5/7.7 | 241 | 341 | 430 | 368 | 406 | 525 | 105 |
| 71 10 | 429 | 447 | 410 | 426 | 469 | 197 | 100 | 11 | 152 | 50 | 75 | 25 | 5.5/7.5 | 241 | 341 | 430 | 368 | 406 | 550 | 116 |
| | | | | | | | | | | | | | 11 | 343 | 443 | 563 | 432 | 470 | 550 | 158 |
| 76 10 | 454 | 472 | 436 | 451 | 494 | 197 | 100 | 11 | 152 | 50 | 75 | 25 | 7.5 | 241 | 341 | 430 | 368 | 406 | 570 | 127 |
| | | | | | | | | | | | | | 11 | 343 | 443 | 563 | 432 | 470 | 570 | 169 |
| 40 12.5 40 15 | 286 | 305 | 264 | 280 | 330 | 232 | 125 | 11 | 191 | 60 | 111 | 32 | 2.2 | 181 | 315 | 342 | 311 | 356 | 435 | 51 |
| | | | | | | | 150 | 11 | 216 | | | | 3 | 181 | 315 | 372 | 311 | 356 | 435 | 60 |
| | | | | | | | 150 | 11 | 216 | | | | 4 | 181 | 315 | 393 | 311 | 356 | 435 | 69 |
| 48 12.5 48 15 | 324 | 343 | 302 | 318 | 368 | 232 | 125 | 11 | 191 | 60 | 111 | 32 | 3 | 181 | 315 | 372 | 311 | 356 | 464 | 71 |
| | | | | | | | 150 | 11 | 216 | | | | 4 | 181 | 315 | 393 | 311 | 356 | 464 | 80 |
| | | | | | | | 150 | 11 | 216 | | | | 5.5/7.5 | 200 | 353 | 441 | 362 | 406 | 464 | 93 |
| 56 12.5 56 15 | 362 | 381 | 339 | 355 | 406 | 232 | 125 | 11 | 191 | 60 | 111 | 32 | 4 | 181 | 315 | 393 | 311 | 356 | 502 | 91 |
| | | | | | | | 150 | 11 | 216 | | | | 5.5/7.5 | 200 | 353 | 441 | 362 | 406 | 502 | 104 |
| | | | | | | | 150 | 11 | 216 | | | | 11/15 | 251 | 455 | 572 | 425 | 470 | 502 | 146 |
| 61 12.5 61 15 | 387 | 406 | 365 | 381 | 432 | 232 | 125 | 11 | 191 | 60 | 111 | 32 | 5.5/7.5 | 200 | 353 | 441 | 362 | 406 | 527 | 111 |
| | | | | | | | 150 | 11 | 216 | | | | 11/15 | 251 | 455 | 572 | 425 | 470 | 527 | 153 |
| 66 12.5 66 15 | 413 | 432 | 390 | 406 | 457 | 232 | 125 | 11 | 191 | 60 | 111 | 32 | 5.5/7.5 | 200 | 353 | 441 | 362 | 406 | 552 | 122 |
| | | | | | | | 150 | 11 | 216 | | | | 11/15 | 251 | 455 | 572 | 425 | 470 | 552 | 164 |
| 71 12.5 71 15 | 438 | 457 | 416 | 432 | 482 | 232 | 125 | 11 | 191 | 60 | 111 | 32 | 7.5 | 200 | 353 | 441 | 362 | 406 | 578 | 133 |
| | | | | | | | 150 | 11 | 216 | | | | 11/15 | 251 | 455 | 572 | 425 | 470 | 578 | 175 |
| | | | | | | | 150 | 11 | 216 | | | | 18.5 | 271 | 495 | 614 | 425 | 470 | 578 | 194 |
| 76 12.5 76 15 | 464 | 464 | 441 | 457 | 508 | 232 | 125 | 11 | 191 | 60 | 111 | 32 | 11/15 | 251 | 455 | 572 | 425 | 470 | 603 | 187 |
| | | | | | | | 150 | 11 | 216 | | | | 18.5 | 271 | 495 | 614 | 425 | 470 | 603 | 206 |
| | | | | | | | 150 | 11 | 216 | | | | 22 | 271 | 495 | 630 | 489 | 534 | 603 | 233 |

Performance curves





Construction

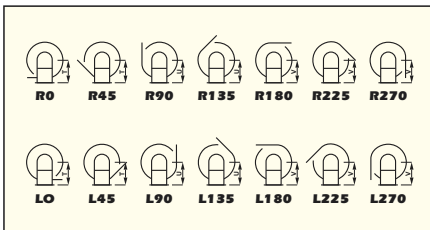
Radial bladed impeller of steel sheet riveted and welded construction, dynamically balanced. Casing of heavy sheet steel welded construction, stiffened with angle section and having an integrated motor pedestal. Design for corrosive gases, higher running temperatures, belt drive, etc. can be supplied on request.

Motor

230/400V, 50Hz (400/690V, 50Hz) three-phase asynchronous motor, suitable for speed control with frequency control. Insulation class F, enclosure IP55. Special voltage or frequency, improved enclosure IP65, 2-speed motors and explosion proof motors can be supplied on request. Wiring diagram, see page 235.

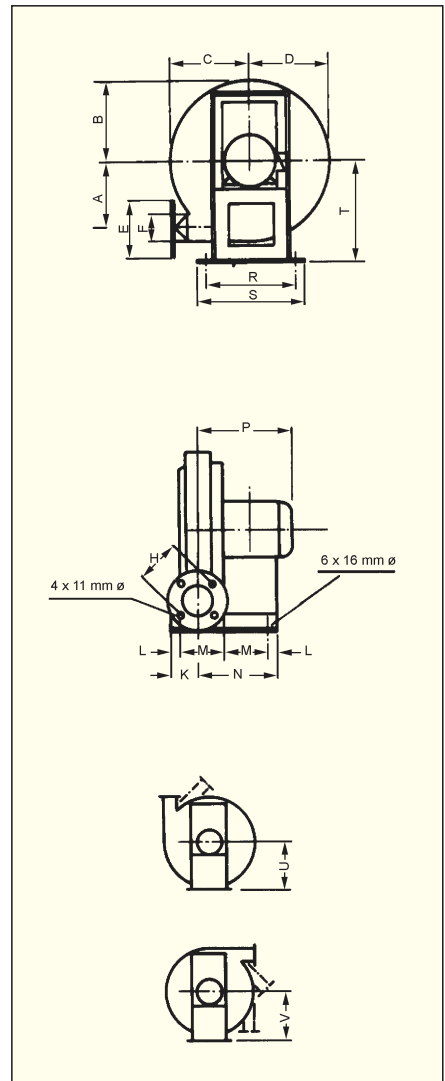
Accessories

Inlet flanges, inlet filter, silencer and inlet guards.

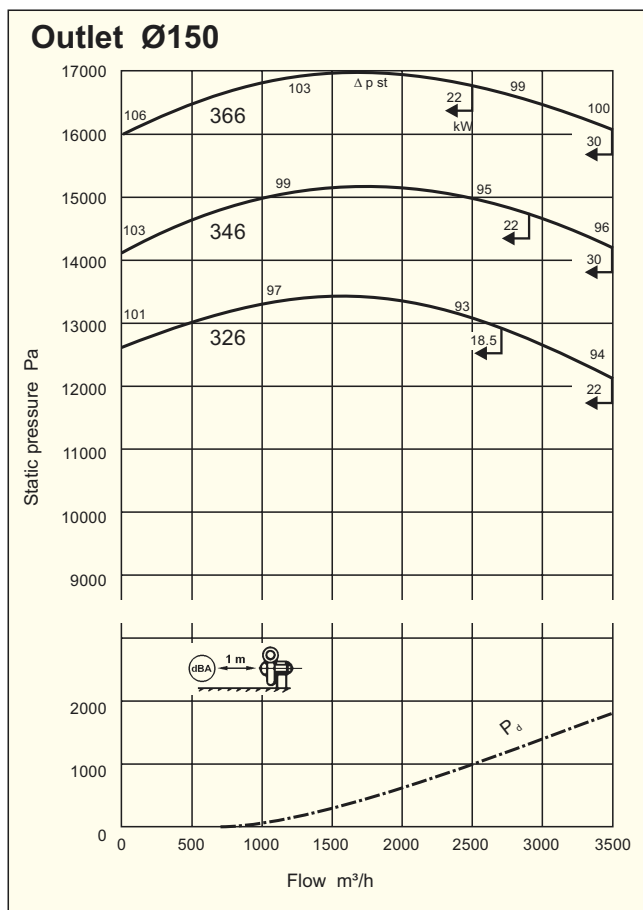
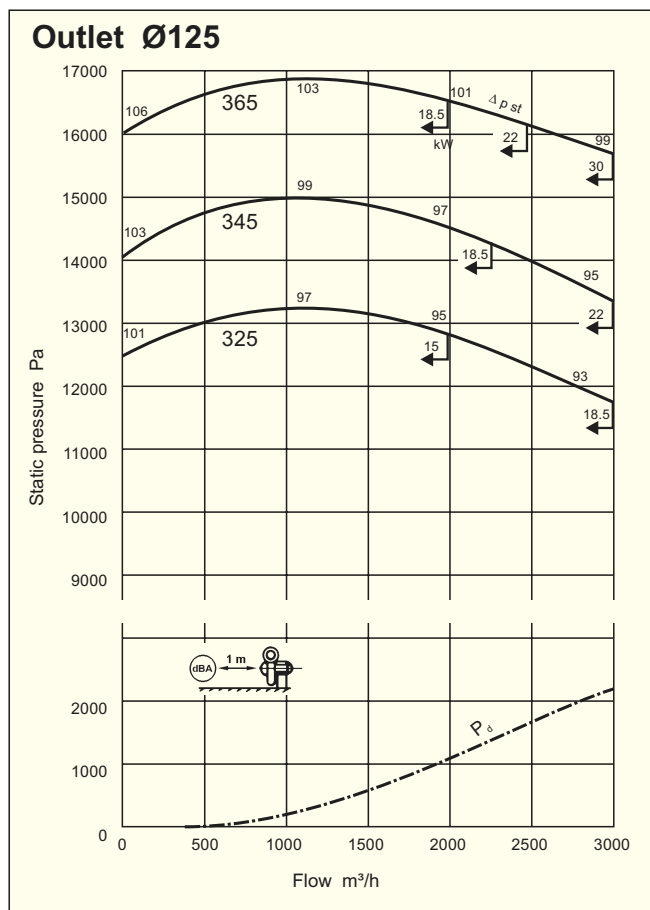
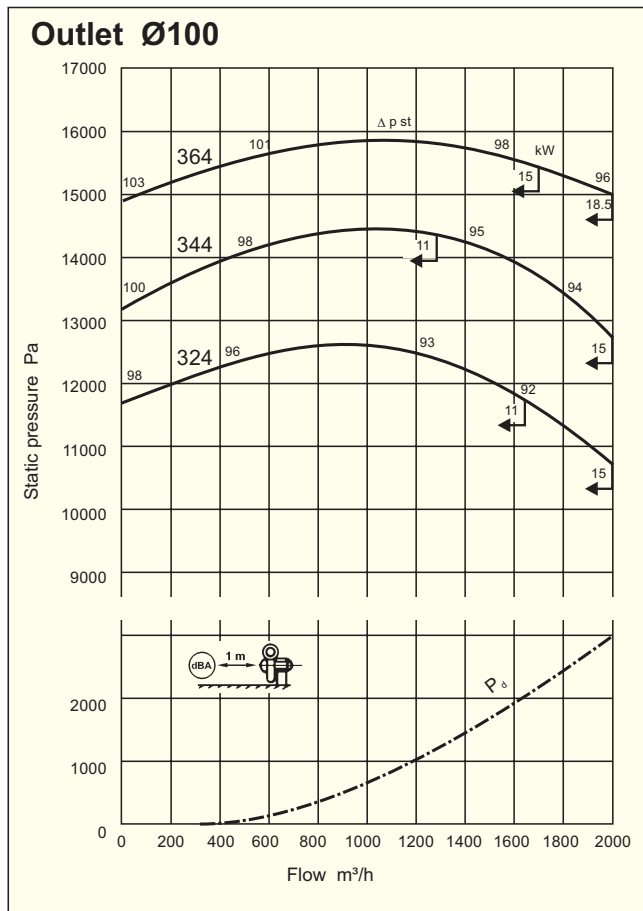
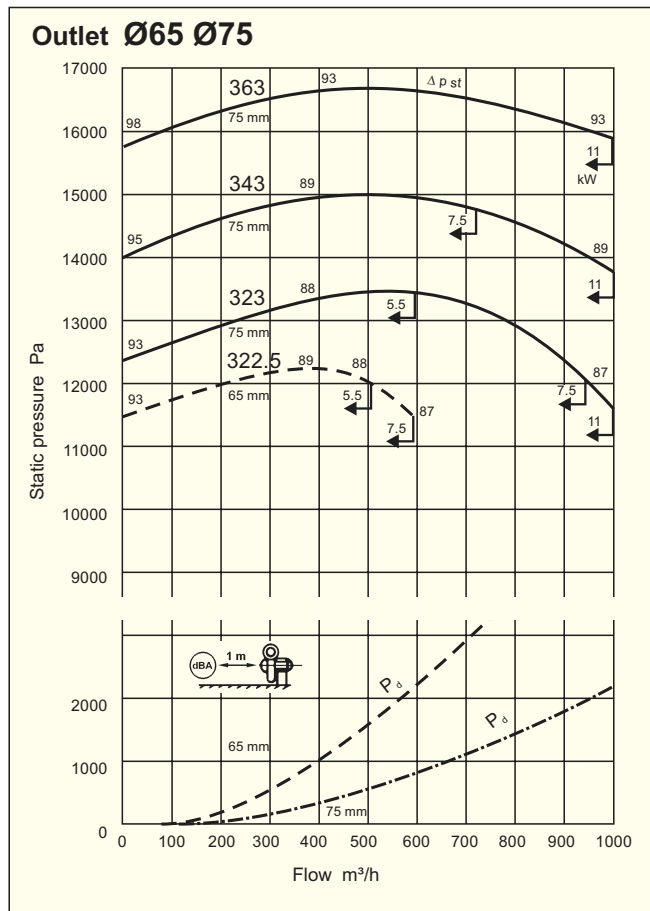


Dimensions in mm Outlet Ø65, Ø75, Ø100, Ø125, Ø150

| Type | A | B | C | D | E | F | H | K | L | Motor kW | M | N | P | R | S | T | U | V | Weight kg |
|-------|-----|-----|-----|-----|-----|-----|-----|-----|----|----------|-----|-----|-----|-----|-----|-----|-----|-----|-----------|
| 322,5 | 464 | 467 | 454 | 479 | 140 | 65 | 108 | 86 | 32 | 5.5 | 174 | 326 | 414 | 362 | 406 | 565 | 514 | 489 | 123 |
| | | | | | | | | | | 7.5 | 174 | 326 | 414 | 362 | 406 | 565 | 514 | 489 | 123 |
| 323 | 464 | 467 | 454 | 479 | 160 | 75 | 127 | 86 | 32 | 5.5 | 174 | 326 | 414 | 362 | 406 | 565 | 514 | 489 | 123 |
| | | | | | | | | | | 7.5 | 174 | 326 | 414 | 362 | 406 | 565 | 514 | 489 | 123 |
| | | | | | | | | | | 11 | 226 | 430 | 530 | 425 | 470 | 565 | 514 | 489 | 123 |
| 343 | 489 | 492 | 479 | 505 | 160 | 75 | 127 | 86 | 32 | 7.5 | 174 | 326 | 414 | 362 | 406 | 590 | 539 | 514 | 134 |
| | | | | | | | | | | 11 | 226 | 430 | 530 | 425 | 470 | 590 | 539 | 514 | 176 |
| 363 | 515 | 518 | 505 | 530 | 160 | 75 | 127 | 86 | 32 | 11 | 226 | 430 | 530 | 425 | 470 | 616 | 565 | 540 | 189 |
| 324 | 479 | 483 | 462 | 505 | 197 | 100 | 152 | 100 | 32 | 11 | 240 | 444 | 545 | 425 | 470 | 600 | 540 | 515 | 181 |
| | | | | | | | | | | 15 | 240 | 444 | 545 | 425 | 470 | 600 | 540 | 515 | 181 |
| 344 | 504 | 508 | 487 | 530 | 197 | 100 | 152 | 100 | 32 | 11 | 240 | 444 | 545 | 425 | 470 | 626 | 566 | 540 | 193 |
| | | | | | | | | | | 15 | 240 | 444 | 545 | 425 | 470 | 626 | 566 | 540 | 193 |
| 364 | 530 | 534 | 513 | 556 | 197 | 100 | 152 | 100 | 32 | 15 | 240 | 444 | 545 | 425 | 470 | 650 | 590 | 565 | 206 |
| | | | | | | | | | | 18.5 | 258 | 480 | 545 | 425 | 470 | 650 | 590 | 565 | 225 |
| 325 | 489 | 492 | 467 | 518 | 232 | 125 | 191 | 111 | 32 | 15 | 251 | 465 | 555 | 425 | 470 | 629 | 540 | 515 | 200 |
| | | | | | | | | | | 18.5 | 269 | 491 | 555 | 425 | 470 | 629 | 540 | 515 | 219 |
| 345 | 514 | 518 | 492 | 543 | 232 | 125 | 191 | 111 | 32 | 18.5 | 269 | 491 | 555 | 425 | 470 | 655 | 565 | 540 | 232 |
| | | | | | | | | | | 22 | 269 | 491 | 622 | 489 | 534 | 655 | 565 | 540 | 259 |
| | | | | | | | | | | 18.5 | 269 | 491 | 555 | 425 | 470 | 680 | 590 | 565 | 246 |
| 365 | 540 | 543 | 519 | 568 | 232 | 125 | 191 | 111 | 32 | 22 | 269 | 491 | 622 | 489 | 534 | 680 | 590 | 565 | 273 |
| | | | | | | | | | | 30 | 306 | 565 | 700 | 489 | 534 | 680 | 590 | 565 | 335 |
| | | | | | | | | | | 18.5 | 269 | 491 | 555 | 425 | 470 | 629 | 540 | 515 | 219 |
| 326 | 489 | 492 | 467 | 518 | 255 | 150 | 216 | 111 | 32 | 22 | 269 | 491 | 622 | 489 | 534 | 629 | 540 | 515 | 246 |
| | | | | | | | | | | 18.5 | 269 | 491 | 555 | 425 | 470 | 655 | 565 | 540 | 232 |
| 346 | 514 | 518 | 492 | 543 | 255 | 150 | 216 | 111 | 32 | 22 | 269 | 491 | 622 | 489 | 534 | 655 | 565 | 540 | 259 |
| | | | | | | | | | | 30 | 306 | 565 | 700 | 489 | 534 | 655 | 565 | 540 | 321 |
| | | | | | | | | | | 18.5 | 269 | 491 | 555 | 425 | 470 | 680 | 590 | 565 | 273 |
| 366 | 540 | 543 | 519 | 568 | 255 | 150 | 216 | 111 | 32 | 22 | 269 | 491 | 622 | 489 | 534 | 680 | 590 | 565 | 273 |
| | | | | | | | | | | 30 | 306 | 565 | 700 | 489 | 534 | 680 | 590 | 565 | 335 |



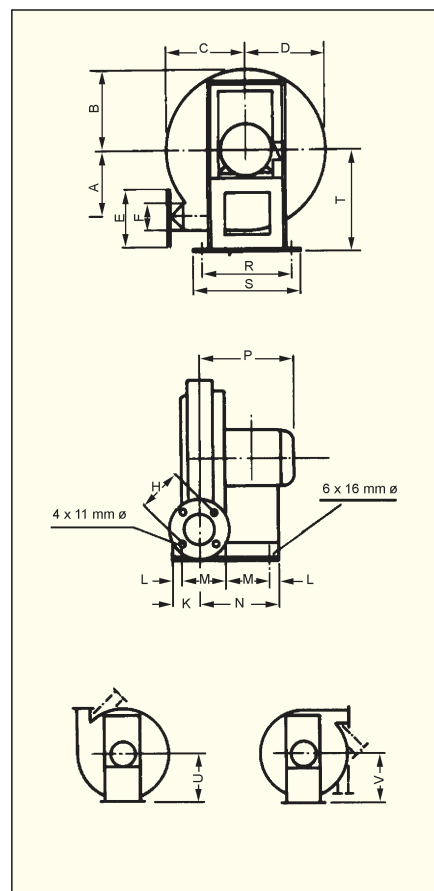
Performance curves



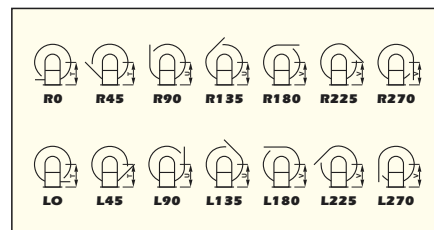
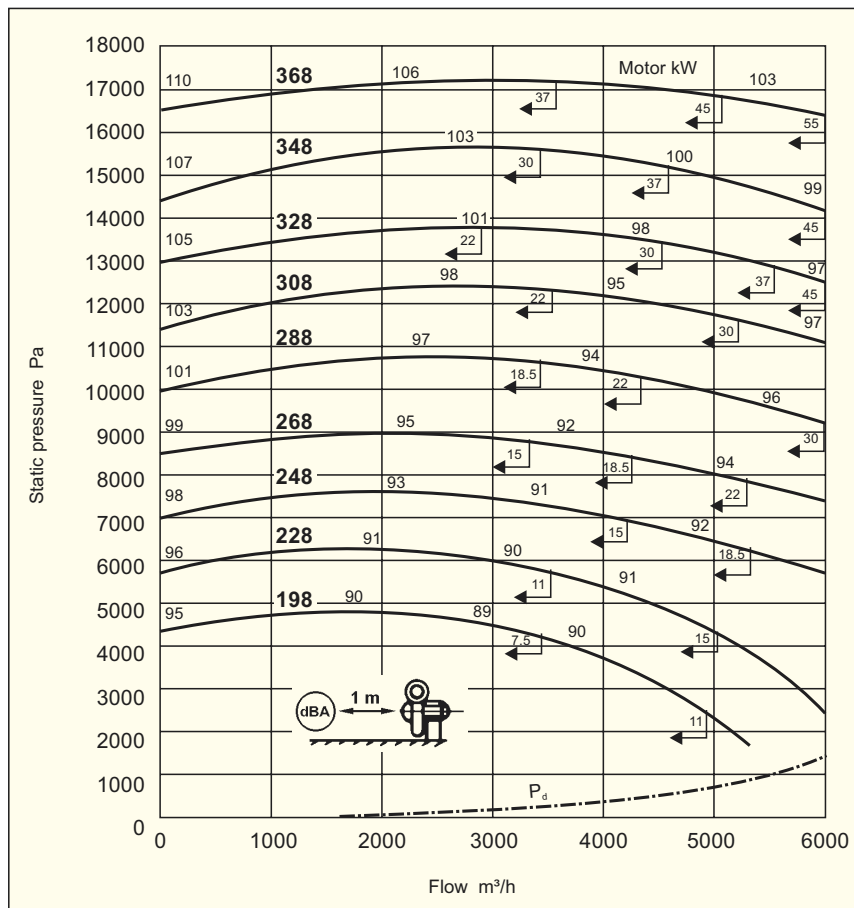
Dimensions in mm

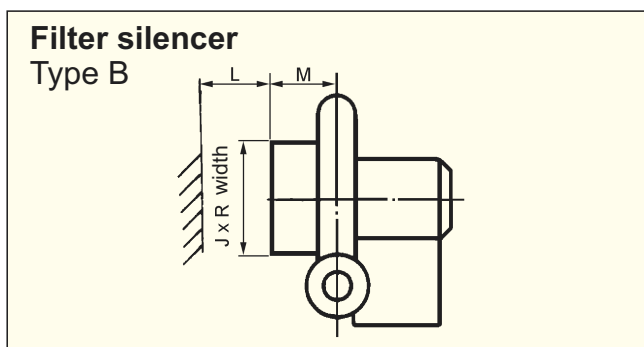
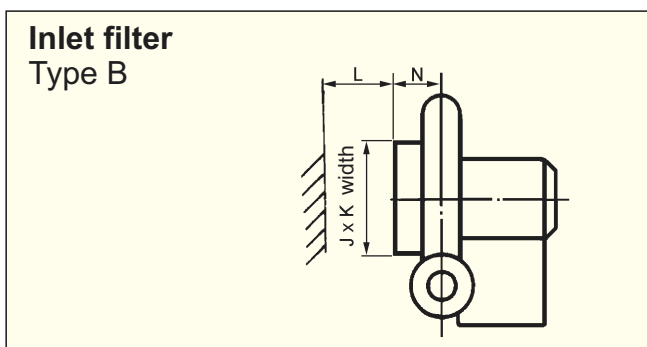
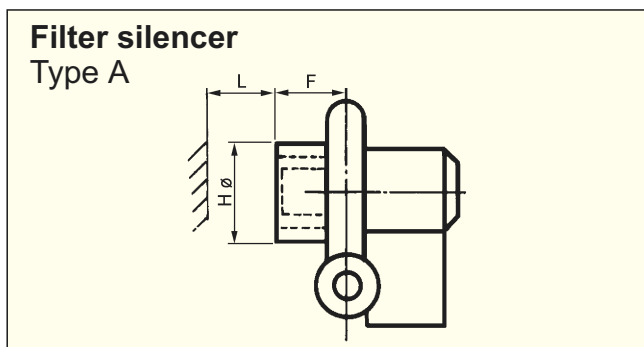
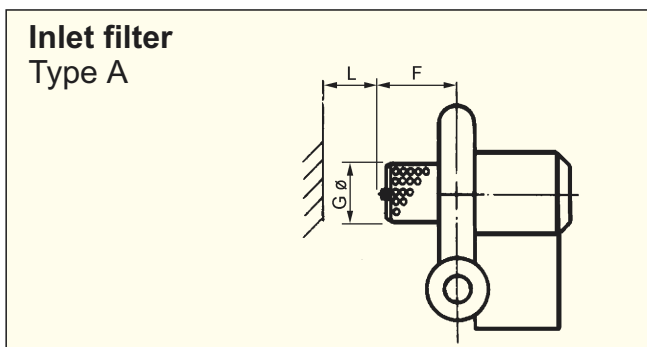
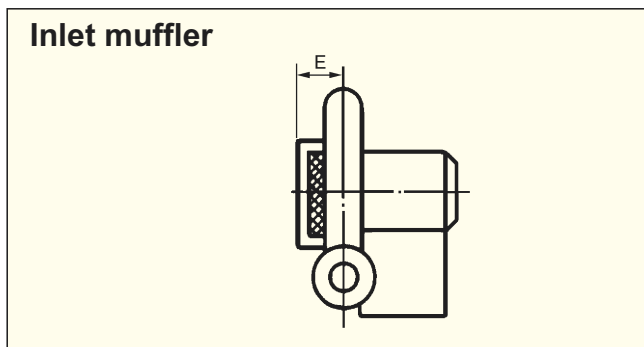
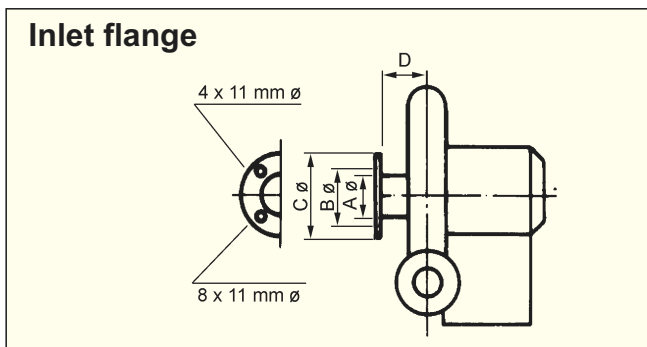
Outlet Ø200

| Typ | A | B | C | D | E | F | H | K | L | Motor kW | M | N | P | R | S | T | U | V | Weight kg |
|-----|-----|-----|-----|-----|-----|-----|-----|-----|----|----------|-----|-----|------|-----|-----|-----|-----|-----|-----------|
| 198 | 350 | 354 | 320 | 386 | 318 | 200 | 273 | 130 | 32 | 7.5 | 219 | 372 | 460 | 362 | 406 | 535 | 426 | 395 | 120 |
| | | | | | | | | | | 11 | 270 | 473 | 591 | 425 | 470 | 535 | 426 | 395 | 162 |
| 228 | 387 | 391 | 359 | 425 | 318 | 200 | 273 | 130 | 32 | 11&15 | 270 | 473 | 591 | 425 | 470 | 571 | 464 | 422 | 173 |
| 248 | 413 | 416 | 384 | 451 | 318 | 200 | 273 | 130 | 32 | 11&15 | 270 | 473 | 591 | 425 | 470 | 597 | 489 | 448 | 180 |
| | | | | | | | | | | 18,5 | 289 | 511 | 635 | 425 | 470 | 597 | 489 | 448 | 199 |
| 268 | 438 | 441 | 410 | 476 | 318 | 200 | 273 | 130 | 32 | 15 | 270 | 473 | 591 | 425 | 470 | 622 | 508 | 470 | 192 |
| | | | | | | | | | | 18,5 | 289 | 511 | 635 | 425 | 470 | 622 | 508 | 470 | 211 |
| 288 | 468 | 467 | 435 | 502 | 318 | 200 | 273 | 130 | 32 | 18,5 | 289 | 511 | 635 | 425 | 470 | 648 | 533 | 495 | 223 |
| | | | | | | | | | | 22 | 289 | 511 | 660 | 489 | 533 | 648 | 533 | 495 | 250 |
| 308 | 489 | 492 | 460 | 527 | 318 | 200 | 273 | 130 | 32 | 18,5 | 289 | 511 | 635 | 425 | 470 | 673 | 552 | 521 | 236 |
| | | | | | | | | | | 22 | 289 | 511 | 660 | 489 | 533 | 673 | 552 | 521 | 263 |
| 328 | 515 | 518 | 485 | 551 | 318 | 200 | 273 | 130 | 32 | 30&37 | 327 | 587 | 737 | 489 | 533 | 700 | 591 | 560 | 278 |
| | | | | | | | | | | 45 | 340 | 614 | 1010 | 540 | 585 | 700 | 591 | 560 | 462 |
| 348 | 541 | 543 | 510 | 576 | 318 | 200 | 273 | 130 | 32 | 30&37 | 327 | 587 | 737 | 489 | 533 | 726 | 618 | 584 | 355 |
| | | | | | | | | | | 45 | 340 | 614 | 1010 | 540 | 585 | 726 | 618 | 584 | 477 |
| 368 | 566 | 569 | 535 | 602 | 318 | 200 | 273 | 130 | 32 | 37 | 327 | 587 | 737 | 489 | 533 | 751 | 642 | 609 | 371 |
| | | | | | | | | | | 45 | 340 | 614 | 1010 | 540 | 585 | 751 | 642 | 609 | 493 |
| | | | | | | | | | | 55 | 369 | 672 | 1010 | 590 | 634 | 751 | 642 | 609 | 615 |



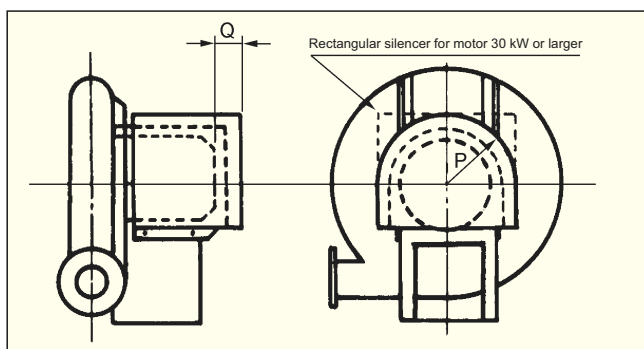
Performance curves



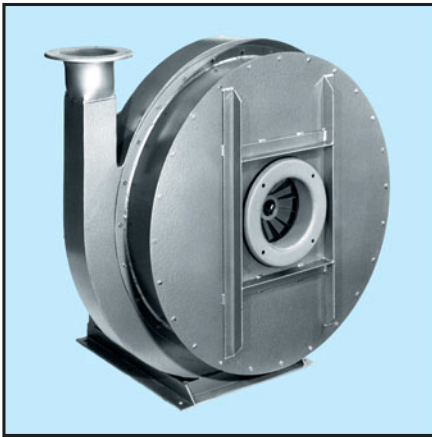


Motor muffler

| Motor kW | Q | P |
|----------------|-----|-----|
| 1.5 + 2.2 + 3 | 80 | 180 |
| 4 | 100 | 180 |
| 5.5 + 7.5 | 100 | 230 |
| 11 + 15 + 18.5 | 100 | 260 |
| 22 | 100 | 280 |
| 30 + 37 | 100 | 320 |
| 45 | 100 | 345 |
| 55 | 100 | 380 |



| Dimensions in mm | | | A | B | C | D | E | F | G | H | J | K | L | M | N | R | |
|------------------|---------------|-------------|-------------|-----|-----|-----|-----|-----|-----|-----|-----|-----|-----|-----|-----|-----|------|
| QP Type | 405-665 | 406,5-766,5 | 407,5-767,5 | 118 | 165 | 203 | 86 | 108 | 265 | 185 | 346 | - | - | 150 | - | - | |
| | 4010-7610 | | | 154 | 216 | 254 | 103 | 162 | - | - | - | 448 | 448 | 150 | 272 | 175 | 604 |
| | 4012,5-7612,5 | 4015-7615 | | 200 | 273 | 318 | 114 | 175 | - | - | - | 510 | 510 | 150 | 340 | 213 | 720 |
| Q Type | | 322,5 | 323-363 | 118 | 165 | 203 | 86 | 220 | 265 | 346 | 346 | - | - | 150 | - | - | |
| | 324-364 | | | 154 | 216 | 254 | 103 | 254 | - | - | - | 448 | 448 | 150 | 272 | 175 | 604 |
| | 325-365 | 326-366 | | 200 | 273 | 318 | 114 | 280 | - | - | - | 510 | 510 | 150 | 340 | 213 | 720 |
| | 198-228 | | | 305 | 362 | 406 | 133 | 294 | - | - | - | 510 | 510 | 200 | 360 | 225 | 720 |
| | 248-368 | | | 305 | 362 | 406 | 133 | 294 | - | - | - | 510 | 510 | 200 | 350 | 225 | 1056 |



Construction

Single inlet centrifugal fan. Two radial bladed impellers riveted of steel sheet with a turned mild steel hub, fitted to the motor shaft. Twin casing in steel plate of welded construction adequately stiffened to prevent drumming and vibration. Access to the impeller is given by removing the bolted cover of the casing inlet side. Designed for transportation of normal air with max. temperature of +80°C. Designs for corrosive gases, higher running temperatures, etc. can be supplied on request.

Motor

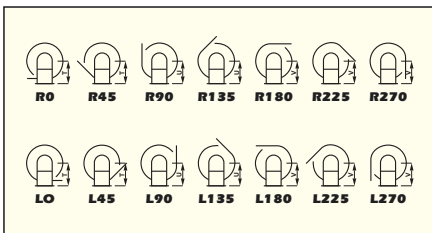
230/400V, 50Hz (400/690V, 50Hz) three-phase asynchronous motor, suitable for speed control with frequency control. Insulation class F, enclosure IP55. Special voltage or frequency, improved enclosure IP65, 2-speed motors and explosion proof motors can be supplied on request.

Wiring diagram, see page 235.

Working area: pressure up to 35000 Pa
flow up to 3400 m³/h.

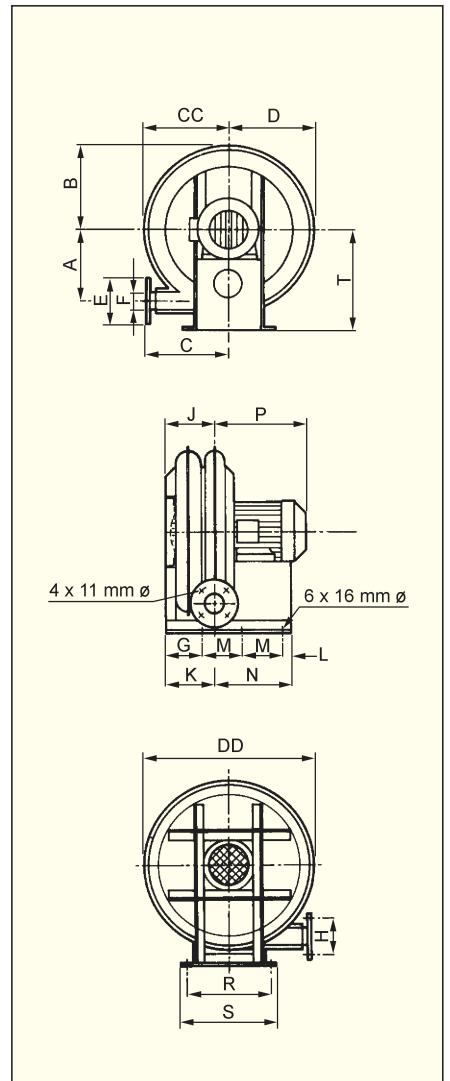
Accessories

Inlet flanges, inlet filter, silencer.

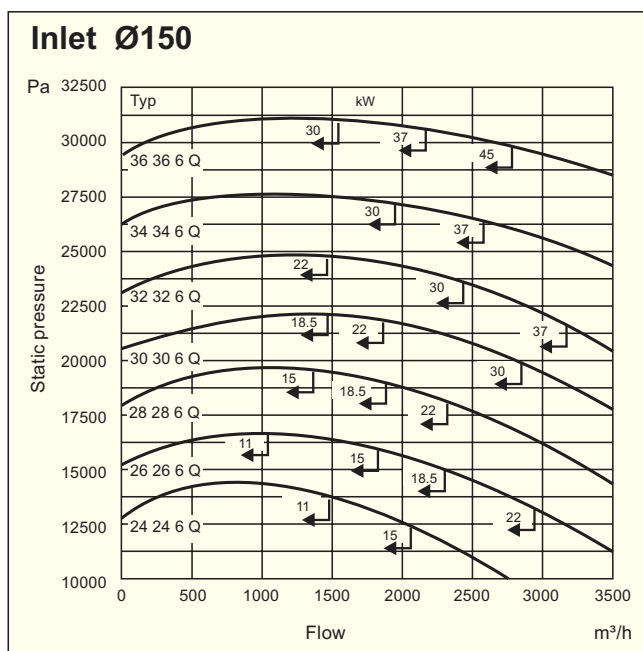
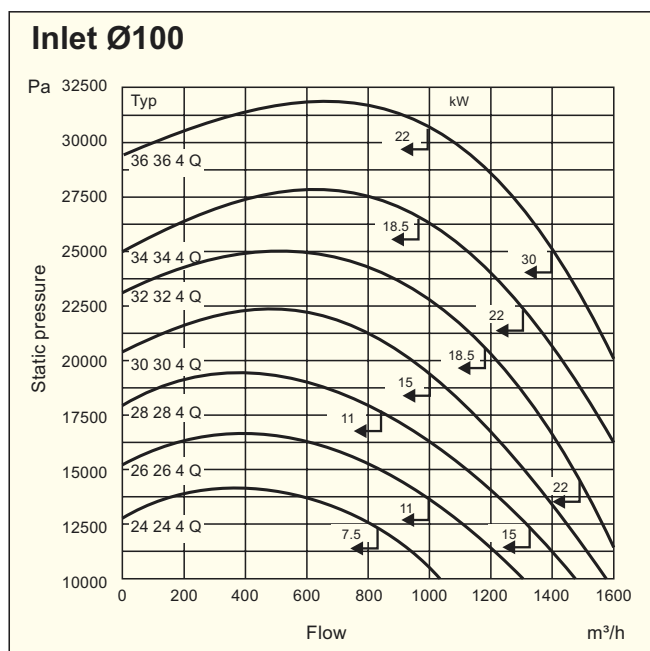


Dimensions in mm

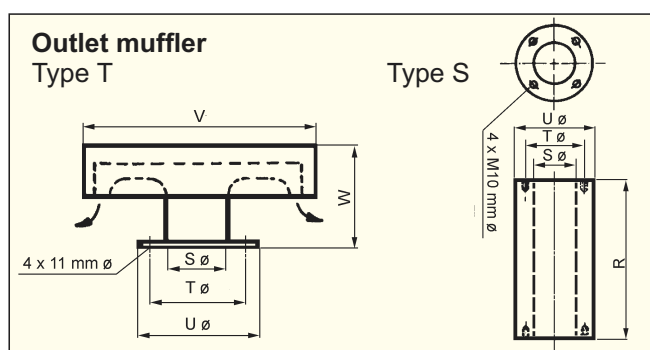
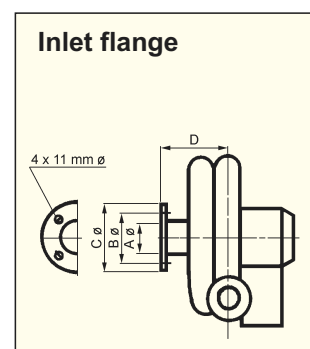
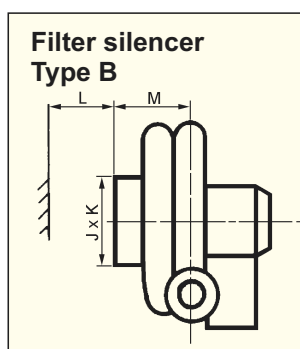
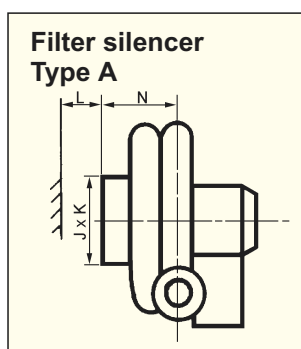
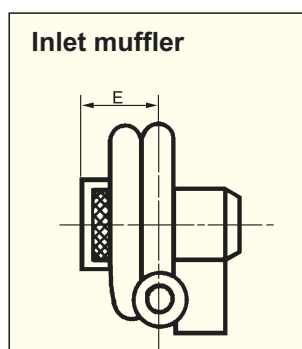
| Type | A | B | C | CC | D | DD | E | F | G | H | J | K | L | Motor kW | M | N | P | R | S | T | Weight kg |
|----------|-----|-----|-----|-----|-----|------|-----|-----|----|-----|-----|-----|----|----------|-----|-----|-----|-----|-----|-----|-----------|
| 24 24 4Q | 378 | 397 | 360 | 376 | 418 | 880 | 197 | 100 | 32 | 152 | 235 | 100 | 32 | 7.5 | 200 | 341 | 430 | 362 | 406 | 489 | 132 |
| | | | | | | | | | | | | | | 11.0 | 251 | 443 | 563 | 426 | 470 | 489 | 174 |
| 26 26 4Q | 403 | 422 | 386 | 401 | 443 | 880 | 197 | 100 | 32 | 152 | 235 | 100 | 32 | 7.5 | 200 | 341 | 430 | 362 | 406 | 527 | 149 |
| | | | | | | | | | | | | | | 11&15 | 251 | 443 | 563 | 426 | 470 | 527 | 191 |
| 28 28 4Q | 429 | 447 | 410 | 426 | 469 | 880 | 197 | 100 | 32 | 152 | 235 | 100 | 32 | 11&15 | 251 | 443 | 563 | 426 | 470 | 552 | 207 |
| | | | | | | | | | | | | | | 18.5 | 271 | 483 | 608 | 426 | 470 | 552 | 226 |
| 30 30 4Q | 454 | 472 | 436 | 451 | 494 | 880 | 197 | 100 | 32 | 152 | 235 | 100 | 32 | 15.0 | 251 | 443 | 563 | 426 | 470 | 578 | 227 |
| | | | | | | | | | | | | | | 18.5 | 271 | 483 | 608 | 426 | 470 | 578 | 246 |
| 24 24 6Q | 387 | 406 | 365 | 381 | 432 | 880 | 255 | 150 | 32 | 216 | 282 | 111 | 32 | 11&15 | 251 | 455 | 572 | 425 | 470 | 527 | 207 |
| | | | | | | | | | | | | | | 18.5 | 271 | 495 | 614 | 425 | 470 | 527 | 226 |
| 26 26 6Q | 413 | 432 | 390 | 406 | 457 | 880 | 255 | 150 | 32 | 216 | 282 | 111 | 32 | 15.0 | 251 | 455 | 572 | 425 | 470 | 552 | 217 |
| | | | | | | | | | | | | | | 18.5 | 271 | 495 | 614 | 425 | 470 | 552 | 236 |
| 28 28 6Q | 438 | 457 | 416 | 432 | 482 | 880 | 255 | 150 | 32 | 216 | 282 | 111 | 32 | 22.0 | 271 | 495 | 630 | 489 | 534 | 552 | 263 |
| | | | | | | | | | | | | | | 18.5 | 271 | 495 | 614 | 425 | 470 | 578 | 256 |
| 30 30 6Q | 464 | 483 | 441 | 457 | 508 | 880 | 255 | 150 | 32 | 216 | 282 | 111 | 32 | 22.0 | 271 | 495 | 630 | 489 | 534 | 603 | 281 |
| | | | | | | | | | | | | | | 30&37 | 307 | 567 | 710 | 489 | 534 | 603 | 370 |
| 32 32 4Q | 480 | 482 | 461 | 461 | 504 | 930 | 197 | 100 | 32 | 152 | 235 | 100 | 32 | 15.0 | 240 | 444 | 563 | 426 | 470 | 603 | 253 |
| | | | | | | | | | | | | | | 18.5 | 261 | 486 | 608 | 426 | 470 | 603 | 272 |
| 34 34 4Q | 505 | 508 | 487 | 487 | 529 | 980 | 197 | 100 | 32 | 152 | 235 | 100 | 32 | 22.0 | 261 | 486 | 630 | 489 | 534 | 603 | 299 |
| | | | | | | | | | | | | | | 15.0 | 240 | 444 | 563 | 426 | 470 | 629 | 287 |
| 36 36 4Q | 530 | 531 | 513 | 513 | 554 | 1031 | 197 | 100 | 32 | 152 | 235 | 100 | 32 | 18.5 | 261 | 486 | 608 | 426 | 470 | 629 | 306 |
| | | | | | | | | | | | | | | 22.0 | 261 | 486 | 630 | 489 | 534 | 629 | 333 |
| 32 32 6Q | 489 | 492 | 466 | 466 | 517 | 930 | 255 | 150 | 32 | 216 | 282 | 111 | 32 | 30&37 | 307 | 567 | 710 | 489 | 534 | 629 | 343 |
| | | | | | | | | | | | | | | 22.0 | 271 | 495 | 630 | 489 | 534 | 653 | 383 |
| 34 34 6Q | 514 | 517 | 491 | 491 | 542 | 980 | 255 | 150 | 32 | 216 | 282 | 111 | 32 | 30&37 | 307 | 567 | 710 | 489 | 534 | 653 | 445 |
| | | | | | | | | | | | | | | 45.0 | 323 | 599 | 760 | 540 | 585 | 653 | 553 |
| 36 36 6Q | 540 | 543 | 517 | 517 | 568 | 1031 | 255 | 150 | 32 | 216 | 282 | 111 | 32 | 30&37 | 307 | 567 | 710 | 489 | 534 | 679 | 501 |
| | | | | | | | | | | | | | | 45.0 | 323 | 599 | 760 | 540 | 585 | 679 | 609 |
| 36 36 6Q | 540 | 543 | 517 | 517 | 568 | 1031 | 255 | 150 | 32 | 216 | 282 | 111 | 32 | 55.0 | 353 | 659 | 800 | 590 | 635 | 679 | 770 |



Performance curves



Accessories



Motor muffler

| Motor kW | P | Q |
|-----------|-----|-----|
| 5.5 7.5 | 230 | 75 |
| 11 – 18.5 | 260 | 100 |
| 22 | 280 | 100 |
| 30 37 | 300 | 100 |
| 45 | 325 | 100 |

Dimensions in mm

| Type | A | B | C | D | E | J | K | L | M | N | R | S | T | U | V | W |
|--------------------|-----|-----|-----|-----|-----|-----|-----|-----|-----|-----|-----|-----|-----|-----|-----|-----|
| 61 61 10 – 36 36 4 | 216 | 273 | 318 | 340 | 351 | 510 | 510 | 150 | 455 | 360 | 500 | 100 | 152 | 200 | 610 | 195 |
| 61 61 15 – 36 36 6 | 216 | 273 | 318 | 340 | 406 | 510 | 510 | 150 | 565 | 440 | 750 | 150 | 216 | 260 | 610 | 295 |



Construction

Single inlet direct driven two stage centrifugal fan with casing in steel sheet, welded and powder coated. Impellers are made of aluminium sheet, dynamically balanced according to ISO 1940.

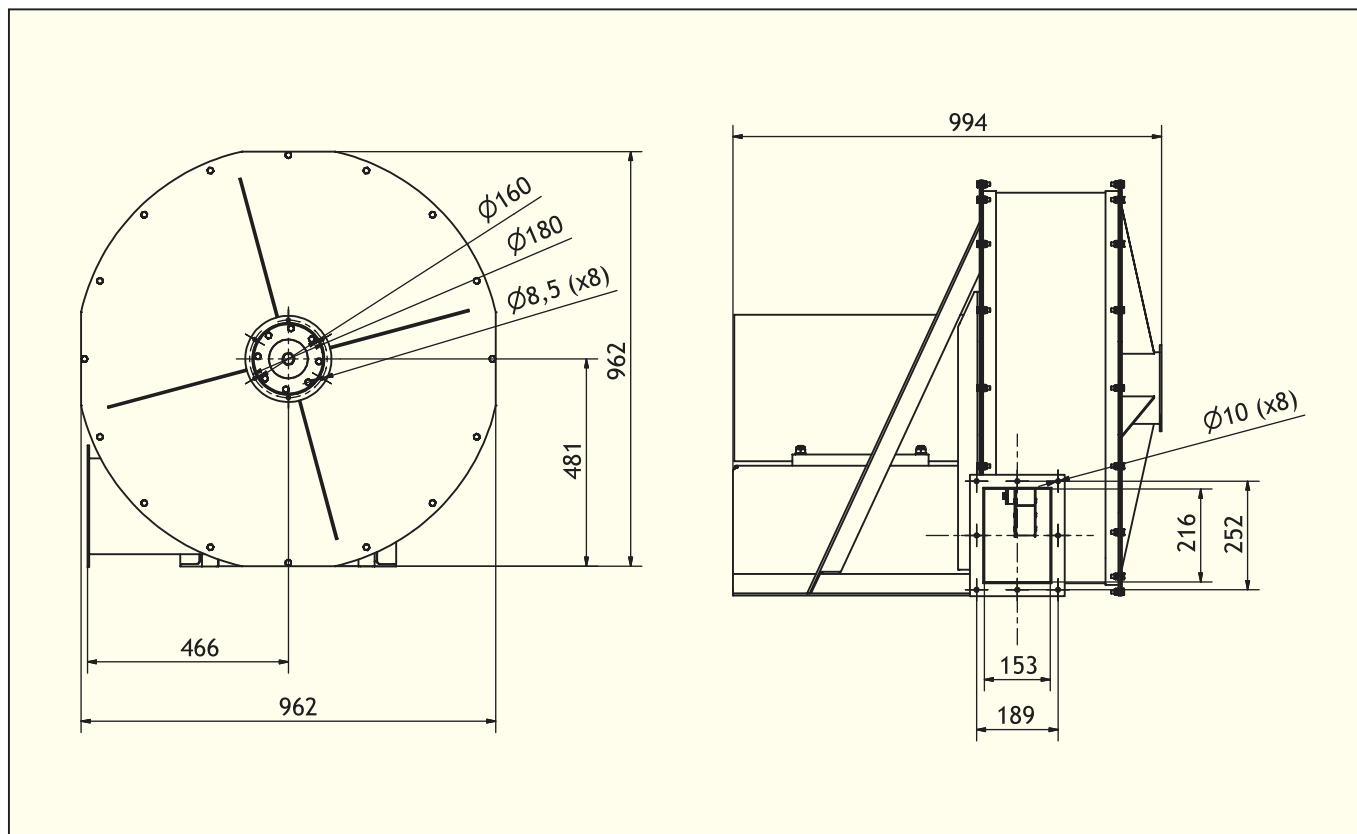
Motor

400/690V, 50Hz three-phase asynchronous motor with squirrel cage rotor. Enclosure IP55, insulation class F. Special voltage or frequency, improved enclosure IP65, explosion proof motor can be supplied on request.

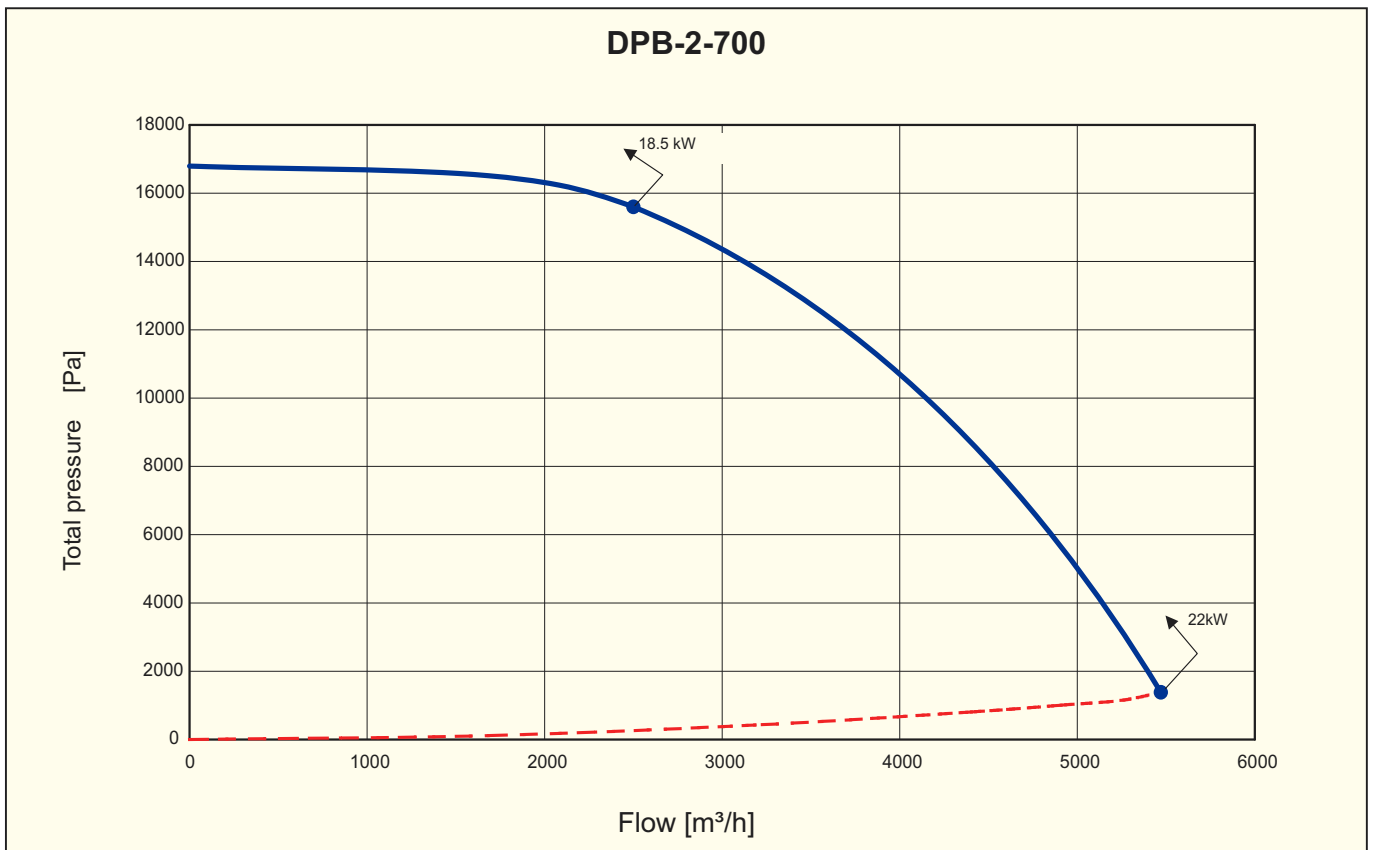
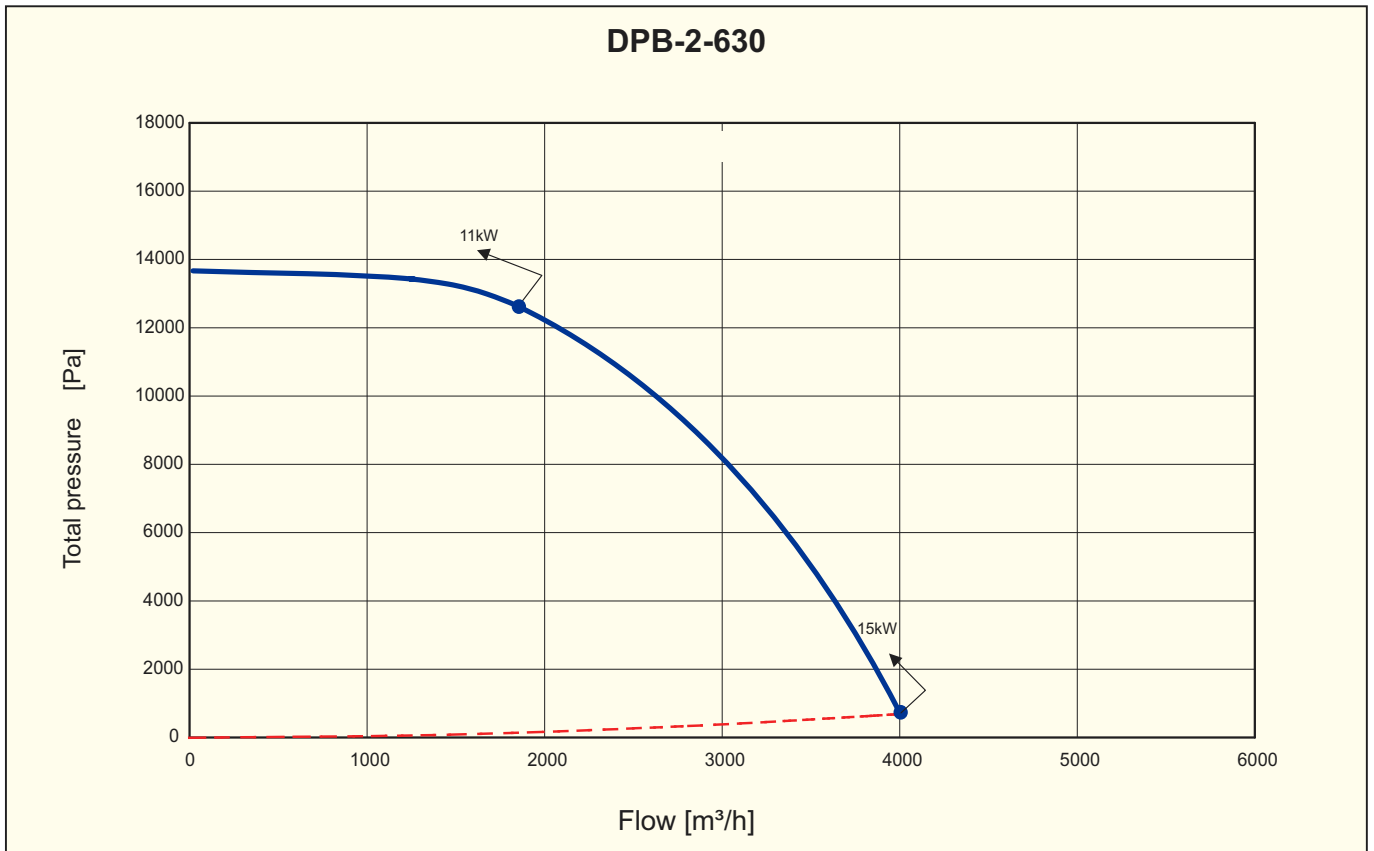
Wiring diagram, see page 235.

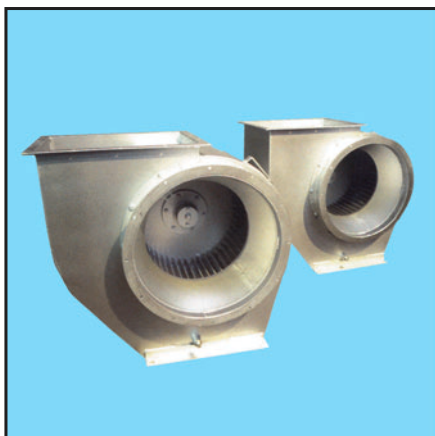
Data

| Type | Speed rpm | Motor power kW | Voltage V | Maximum current A | Maximum duty m ³ /h | Maximum pressure Pa | Weight kg | Article number |
|----------------|--------------|----------------------|--------------|-------------------------|--------------------------------------|---------------------------|--------------|-------------------|
| DPB-2-630-1100 | 2930 | 11 | 400 | 19.9 | 1800 | 13 600 | 345 | 213800630 |
| DPB-2-630-1500 | 2920 | 15 | 400 | 26.2 | 4000 | 13 600 | 360 | 213800640 |
| DPB-2-700-1850 | 2930 | 18.5 | 400 | 32,1 | 2050 | 16 750 | 375 | 213800700 |
| DPB-2-700-2200 | 2920 | 22 | 400 | 40.4 | 5450 | 16 750 | 410 | 213800710 |



Performance curves





FCM

Construction FCM

Single inlet direct driven centrifugal fan with casing in welded steel sheet. Impeller, type F, with forward curved blades in steel sheet, suitable for clean air. Very silent. Casing and impeller in other materials for example stainless steel or galvanized steel sheet may be supplied on request.

Working range:

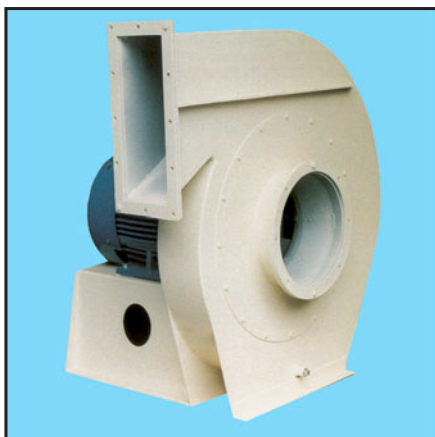
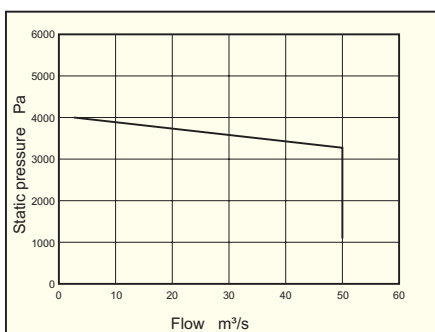
Flow 0 - 60 m³/s
Pressure 0 - 1 kPa

Motor

380/420V, 50Hz three-phase asynchronous motor IEC34-1. Enclosure IP55, class F insulation. Special voltage or frequency, or enclosure may be supplied on request. Wiring diagram, see page 235.

Accessories

Inlet and outlet fittings, silencer, sleeve.



RL

Construction RL

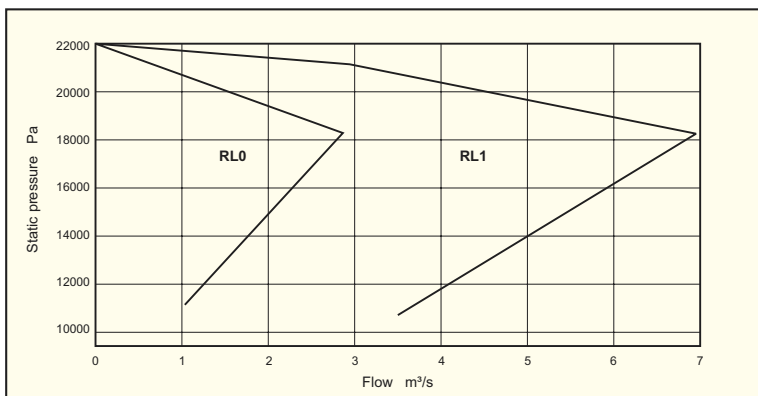
Single inlet direct driven centrifugal fan with casing in welded steel sheet. Impeller with straight radial blades in steel sheet, suitable for clean air at high pressure. Casing and impeller in other materials for example stainless steel or galvanized steel sheet may be supplied on request.

Motor

380/420V, 50Hz three-phase asynchronous motor IEC34-1. Enclosure IP55, class F insulation. Special voltage or frequency, or enclosure may be supplied on request. Wiring diagram, see page 235.

Accessories

Inlet and outlet fittings, silencer, sleeve.



| Type | Flow m ³ /s | Pressure kPa |
|------|------------------------|--------------|
| RL0 | 0,5-6 | 20 |
| RL1 | 0,1-18 | 20 |



PB

Construction

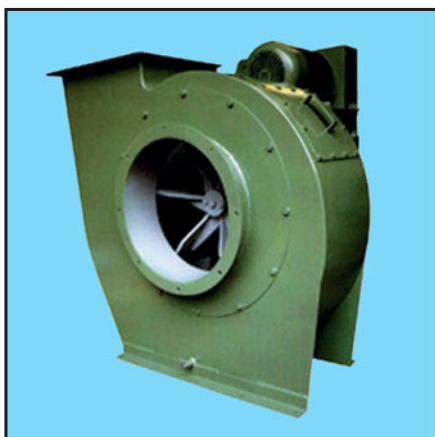
Single inlet, direct or belt driven centrifugal fan with casing in welded steel sheet. Impeller with straight self-cleaning radial blades in steel sheet, suitable for air with solid particles. Casing and impeller in other materials for example stainless steel or galvanized steel sheet may be supplied on request.

Motor

380/420V, 50Hz three-phase asynchronous motor IEC34-1. Enclosure IP55, class F insulation. Special voltage or frequency, or enclosure may be supplied on request. Wiring diagram, see page 235.

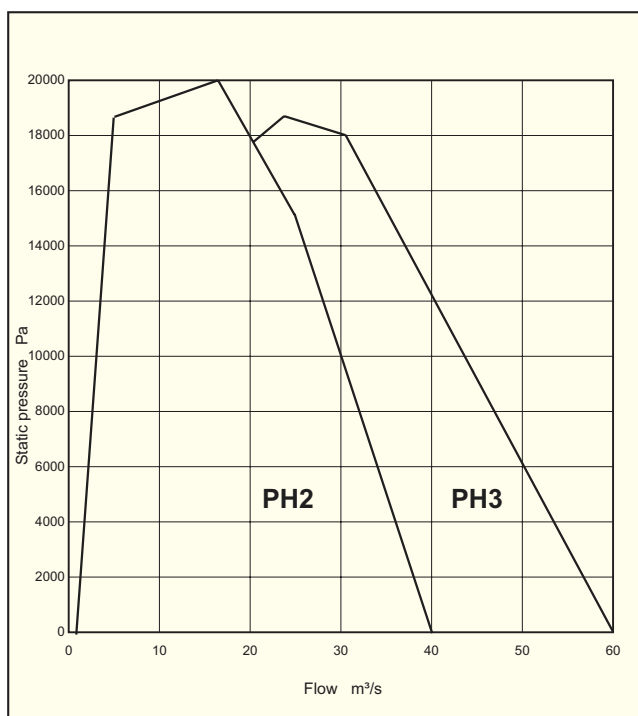
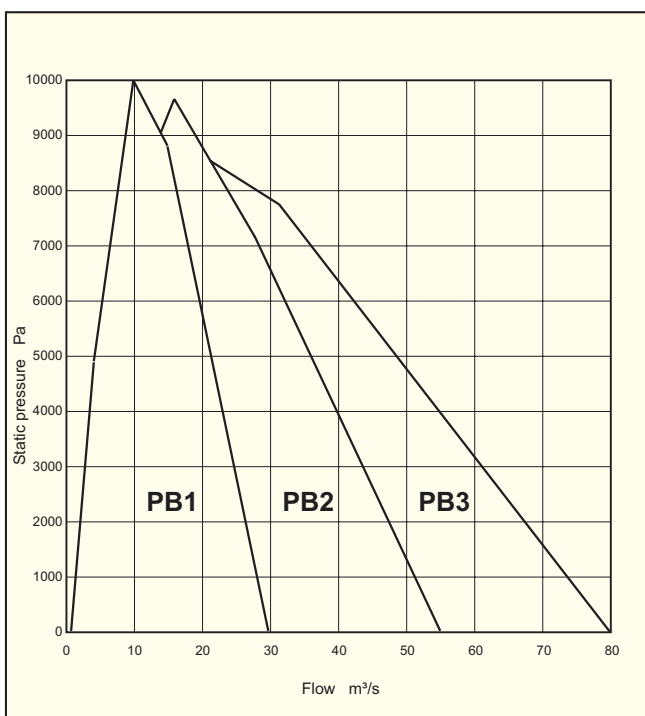
Accessories

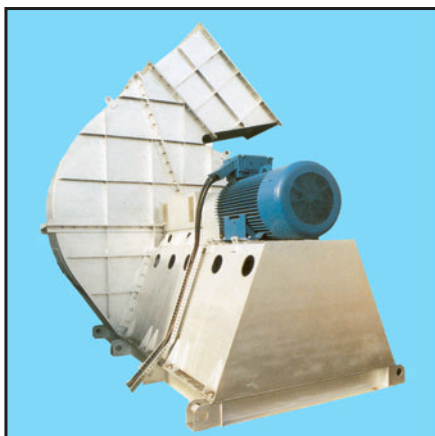
Inlet and outlet fittings, silencer, sleeve.



PH

| Type | Flow m ³ /s | Pressure kPa |
|------|------------------------|--------------|
| PB1 | 0,1-12 | 4 |
| PB2 | 0,2-24 | 3 |
| PB3 | 0,3-25 | 2 |
| PH1 | 0,2-25 | 20 |
| PH2 | 0,4-40 | 20 |





Construction

Single inlet, high-pressure direct-driven (type BL), or belt-driven (type BNF) centrifugal fan with casing in welded steel sheet. Impeller with backward curved blades in steel sheet, suitable for clean or lightly polluted air. Suitable in applications with high efficiency. Casing and impeller in other materials for example stainless steel or galvanized steel sheet may be supplied on request.

Motor

380/420V, 50Hz three-phase asynchronous motor IEC34-1. Enclosure IP55, class F insulation. Special voltage or frequency, or enclosure may be supplied on request.

Wiring diagram, see page 235.

BL

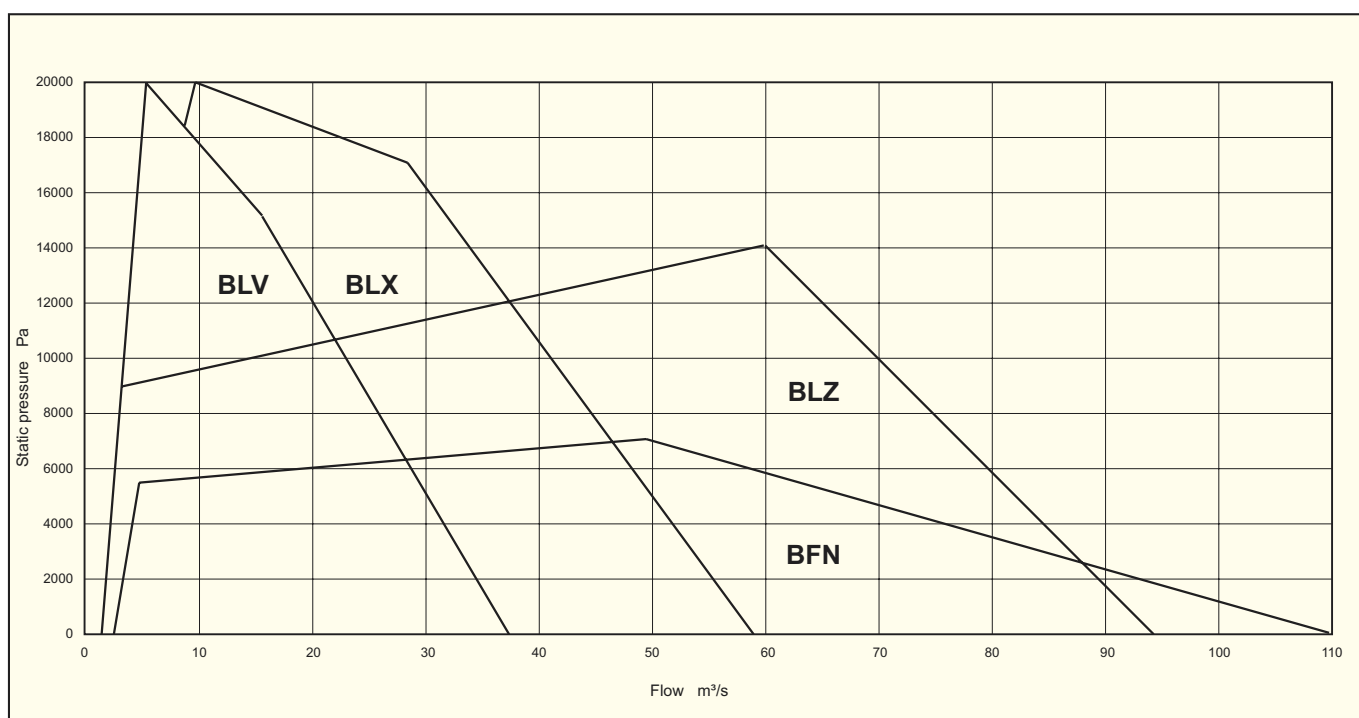
Accessories

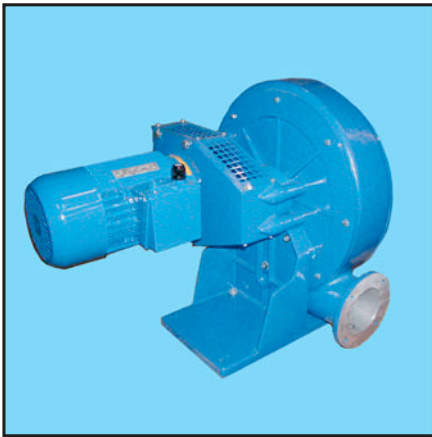
Inlet and outlet fittings, silencer, sleeve.



BFN

| Type | Flow m ³ /s | Pressure kPa |
|------|------------------------|--------------|
| BLT | 0,3-10 | 20 |
| BLV | 1-100 | 20 |
| BLX | 2-150 | 20 |
| BLZ | 3-200 | 20 |
| BLN | 1-300 | 6 |
| BLW | 1-400 | 3 |
| BFN | 1-300 | 6 |





Construction

Single inlet, belt driven centrifugal fan with casing in cast aluminium and impeller with backward curved blades in aluminium sheet. The suspension of the belt-drive and the unique design of the casing give optimal compactness. Casing and impeller in other materials for example stainless steel or galvanized steel sheet may be supplied on request.

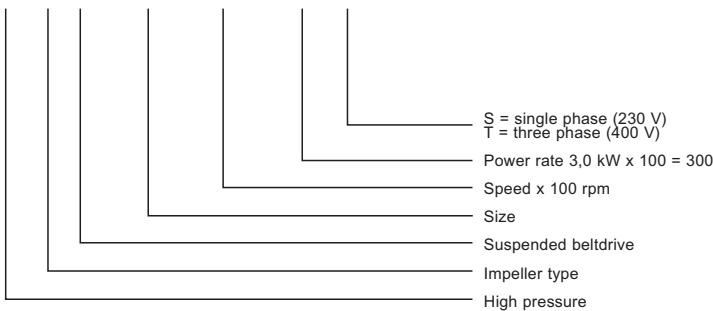
Motor

220-240/380-420V, 50Hz (380-420/660-720V above 3kW) three-phase or 220-240V, 50Hz single-phase asynchronous motor with capacitor. Insulation class F, enclosure IP55. Special voltage or frequency, improved enclosure IP65, 2-speed motors and explosion proof motors can be supplied on request.

Wiring diagram, see page 235.

Model numbering system

HP B x - 200 - 51 - 300 T

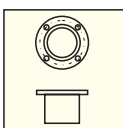


Data

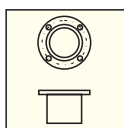
| Type | Speed rpm | Motor power kW | Voltage V | Maximum current A | Maximum duty m³/h | Maximum pressure Pa | Sound level* dB(A) | Weight kg | Article number |
|------------------|--------------|-------------------|--------------|----------------------|----------------------|------------------------|-----------------------|--------------|----------------|
| HPBx-25-40-075S | 4000 | 0,75 | 230 | 5,1 | 600 | 2150 | 81 | 20 | 113 655 050 |
| HPBx-25-40-075T | 4000 | 0,75 | 230/400 | 3,3/1,9 | 600 | 2150 | 81 | 20 | 113 655 055 |
| HPBx-25-44-075S | 4400 | 0,75 | 230 | 5,1 | 660 | 2600 | 82 | 20 | 113 655 060 |
| HPBx-25-44-075T | 4400 | 0,75 | 230/400 | 3,3/1,9 | 660 | 2600 | 82 | 20 | 113 655 065 |
| HPBx-25-50-110S | 5000 | 1,1 | 230 | 7,9 | 750 | 3300 | 83 | 22 | 113 655 070 |
| HPBx-25-50-110T | 5000 | 1,1 | 230/400 | 4,3/2,5 | 750 | 3300 | 83 | 22 | 113 655 075 |
| HPBx-30-40-075S | 4000 | 0,75 | 230 | 5,1 | 970 | 2400 | 82 | 21 | 113 655 100 |
| HPBx-30-40-075T | 4000 | 0,75 | 230/400 | 3,3/1,9 | 970 | 2400 | 82 | 20 | 113 655 105 |
| HPBx-30-44-110S | 4400 | 1,10 | 230 | 7,90 | 1070 | 2950 | 83 | 23 | 113 655 110 |
| HPBx-30-44-110T | 4400 | 1,10 | 230/400 | 4,3/2,5 | 1070 | 2950 | 83 | 22 | 113 655 115 |
| HPBx-30-50-150S | 5000 | 1,50 | 230 | 9,0 | 1230 | 3850 | 85 | 26 | 113 655 120 |
| HPBx-30-50-150T | 5000 | 1,50 | 230/400 | 5,9/3,4 | 1230 | 3850 | 85 | 25 | 113 655 125 |
| HPBx-30-56-220T | 5600 | 2,20 | 230/400 | 8,0/4,6 | 1400 | 4780 | 88 | 30 | 113 655 140 |
| HPBx-200-38-150S | 3800 | 1,50 | 230 | 9,0 | 1250 | 4450 | 84 | 33 | 113 655 200 |
| HPBx-200-38-150T | 3800 | 1,50 | 230/400 | 5,9/3,4 | 1250 | 4450 | 84 | 32 | 113 655 205 |
| HPBx-200-43-220T | 4300 | 2,20 | 230/400 | 8,0/4,6 | 1400 | 5560 | 87 | 37 | 113 655 210 |
| HPBx-200-45-300T | 4500 | 3,00 | 230/400 | 11,5/6,6 | 1490 | 6150 | 89 | 39 | 113 655 215 |
| HPBx-200-48-300T | 4800 | 3,00 | 230/400 | 11,5/6,6 | 1400 | 7000 | 91 | 40 | 113 655 220 |
| HPBx-200-51-300T | 5100 | 3,00 | 230/400 | 11,5/6,6 | 1100 | 7720 | 93 | 41 | 113 655 225 |
| HPBx-260-38-220T | 3800 | 2,20 | 230/400 | 8,0/4,6 | 1400 | 4100 | 86 | 39 | 113 655 250 |
| HPBx-260-43-300T | 4300 | 3,00 | 230/400 | 11,5/6,6 | 1580 | 5150 | 88 | 41 | 113 655 255 |
| HPBx-260-45-300T | 4500 | 3,00 | 230/400 | 11,5/6,6 | 1500 | 5720 | 90 | 41 | 113 655 260 |
| HPBx-260-48-300T | 4800 | 3,30 | 230/400 | 11,5/6,6 | 1300 | 6440 | 92 | 41 | 113 655 265 |
| HPBx-300-31-220T | 3100 | 2,20 | 230/400 | 8,0/4,6 | 2360 | 3750 | 90 | 44 | 113 655 320 |
| HPBx-300-35-300T | 3500 | 3,00 | 230/400 | 11,5/6,6 | 2650 | 4740 | 92 | 46 | 113 655 330 |

* - in the middle of the performance curve, 1m from the fan.

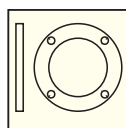
Accessories



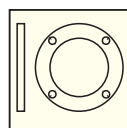
Connector suction side
page 189



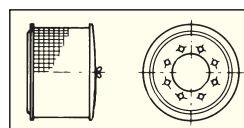
Connector pressure side
page 189



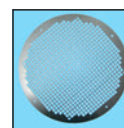
Welding flange suction side
page 190



Welding flange pressure side
page 190

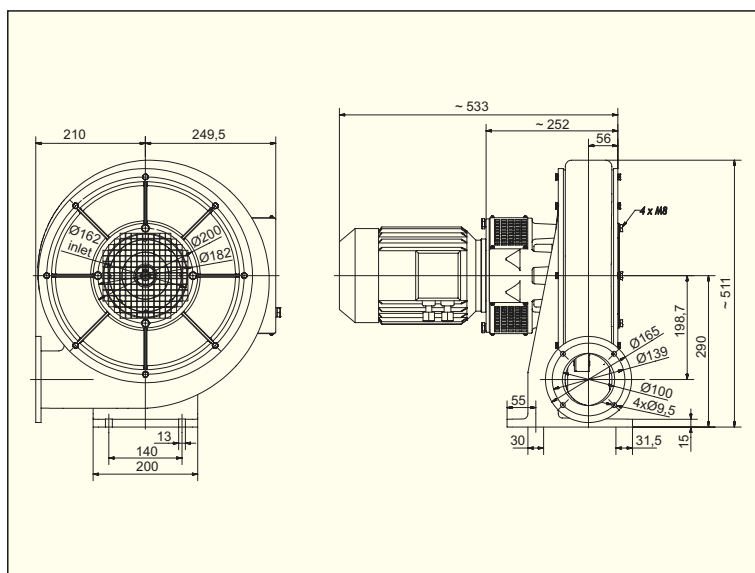
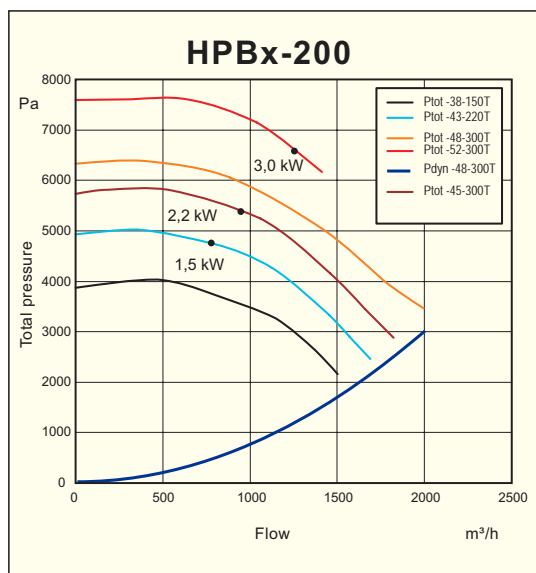
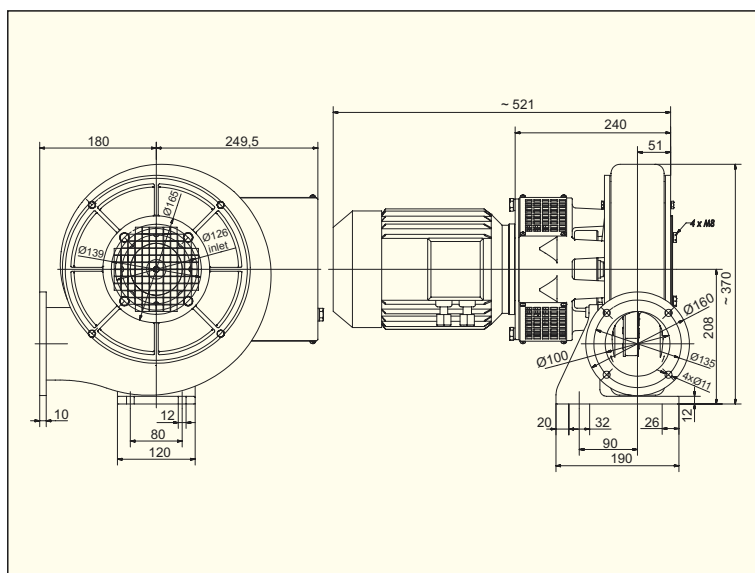
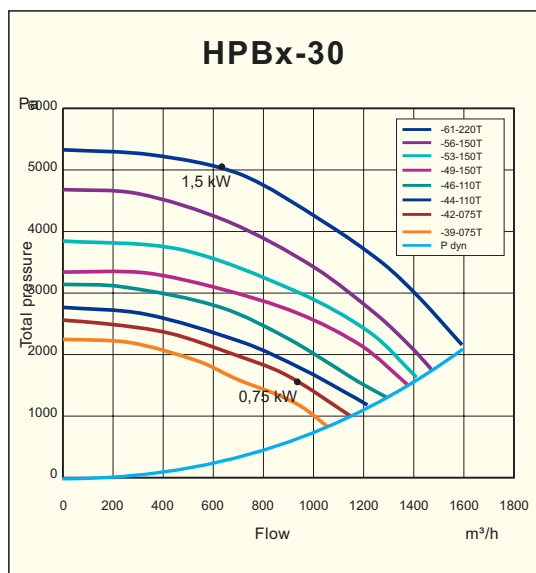
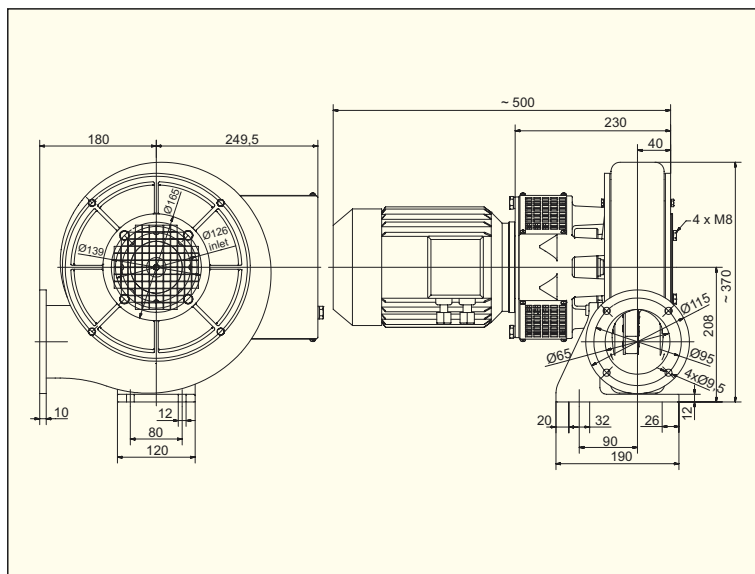
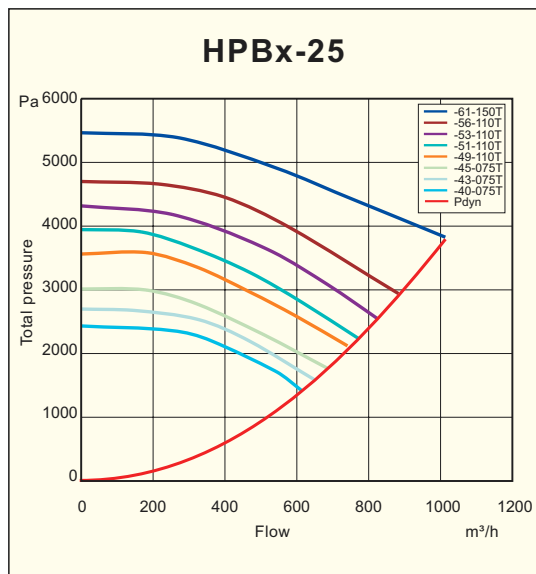


Filter suction side
page 190

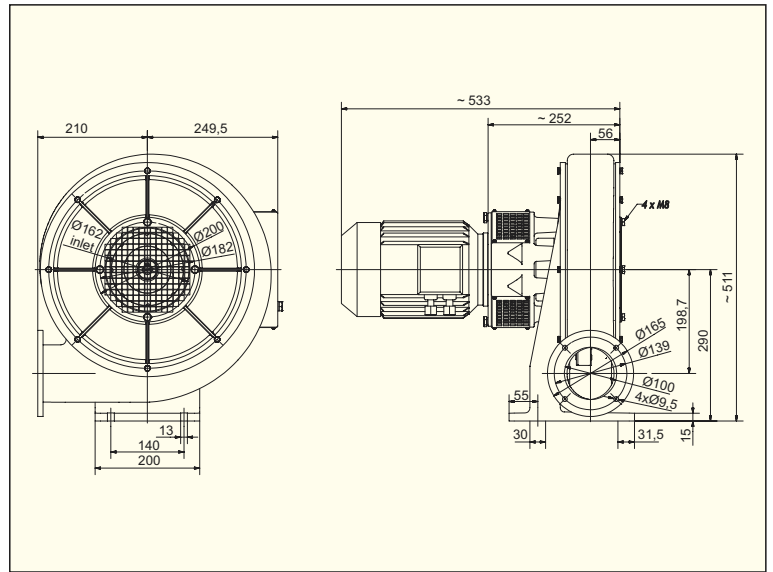
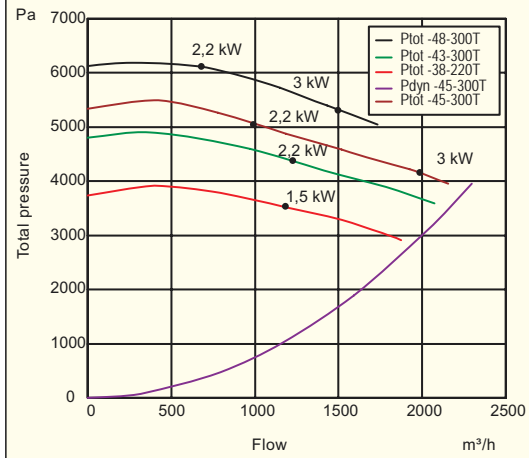


Protection outlet

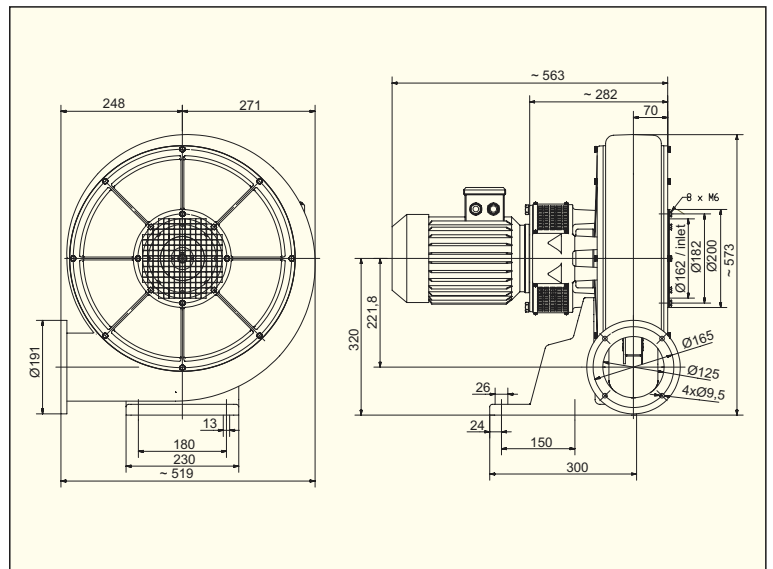
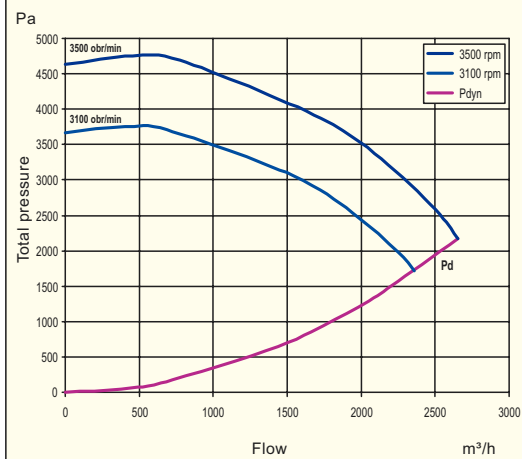
Performance curves

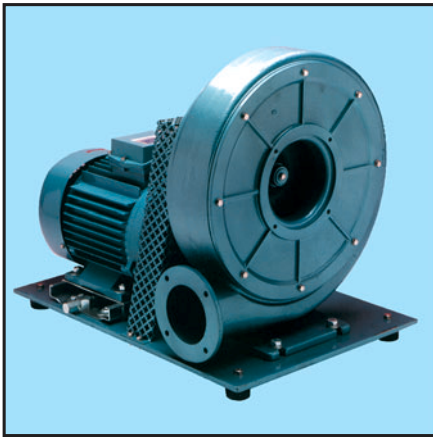


HPBx-260



HPBx-300





Construction

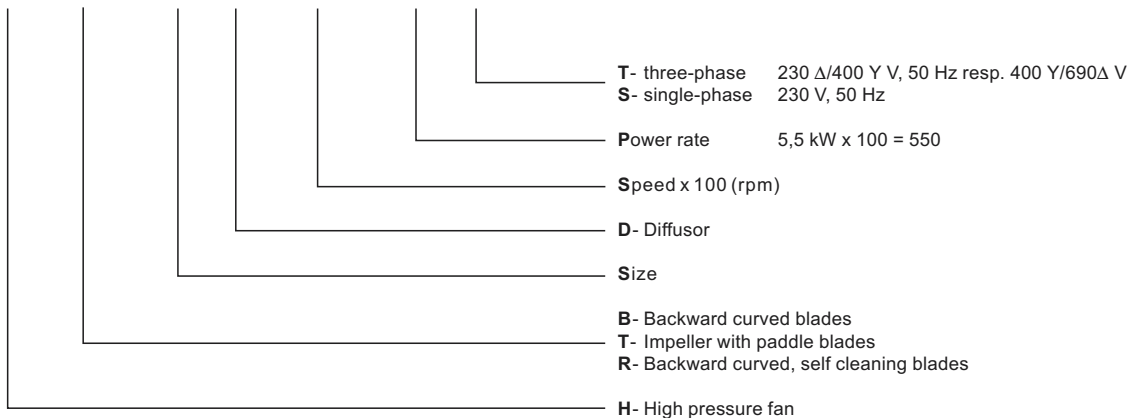
Single inlet, belt driven centrifugal fan with casing in cast aluminium and impeller with backward curved blades (type HPB), backward curved self cleaning blades (typ HPR) or straight radial blades (type HPT) in aluminium sheet. Casing and impeller in other materials for example stainless steel or galvanized steel sheet may be supplied on request.

Motor

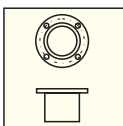
220-240/380-420V, 50Hz (380-420/660-720V above 3kW) three-phase or 220-240V, 50Hz single-phase asynchronous motor with capacitor. Insulation class F, enclosure IP55. Special voltage or frequency, improved enclosure IP65, 2-speed motors and explosion proof motors can be supplied on request. Wiring diagram, see page 235.

Model numbering system

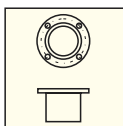
H P B - 260 D - 49 - 550 T



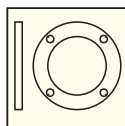
Accessories



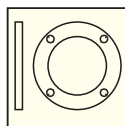
Connector suction side page 188



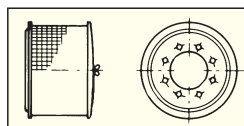
Connector pressure side page 188



Welding flange suction side page 189



Welding flange pressure side page 189



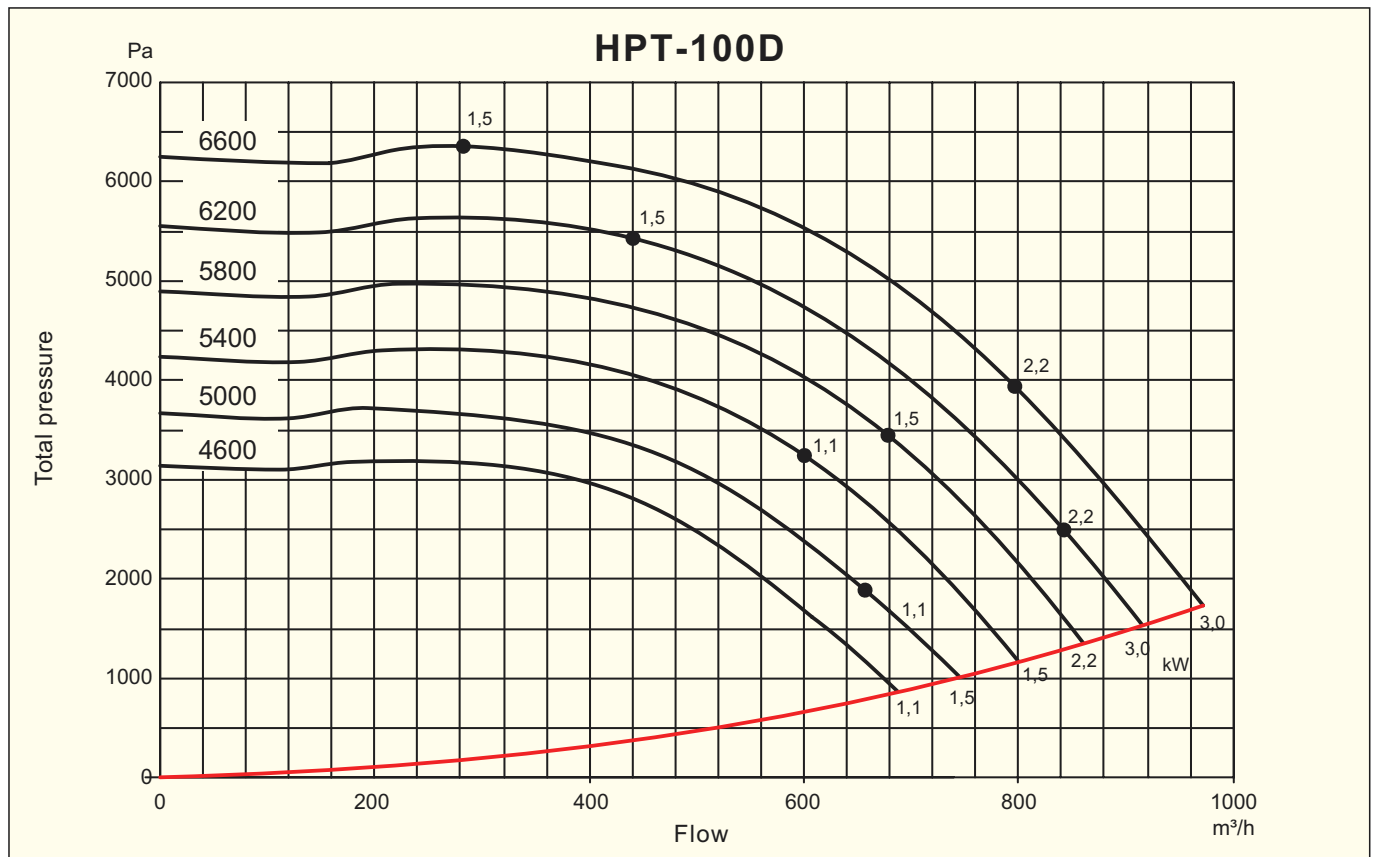
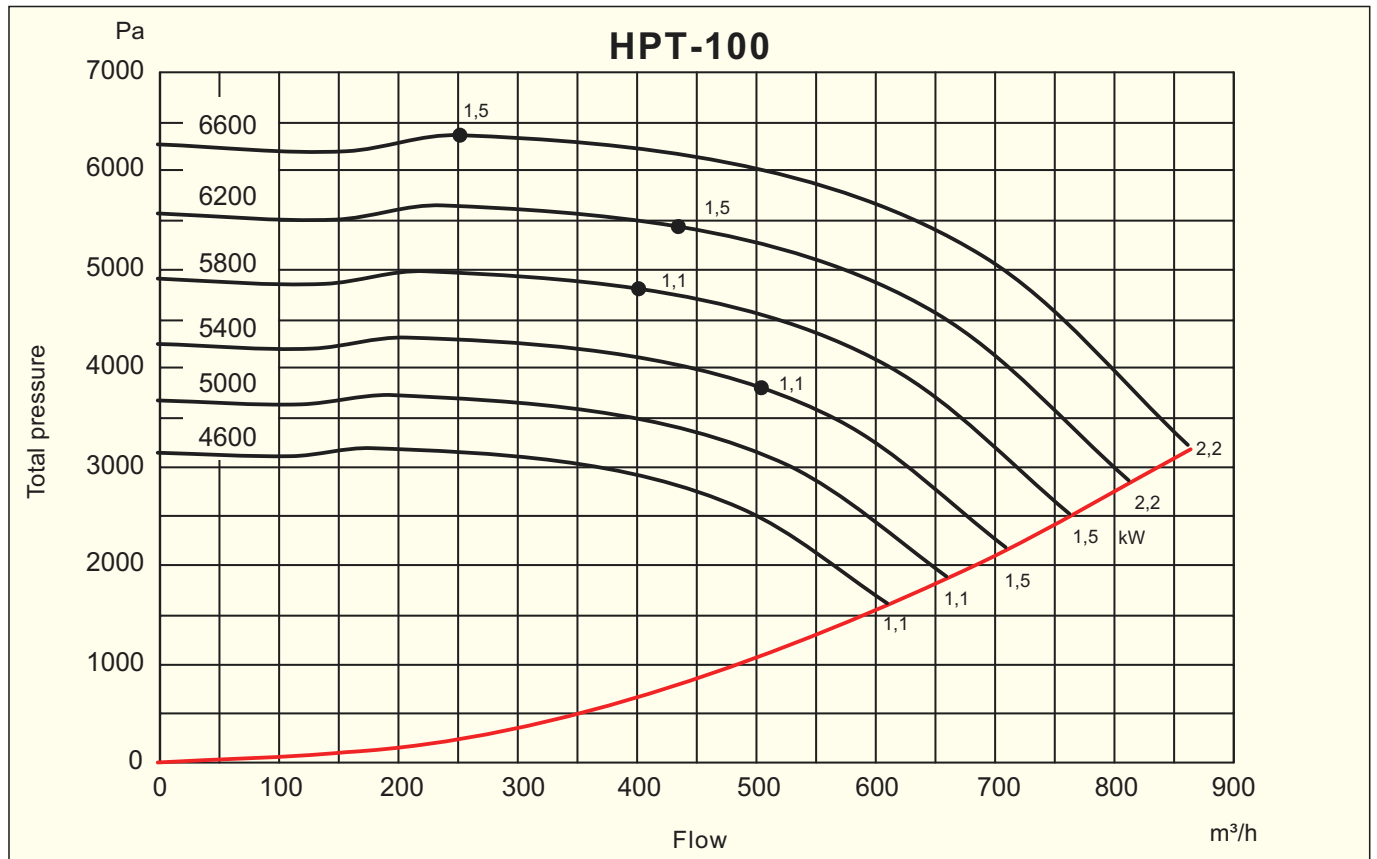
Filter suction side page 189

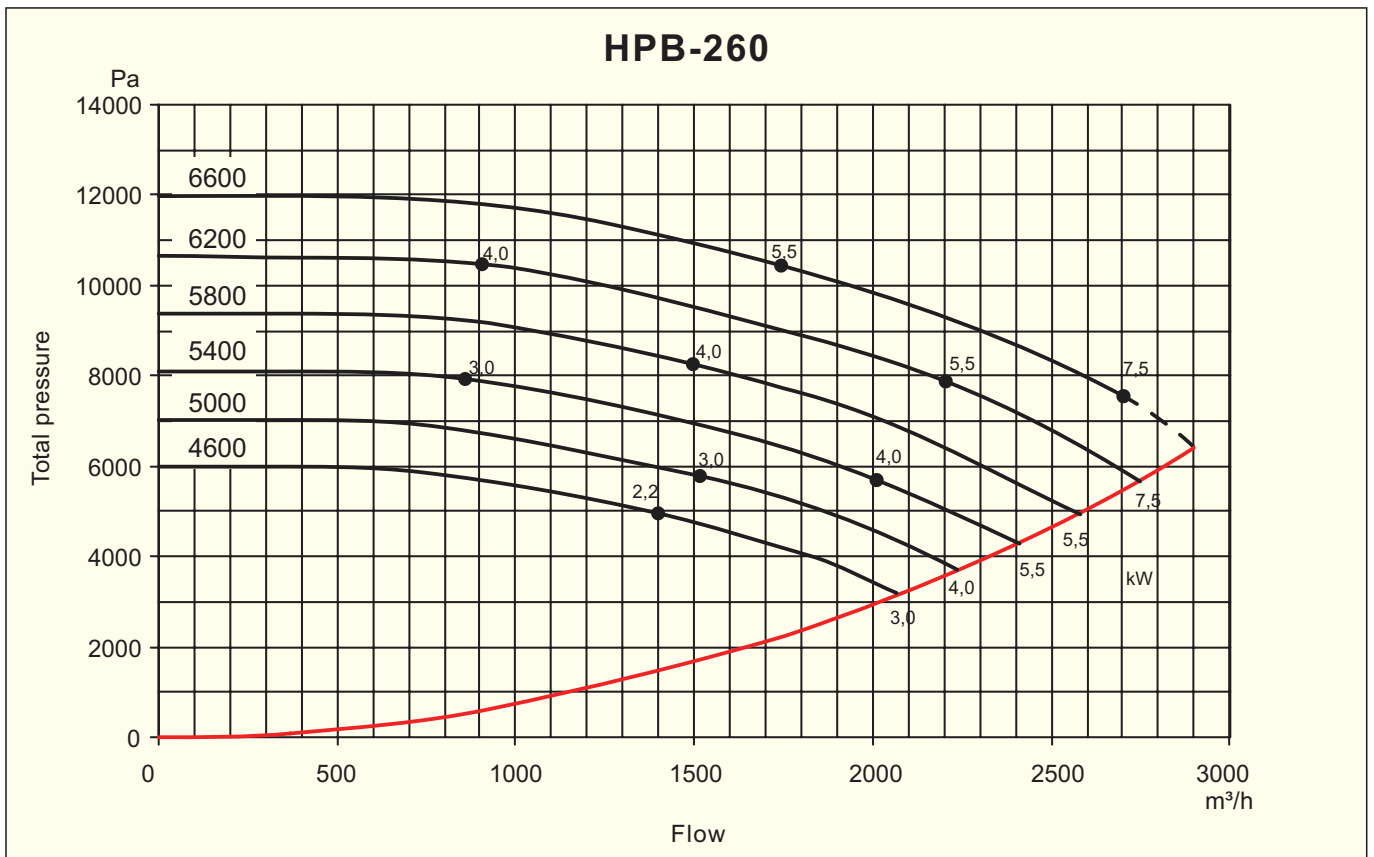
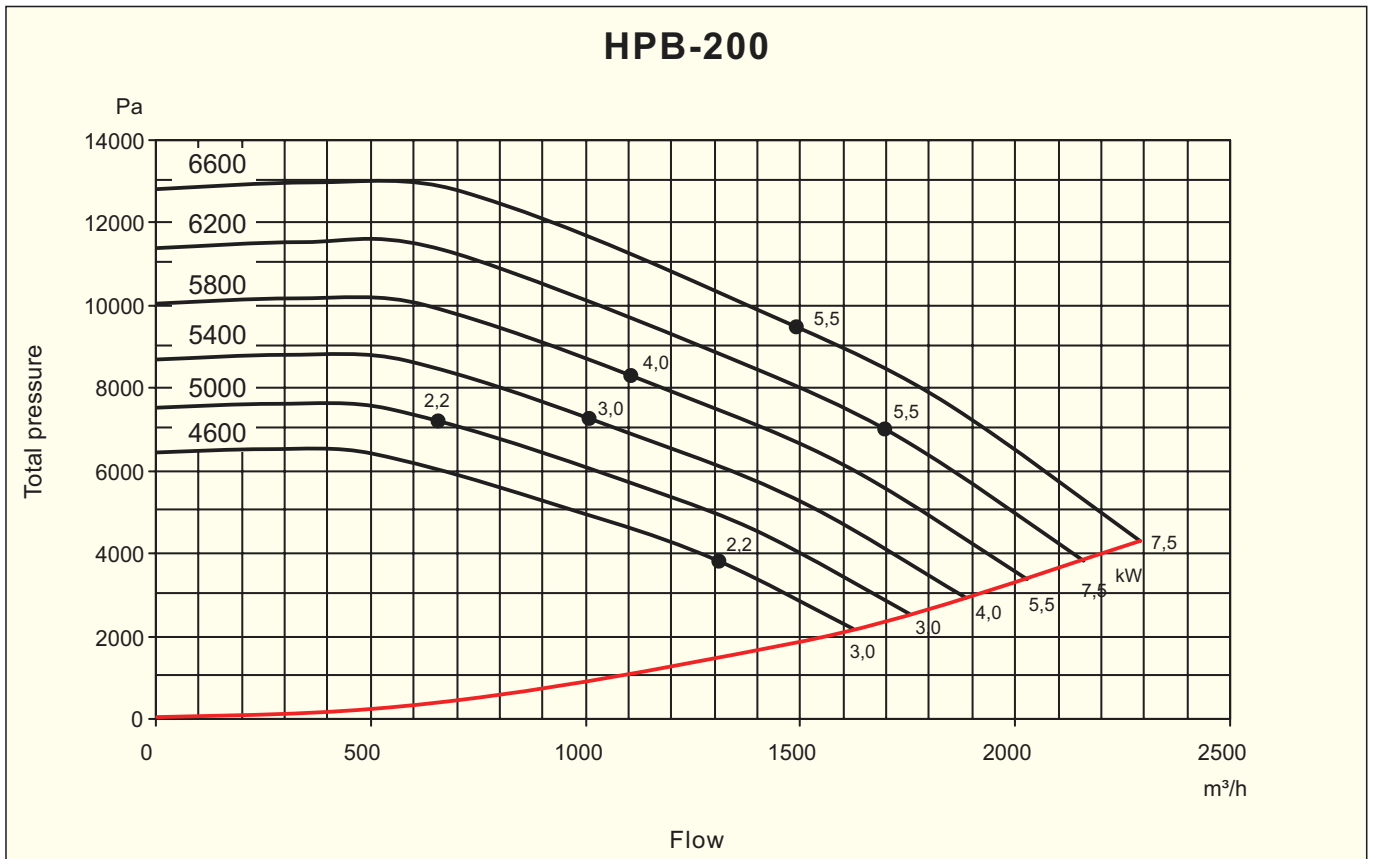
Technical specification

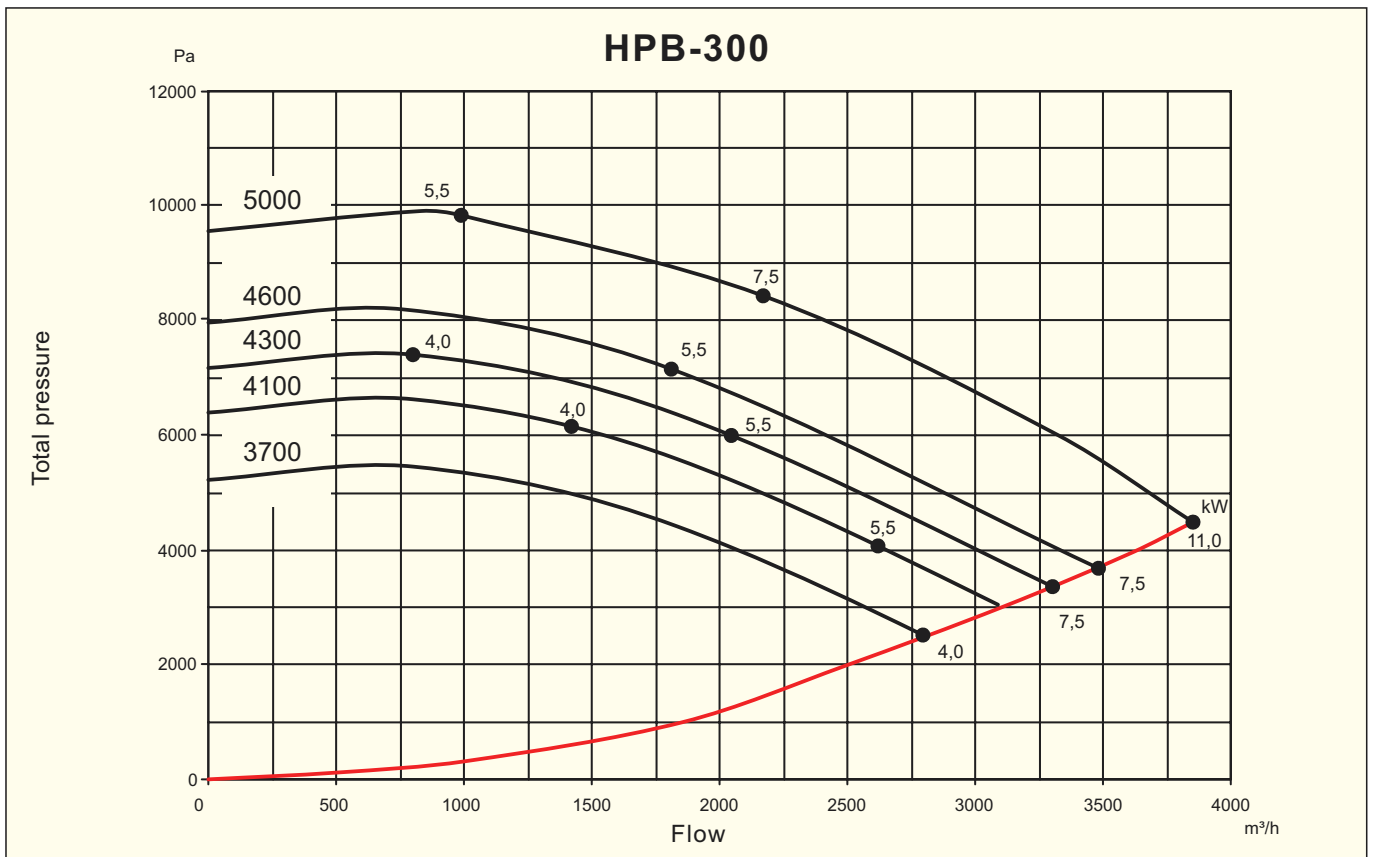
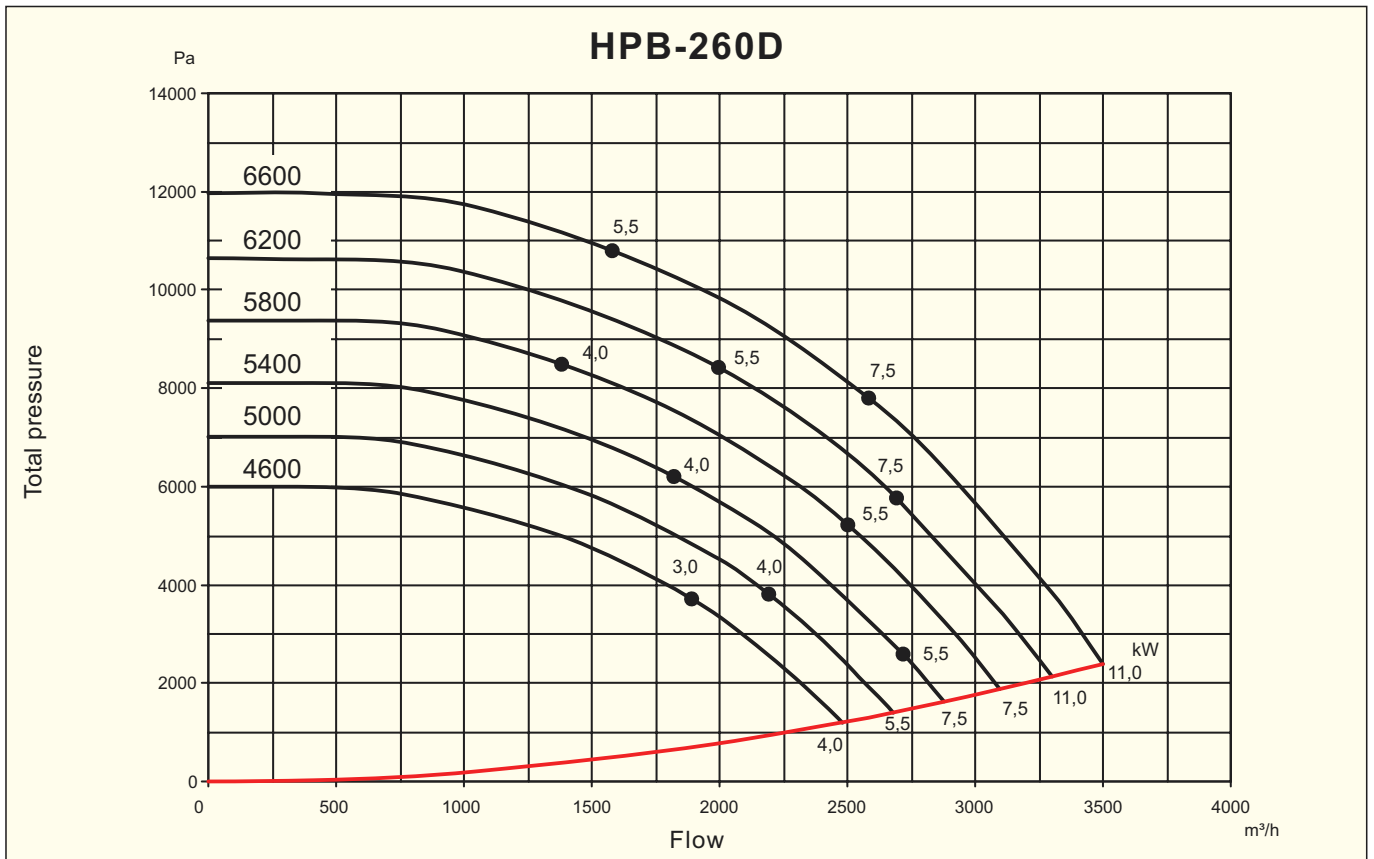
| Type | Motor power kW | Voltage V | Maximum current A | Weight kg | Sound level* dB(A) | Article number |
|----------|-------------------|--------------|-------------------------|--------------|-----------------------|----------------|
| HPT-100 | 1,1 | 230/400 | 4,32/2,5 | 38 | 88 | 113 650 100 |
| HPT-100 | 1,1 | 230 | 7,9 | 39 | 88 | 113 650 105 |
| HPT-100 | 1,5 | 230/400 | 5,9/3,4 | 41 | 88 | 113 650 110 |
| HPT-100 | 1,5 | 230 | 8,7 | 42 | 88 | 113 650 115 |
| HPT-100 | 2,2 | 230/400 | 8,3/4,9 | 45 | 88 | 113 650 120 |
| HPT-100 | 3,0 | 230/400 | 10,9/6,1 | 49 | 88 | 113 650 130 |
| HPT-100D | 2,2 | 230/400 | 8,3/4,9 | 46 | 90 | 113 650 140 |
| HPT-100D | 3,0 | 230/400 | 10,9/6,1 | 50 | 90 | 113 650 150 |
| HPB-200 | 2,2 | 230/400 | 8,0/4,6 | 70 | 88 | 113 650 180 |
| HPB-200 | 3,0 | 230/400 | 11,3/6,5 | 74 | 90 | 113 650 190 |
| HPB-200 | 4,0 | 400/690 | 7,8/4,5 | 85 | 95 | 113 650 200 |
| HPB-200 | 5,5 | 400/690 | 10,6/6,1 | 91 | 97 | 113 650 210 |
| HPB-260 | 3,0 | 230/400 | 11,3/6,5 | 74 | 90 | 113 650 220 |
| HPB-260 | 4,0 | 400/690 | 7,8/4,5 | 85 | 95 | 113 650 230 |
| HPB-260 | 5,5 | 400/690 | 10,6/6,1 | 91 | 97 | 113 650 240 |
| HPB-260 | 7,5 | 400/690 | 13,7/7,9 | 93 | 99 | 113 650 250 |
| HPB-260D | 4,0 | 400/690 | 7,8/4,5 | 86 | 95 | 113 650 260 |
| HPB-260D | 5,5 | 400/690 | 10,6/6,1 | 92 | 97 | 113 650 270 |
| HPB-260D | 7,5 | 400/690 | 13,7/7,9 | 94 | 99 | 113 650 280 |
| HPB-300 | 3,0 | 230/400 | 11,3/6,5 | 80 | 90 | 113 650 300 |
| HPB-300 | 4,0 | 400/690 | 7,8/4,5 | 90 | 95 | 113 650 305 |
| HPB-300 | 5,5 | 400/690 | 10,6/6,1 | 94 | 97 | 113 650 310 |
| HPB-300 | 7,5 | 400/690 | 13,7/7,9 | 97 | 99 | 113 650 315 |
| HPB-300 | 11 | 400/690 | 21,2/12,2 | 105 | 100 | 113 650 320 |
| HPB-360 | 7,5 | 400/690 | 13,7/7,9 | 139 | 100 | 113 650 360 |
| HPB-360 | 11,0 | 400/690 | 21,2/12,2 | 183 | 102 | 113 650 370 |
| HPB-360 | 15,0 | 400/690 | 27,2/15,7 | 198 | 105 | 113 650 380 |
| HPB-360 | 18,5 | 400/690 | 32,0/18,4 | 213 | 105 | 113 650 390 |
| HPR-400 | 11 | 400/690 | 21,2/12,2 | 190 | 100 | 113 650 400 |
| HPR-400 | 15 | 400/690 | 27,2/15,7 | 210 | 102 | 113 650 410 |
| HPR-400 | 18,5 | 400/690 | 32,0/18,4 | 225 | 105 | 113 650 420 |
| HPR-400 | 22 | 400/690 | 40,0/23,1 | 255 | 105 | 113 650 430 |
| HPR-400 | 30 | 400/690 | 53,0/30,6 | 320 | 107 | 113 650 440 |

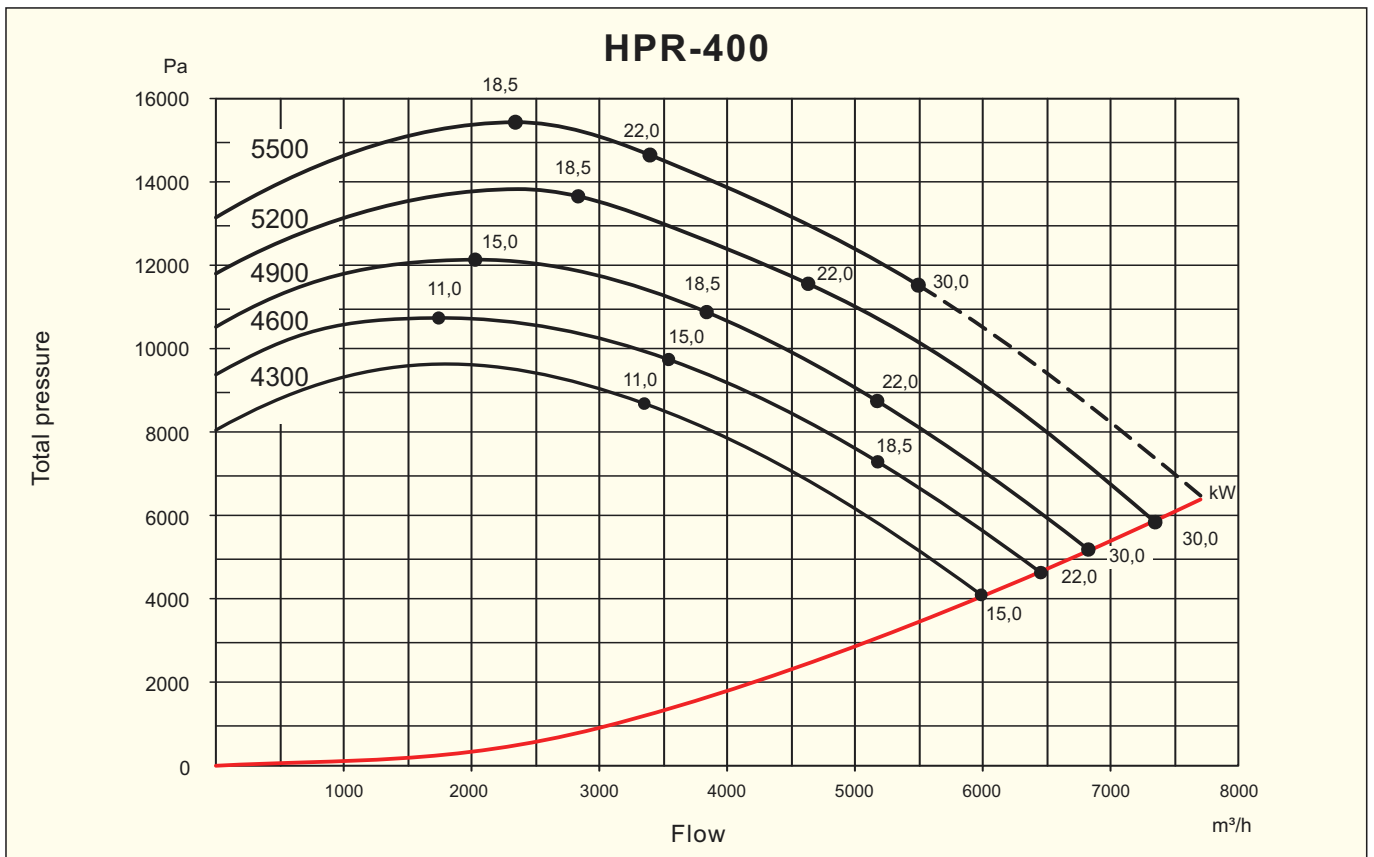
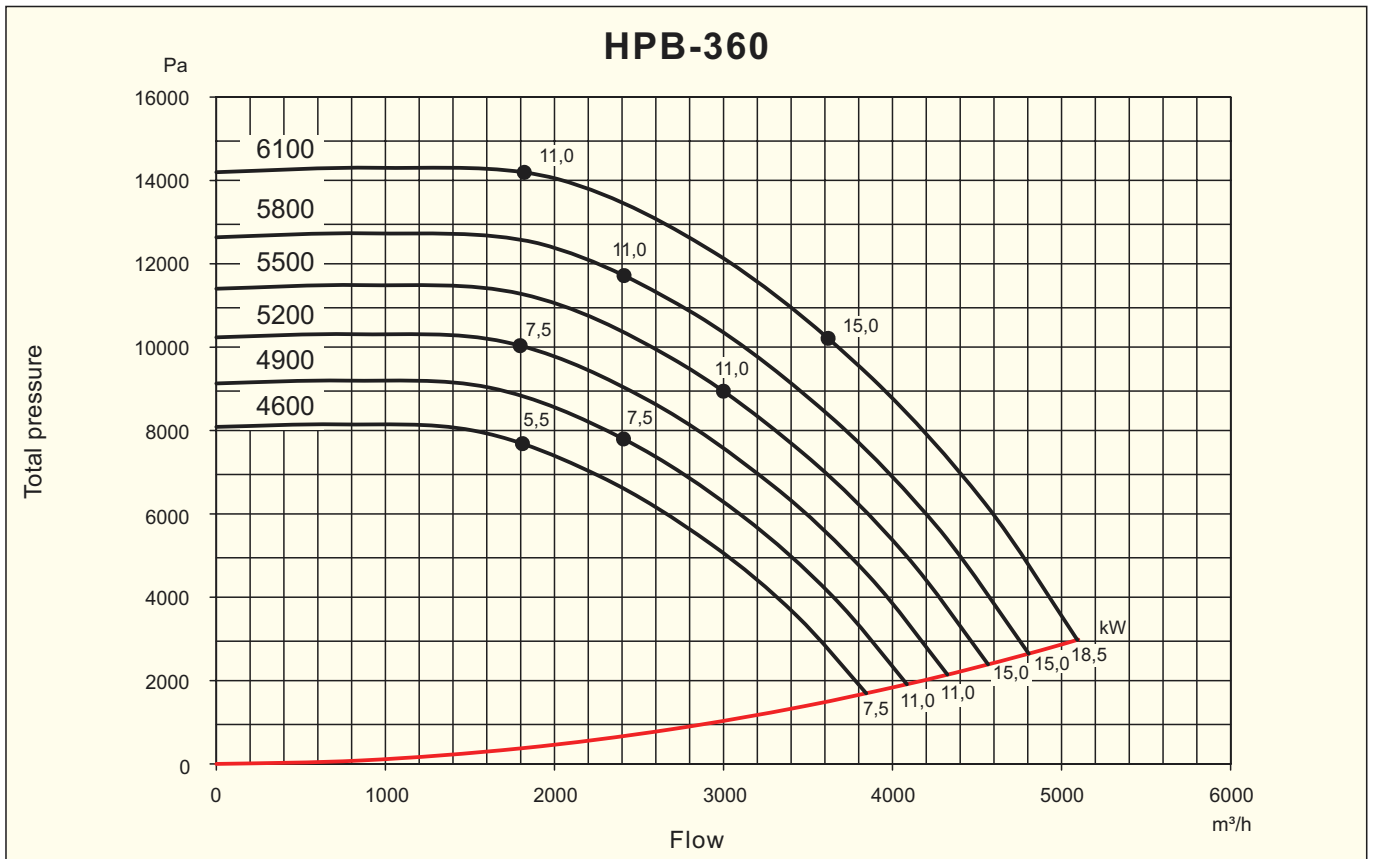
* - in the middle of the performance curve.

Performance curves



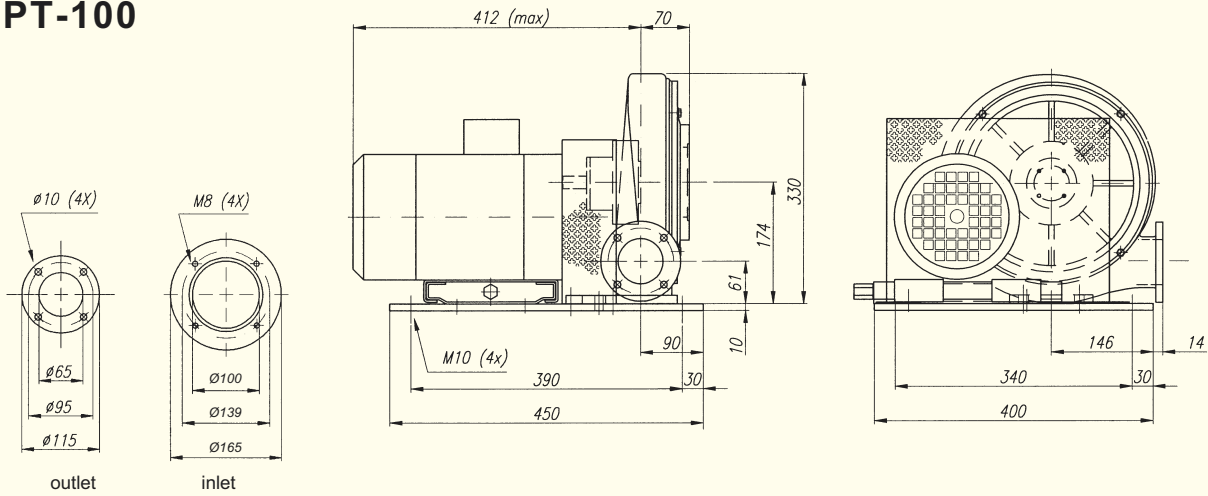




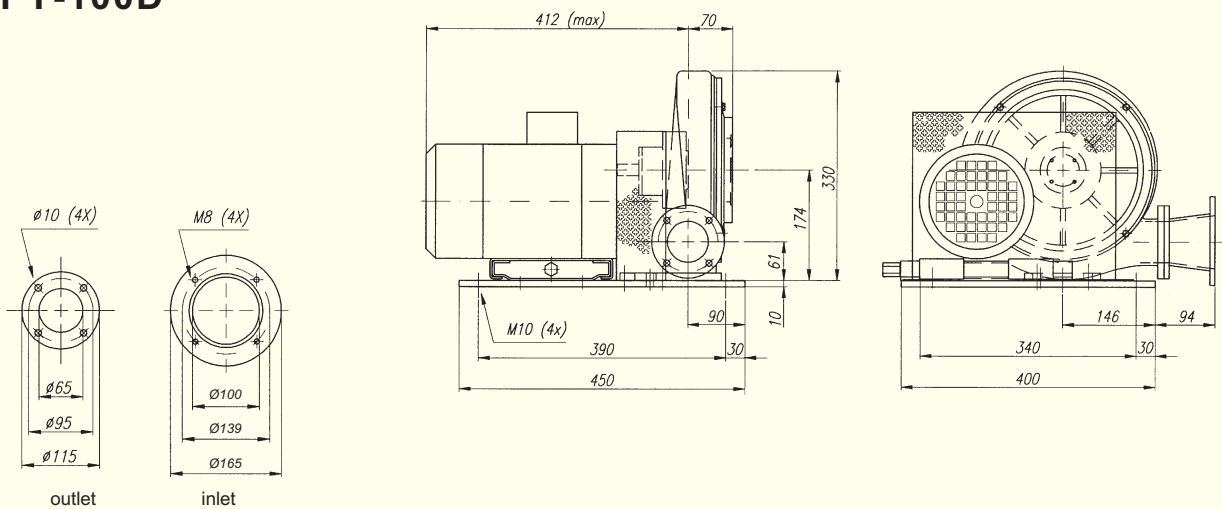


Dimensions in mm

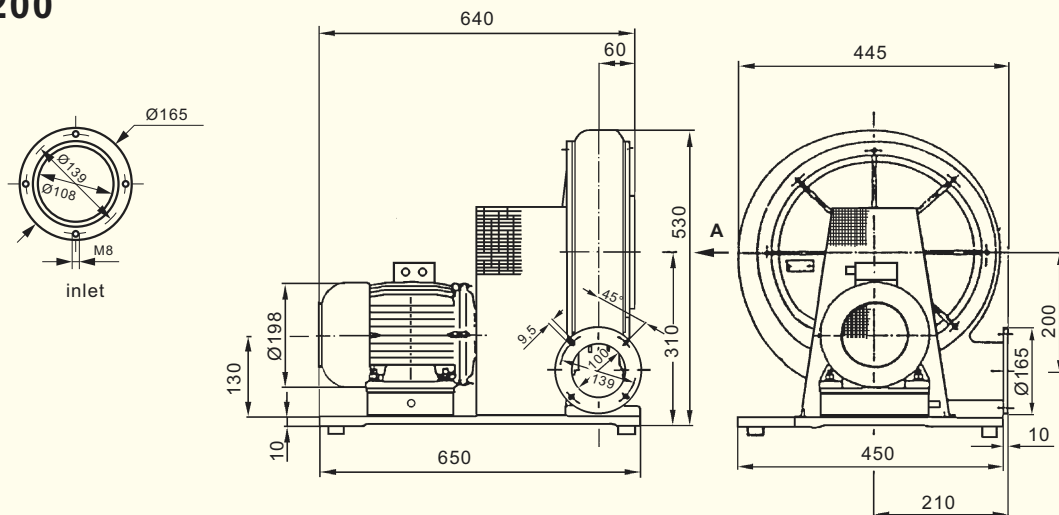
HPT-100



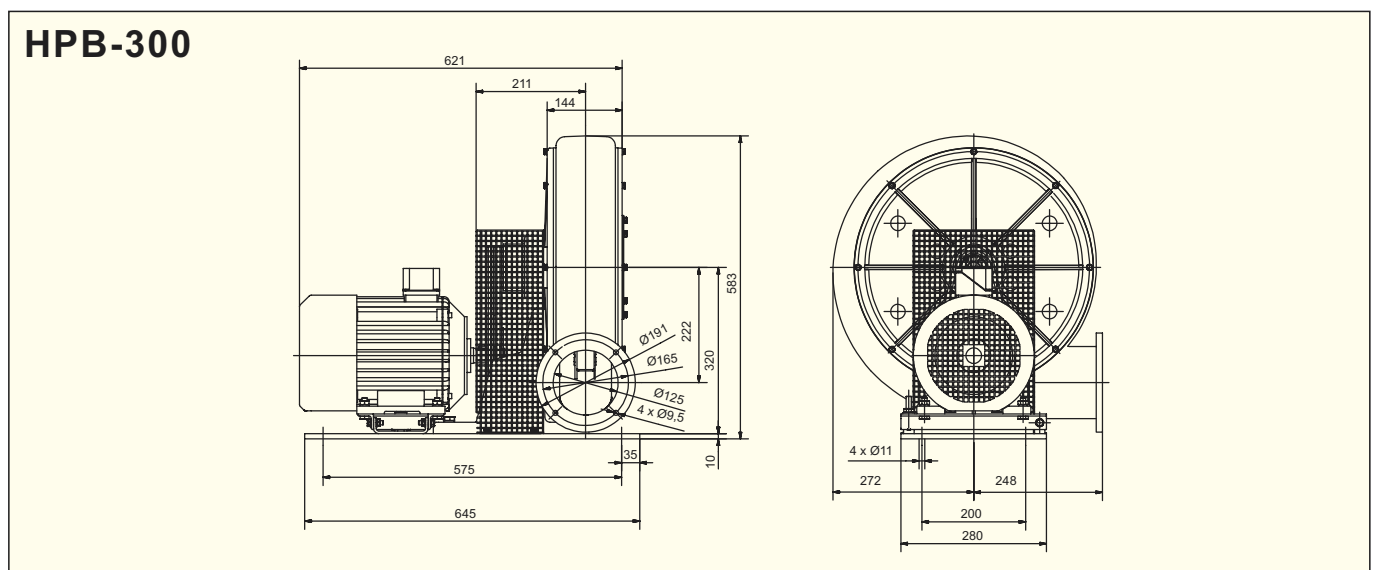
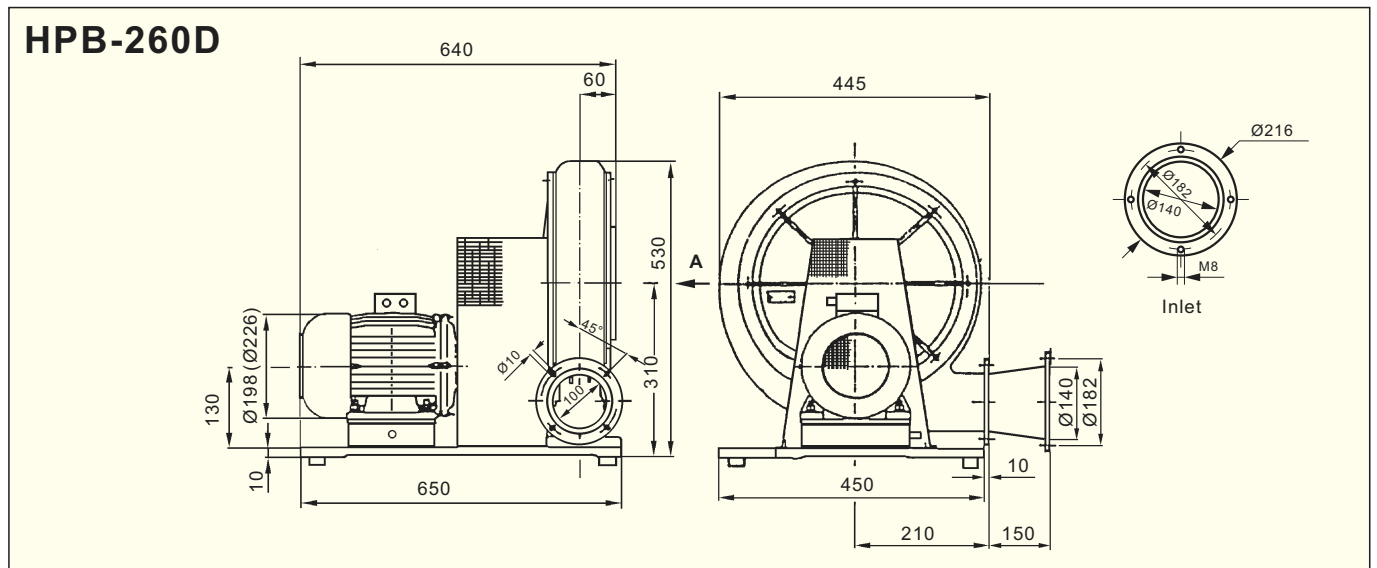
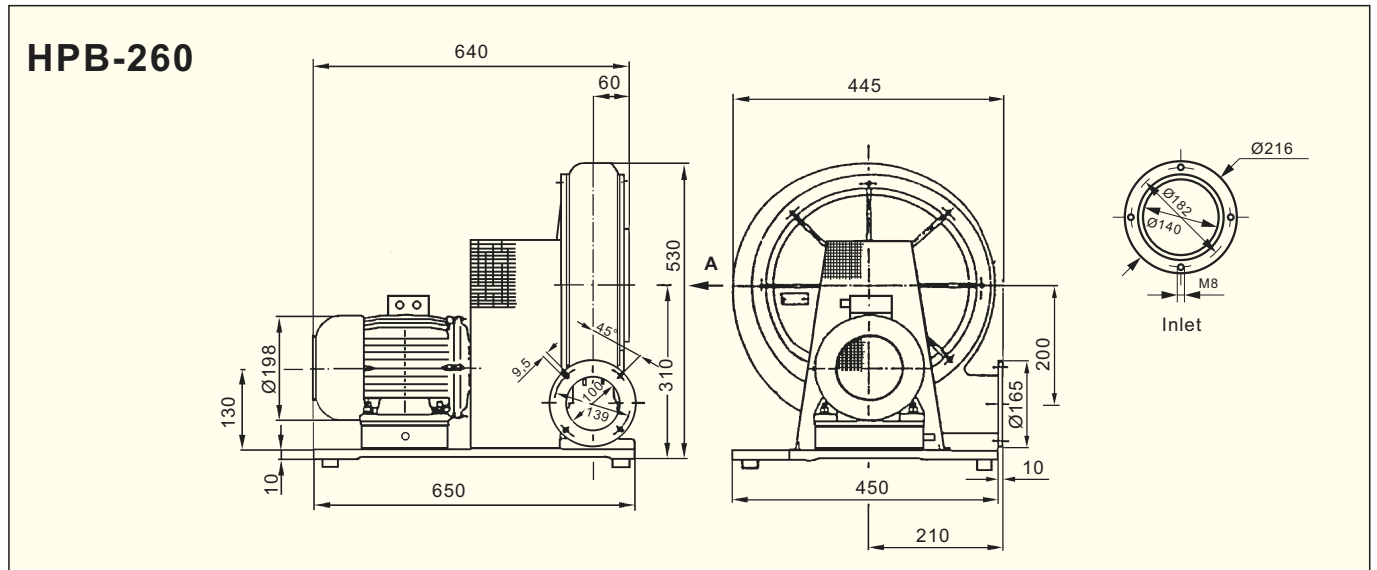
HPT-100D



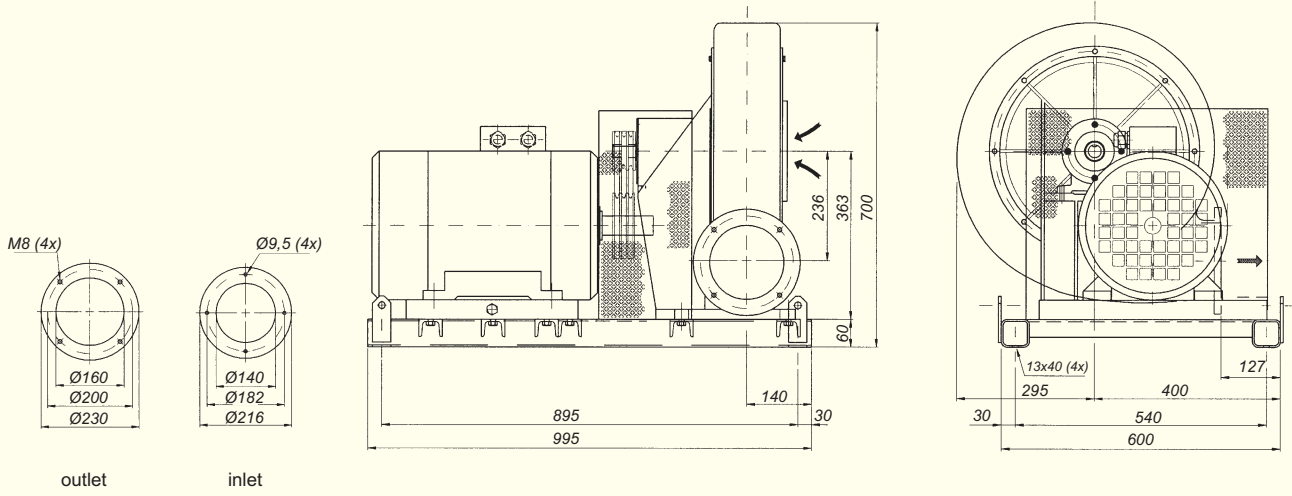
HPB-200



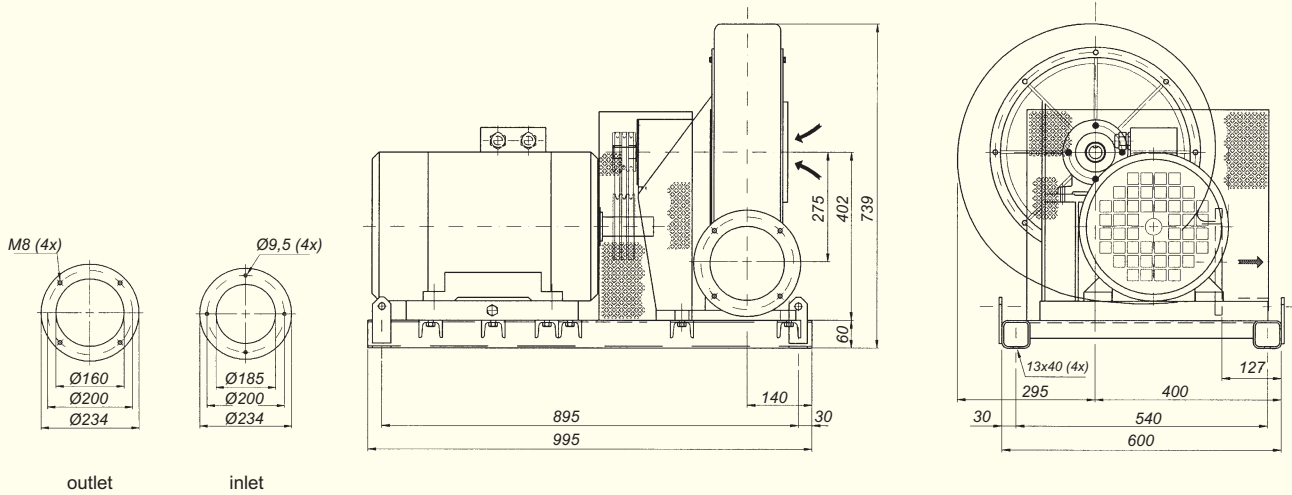
Dimensions in mm



HPB-360



HPR-400



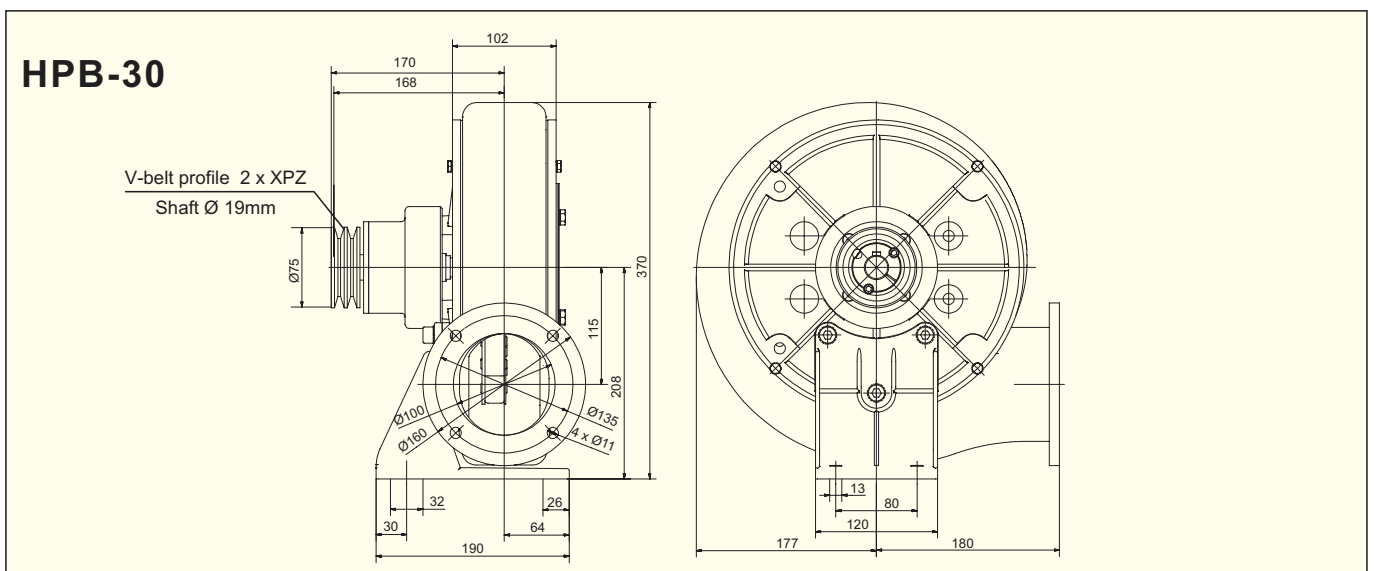
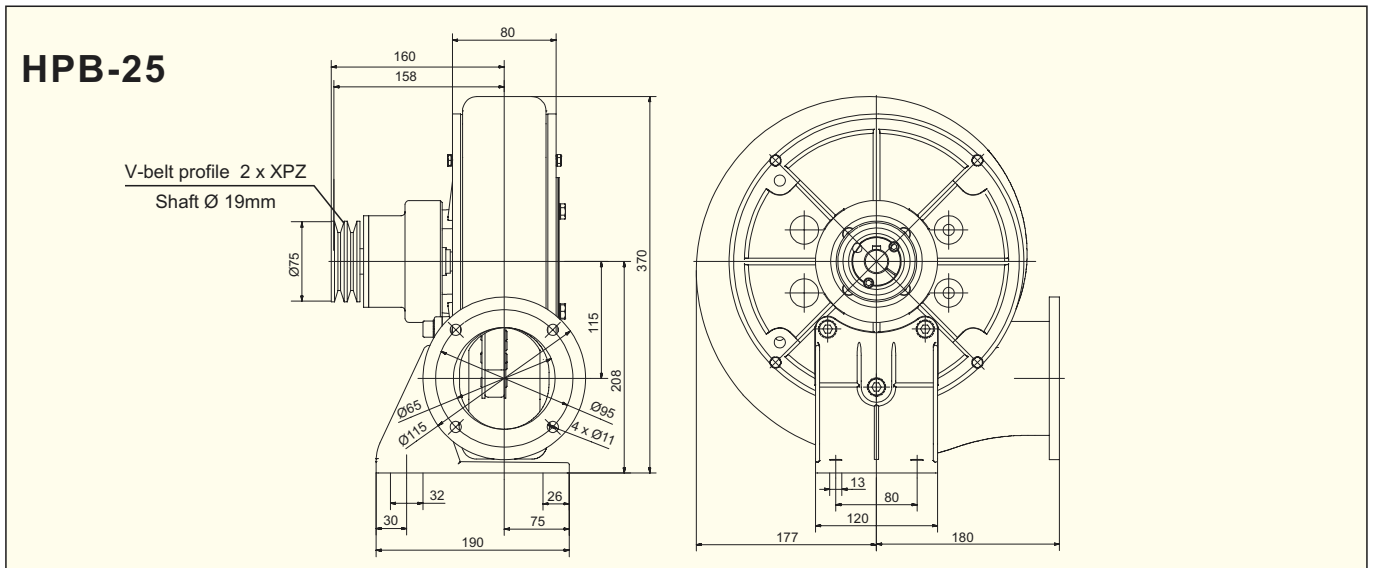


Technical specification*

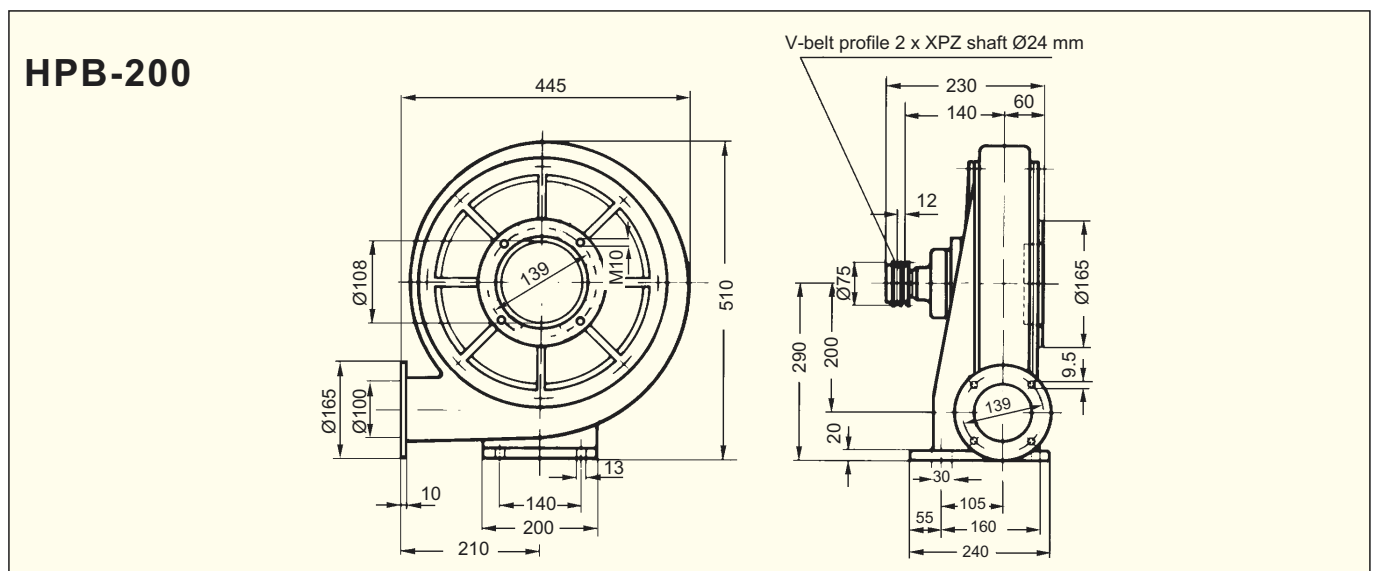
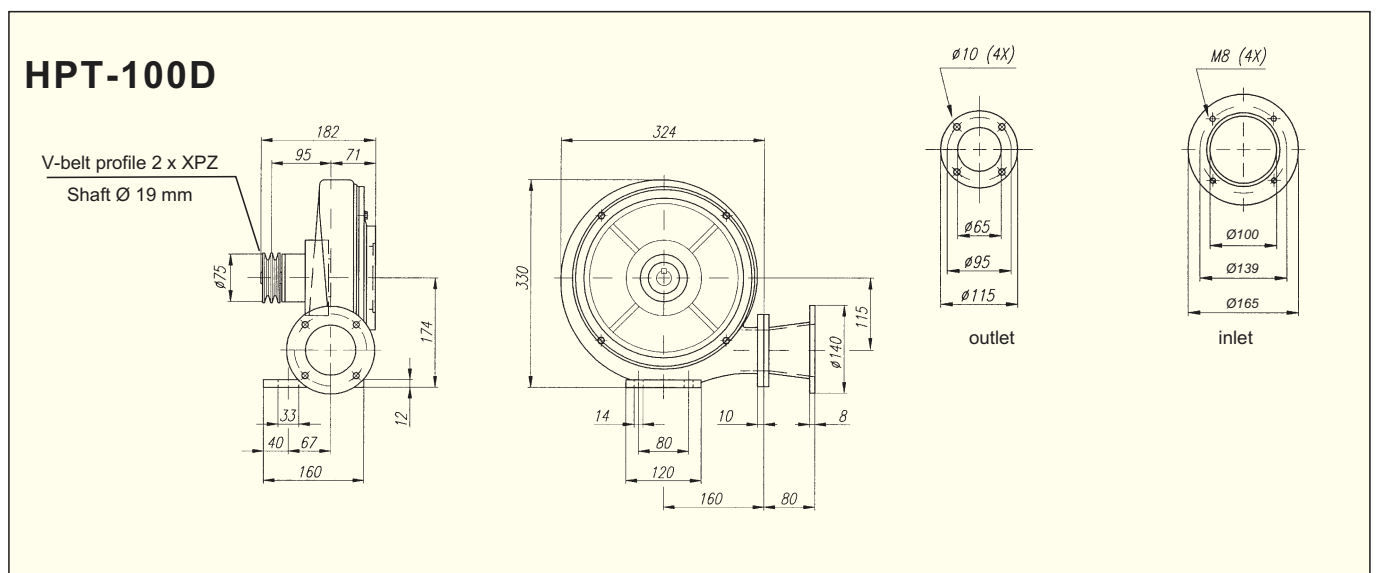
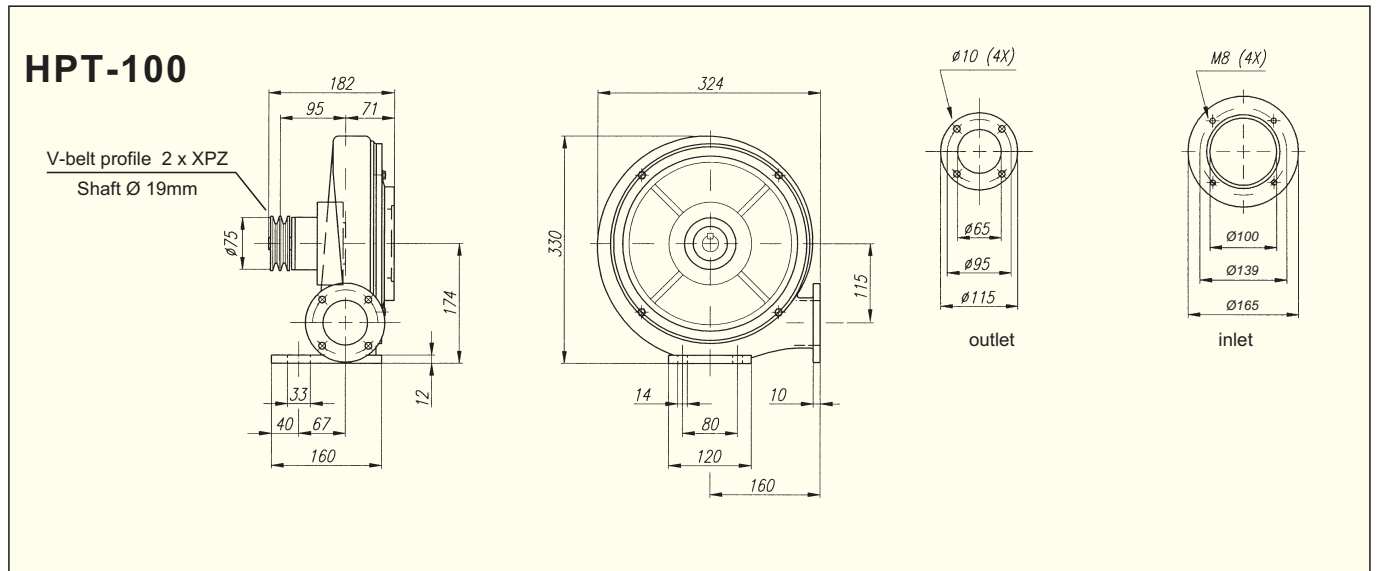
| Type | Speed (max) rpm | Motor power kW | Maximum duty m³/h | Maximum pressure Pa | Weight kg | Article number* |
|----------|-----------------|----------------|-------------------|---------------------|-----------|-----------------|
| HPB-25 | 6600 | 3,0 | 950 | 7000 | 7,0 | 113 650 490 |
| HPB-30 | 6600 | 3,0 | 950 | 7000 | 9,0 | 113 650 495 |
| HPT-100 | 6600 | 3,0 | 850 | 6200 | 6,0 | 113 650 500 |
| HPT-100D | 6600 | 3,0 | 1000 | 6200 | 7,0 | 113 650 510 |
| HPB-200 | 6600 | 5,5 | 2300 | 12900 | 19 | 113 650 520 |
| HPB-260 | 6600 | 7,5 | 2800 | 12000 | 19 | 113 650 530 |
| HPB-260D | 6600 | 7,5 | 3500 | 12000 | 20 | 113 650 540 |
| HPB-300 | 6400 | 11,0 | 4500 | 16000 | 28 | 113 650 550 |
| HPB-360 | 6400 | 18,5 | 5000 | 16000 | 30 | 113 650 580 |
| HPR-400 | 5800 | 30,0 | 7500 | 16000 | 40 | 113 650 590 |

* - bare unit only

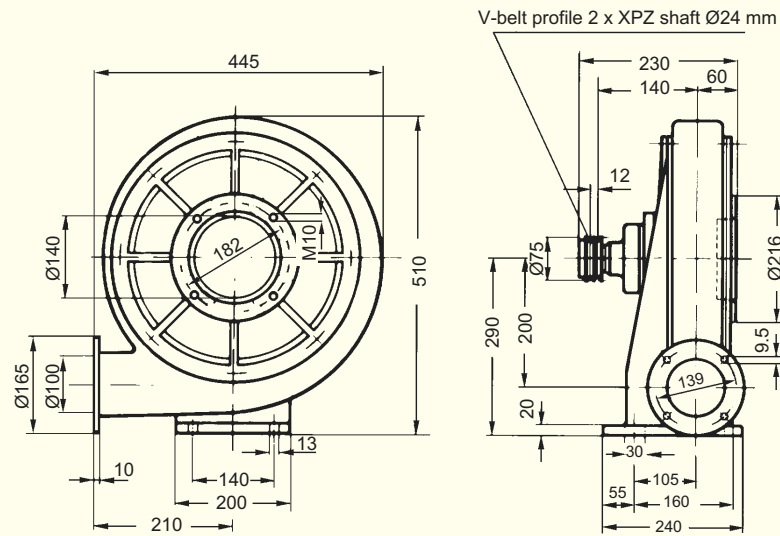
Dimensions in mm



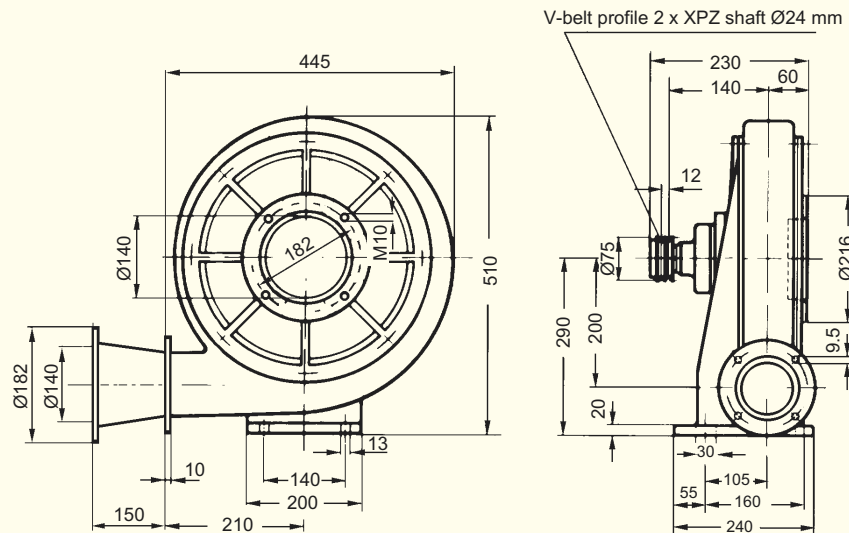
Dimensions in mm



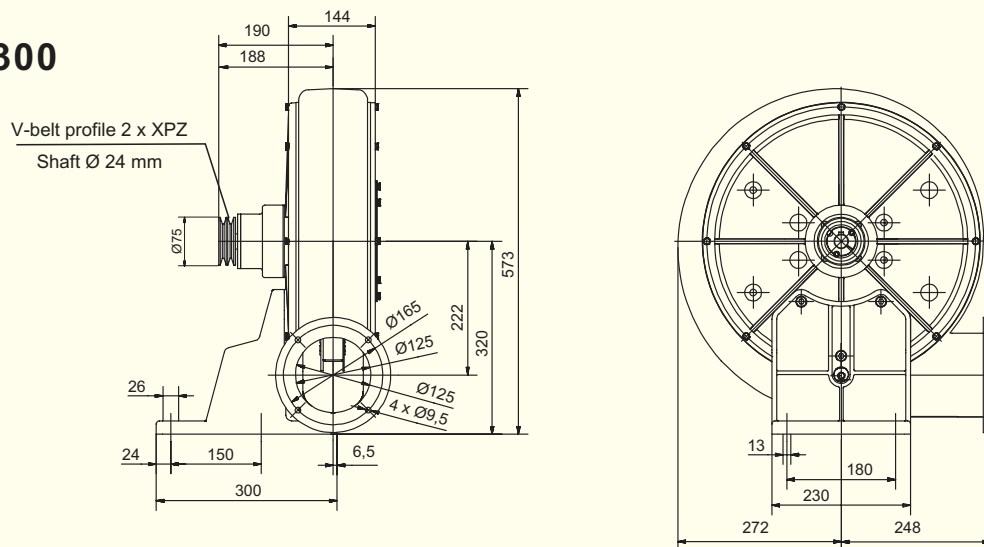
HPB-260



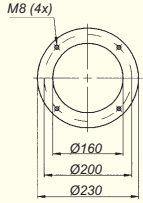
HPB-260D



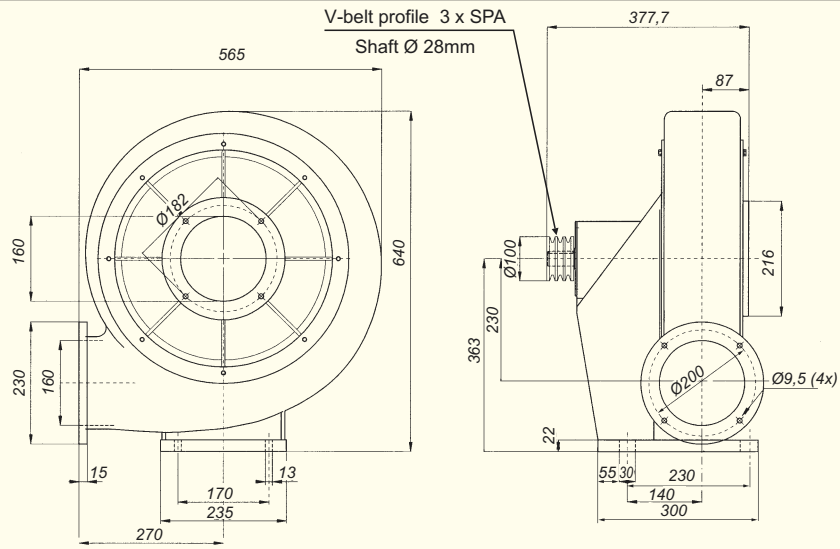
HPB-300



HPB-360

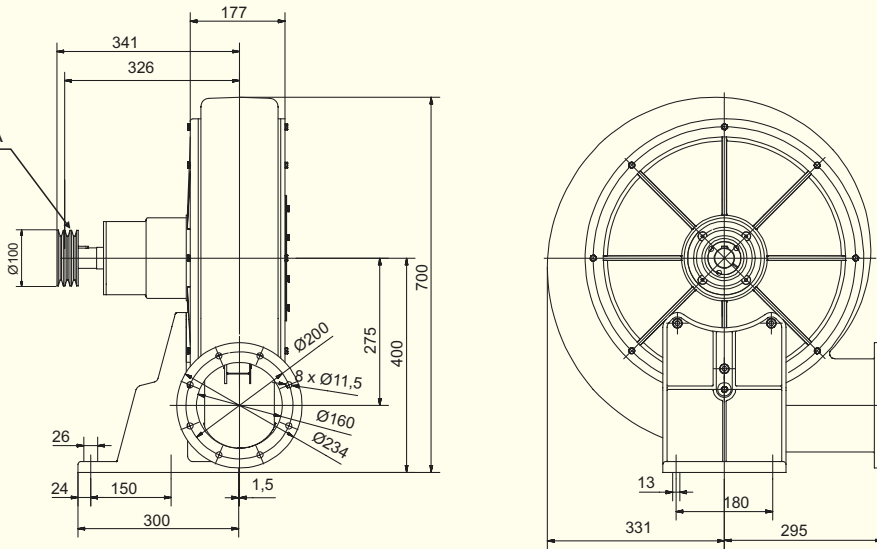


outlet

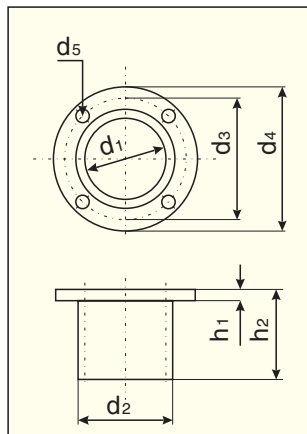


HPR-400

V-belt profile 3 x SPA
Shaft Ø 38mm



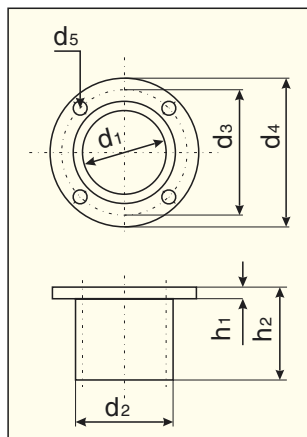
Connector suction side



| Type | d ₁ | d ₂ | d ₃ | d ₄ | d ₅ | h ₁ | h ₂ | Article number |
|-----------|----------------|----------------|----------------|----------------|----------------|----------------|----------------|----------------|
| HPB-25 | 110 | 125 | 139 | 165 | 9 | 10 | 80 | 113 611 180 |
| HPB-30 | 110 | 125 | 139 | 165 | 9 | 10 | 80 | 113 611 180 |
| HPT-100* | 100 | 108 | | | | | | 113 561 100* |
| HPT-100D* | 100 | 108 | | | | | | 113 561 125* |
| HPB-200 | 110 | 125 | 139 | 165 | 9 | 10 | 80 | 113 611 180 |
| HPB-260 | 148 | 160 | 182 | 200 | 9 | 10 | 80 | 113 611 220 |
| HPB-260D | 148 | 160 | 182 | 200 | 9 | 10 | 80 | 113 611 220 |
| HPB-300 | 148 | 160 | 182 | 200 | 9 | 10 | 80 | 113 611 230 |
| HPB-360 | 148 | 160 | 182 | 200 | 9 | 10 | 80 | 113 611 220 |
| HPR-400 | 172 | 180 | 200 | 234 | 9 | 10 | 80 | 113 611 240 |

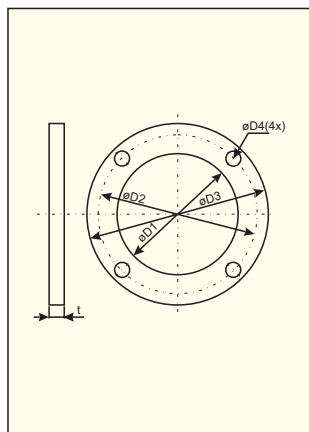
* - use inlet with connector

Connector pressure side



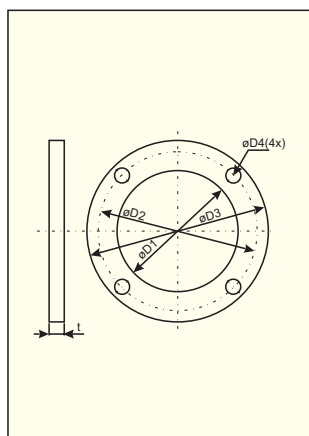
| Type | d ₁ | d ₂ | d ₃ | d ₄ | d ₅ | h ₁ | h ₂ | Article number |
|----------|----------------|----------------|----------------|----------------|----------------|----------------|----------------|----------------|
| HPB-25 | 65 | 76 | 95 | 115 | 10 | 10 | 80 | 113 562 100 |
| HPB-30 | 65 | 76 | 95 | 115 | 10 | 10 | 80 | 113 562 100 |
| HPT-100 | 65 | 76 | 95 | 115 | 10 | 10 | 80 | 113 562 100 |
| HPT-100D | 80 | 89 | 112 | 130 | 11 | 10 | 80 | 113 562 160 |
| HPB-200 | 100 | 112 | 139 | 165 | 9,5 | 10 | 80 | 113 612 180 |
| HPB-260 | 100 | 112 | 139 | 165 | 9,5 | 10 | 80 | 113 612 180 |
| HPB-260D | 140 | 150 | 182 | 200 | 10 | 10 | 80 | 113 662 540 |
| HPB-300 | 125 | 139 | 165 | 190 | 10 | 10 | 80 | 113 562 270 |
| HPB-360 | 160 | 170 | 200 | 230 | 10 | 11 | 80 | 113 562 260 |
| HPR-400 | 160 | 170 | 200 | 230 | 10 | 10 | 80 | 113 562 280 |

Welding flange suction side



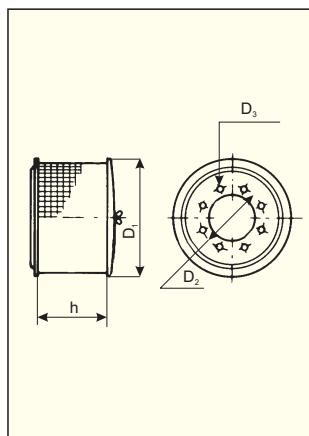
| Type | D ₁ | D ₂ | D ₃ | D ₄ | t | Article number |
|----------|----------------|----------------|----------------|----------------|----|----------------|
| HPB-25 | 110 | 139 | 165 | 9 | 10 | 113 617 160 |
| HPB-30 | 110 | 139 | 165 | 9 | 10 | 113 617 160 |
| HPT-100 | 100 | 139 | 165 | 8,5 | 10 | 113 567 100 |
| HPT-100D | 100 | 139 | 165 | 8,5 | 10 | 113 567 100 |
| HPB-200 | 110 | 139 | 165 | 9 | 10 | 113 617 180 |
| HPB-260 | 148 | 182 | 200 | 9 | 10 | 113 617 220 |
| HPB-260D | 148 | 182 | 200 | 9 | 10 | 113 617 220 |
| HPB-300 | 148 | 182 | 200 | 9 | 10 | 113 617 230 |
| HPB-360 | 148 | 182 | 200 | 9 | 10 | 113 617 220 |
| HPR-400 | 172 | 200 | 234 | 9 | 10 | 113 617 240 |

Welding flange pressure side

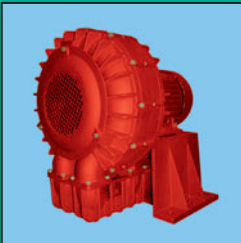
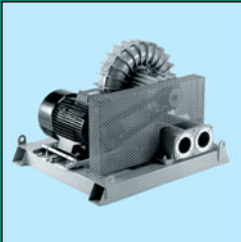


| Type | D ₁ | D ₂ | D ₃ | D ₄ | t | Article number |
|----------|----------------|----------------|----------------|----------------|----|----------------|
| HPB-25 | 65 | 95 | 115 | 10 | 10 | 113 613 160 |
| HPB-30 | 65 | 95 | 115 | 10 | 10 | 113 613 160 |
| HPT-100 | 65 | 95 | 115 | 10 | 10 | 113 563 100 |
| HPT-100D | 80 | 112 | 130 | 11 | 10 | 113 563 160 |
| HPB-200 | 100 | 139 | 165 | 9,5 | 10 | 113 613 180 |
| HPB-260 | 100 | 139 | 165 | 9,5 | 10 | 113 613 180 |
| HPB-260D | 140 | 182 | 200 | 10 | 10 | 113 663 540 |
| HPB-300 | 125 | 165 | 190 | 9 | 10 | 113 563 270 |
| HPB-360 | 160 | 200 | 230 | 11 | 10 | 113 563 260 |
| HPR-400 | 160 | 200 | 230 | 10 | 10 | 113 563 260 |

Filter suction side



| Type | D ₁ | D ₂ | D ₃ | h | Article number |
|----------|----------------|----------------|----------------|-----|----------------|
| HPB-25 | 284 | 139 | 10 | 140 | 113 565 100 |
| HPB-30 | 284 | 139 | 10 | 140 | 113 565 100 |
| HPT-100 | 284 | 139 | 10 | 140 | 113 565 100 |
| HPT-100D | 284 | 139 | 10 | 140 | 113 565 100 |
| HPB-200 | 284 | 139 | 9 | 190 | 113 615 180 |
| HPB-260 | 284 | 182 | 9 | 300 | 113 615 220 |
| HPB-260D | 284 | 182 | 9 | 300 | 113 615 220 |
| HPB-300 | 284 | 182 | 9 | 300 | 113 615 220 |
| HPB-360 | 560 | 182 | 10 | 395 | 113 565 260 |
| HPR-400 | 560 | 200 | 9 | 395 | 113 565 270 |



| | |
|-------------------|-----|
| SC | 192 |
| SC - V-belt drive | 201 |
| DSC, PSC | 205 |
| Accessories | 211 |

In-Line Fans

Axial-flow Fans Wall Versions

Axial-flow Fans Cased Versions

Roof Fans

Fans "ATEX"

Centrifugal Fans VISP/VASP

Centrifugal Fans

Side Channel Blowers

Chip Extractors

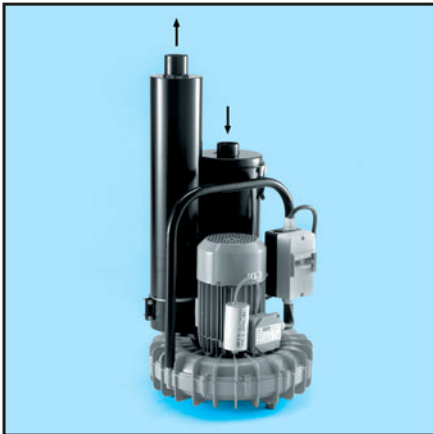
Domestic Fans

Accessories

Electric Diagrams

General Information

Index



Construction

Direct driven side channel blowers designed for oil free conveying of non explosive and non aggressive medium. These blowers are suitable for either pressure or vacuum systems. All blower parts are of cast aluminium, highly resistant to corrosion. Silencer on the discharge- and intake side is standard. The blowers are suitable for mounting in a vertical or horizontal position. V-belt driven blowers or blowers with customer adjusted capacity can be supplied on request.

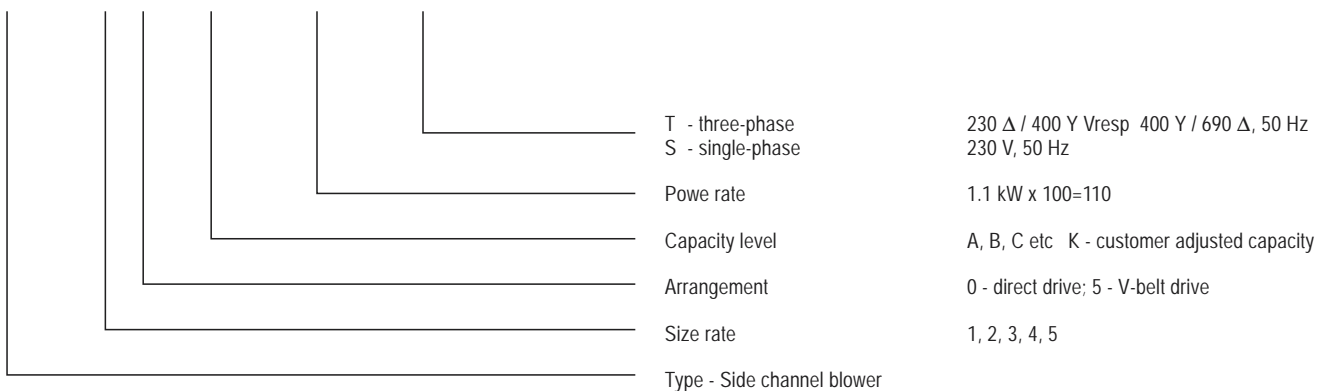
Motor

220-240/380-420V, 50Hz (380-420/660-690V over 3kW) three-phase or 220-240V, 50Hz single-phase asynchronous motor with capacitor. Insulation class F, enclosure IP55. Special voltage or frequency, improved enclosure IP65, 2-speed motors and explosion proof motors can be supplied on request. Wiring diagram, see page 235.

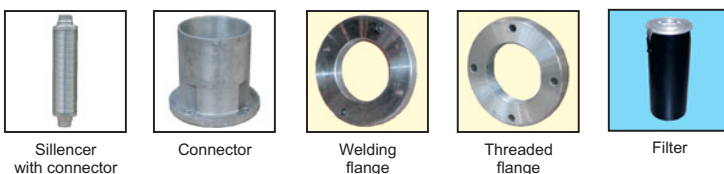
The performance curves hold with a tolerance of $\pm 10\%$ for pressure and $\pm 10\%$ for air flow and at an inlet temperature of $+15^{\circ}\text{C}$, at an atmospheric pressure of 1013 mbar and at an ambient temperature of 25°C . We reserve the right for construction- and capacity changes without prior notice. We take no responsibility what so ever for any printing errors in the catalogue. Unbroken curves hold at continuous running and with an ambient temperature of max. $+40^{\circ}\text{C}$. If higher pressure/vacuum is required, 2-step designs or belt drive are recommended.

Model numbering system

SC 20 A 110 T



Accessories (see page 211)



Side channel blowers three-phase

| Type | Motor power | Voltage | Maximum current | Maximum duty | Sound level** | Weight | Article number |
|--------------|-------------|-----------|-----------------|--------------|---------------|--------|----------------|
| | kW | V | A | m³/h | dB (A) | kg | |
| SC10A-037T | 0,37 | 230 / 400 | 1,76 / 1,02 | 110 | 71 | 15,0 | 113 750 120 |
| SC10A-055T* | 0,55 | 230 / 400 | 2,35 / 1,35 | 110 | 72 | 16,0 | 113 750 125 |
| SC10C-055T | 0,55 | 230 / 400 | 2,35 / 1,35 | 110 | 72 | 16,0 | 113 750 130 |
| SC10C-075T | 0,75 | 230 / 400 | 3,3 / 1,9 | 110 | 73 | 18,5 | 113 750 135 |
| SC20A-110T* | 1,10 | 230 / 400 | 4,3 / 2,5 | 190 | 75 | 22,0 | 113 750 185 |
| SC20A-150T | 1,50 | 230 / 400 | 5,9 / 3,4 | 190 | 77 | 24,5 | 113 750 190 |
| SC20C-110T | 1,10 | 230 / 400 | 4,5 / 2,5 | 190 | 75 | 22,0 | 113 750 200 |
| SC20C-150T* | 1,50 | 230 / 400 | 5,9 / 3,4 | 190 | 77 | 24,5 | 113 750 205 |
| SC30A-220T* | 2,20 | 230 / 400 | 8,0 / 4,6 | 320 | 78 | 36,0 | 113 750 270 |
| SC30A-300T | 3,00 | 230 / 400 | 11,3 / 6,5 | 320 | 80 | 40,0 | 113 750 272 |
| SC30C-220T | 2,20 | 230 / 400 | 8,0 / 4,6 | 320 | 78 | 36,0 | 113 750 275 |
| SC30C-300T* | 3,00 | 230 / 400 | 11,3 / 6,5 | 320 | 81 | 40,0 | 113 750 283 |
| SC40A-550T* | 5,50 | 400 / 690 | 10,6 / 6,1 | 650 | 84 | 70,0 | 113 750 330 |
| SC40A-750T* | 7,50 | 400 / 690 | 14,0 / 8,1 | 650 | 85 | 73,0 | 113 750 335 |
| SC40C-550T* | 5,50 | 400 / 690 | 10,6 / 6,1 | 650 | 84 | 70,0 | 113 750 350 |
| SC40C-750T* | 7,50 | 400 / 690 | 14,0 / 8,1 | 650 | 86 | 73,0 | 113 750 352 |
| SC50A-750T | 7,50 | 400 / 690 | 14,0 / 8,1 | 1100 | 82 | 126,0 | 113 750 400 |
| SC50A-1100T* | 11,00 | 400 / 690 | 21,2 / 12,2 | 1100 | 84 | 128,0 | 113 750 411 |
| SC50A-1500T | 15,00 | 400 / 690 | 27,2 / 15,7 | 1100 | 87 | 155,0 | 113 750 420 |
| SC50C-750T | 7,50 | 400 / 690 | 14,0 / 8,1 | 1100 | 84 | 126,0 | 113 750 450 |
| SC50C-1100T* | 11,00 | 400 / 690 | 21,2 / 12,2 | 1100 | 86 | 128,0 | 113 750 455 |
| SC50C-1500T | 15,00 | 400 / 690 | 28,0 / 15,7 | 1100 | 88 | 155,0 | 113 750 460 |

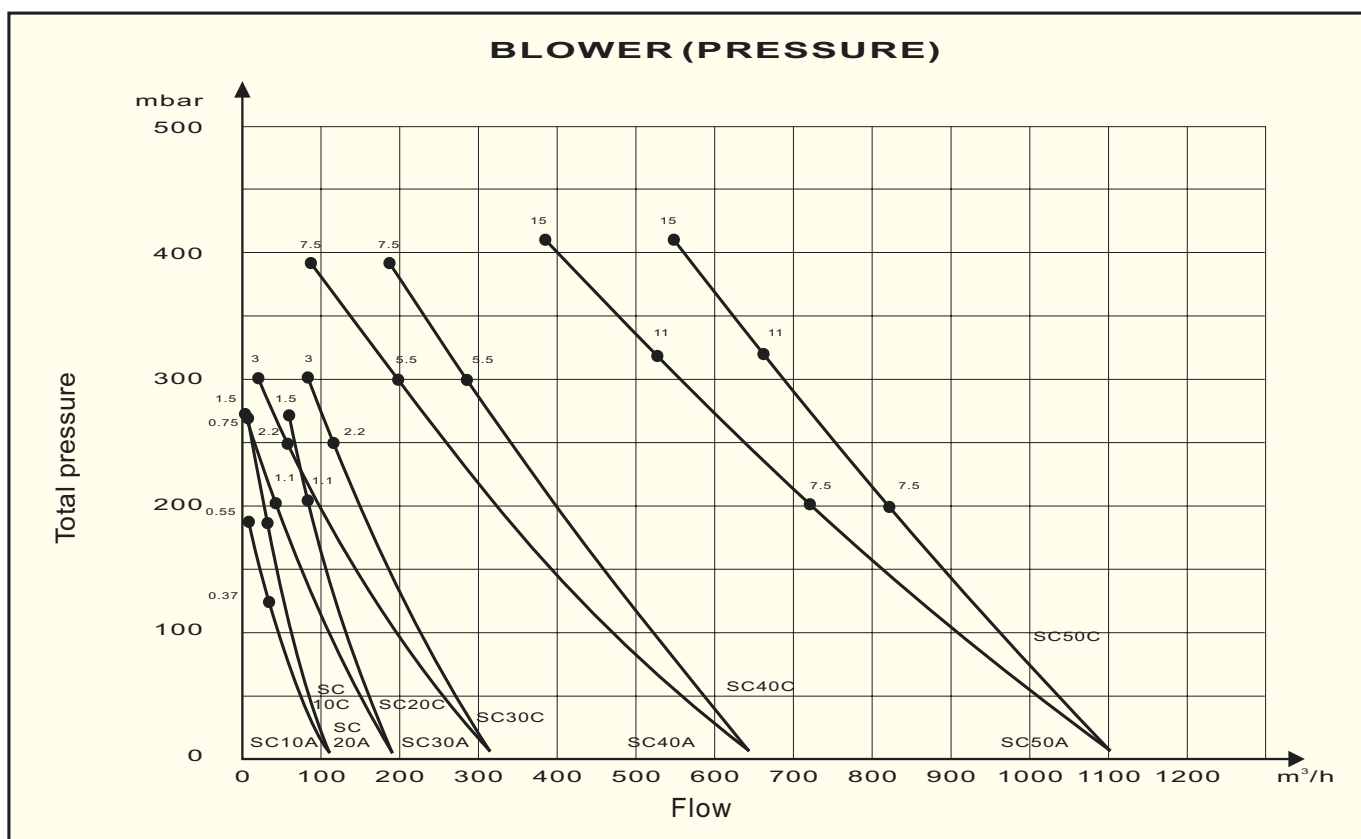
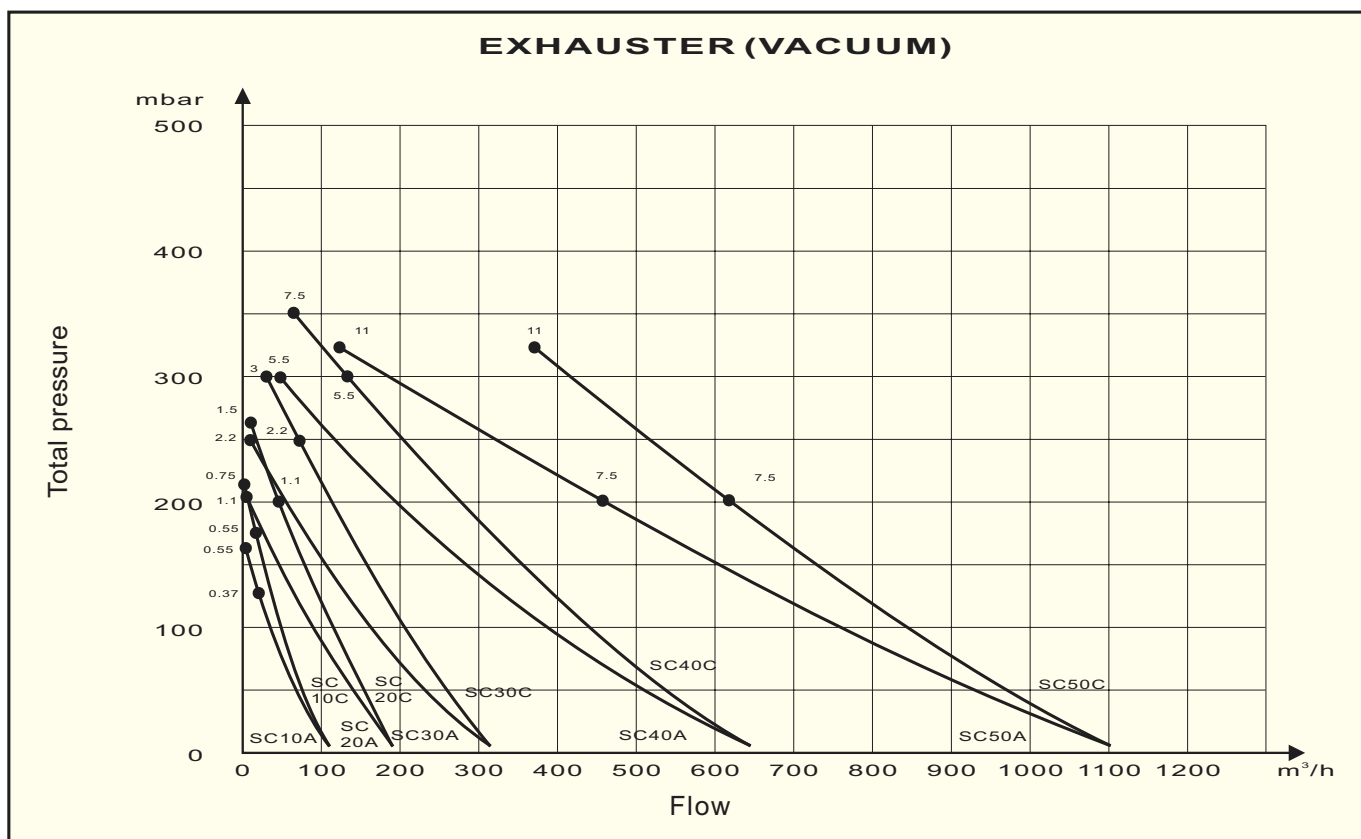
** - with silencer

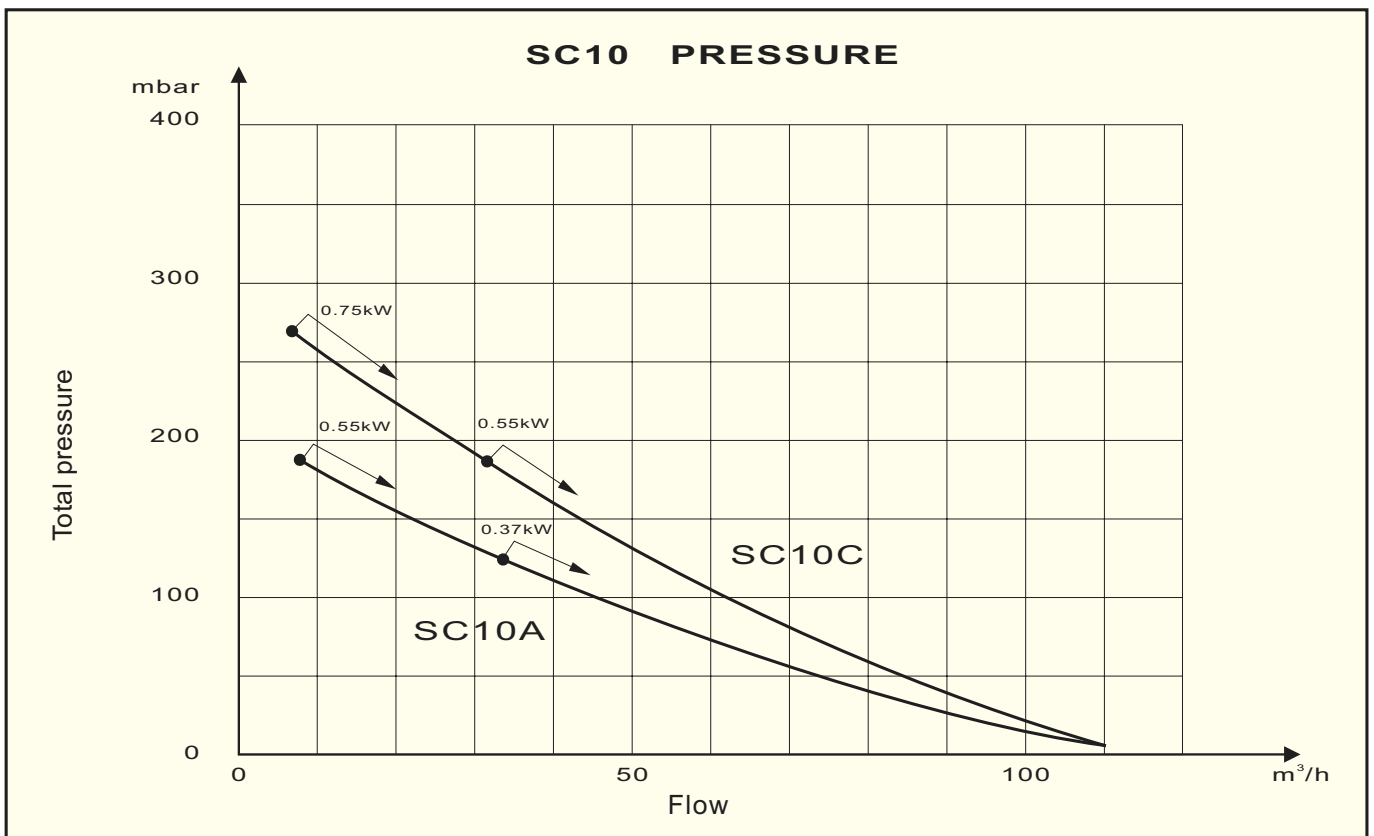
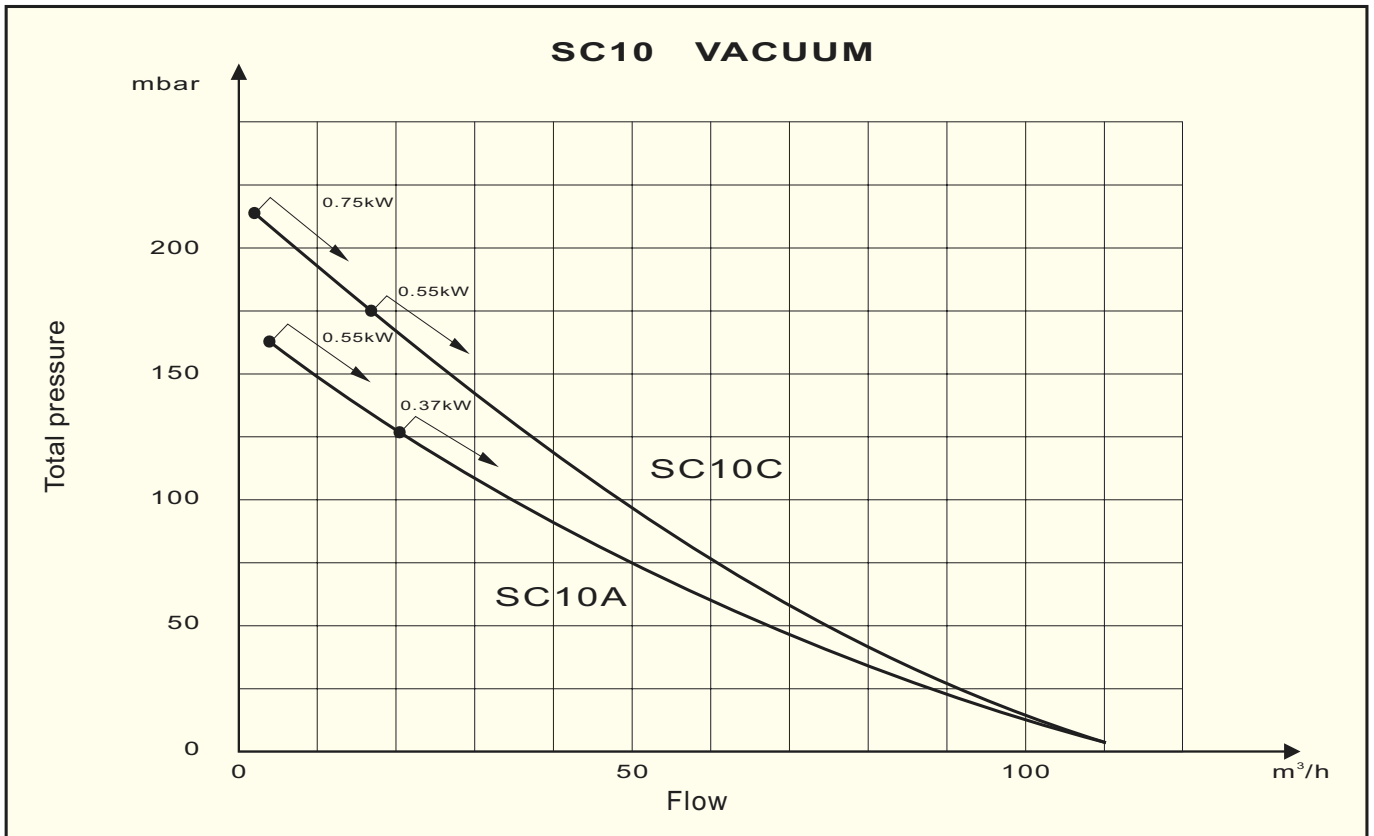
Side channel blowers single-phase

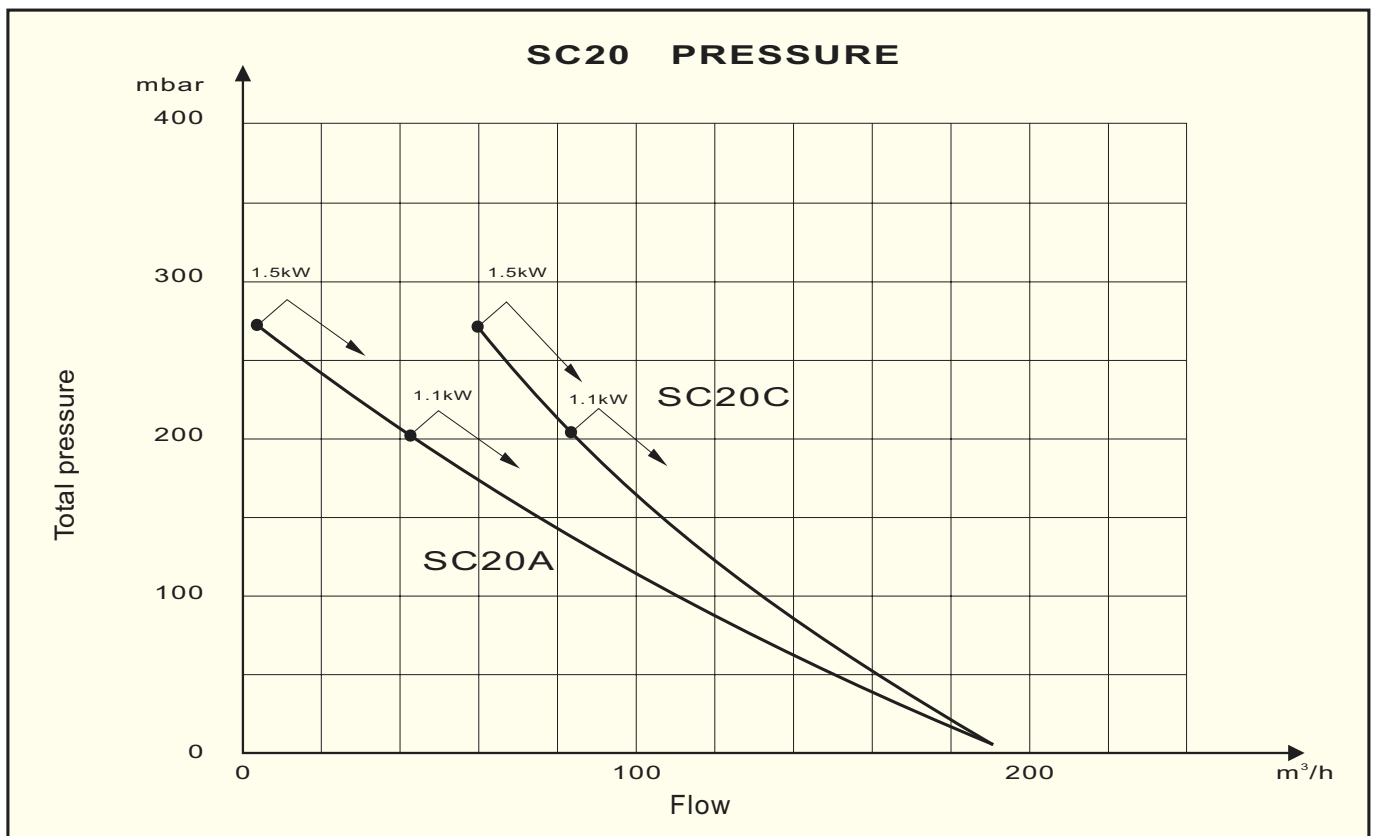
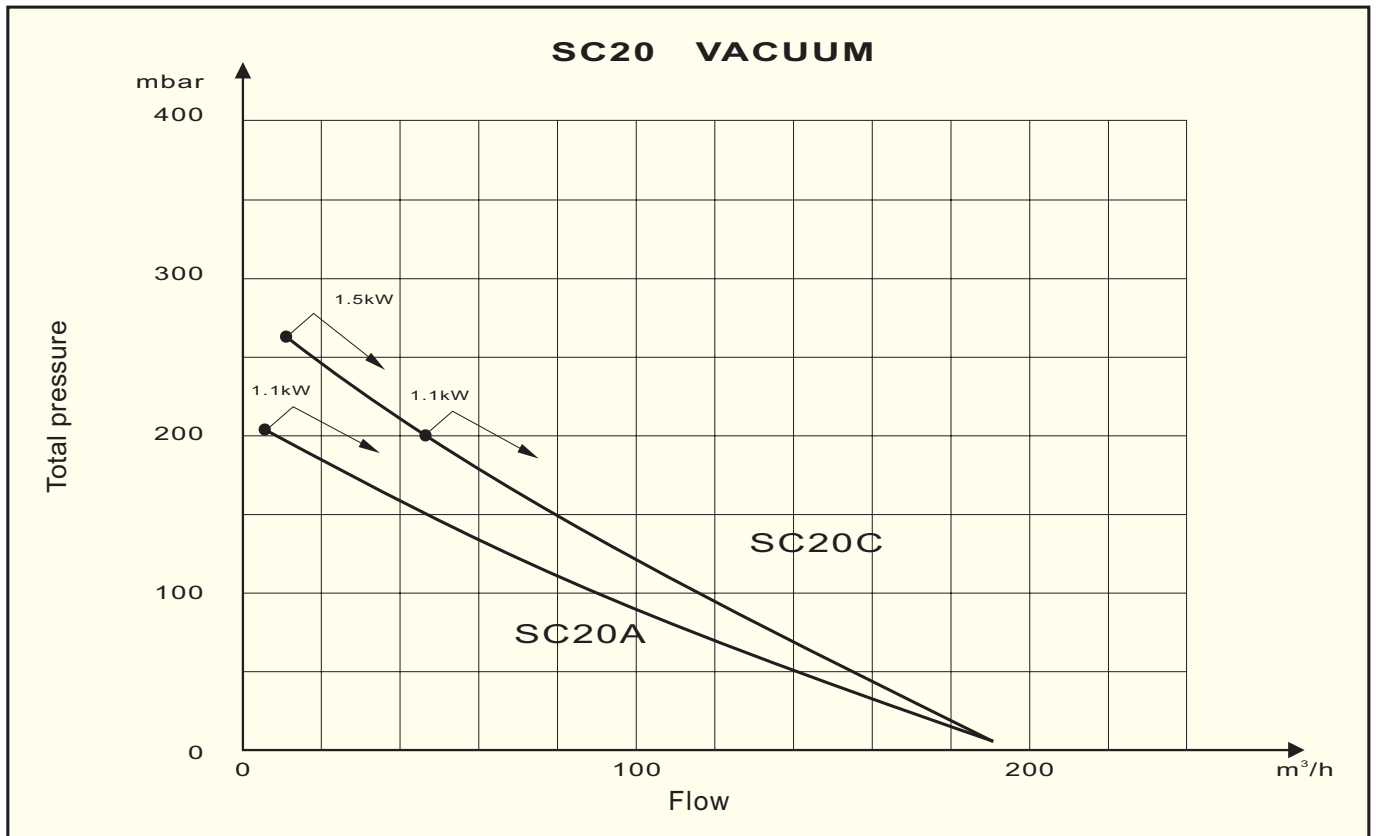
| | | | | | | | |
|-------------|------|-----|------|-----|----|------|-------------|
| SC10A-037S | 0,37 | 230 | 2,9 | 110 | 71 | 18,0 | 113 750 150 |
| SC10A-055S* | 0,55 | 230 | 4,0 | 110 | 72 | 19,0 | 113 750 155 |
| SC10C-055S | 0,55 | 230 | 4,0 | 110 | 72 | 19,0 | 113 750 160 |
| SC10C-075S | 0,75 | 230 | 5,2 | 110 | 72 | 21,5 | 113 750 165 |
| SC20A-110S* | 1,10 | 230 | 7,9 | 190 | 75 | 25,0 | 113 750 225 |
| SC20A-150S | 1,50 | 230 | 8,7 | 190 | 77 | 26,0 | 113 750 230 |
| SC20C-110S | 1,10 | 230 | 7,9 | 190 | 75 | 25,0 | 113 750 235 |
| SC20C-150S | 1,50 | 230 | 8,7 | 190 | 77 | 26,0 | 113 750 240 |
| SC30A-220S | 2,20 | 230 | 14,0 | 320 | 78 | 39,0 | 113 750 290 |

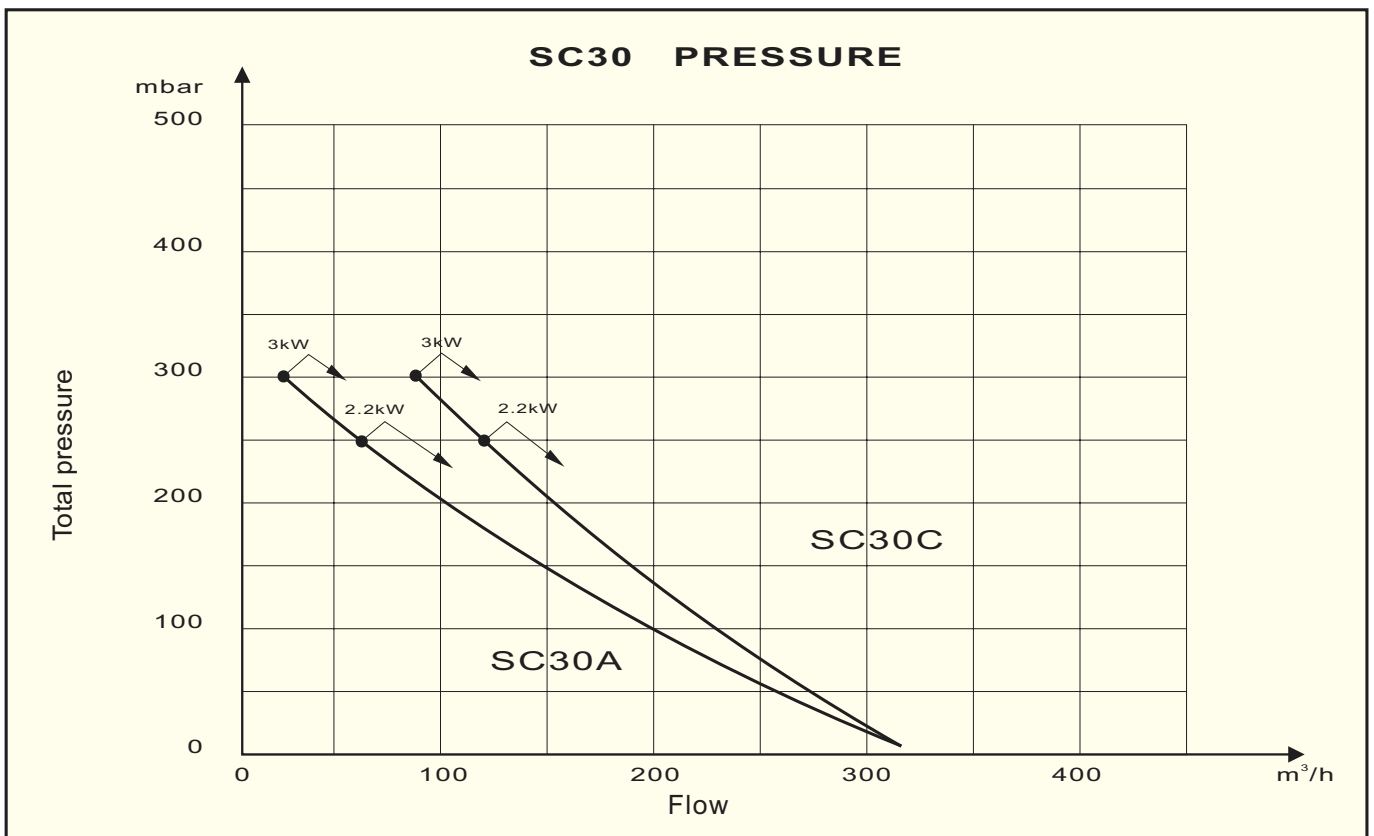
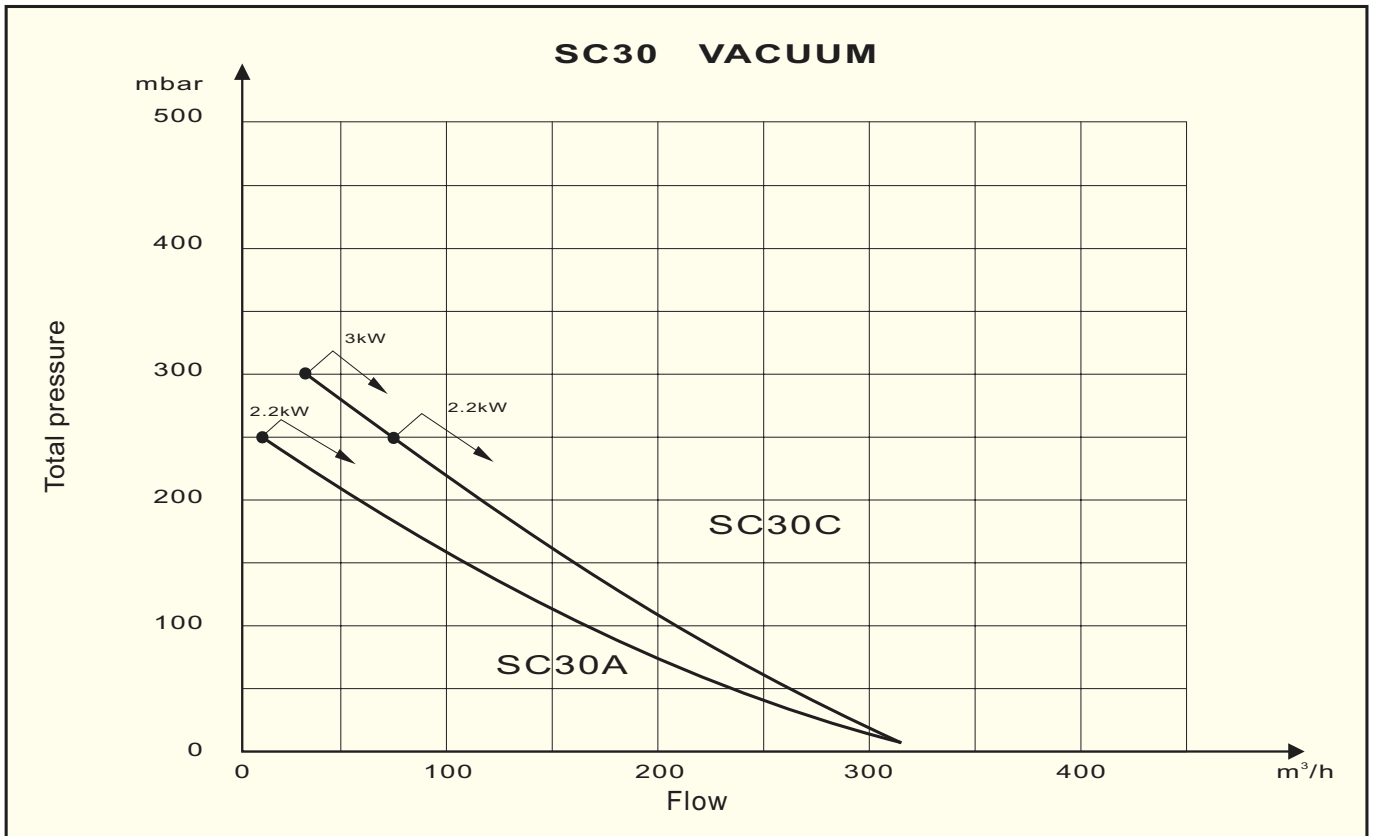
* - in stock

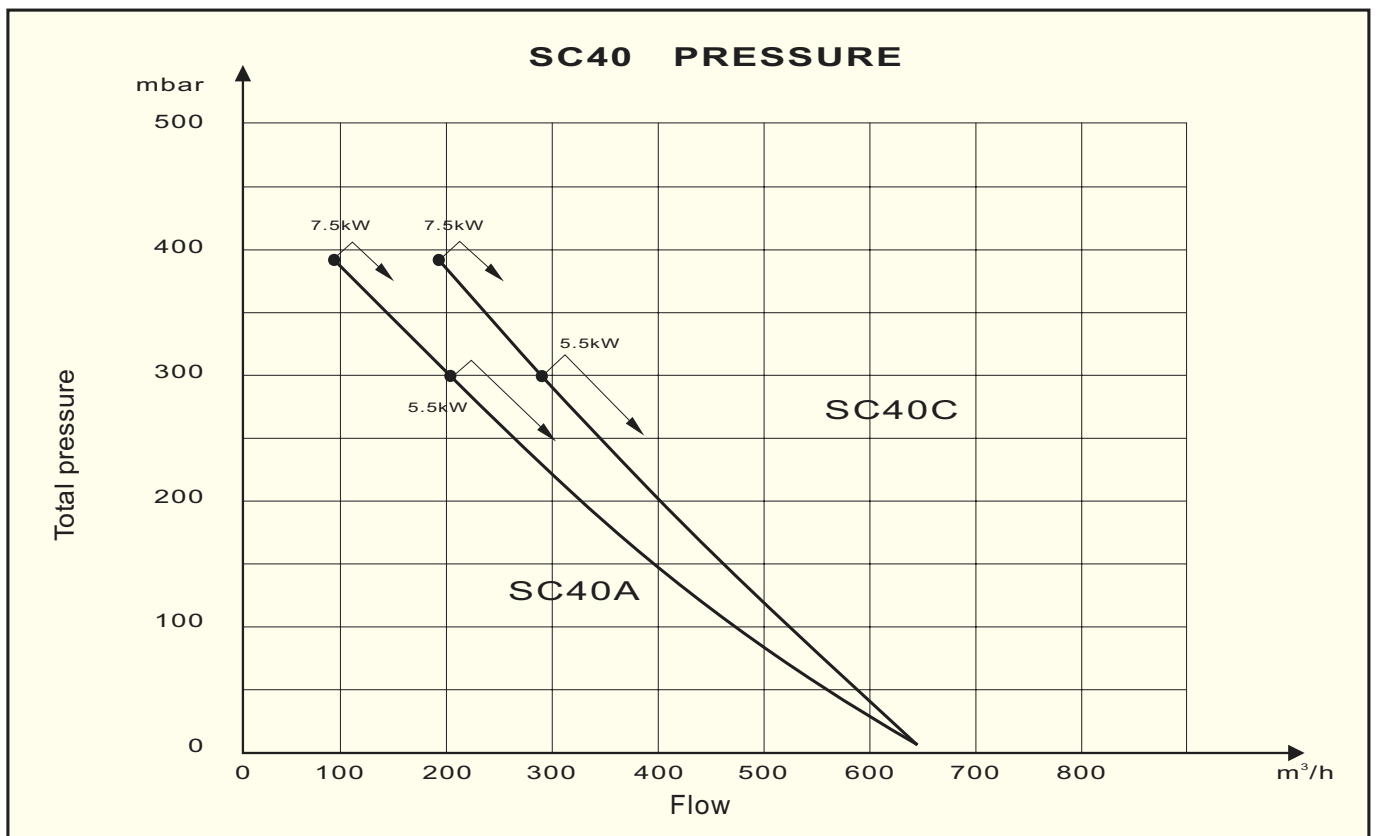
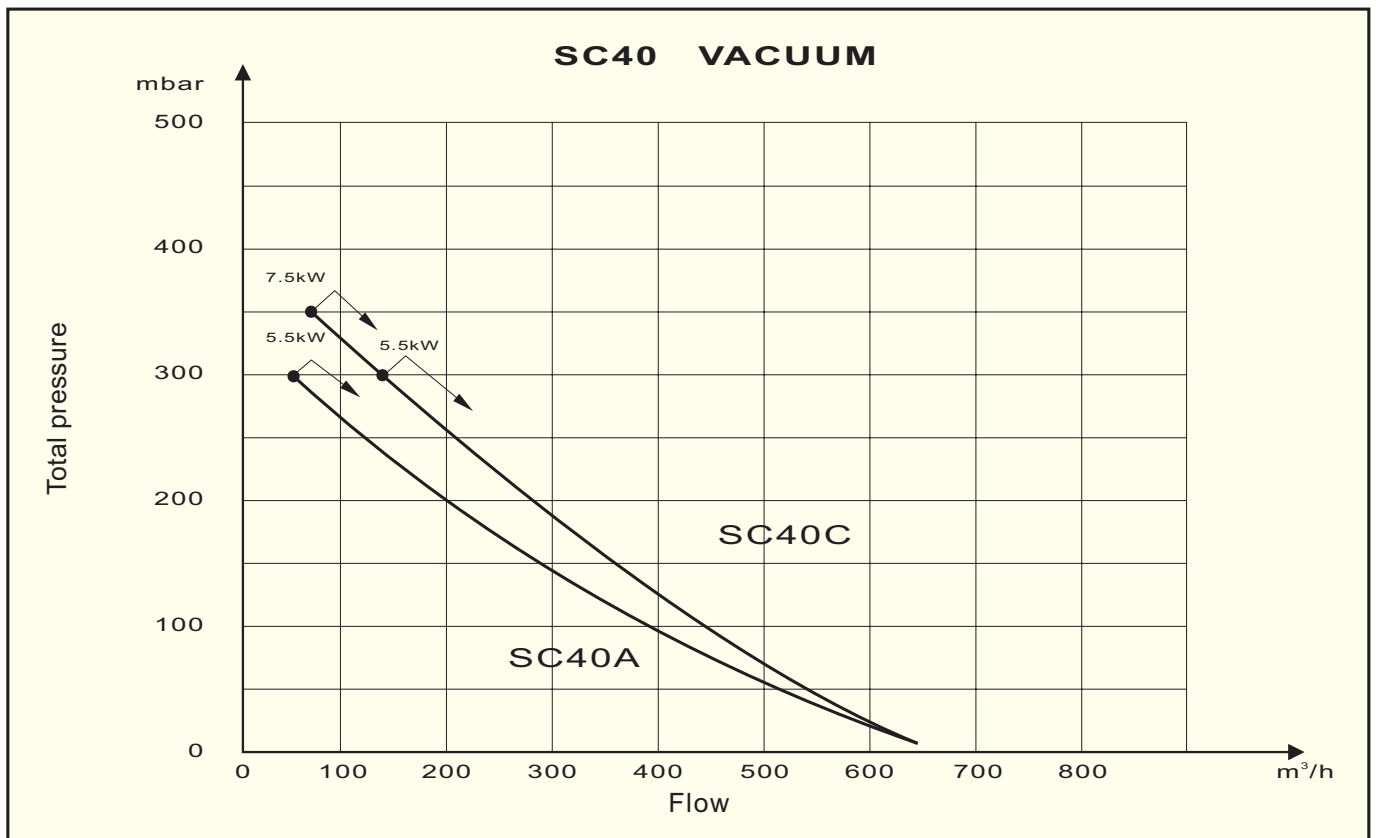
Performance curves

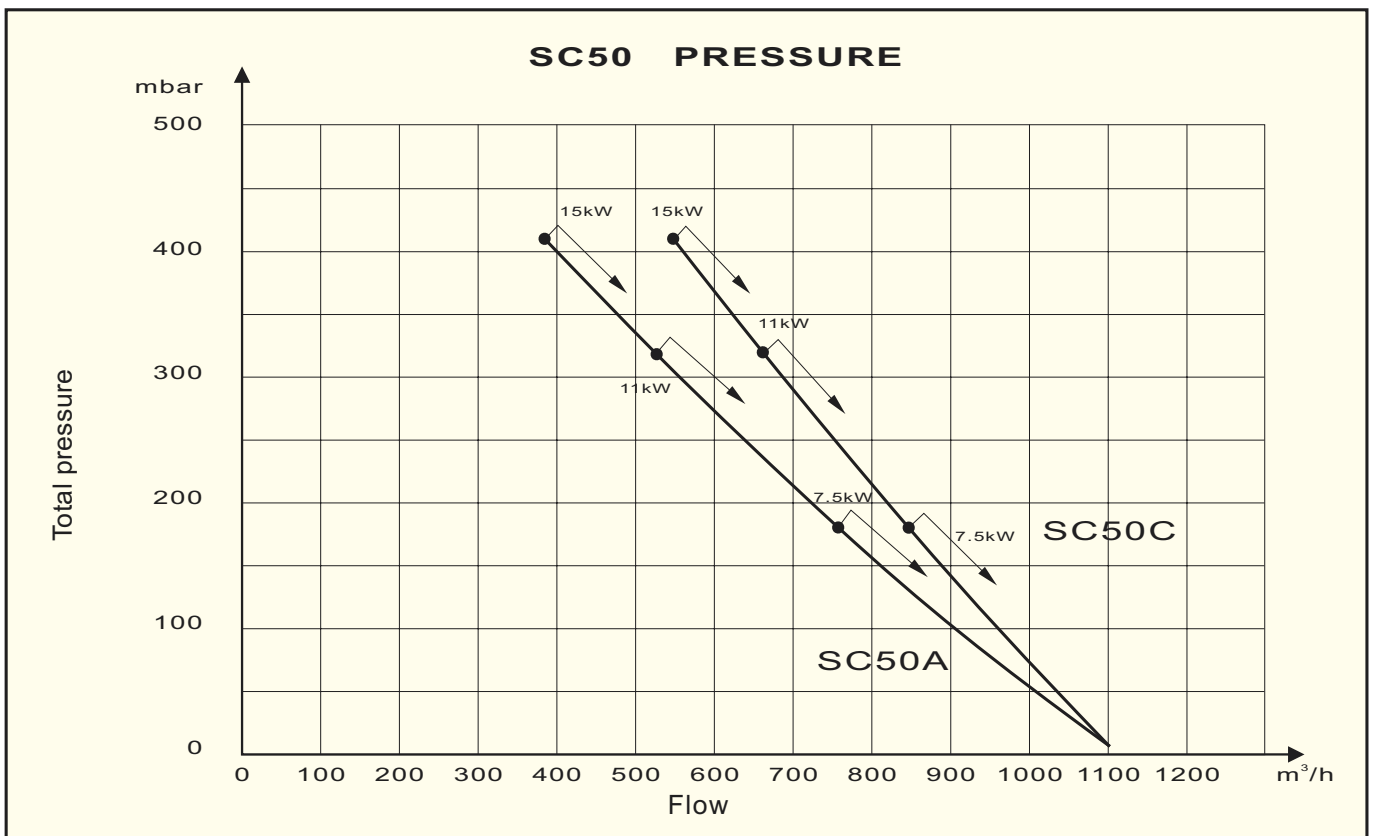
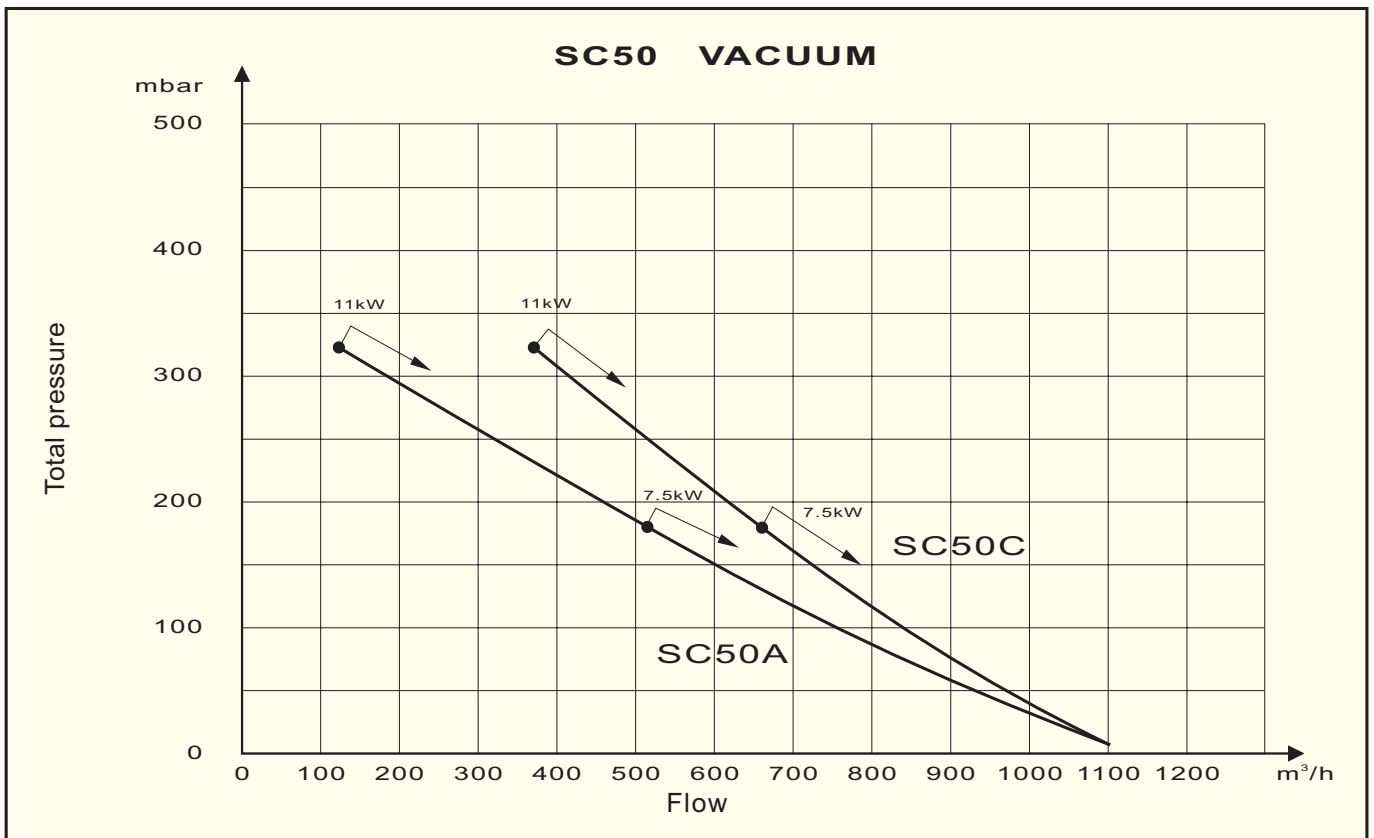


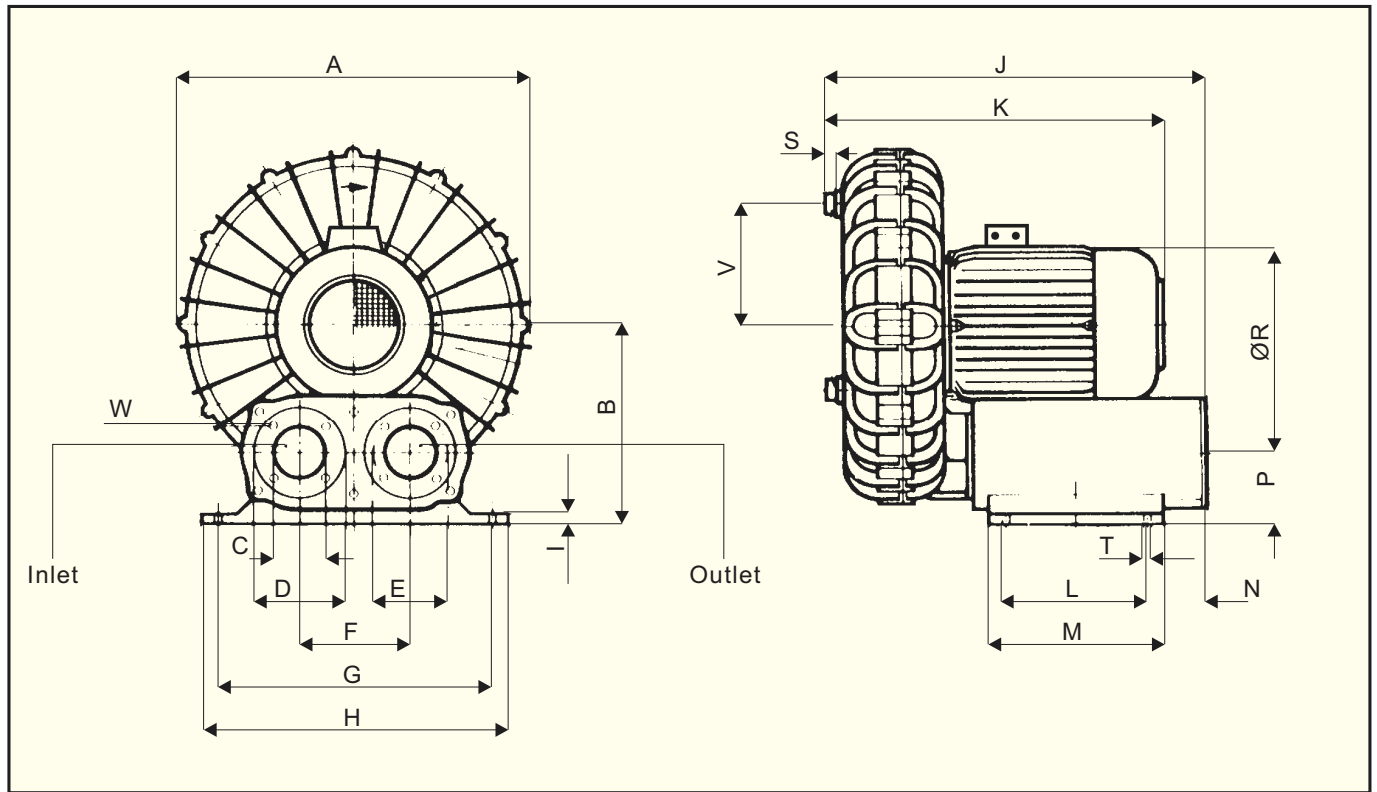












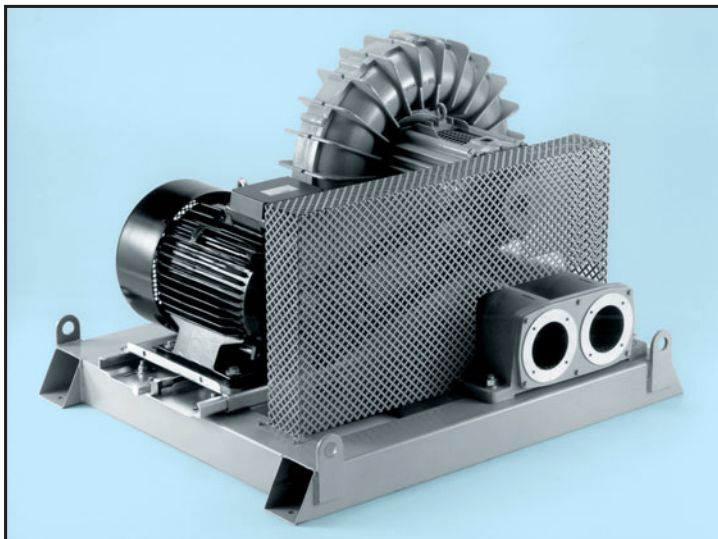
Dimensions in mm

| Type | A | B | C | D | E | F | G | H | I | J | K (max) | L | M | N | P | R | S | T | W | V |
|------|-----|-----|-----|-----|-----|-----|-----|-----|----|-----|------------|-----|-----|----|----|-----|----|----|----|-------|
| SC10 | 296 | 170 | 45 | 80 | 68 | 90 | 220 | 250 | 12 | 330 | 290 | 120 | 150 | 66 | 60 | 141 | 15 | 11 | M5 | 117,0 |
| SC20 | 360 | 200 | 45 | 80 | 68 | 90 | 220 | 250 | 12 | 360 | 348 | 120 | 150 | 66 | 60 | 157 | 15 | 11 | M5 | 129,5 |
| SC30 | 395 | 225 | 55 | 100 | 85 | 125 | 310 | 350 | 12 | 445 | 415 | 160 | 200 | 72 | 80 | 175 | 20 | 13 | M6 | 140,0 |
| SC40 | 480 | 275 | 75 | 130 | 110 | 145 | 365 | 420 | 12 | 530 | 510 | 260 | 300 | 34 | 80 | 230 | 30 | 14 | M8 | 172,0 |
| SC50 | 580 | 336 | 100 | 150 | 130 | 160 | 400 | 450 | 25 | 690 | 650 | 370 | 430 | 50 | 95 | 258 | 30 | 20 | M8 | 202,0 |

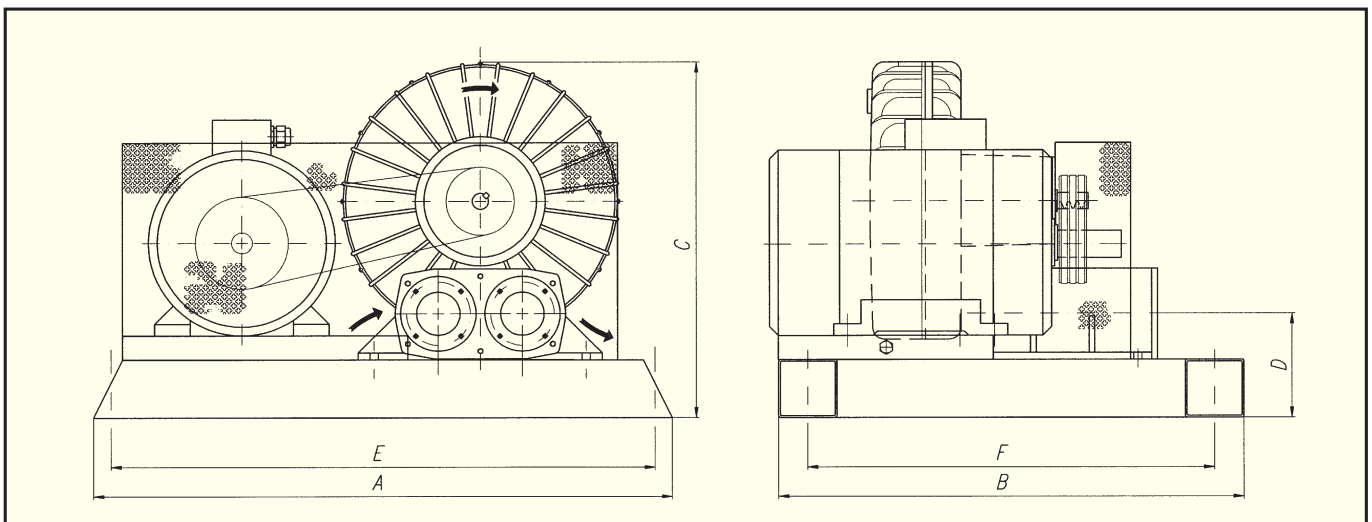
Technical specification

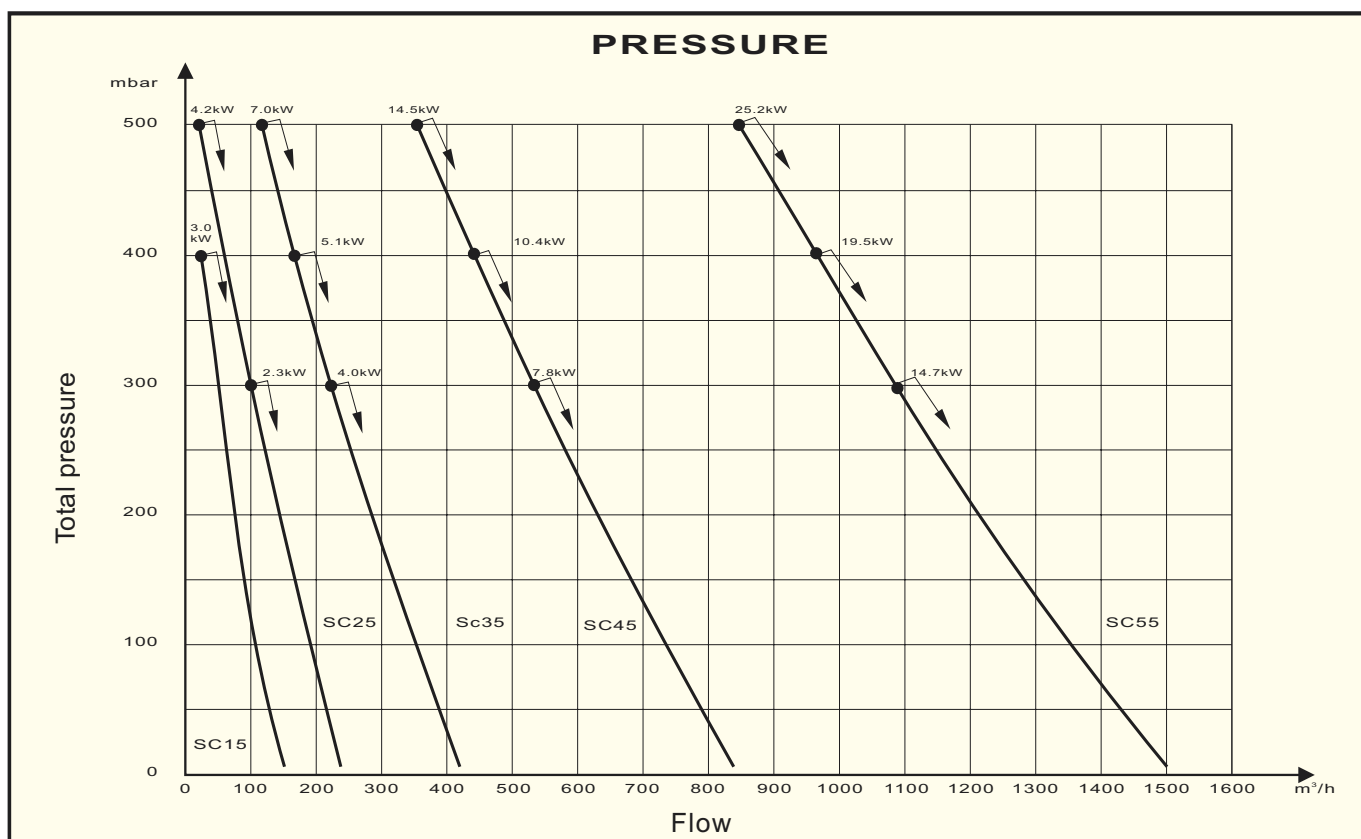
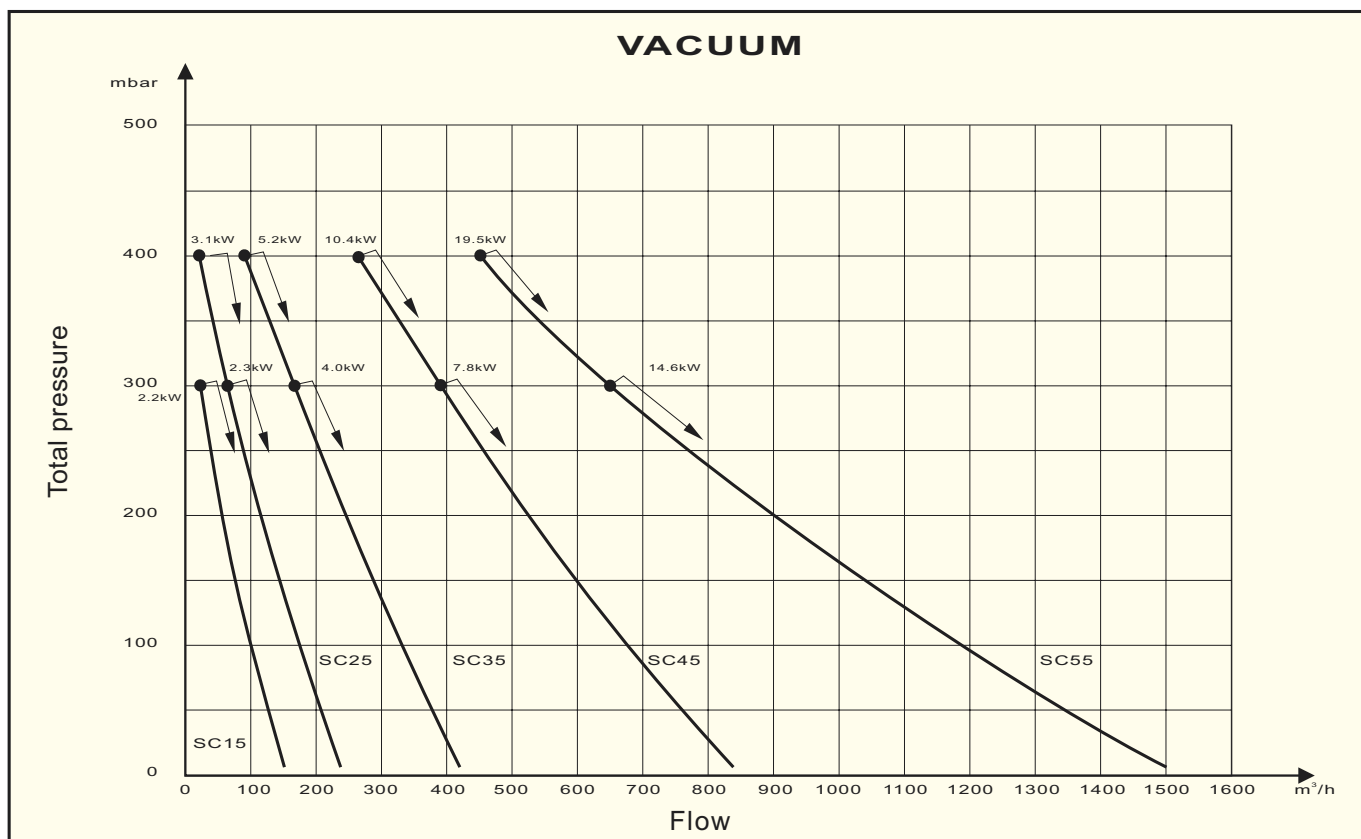
| Type | Speed | Power consumption | Vacuum | | Pressure | | Weight* | Article number |
|------|-------|-------------------|------------|----------------|------------|----------------|---------|----------------|
| | | | Flow (max) | Pressure (max) | Flow (max) | Pressure (max) | | |
| | rpm | kW | m³/h | mbar | m³/h | mbar | kg | |
| SC15 | 4100 | 3.0 | 150 | 300 | 150 | 400 | 17 | 113 755 125 |
| SC25 | 4100 | 4.2 | 250 | 400 | 250 | 500 | 21 | 113 755 185 |
| SC35 | 4100 | 7.0 | 420 | 400 | 420 | 500 | 35 | 113 755 270 |
| SC45 | 4100 | 14.5 | 850 | 400 | 850 | 500 | 64 | 113 755 330 |
| SC55 | 4100 | 25.2 | 1500 | 400 | 1500 | 500 | 85 | 113 755 410 |

* bare unit

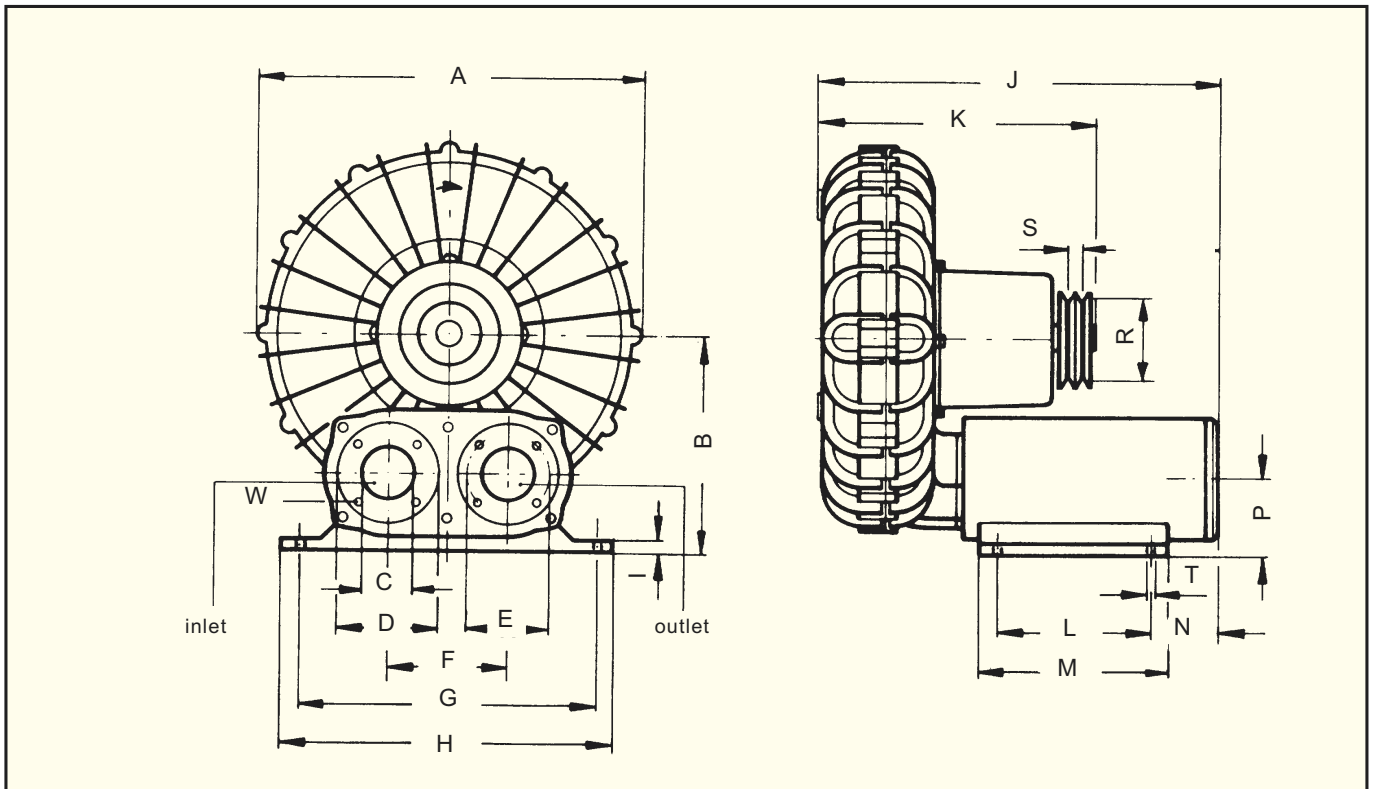


| Type | A | B | C | D | E | F |
|------|------|-----|-----|-----|-----|-----|
| SC15 | 700 | 450 | 330 | 70 | 660 | 410 |
| SC25 | 700 | 450 | 390 | 70 | 660 | 410 |
| SC35 | 760 | 530 | 483 | 140 | 700 | 490 |
| SC45 | 995 | 800 | 612 | 180 | 935 | 740 |
| SC55 | 1050 | 890 | 730 | 195 | 970 | 790 |



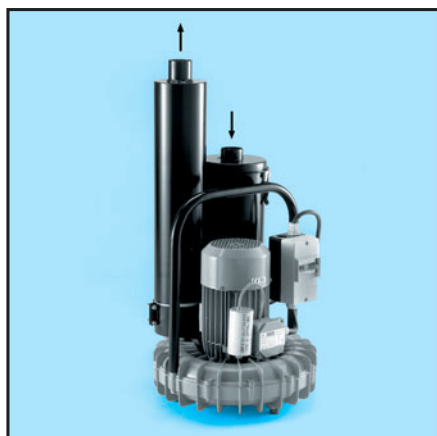


Bare unit



Dimensions in mm

| Type | A | B | C | D | E | F | G | H | I | J | K | L | M | N | P | R | S | T | W |
|------|-----|-----|-----|-----|-----|-----|-----|-----|----|-----|-----|-----|-----|----|----|-----|----|----|----|
| SC15 | 296 | 170 | 45 | 80 | 68 | 90 | 220 | 250 | 12 | 315 | 215 | 120 | 150 | 66 | 60 | 75 | 12 | 11 | M5 |
| SC25 | 360 | 200 | 45 | 80 | 68 | 90 | 220 | 250 | 12 | 345 | 260 | 120 | 150 | 66 | 60 | 100 | 12 | 11 | M5 |
| SC35 | 395 | 225 | 55 | 100 | 85 | 125 | 310 | 350 | 12 | 425 | 300 | 160 | 200 | 72 | 80 | 100 | 12 | 13 | M6 |
| SC45 | 480 | 275 | 75 | 130 | 110 | 145 | 365 | 420 | 12 | 480 | 380 | 260 | 300 | 34 | 80 | 100 | 12 | 14 | M8 |
| SC55 | 580 | 336 | 100 | 150 | 130 | 160 | 400 | 450 | 20 | 620 | 490 | 370 | 430 | 58 | 95 | 112 | 12 | 20 | M8 |



Construction

5 sizes, complete with lift handle, silencer, connectors, overload protection and 10m cable (single-phase with plug, three-phase with phase reversible Euro plug).

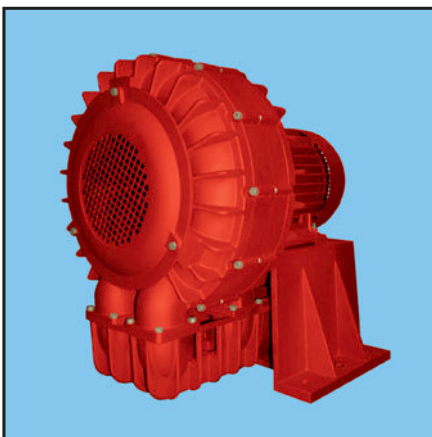
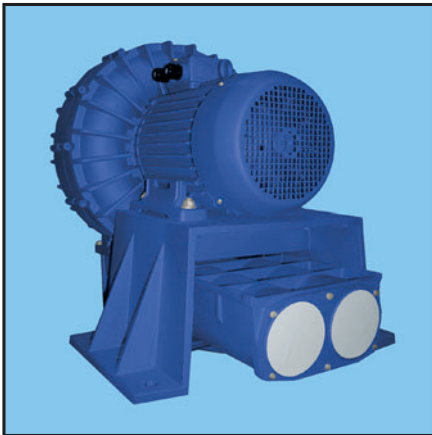
Special sizes can be supplied on request.

Application:

This unit can also be used for suction of water or insulation or other portable applications.

Technical specification

| Type | Connection | Flow at 125 mbar pressure | Motor power | Voltage | Maximum current | Weight | Article number |
|-------------|------------|---------------------------|-------------|---------|-----------------|--------|----------------|
| | Ø mm | m ³ /h | kW | V | A | kg | |
| SCX10C-055S | 51 (2,0") | 55 | 0,55 | 230 | 4,0 | 24 | 113 750 161 |
| SCX20A-110S | 51 (2,0") | 90 | 1,1 | 230 | 7,9 | 31 | 113 750 236 |
| SCX20C-150S | 51 (2,0") | 120 | 1,5 | 230 | 8,7 | 33 | 113 750 241 |
| SCX30A-220T | 63 (2,5") | 170 | 2,2 | 230/400 | 8,0/4,6 | 44 | 113 750 271 |
| SCX30C-300T | 63 (2,5") | 210 | 3,0 | 230/400 | 11,3/6,5 | 48 | 113 750 286 |



Construction

Direct driven two step side channel blowers designed for oil free conveying of non explosive and non aggressive medium. These blowers are suitable for either pressure or vacuum systems. All blower parts are of cast aluminium, highly resistant to corrosion. Silencer on the discharge- and intake side is standard. Blowers with customer adjusted capacity can be supplied on request.

Motor

380-420/660-690V, 50Hz three-phase asynchronous motor. Insulation class F, enclosure IP55. Special voltage or frequency, improved enclosure IP65, 2-speed motors and explosion proof motors can be supplied on request.

Wiring diagram, see page 235.

The performance curves hold with a tolerance of ±10% for pressure and ±10% for air flow and at an inlet temperature of +15°C, at an atmospheric pressure of 1013 mbar and at an ambient temperature of 25°C. We reserve the right for construction- and capacity changes without prior notice. We take no responsibility what so ever for any printing errors in the catalogue.

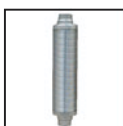
Unbroken curves hold at continuous running and with an ambient temperature of max. +40°C.



Data

| Type | MOTOR | | | Maximum duty m³/h | Sound pressure level dB (A) | Weight kg | Article number |
|------------------|-------------------|--------------|----------------------|----------------------|--------------------------------|--------------|----------------|
| | Motor power kW | Voltage V | Maximum current A | | | | |
| Parallel running | | | | | | | |
| PSC30C550T | 5,50 | 400 Δ | 10,50 Δ | 600 | 82 | 110 | 213 700 300 |
| PSC30C750T | 7,50 | 400 Δ | 14,00 Δ | 600 | 84 | 110 | 213 700 310 |
| PSC40A750T | 7,50 | 400 Δ | 14,00 Δ | 1270 | 84 | 126 | 113 700 390 |
| PSC40A1100T | 11,00 | 400 Δ | 21,20 Δ | 1270 | 86 | 128 | 113 700 400 |
| PSC40A1500T | 15,00 | 400 Δ | 27,20 Δ | 1270 | 88 | 155 | 113 700 410 |
| Serial running | | | | | | | |
| DSC30C550T | 5,50 | 400 Δ | 10,50 Δ | 300 | 82 | 110 | 213 800 300 |
| DSC30C750T | 7,50 | 400 Δ | 14,00 Δ | 300 | 84 | 110 | 213 800 310 |
| DSC40A750T | 7,50 | 400 Δ | 14,00 Δ | 700 | 84 | 126 | 113 800 390 |
| DSC40A1100T | 11,00 | 400 Δ | 21,20 Δ | 700 | 86 | 128 | 113 800 400 |
| DSC40A1500T | 15,00 | 400 Δ | 27,20 Δ | 700 | 88 | 155 | 113 800 410 |

Accessories



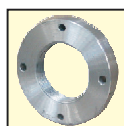
Silencer with connector



Connector



Welded flange

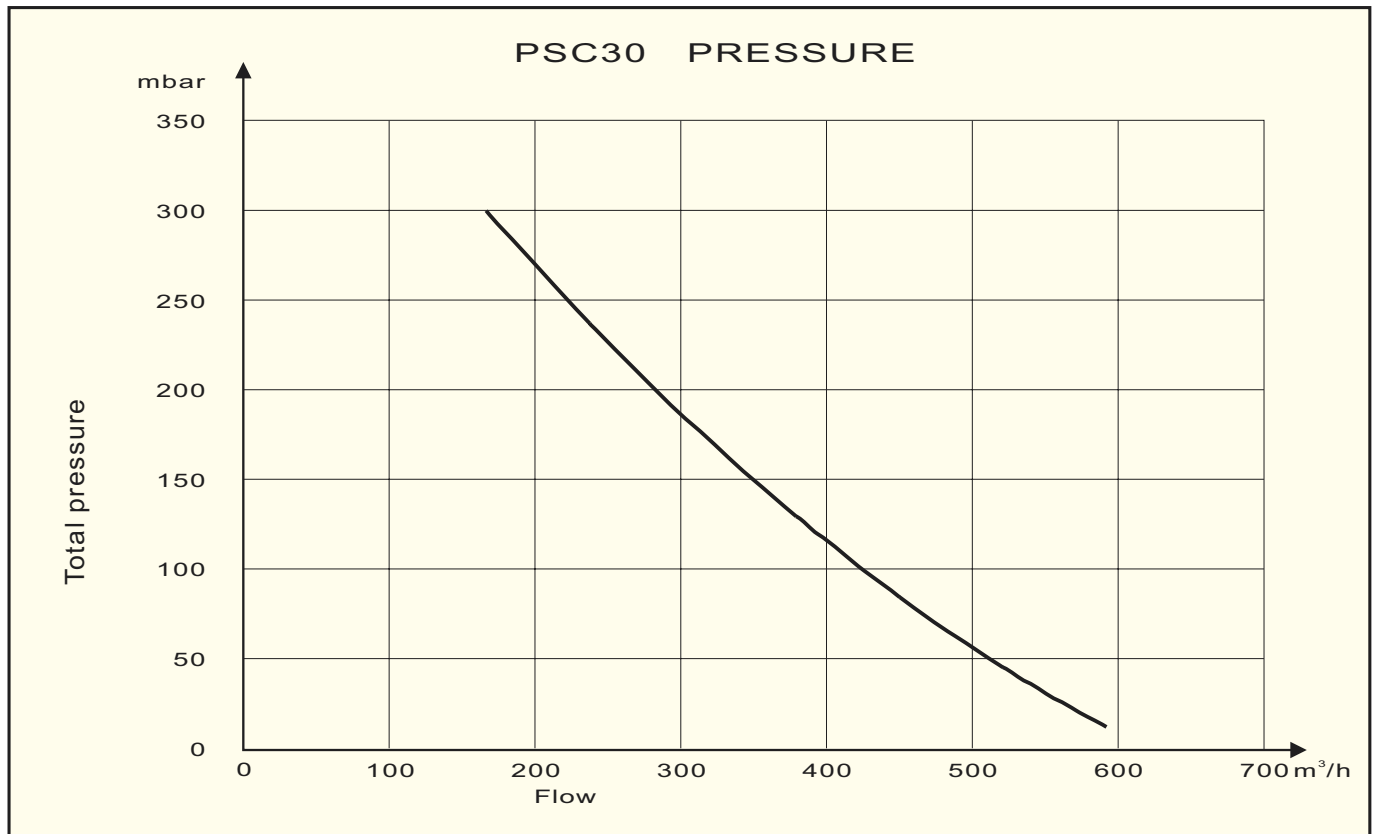
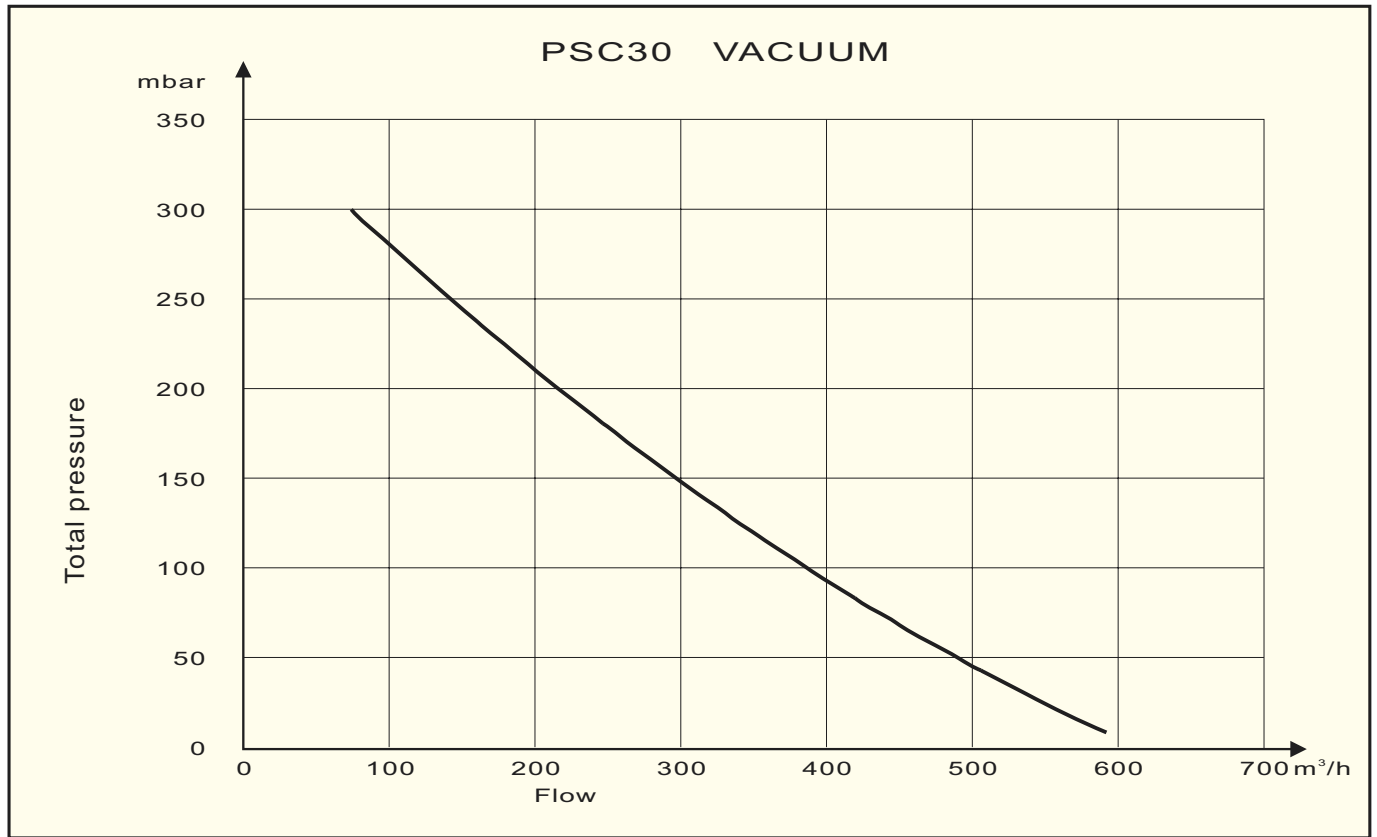


Threaded flange

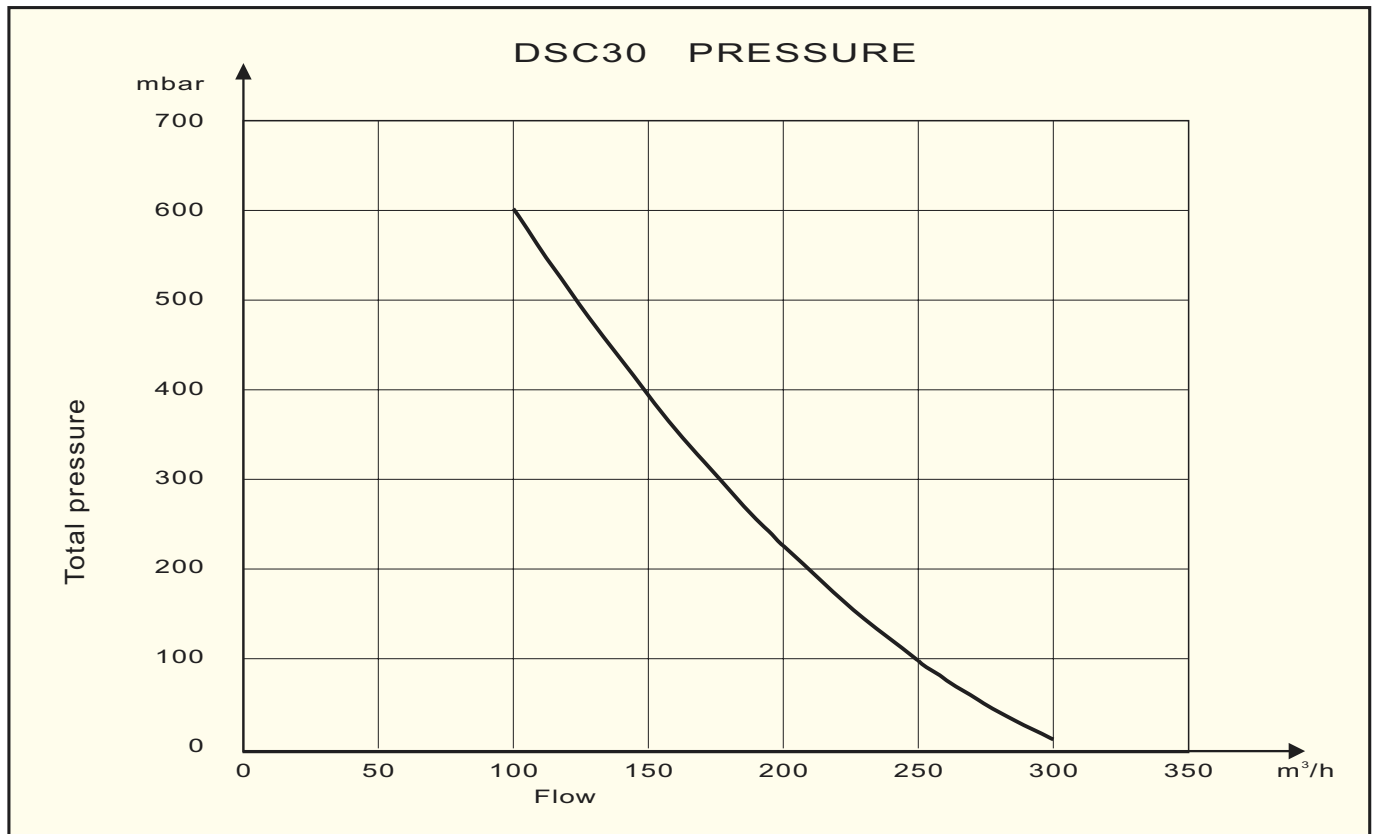
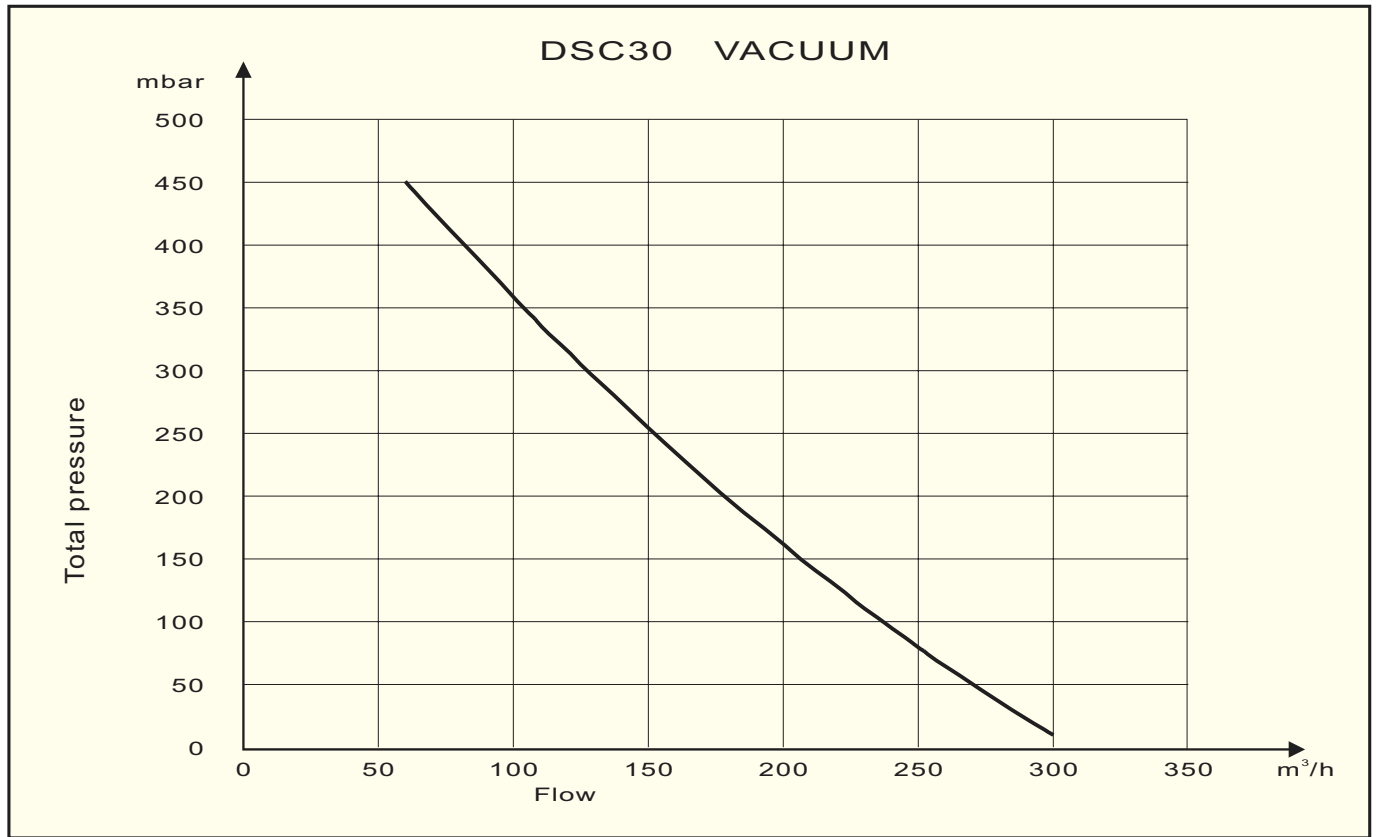


Filter

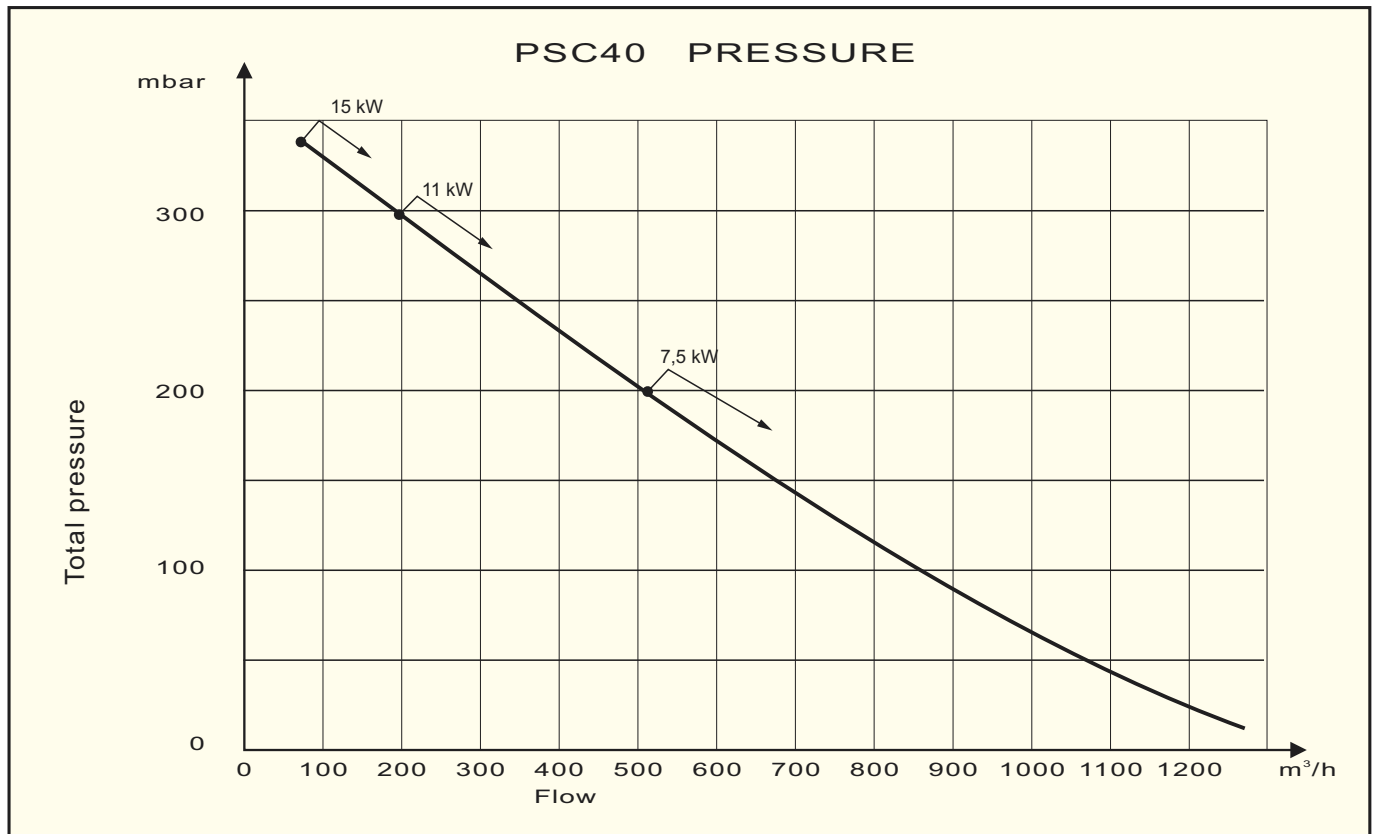
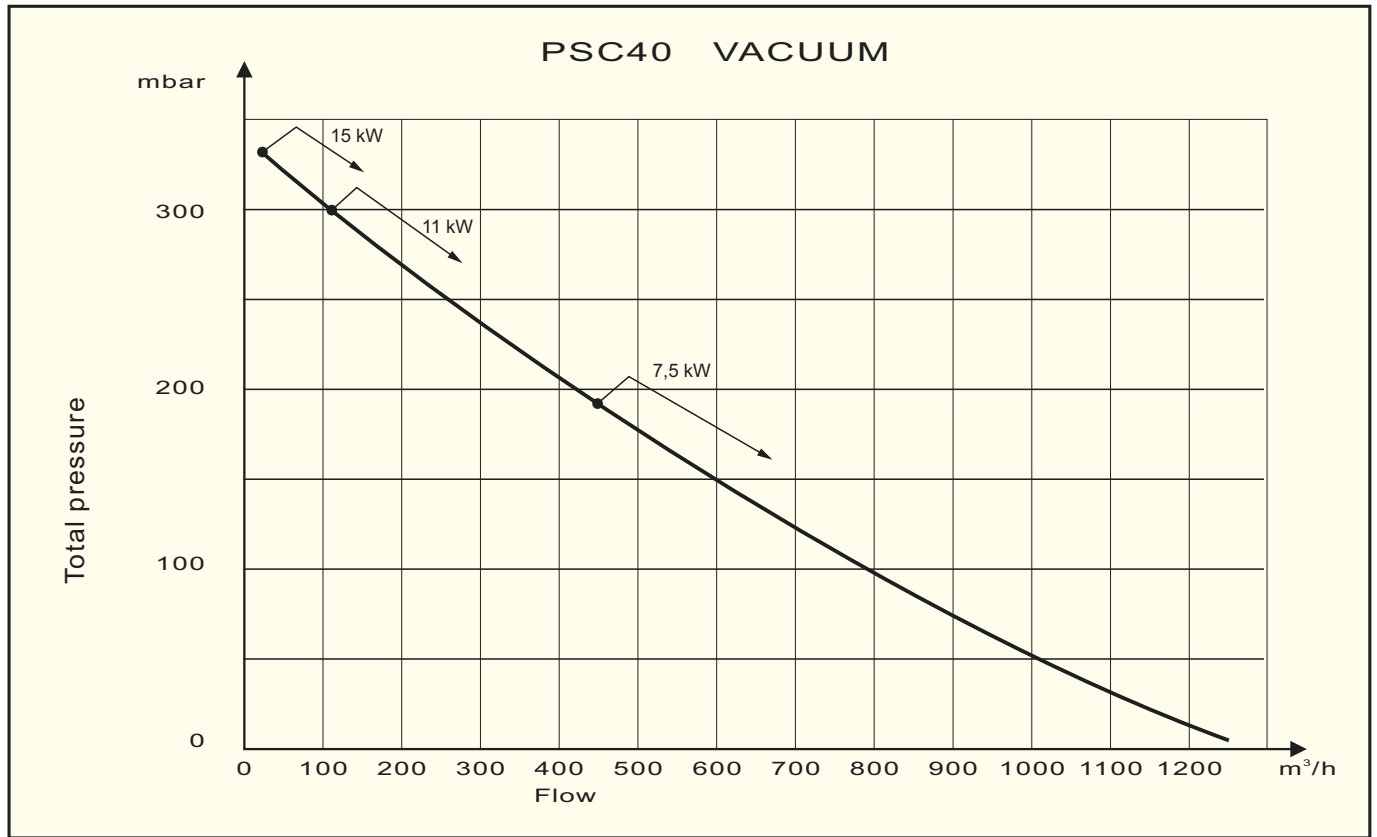
Performance curves PSC



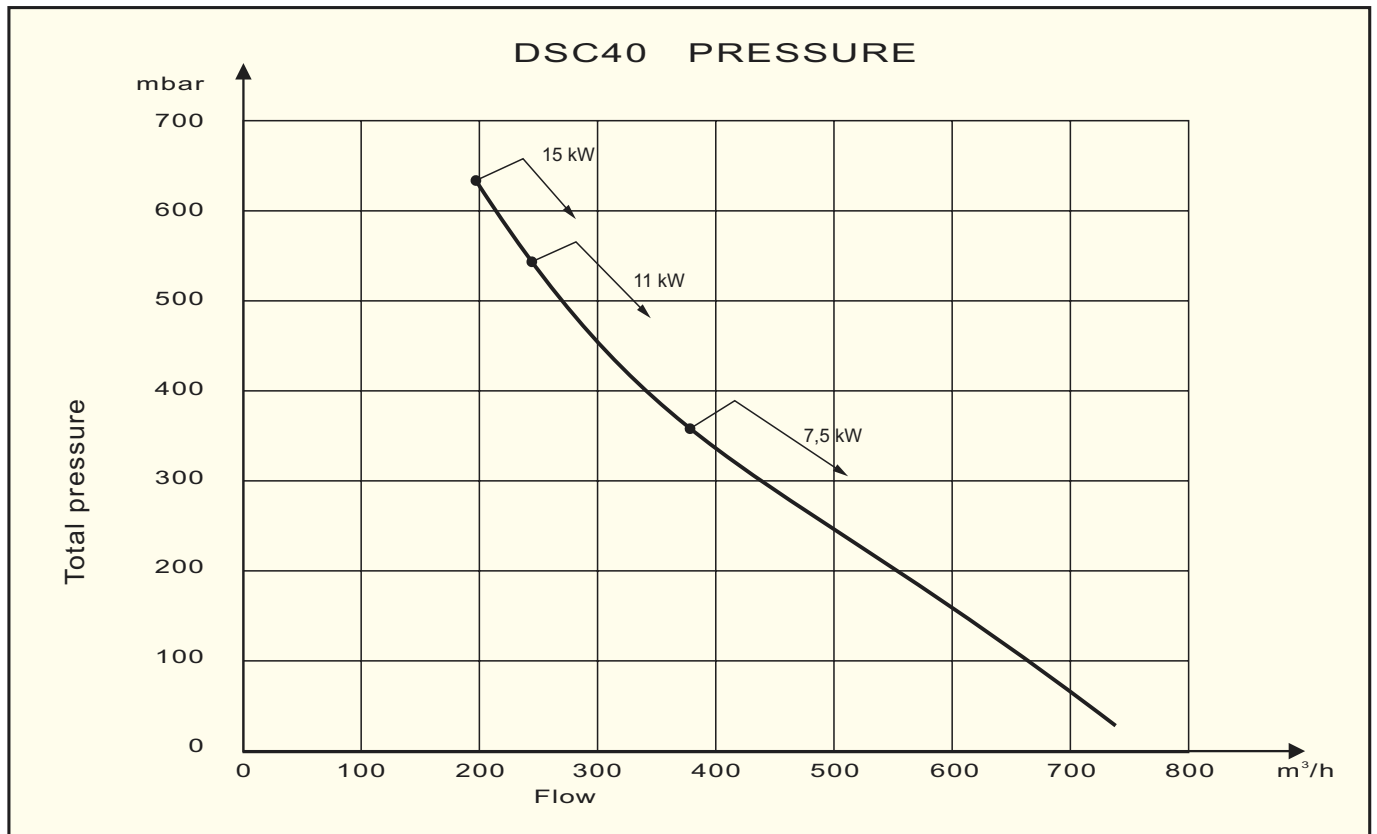
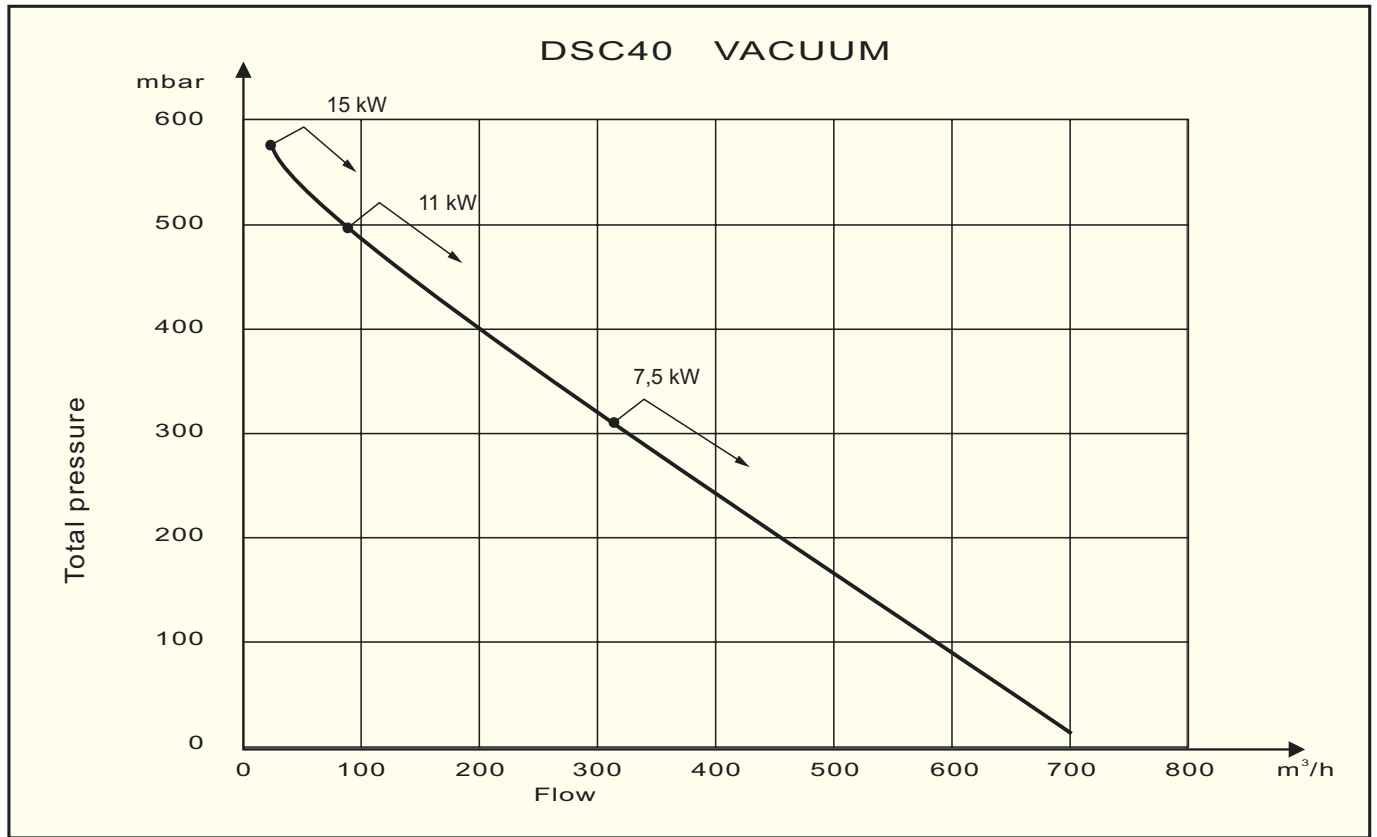
Performance curves DSC

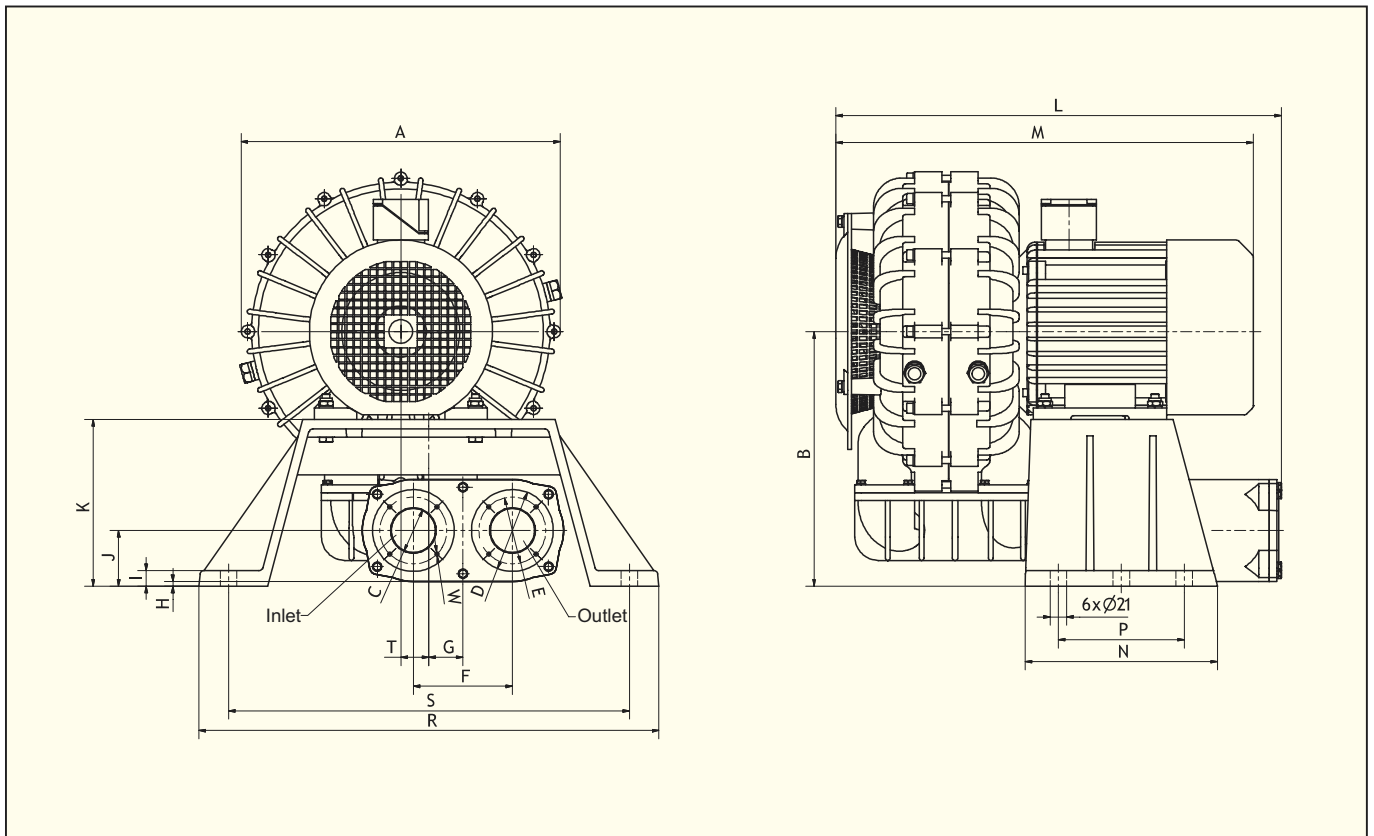


Performance curves PSC



Performance curves DSC

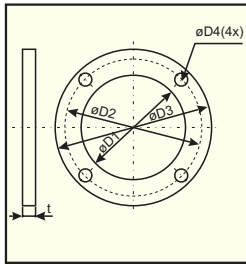




Dimensions in mm

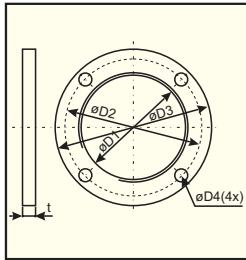
| Type | A | B | C | D | E | F | G | H | I | J | K | L | M | N | P | R | S | T | W |
|--------|------|-----|-----|------|------|-----|------|-----|----|------|-----|-----|-----|-----|-----|-----|-----|------|----|
| DSC-30 | Ø406 | 324 | Ø58 | Ø104 | Ø85 | 126 | 43,5 | 6,2 | 20 | 71 | 212 | 567 | 531 | 245 | 160 | 585 | 510 | 79 | M6 |
| PSC-30 | Ø406 | 324 | Ø58 | Ø104 | Ø85 | 126 | 0 | 6,2 | 20 | 71 | 212 | 567 | 531 | 245 | 160 | 585 | 510 | 0 | M6 |
| DSC-40 | Ø502 | 407 | Ø75 | Ø130 | Ø110 | 145 | 32,5 | 1,5 | 20 | 76,5 | 275 | 653 | 584 | 340 | 260 | 600 | 520 | 74,5 | M8 |
| PSC-40 | Ø502 | 407 | Ø75 | Ø130 | Ø110 | 145 | 32,5 | 1,5 | 20 | 76,5 | 275 | 653 | 584 | 340 | 260 | 600 | 520 | 0 | M8 |

Welding flange



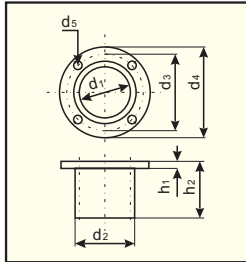
| Type | D1 | D2 | D3 | D4 | t | Article number |
|------------|-----|-----|-----|-----|----|----------------|
| SC10 | 45 | 68 | 80 | 5.5 | 10 | 113 762 185 |
| SC20 | 45 | 68 | 80 | 5.5 | 10 | 113 762 185 |
| SC30 | 58 | 85 | 104 | 6.5 | 10 | 113 762 270 |
| SC40/DSC40 | 75 | 110 | 130 | 9.0 | 10 | 113 762 330 |
| SC50 | 100 | 130 | 150 | 9.0 | 10 | 113 762 411 |

Threaded flange



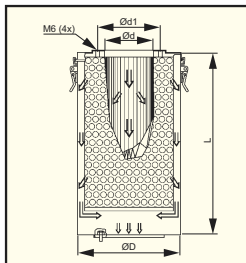
| Type | D1 | D2 | D3 | D4 | t | Article number |
|------------|-----------|-----|-----|-----|----|----------------|
| SC10 | R1½" x 15 | 68 | 80 | 5.5 | 15 | 113 763 185 |
| SC20 | R1½" x 15 | 68 | 80 | 5.5 | 15 | 113 763 185 |
| SC30 | R2" x 15 | 85 | 104 | 6.5 | 15 | 113 763 270 |
| SC40/DSC40 | R2½" x 20 | 110 | 130 | 9.0 | 20 | 113 763 330 |
| SC50 | R3½" x 20 | 130 | 150 | 9.0 | 20 | 113 763 411 |

Connector



| Type | d1 | d2 | d3 | d4 | d5 | h1 | h2 | Article number |
|------------|----|-----|-----|-----|-----|----|----|----------------|
| SC10 | 46 | 51 | 68 | 80 | 6.0 | 6 | 60 | 113 761 185 |
| SC20 | 46 | 51 | 68 | 80 | 6.0 | 6 | 60 | 113 761 185 |
| SC30 | 57 | 63 | 85 | 100 | 7.0 | 8 | 60 | 113 761 270 |
| SC40/DSC40 | 70 | 76 | 110 | 130 | 9.0 | 10 | 60 | 113 761 330 |
| SC50 | 96 | 102 | 130 | 145 | 9.0 | 12 | 60 | 113 761 411 |

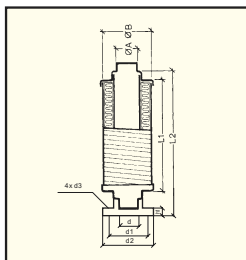
Filter



| Blower type | Filter type | Article number | Cartridge type | Article number | ØD | ød | L | Ød1 |
|-------------|-------------|----------------|----------------|----------------|-----|-----|-----|-----|
| SC10, SC20 | G20 | 113 770 125 | PG 20 | 113 771 125 | 156 | 51 | 374 | 68 |
| | F20 | 113 770 126 | PF 20 | 113 771 126 | 156 | 51 | 374 | 68 |
| SC30 | G30 | 113 770 270 | PG 30 | 113 771 125 | 156 | 63 | 374 | 68 |
| | F30 | 113 770 271 | PF 30 | 113 771 126 | 156 | 63 | 374 | 68 |
| SC40 | G40 | 113 770 330 | PG 40 | 113 771 330 | 219 | 76 | 394 | 110 |
| | F40 | 113 770 331 | PF 40 | 113 771 331 | 219 | 76 | 394 | 110 |
| SC50 | G50 | 113 770 411 | PG 50 | 113 771 330 | 219 | 101 | 394 | 130 |
| | F50 | 113 770 412 | PF 50 | 113 771 331 | 219 | 101 | 394 | 130 |

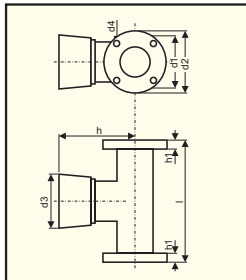
G - standard filter, F - fine filter DOP 99,97%

Silencer with connector



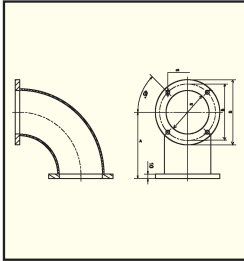
| Type | A | B | d | d1 | d2 | d3 | h1 | l1 | l2 | Article number |
|------------|-----|-----|----|-----|-----|-----|----|-----|-----|----------------|
| SC10 | 50 | 105 | 45 | 68 | 80 | 6.0 | 6 | 455 | 610 | 113 767 185 |
| SC20 | 50 | 105 | 45 | 68 | 80 | 6.0 | 6 | 455 | 610 | 113 767 185 |
| SC30 | 70 | 125 | 60 | 85 | 100 | 7.0 | 8 | 455 | 620 | 113 767 270 |
| SC40/DSC40 | 80 | 125 | 75 | 110 | 130 | 9.0 | 10 | 455 | 630 | 113 767 330 |
| SC50 | 100 | 150 | 95 | 130 | 145 | 9.0 | 12 | 455 | 640 | 113 767 411 |

Pressure and vacuum relief valve



| Type | l | d | d1 | d2 | d3 | d4 | h | h1 | Vacuum Article number | Pressure Article number |
|------------|-----|-----|-----|-----|-----|----|-----|----|-----------------------|-------------------------|
| SC10 | 180 | 45 | 68 | 80 | 125 | 6 | 150 | 8 | 113 768 401 | 113 768 451 |
| SC20 | 180 | 45 | 68 | 80 | 125 | 6 | 150 | 8 | 113 768 403 | 113 768 453 |
| SC30 | 180 | 55 | 85 | 100 | 125 | 7 | 150 | 8 | 113 768 406 | 113 768 456 |
| SC40/DSC40 | 206 | 75 | 110 | 130 | 180 | 9 | 210 | 8 | 113 768 411 | 113 768 461 |
| SC50 | 206 | 100 | 130 | 145 | 180 | 9 | 210 | 8 | 113 768 415 | 113 768 465 |

Bend

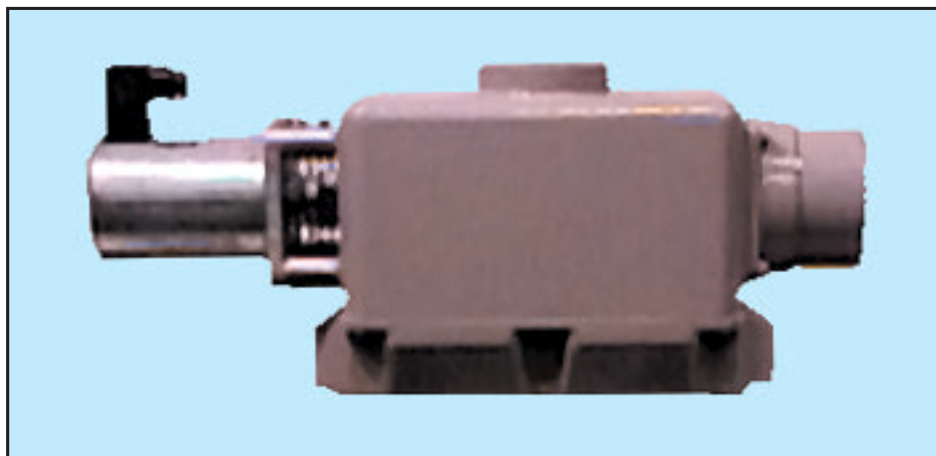


| Type | A | d1 | d2 | d3 | d4 | Article number |
|------|-----|-----|-----|-----|----|----------------|
| SC10 | 67 | 45 | 68 | 80 | 6 | 113 760 283 |
| SC20 | 67 | 45 | 68 | 80 | 6 | 113 760 285 |
| SC30 | 86 | 55 | 85 | 100 | 7 | 113 760 286 |
| SC40 | 105 | 75 | 110 | 130 | 9 | 113 760 287 |
| SC50 | 153 | 100 | 130 | 145 | 9 | 113 760 288 |

Automatic reversing valve

Motor driven automatic reversing valve in cast aluminium mounted directly on the side channel blower. The reversing valve allows reversing from pressure to vacuum in the shortest possible time without having to change the direction of rotation of the blower.

Automatic reversing valve can be supplied on request.





| | |
|-------------------------|------------|
| SILENT | 218 |
| DECOR | 220 |
| EDM | 222 |
| EB-100, EBB-175, | |
| EBB-250 | 224 |
| EBB-170 N | |
| EBB-250 N | 225 |
| TDM | 226 |
| HTB | 227 |

In-Line Fans

Axial-flow Fans Wall Versions

Axial-flow Fans Cased Versions

Roof Fans

Fans "ATEX"

Centrifugal Fans VISP/VASP

Centrifugal Fans

Side Channel Blowers

Chip Extractors

Domestic Fans

Accessories

Electric Diagrams

General Information

Index

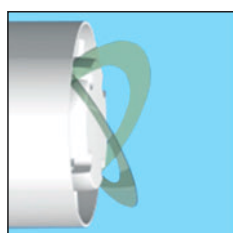


In-line axial extraction fans for ventilation in bathrooms, wash-rooms, garages, storages, etc. The SILENT series fans are designed to extract the maximum airflow with the lowest possible level of noise and vibrations. The SILENT is suitable for wall or ceiling mounting and can either discharge directly to the outside or via an individual ducting system. The extractor is designed for single phase supply, with 230V and 50Hz. The units (except SILENT 100 12V) are manufactured with double electrical insulation (Class II) and have enclosure IP45.



The silent block

Silent-blocks using highly resistant components which can absorb the vibrations generated by the motor.



Anti-return gate

All versions of the SILENT extractor incorporate motors with ball bearings to ensure a long life with maximum functionality as well as anti-return gate to prevent air coming in from the outside when the fan is idle.

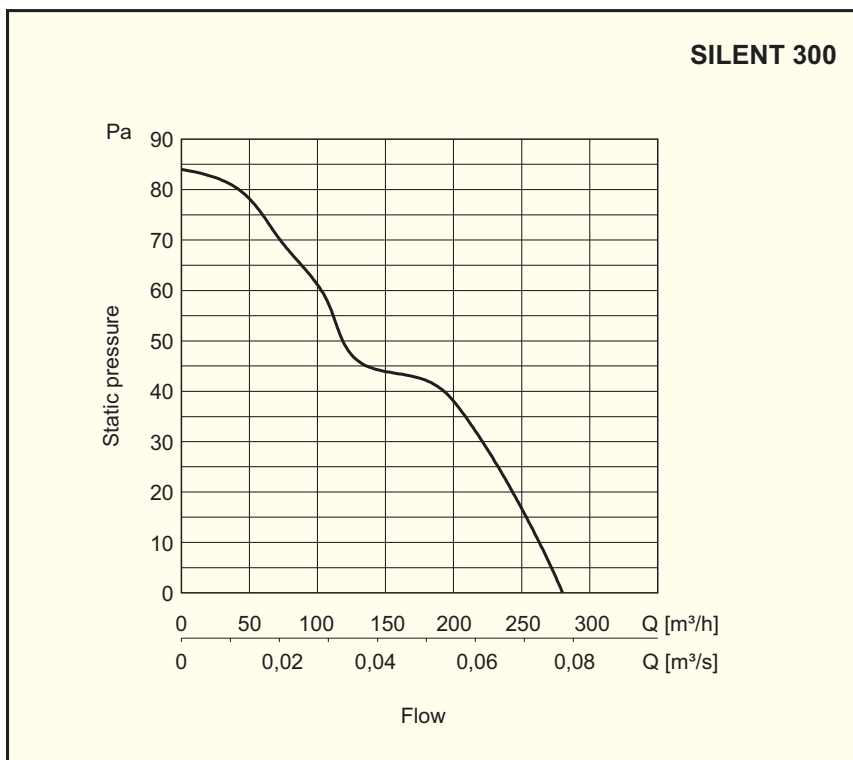
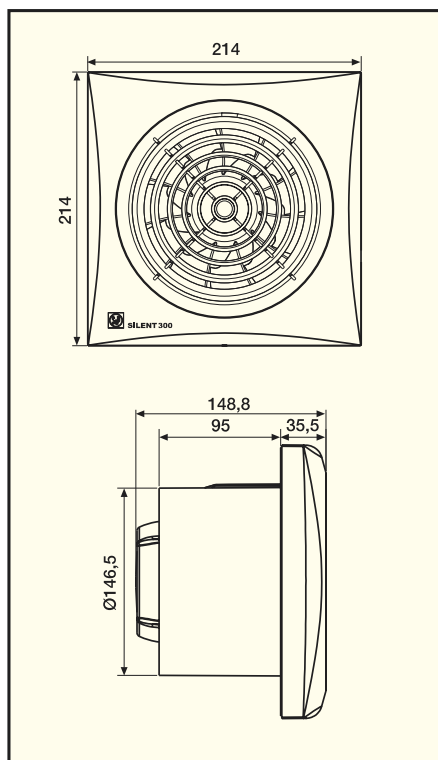
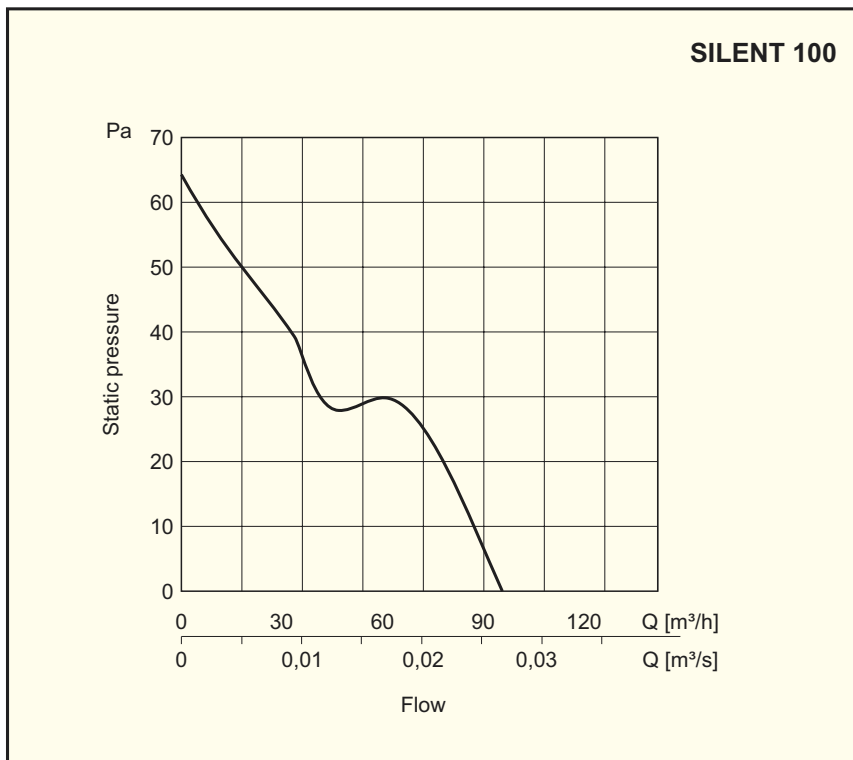
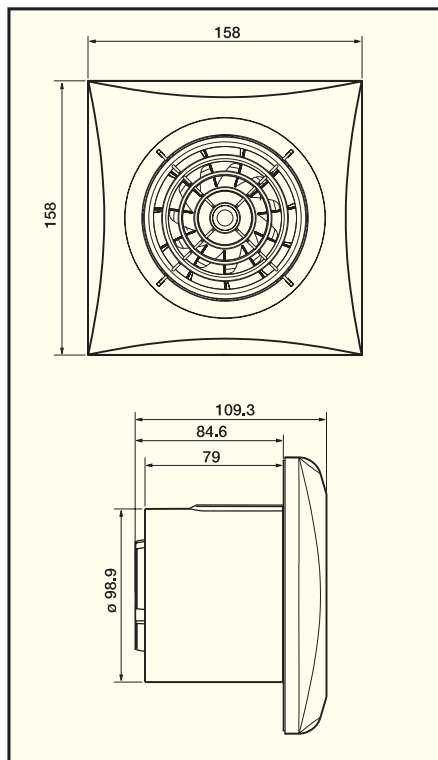
Data

| Type | Speed rpm | Motor power W | Voltage V | Sound pressure level dB(A) | Flow m³/h | Enclosure IP | Weight kg |
|-----------------|--------------|---------------------|--------------|----------------------------------|--------------|-----------------|--------------|
| SILENT 100 | 2400 | 8 | 230 | 26,5 | 95 | II / IP45 | 0,57 |
| SILENT 100 12V | 2400 | 8 | 12 | 26,5 | 95 | / IP57 | 0,57 |
| SILENT 300 | 1700 | 17 | 230 | 30 | 280 | II / IP45 | 1,25 |
| SILENT 300 PLUS | 2000 | 29 | 230 | 36 | 320 | II / IP45 | 1,65 |

Features

| | 100 | | | | | 300 | | | | |
|-----------------------|-----|-----|-----|-----|---------|-----|-----|-----|---------|----------|
| | CZ | CRZ | CHZ | CDZ | CZ(12V) | CZ | CRZ | CHZ | CZ PLUS | CRZ PLUS |
| Pilot lamp | • | • | • | • | • | • | • | • | • | • |
| Anti-return gate | • | • | • | • | • | • | • | • | • | • |
| Adjustable timer | | • | • | • | | | • | • | | • |
| Adjustable humidistat | | | • | | | | | • | | |
| Movement detector | | | | • | | | | | | |
| Ball bearings | • | • | • | • | • | • | • | • | • | • |

Dimensions in mm





In-line fans designed for ventilation in bathrooms, wash-rooms, garages, stores, etc. Especially designed for installation in ducts 1-2 m max. connected to the fan.

- Low sound level
- Suite ventilation ducts Ø100mm (DECOR-100), Ø125mm (DECOR-200) and Ø150mm (DECOR-300)
- Can be installed both vertically and horizontally.

Fan with timer

When installed in bathrooms or shower-rooms it is best done to let the fan keep on running after it has been switched off, to ventilate the air from damp, bad smell etc. The timer is adjustable from 2-20 min.

Fan with automatic shutter

When installed in outer wall it is best done with an automatic shutter to prevent incoming cold air when the fan is switched off.

Fan with adjustable hygrostat

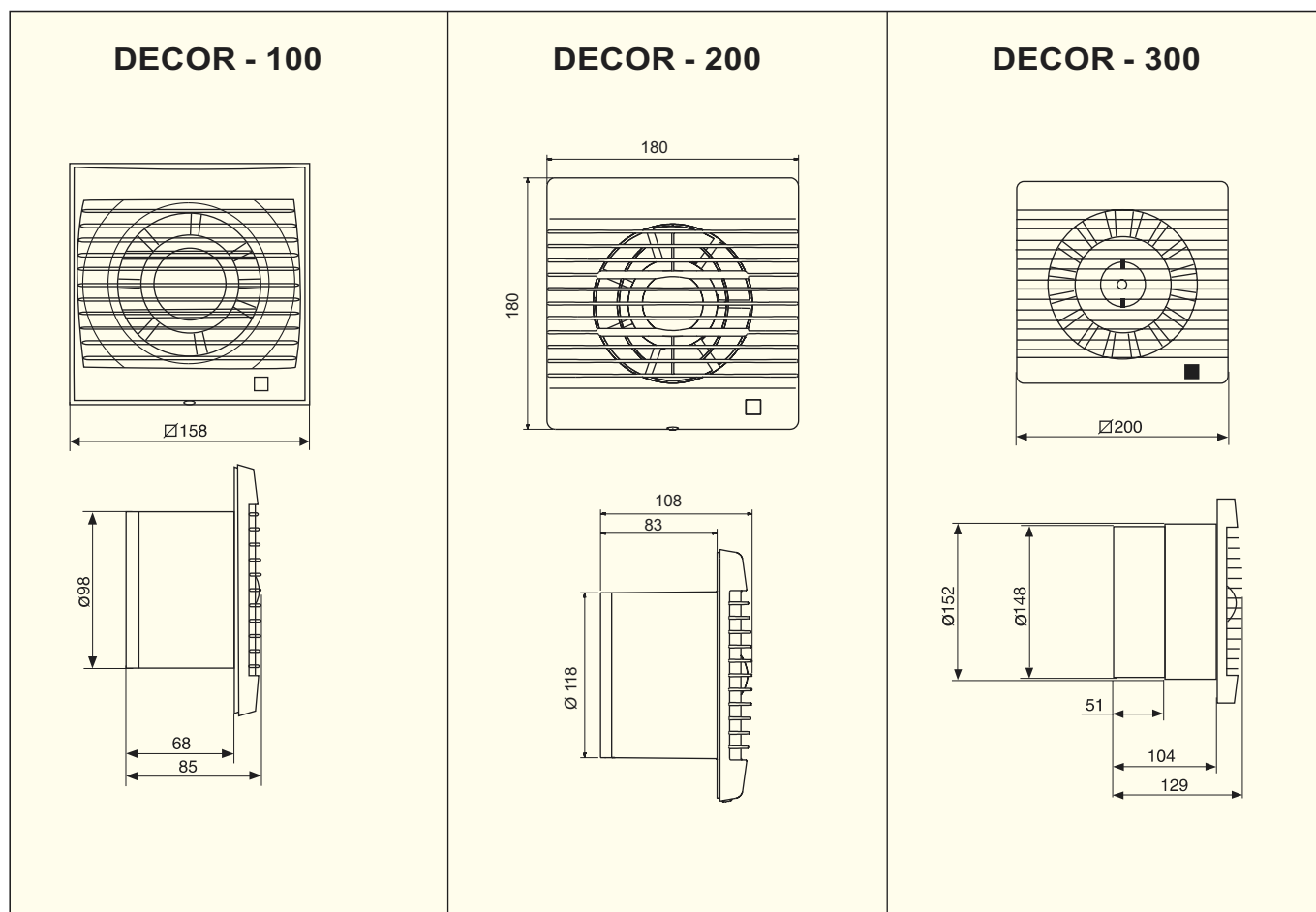
For installation where automatic start of the fan is required when the humidity level in the room is above the setting value.

Wiring diagram, see page 234.

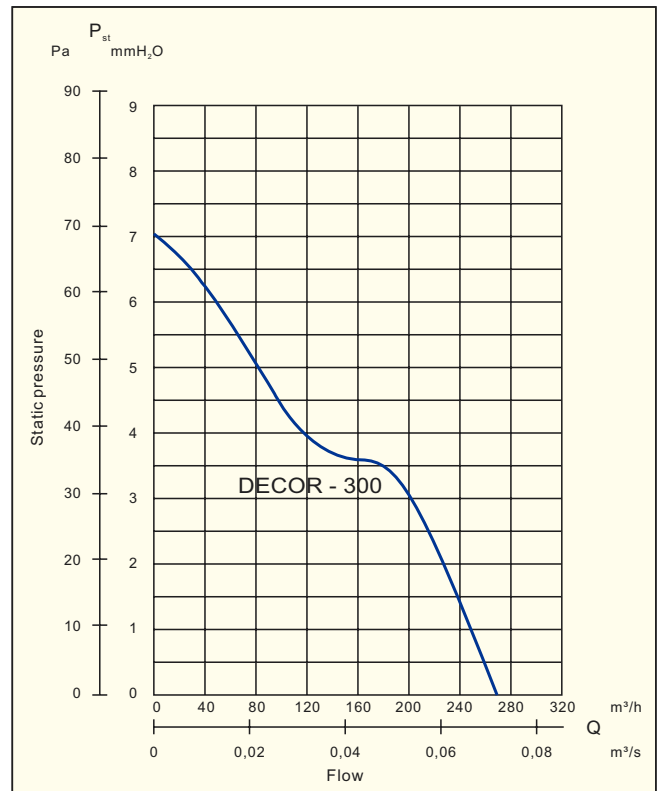
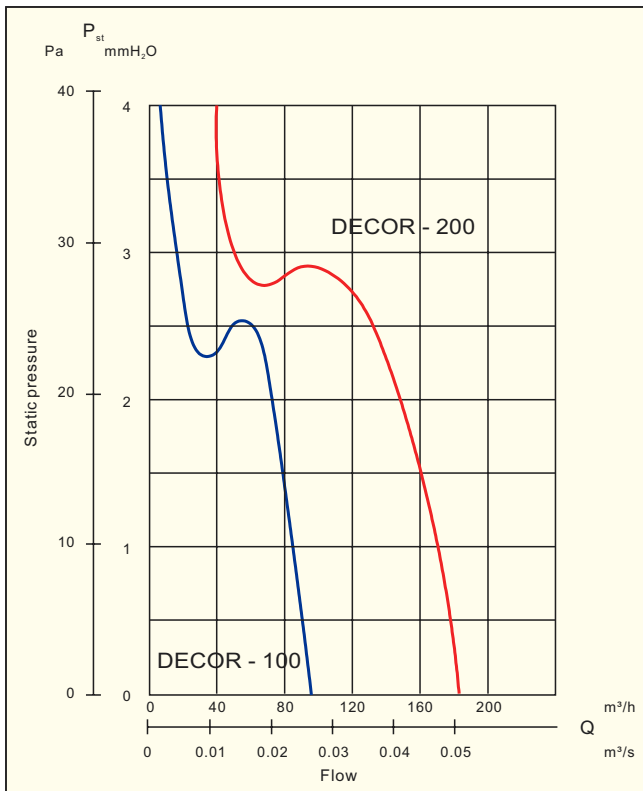
Data

| Type | Speed rpm | Motor power W | Voltage V | Maximum duty m³/h | Maximum pressure Pa | Sound pressure level dB (A) | Weight kg |
|-----------|-----------|---------------|-----------|-------------------|---------------------|-----------------------------|-----------|
| DECOR 100 | 2500 | 13 | 230 | 95 | 40 | 40 | 0,44 |
| DECOR 200 | 2500 | 20 | 230 | 185 | 40 | 46 | 0,80 |
| DECOR 300 | 2200 | 35 | 230 | 280 | 70 | 47 | 1,44 |

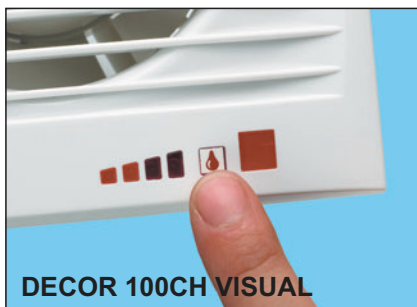
Dimensions in mm



Performance curves



| Feature | DECOR-100 | | | | DECOR-200 | | | DECOR-300 | | | | | |
|-----------------------|-----------|-----|-----|-----|-----------|-----|-----|-----------|----|----|----|-----|-----|
| | CZ | CRZ | CHZ | CDZ | CZ | CRZ | CHZ | SZ | RZ | HZ | CZ | CRZ | CHZ |
| Pilot lamp | • | • | • | • | • | • | • | • | • | • | • | • | • |
| Adjustable timer | | • | • | • | | • | • | | • | • | | • | • |
| Automatic shutter | • | • | • | • | • | • | • | | | | • | • | • |
| Adjustable humidistat | | | • | | | | • | | | • | | | • |
| Movement detector | | | | • | | | | | | | | | |



DECOR 100CZH VISUAL incorporates a timer that can be regulated between 1 and 30 minutes and a hygrosat that can be regulated to 60, 70, 80 or 90% Relative Humidity, selected using a key situated on the exterior of the apparatus/in the exterior. 4 luminous indicators show the desired level of humidity.

The DECOR 100CRZ “Night” is especially suitable for those situations where night-time operation could be a nuisance: hospitals, residences, hotels and for the people who are light-sleepers.

When the key  is pressed, the apparatus functions in the following way:

- The apparatus will not start for the first 50 seconds, after connection.
- If the extractor is connected for more than 50 seconds, the extractor will start, stopping when the light is switched off.





EDM 100, 200



EDM 80 N

In-line fans designed for ventilation in bathrooms, wash-houses, garages, stores, etc. Especially designed for installation in ducts 1-2 m max. connected to the fan.

- Aesthetically attractive
- Low sound level
- Suite ventilation ducts Ø90mm (EDM-80), Ø100mm (EDM-100), Ø120mm (EDM-200).
- Can be installed both vertically and horizontally.

Fan with timer

When installed in bathrooms or shower-rooms it is best done to let the fan keep on running after it has been switched off, to ventilate the air from damp, bad smell, etc.

T - none adjustable timer (approx. 8min)

R - adjustable timer (approx 2-20min)

Fan with automatic shutter

When installed in outer wall it is best done with an automatic shutter to prevent incoming cold air when the fan is switched off.

Fan with adjustable hygrostat

For installation where automatic start of the fan is required when the humidity level in the room is above the setting value.

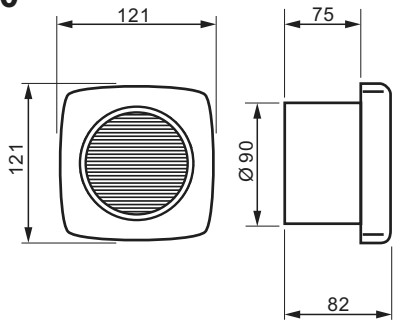
Wiring diagram, see page 234.

Data

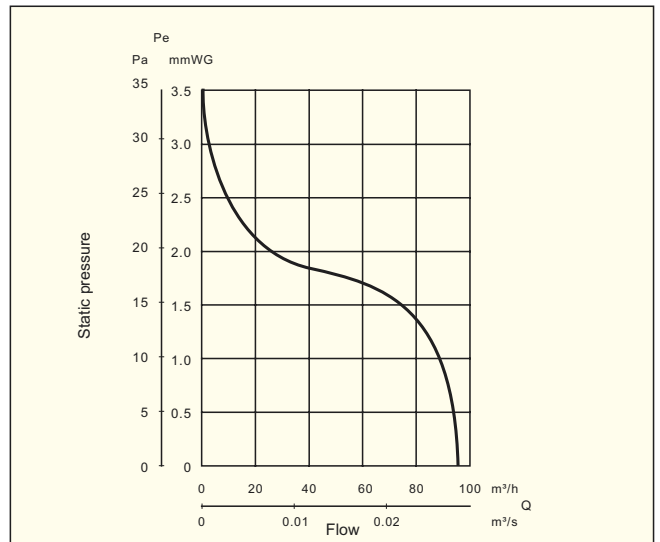
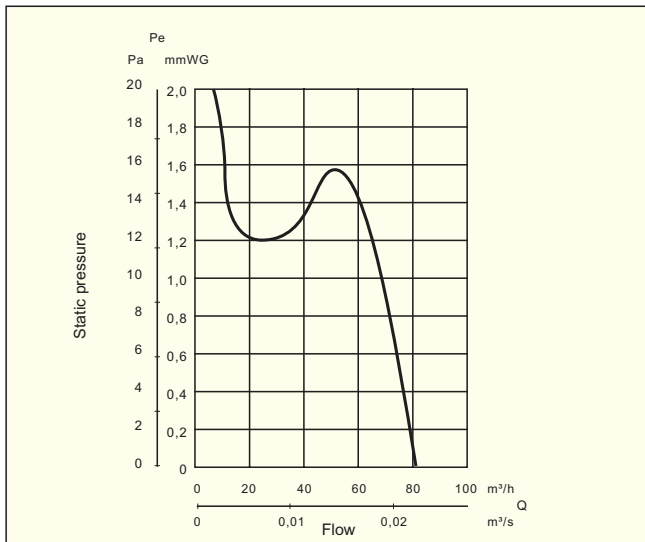
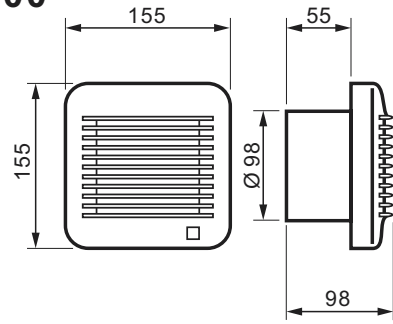
| Type | Speed rpm | Motor power W | Voltage V | Maximum current A | Maximum duty m ³ /h | Pressure max Pa | Sound pressure level dB (A) | Weight kg |
|---------|--------------|---------------------|--------------|-------------------------|--------------------------------------|-----------------------|-----------------------------------|--------------|
| EDM-80 | 2350 | 9 | 230 | 0,07 | 80 | 24 | 33 | 0,4 |
| EDM-100 | 2450 | 13 | 230 | 0,08 | 95 | 33 | 40 | 0,5 |
| EDM-200 | 2500 | 25 | 230 | 0,15 | 180 | 50 | 46 | 0,9 |

| Features | EDM-80 | | EDM-100 | | | | | | | | | EDM-200 | | | | | |
|----------------------|--------|-----|---------|----|----|----|-----|----|-----|-----|-----|---------|----|----|----|-----|-----|
| | NZ | NTZ | SZ | TZ | HZ | CZ | CTZ | MZ | ECZ | CHZ | VMZ | SZ | TZ | HZ | CZ | CTZ | CHZ |
| Pilot lamp | • | • | | • | • | • | • | • | • | • | • | | • | • | • | • | • |
| Timer | | • | | • | | | • | | | | | | • | | | • | |
| Adjustable timer | | | | | | | | | • | | | | | | | | |
| Automatic shutter | | | | | | • | • | • | • | • | • | | | | • | • | • |
| Photoelectric cell | | | | | | | | | • | | | | | | | | |
| Adjustable hygrostat | | | | | • | | | | | • | | | | • | | | • |
| Pullcord switch | | | | | • | | | • | | • | | | | • | | | • |
| Adaption for glass | | | | | | | | | | | • | | | | | | |
| Ball bearings | • | • | • | • | • | • | • | • | • | • | • | • | • | • | • | • | • |

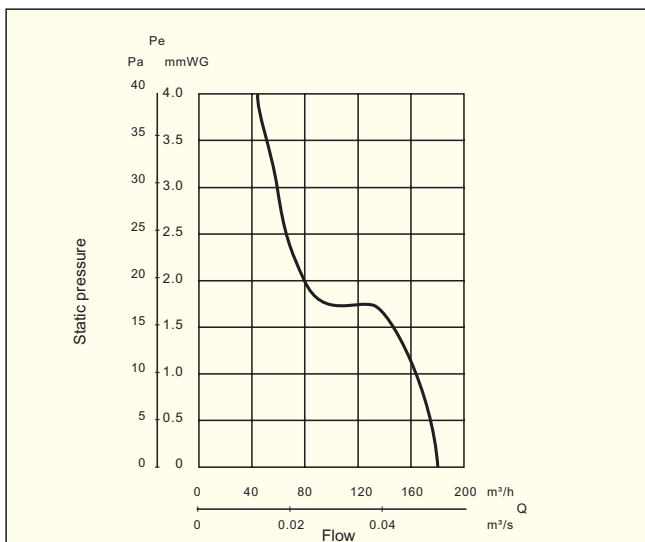
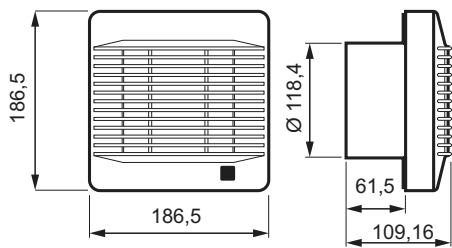
EDM 80



EDM 100



EDM 200

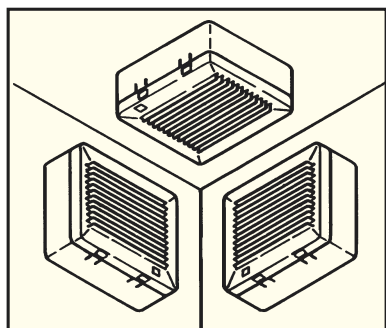




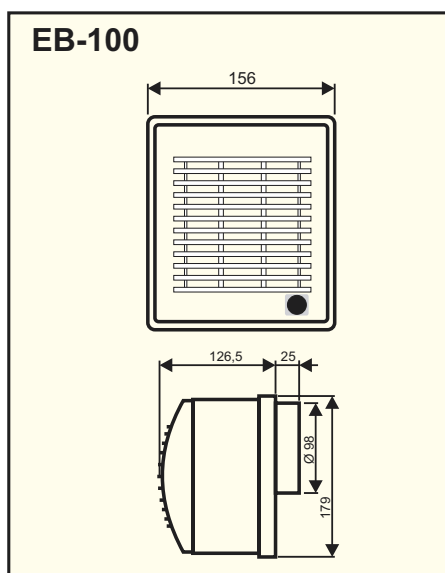
EBB-175, EBB-250



EB-100
Installation



Dimensions in mm



In-line fans with ball bearings, high pressure and large flow capacity, which make them especially suited for multi-store buildings and hard ventilation conditions.

EB-100T, EB-175T and EBB-250T have built-in electronic timer and adjustable hygrosat. The fan keeps on running (adjustable 2-20 minutes) after switching off.

EB-100HT has built-in electronic timer and adjustable hygrosat, to set automatic start when the humidity level.

- Ascetically attractive
- Low sound level
- Suite ventilation ducts Ø100mm
- Built-in an automatic shutter to prevent incoming cold air when the fan is switched off.
- Can be installed both vertically and horizontally

Wiring diagram, see page 234.

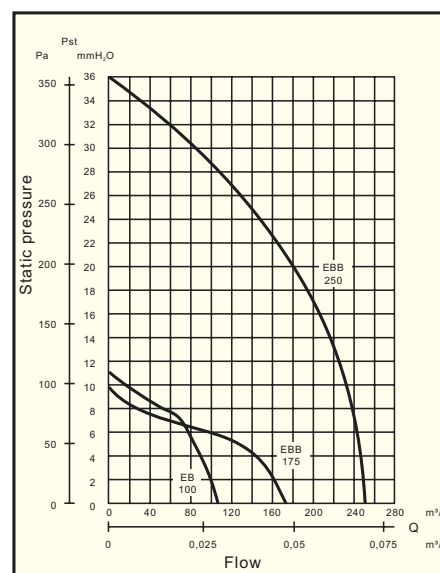
Technical specification

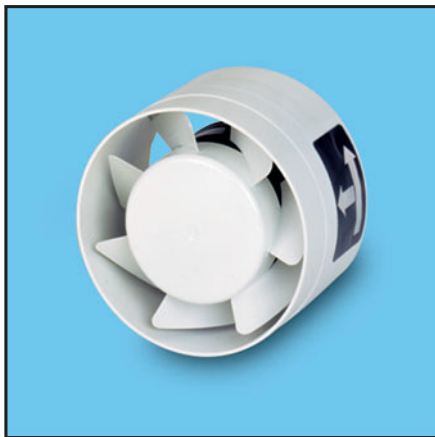
| Type | EB-100 | EBB-175 | EBB-250 |
|----------------------------------|--------|---------|---------|
| Speed (rpm) | 2250 | 1300 | 1800 |
| Motor power (W) | 30 | 30 | 89 |
| Voltage (V) | 230 | 230 | 230 |
| Maximum current (A) | 0,24 | 0,24 | 0,75 |
| Maximum flow (m ³ /h) | 110 | 175 | 250 |
| Pressure max. (Pa) | 110 | 100 | 350 |
| Sound level (dBA) | 46 | 46 | 52 |
| Weight (kg) | 1,1 | 2,2 | 2,2 |

Accessories

| Model | 100S | 100T | 175S | 175T | 250S | 250T |
|------------|------|------|------|------|------|------|
| Pilot lamp | • | • | • | • | • | • |
| Timer | | • | | • | | • |

Performance curves





In-line fan of plastic designed for direct installation in short ventilation ducts with Ø100mm or Ø125mm.

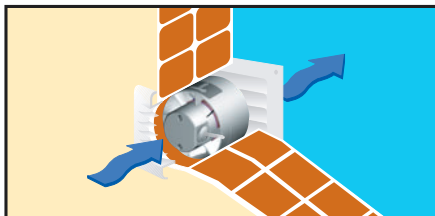
Low sound level

Easy installation

Can be installed both vertically and horizontally

Wiring diagram, see page 234.

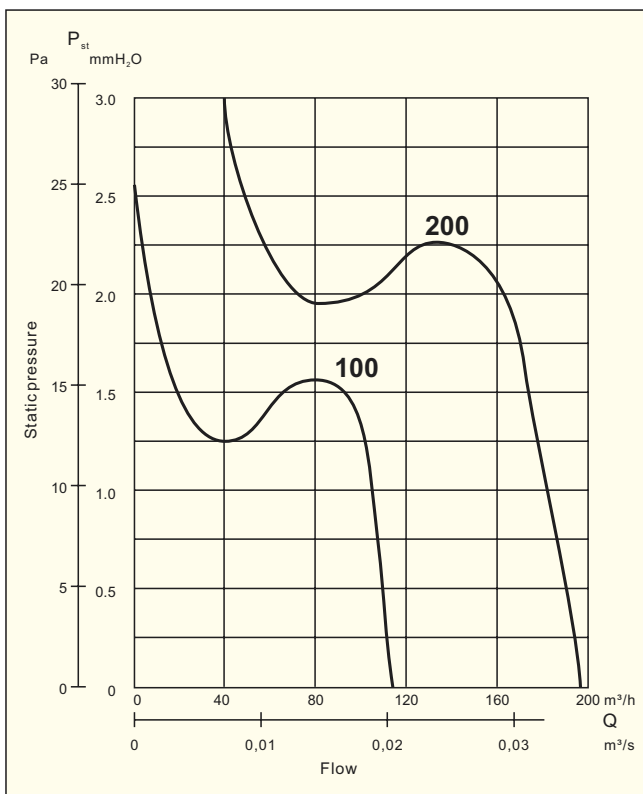
Installation



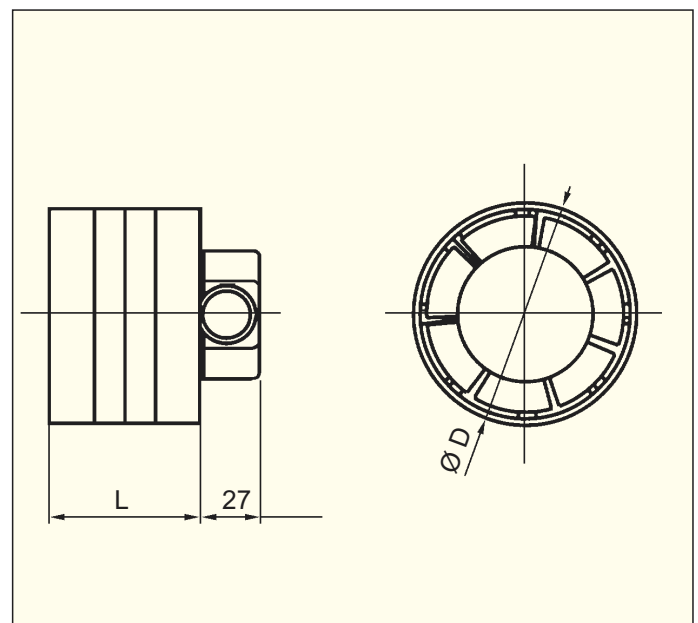
Data

| Type | Speed rpm | Motor power W | Voltage V | Maximum flow m ³ /h | Sound pressure level dB (A) | Weight kg | Article number |
|---------|-----------|---------------|-----------|--------------------------------|-----------------------------|-----------|----------------|
| TDM-100 | 2500 | 13 | 230 | 110 | 40 | 0,4 | 112 202 055 |
| TDM-200 | 2600 | 25 | 230 | 200 | 44,5 | 0,6 | 112 202 057 |

Performance curves



Dimensions in mm



| Type | ØD | L |
|---------|-----|------|
| TDM-100 | 99 | 67,5 |
| TDM-200 | 118 | 78 |



Ceiling Fan HTB

Silent ceiling fan with single-phase motor 230V, 50Hz. Variable speed control with electronic regulator or transformer. Enclosure IP44. Insulation class B. Blades in sheet steel coated in white epoxy paint, casing in plastic. The fan can be used for equalization of temperature in high depots.

Accessories

Variable speed controls

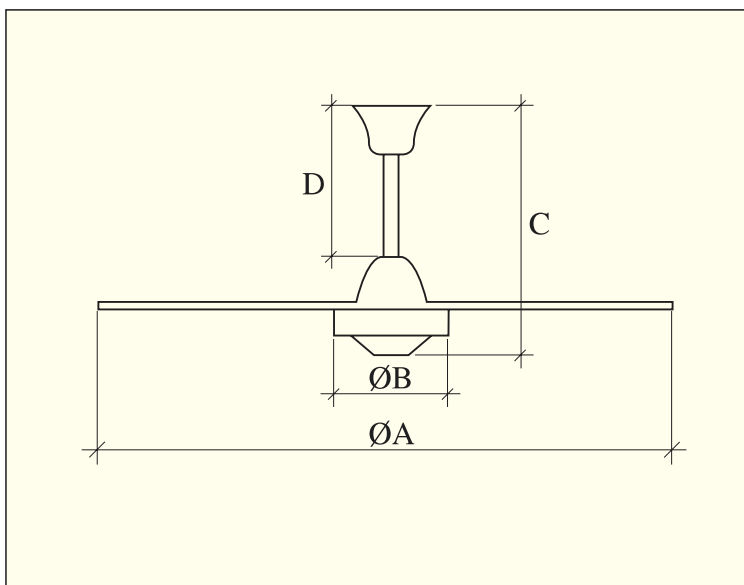


Technical specification

| Type | Speed rpm | Motor power W | Voltage V | Maximum duty m³/h | Sound level dB (A) | Weight kg | Article number |
|----------|-----------|---------------|-----------|-------------------|--------------------|-----------|----------------|
| HTB-75S | 290 | 55 | 230 | 6400 | 45 | 4,3 | 112 206 001 |
| HTB-90S | 240 | 60 | 230 | 8650 | 46 | 4,5 | 112 206 051 |
| HTB-150S | 180 | 70 | 230 | 12600 | 47 | 8,2 | 112 206 101 |

Dimensions in mm

| Type | D | C | ØB | ØA |
|-----------|-----|-----|-----|------|
| HTB- 75 N | 210 | 395 | 175 | 800 |
| HTB- 90 N | 210 | 395 | 175 | 1000 |
| HTB-150 N | 210 | 410 | 195 | 1405 |



По вопросам продаж и поддержки обращайтесь:

Архангельск (8182)63-90-72
Астана +7(7172)727-132
Белгород (4722)40-23-64
Брянск (4832)59-03-52
Владивосток (423)249-28-31
Волгоград (844)278-03-48
Вологда (8172)26-41-59
Воронеж (473)204-51-73
Екатеринбург (343)384-55-89
Иваново (4932)77-34-06
Ижевск (3412)26-03-58
Казань (843)206-01-48

Калининград (4012)72-03-81
Калуга (4842)92-23-67
Кемерово (3842)65-04-62
Киров (8332)68-02-04
Краснодар (861)203-40-90
Красноярск (391)204-63-61
Курск (4712)77-13-04
Липецк (4742)52-20-81
Магнитогорск (3519)55-03-13
Москва (495)268-04-70
Мурманск (8152)59-64-93
Набережные Челны (8552)20-53-41

Нижний Новгород (831)429-08-12
Новокузнецк (3843)20-46-81
Новосибирск (383)227-86-73
Орел (4862)44-53-42
Оренбург (3532)37-68-04
Пенза (8412)22-31-16
Пермь (342)205-81-47
Ростов-на-Дону (863)308-18-15
Рязань (4912)46-61-64
Самара (846)206-03-16
Санкт-Петербург (812)309-46-40
Саратов (845)249-38-78

Смоленск (4812)29-41-54
Сочи (862)225-72-31
Ставрополь (8652)20-65-13
Тверь (4822)63-31-35
Томск (3822)98-41-53
Тула (4872)74-02-29
Тюмень (3452)66-21-18
Ульяновск (8422)24-23-59
Уфа (347)229-48-12
Челябинск (351)202-03-61
Череповец (8202)49-02-64
Ярославль (4852)69-52-93